

# MA4SPS402

**SURMOUNT™ PIN Diode**  
**RoHS Compliant**

Rev V6

## Features

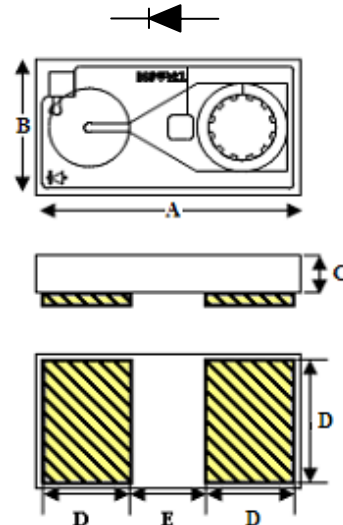
- ◆ Surface Mount
- ◆ No Wire Bonding Required
- ◆ Rugged Silicon-Glass Construction
- ◆ Silicon Nitride Passivation
- ◆ Polymer Scratch Protection
- ◆ Low Parasitic Capacitance and Inductance
- ◆ Higher Average and Peak Power Handling
- ◆ RoHS Compliant

## Description

This device is a Silicon-Glass PIN diode chip fabricated with M/A-COM Technology Solutions patented HMIC™ process. This device features two silicon pedestals embedded in a low loss, low dispersion glass. The diode is formed on the top of one pedestal and connections to the backside of the device are facilitated by making the pedestal sidewalls electrically conductive. Selective backside metallization is applied producing a surface mount device. This vertical conic topology provides for exceptional heat transfer from the active area. The topside is fully encapsulated with silicon nitride and has an additional polymer layer for scratch and impact protection. These protective coatings prevent damage to the junction and the anode air-bridge during handling and assembly.

## Applications

These surmount devices are suitable for usage in moderate incident power (5W C.W.) or higher incident peak power (50W) series, shunt, or series-shunt switches. Lower parasitic inductance, 0.45nH, and excellent RC constant (0.23pS), make the devices ideal for higher frequency switch elements compared to their plastic device counterparts.



1. Backside metal: 0.1 μM thick.
2. Yellow hatched areas indicate backside ohmic gold

DIM	INCHES		MM	
	Min.	Max.	Min.	Max.
A	0.046	0.051	1.170	1.290
B	0.017	0.021	0.432	0.533
C	0.004	0.006	0.102	0.203
D	0.015	0.017	0.381	0.432
E	0.014	0.016	0.356	0.406

## Absolute Maximum Ratings @ T<sub>AMB</sub> = 25°C (unless otherwise specified)

Parameter	Absolute Maximum
Forward Current	250mA
Reverse Voltage	-100V
Operating Temperature	-55°C to +125°C
Storage Temperature	-55 °C to +150°C
Junction Temperature	+175°C
Dissipated Power ( RF & DC )	1W
Mounting Temperature	+280°C for 30 seconds

**ADVANCED:** Data Sheets contain information regarding a product MA-COM Technical Solutions is considering for development. Performance is based on target specifications, simulated results, and/or prototype measurements. Commitment to develop is not guaranteed.

**PRELIMINARY:** Data Sheets contain information regarding a product MA-COM Technical Solutions has under development. Performance is based on engineering tests. Specifications are typical. Mechanical outline has been fixed. Engineering samples and/or test data may be available. Commitment to produce in volume is not guaranteed.

• **North America** Tel: 800.366.2266 • **Europe** Tel: +353.21.244.6400  
 • **India** Tel: +91.80.43537383 • **China** Tel: +86.21.2407.1588  
 Visit [www.macomtech.com](http://www.macomtech.com) for additional data sheets and product information.

MA-COM Technical Solutions and its affiliates reserve the right to make changes to the product(s) or information contained herein without notice.

## Electrical Specifications @ T<sub>AMB</sub> = +25°C

Symbol	Conditions	Units	Min.	Typical	Max.
C <sub>T</sub> <sup>1,3</sup>	-40V, 1MHz	pF		0.055	0.06
C <sub>T</sub> <sup>1,3</sup>	-40V, 1GHz	pF		0.045	
R <sub>S</sub> <sup>2,3</sup>	10mA, 1GHz	Ω		5.0	5.8
V <sub>F</sub>	10mA	V		0.90	1.00
V <sub>R</sub>	-10μA	V	-70	-100	
I <sub>R</sub>	-70V	μA		-0.1	-10
R <sub>θJL</sub> <sup>4</sup>	I <sub>H</sub> =1A, I <sub>L</sub> =10mA	°C/W		150	
T <sub>L</sub>	+10mA / -6mA ( 50% - 90% V )	nS		200	400

1. Total Capacitance, C<sub>T</sub>, is equivalent to the sum of Junction Capacitance and Parasitic Capacitance.  
C<sub>T</sub> = C<sub>J</sub> (Junction Capacitance) + C<sub>PAR</sub> (Parasitic Capacitance)
2. Series resistance R<sub>S</sub> is equivalent to the total diode resistance:  
R<sub>S</sub> = R<sub>J</sub> (Junction Capacitance Junction Resistance) + R<sub>O</sub> (Ohmic Resistance)
3. R<sub>S</sub> and C<sub>T</sub> are measured on an HP4291A Impedance Analyzer with die mounted in an ODS-186 package with conductive silver epoxy.
4. Steady-state R<sub>θJL</sub> measured with die mounted in an ODS-186 package with conductive silver epoxy.

**ADVANCED:** Data Sheets contain information regarding a product MA-COM Technical Solutions is considering for development. Performance is based on target specifications, simulated results, and/or prototype measurements. Commitment to develop is not guaranteed.

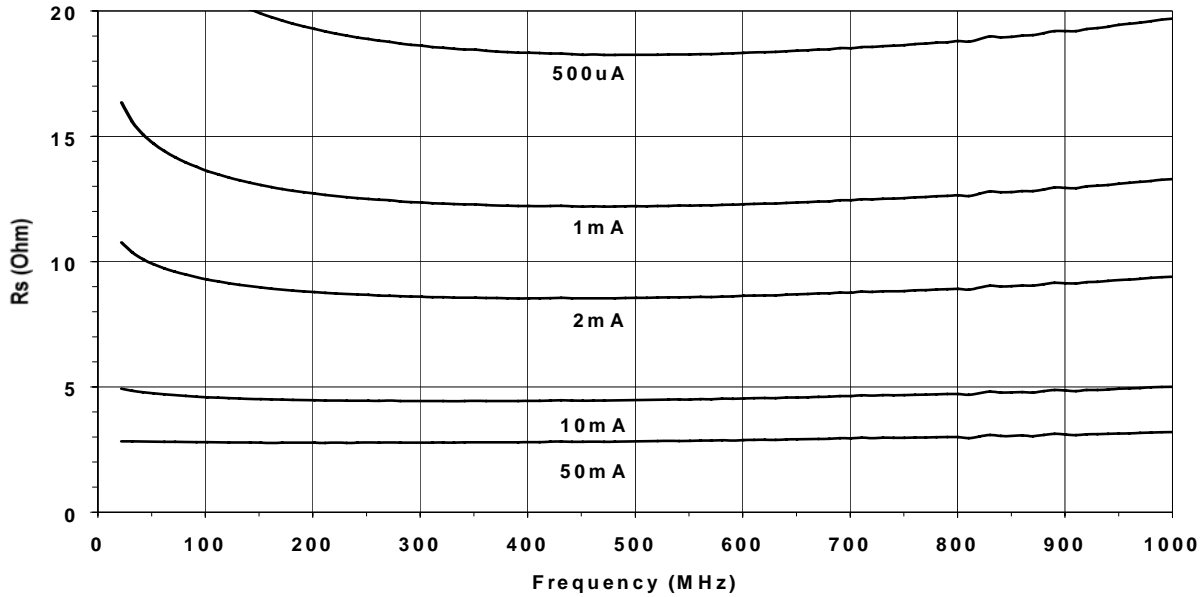
**PRELIMINARY:** Data Sheets contain information regarding a product MA-COM Technical Solutions has under development. Performance is based on engineering tests. Specifications are typical. Mechanical outline has been fixed. Engineering samples and/or test data may be available. Commitment to produce in volume is not guaranteed.

• North America Tel: 800.366.2266 • Europe Tel: +353.21.244.6400  
• India Tel: +91.80.43537383 • China Tel: +86.21.2407.1588  
Visit [www.macomtech.com](http://www.macomtech.com) for additional data sheets and product information.

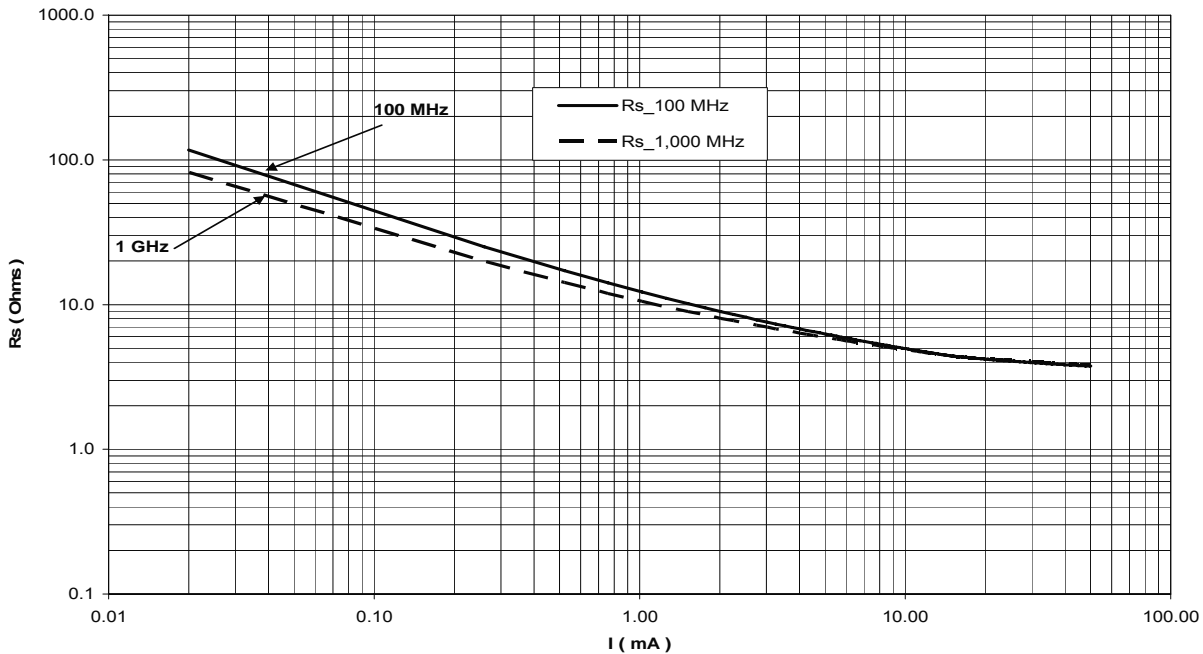
MA-COM Technical Solutions and its affiliates reserve the right to make changes to the product(s) or information contained herein without notice.

## MA4SPS402 Typical RF Performance @ T<sub>AMB</sub> +25°C

R<sub>s</sub> as a Function of Forward Current and Frequency



MA4SPS402 R<sub>s</sub> vs I at 100 MHz and 1,000 MHz



**ADVANCED:** Data Sheets contain information regarding a product MA-COM Technical Solutions is considering for development. Performance is based on target specifications, simulated results, and/or prototype measurements. Commitment to develop is not guaranteed.

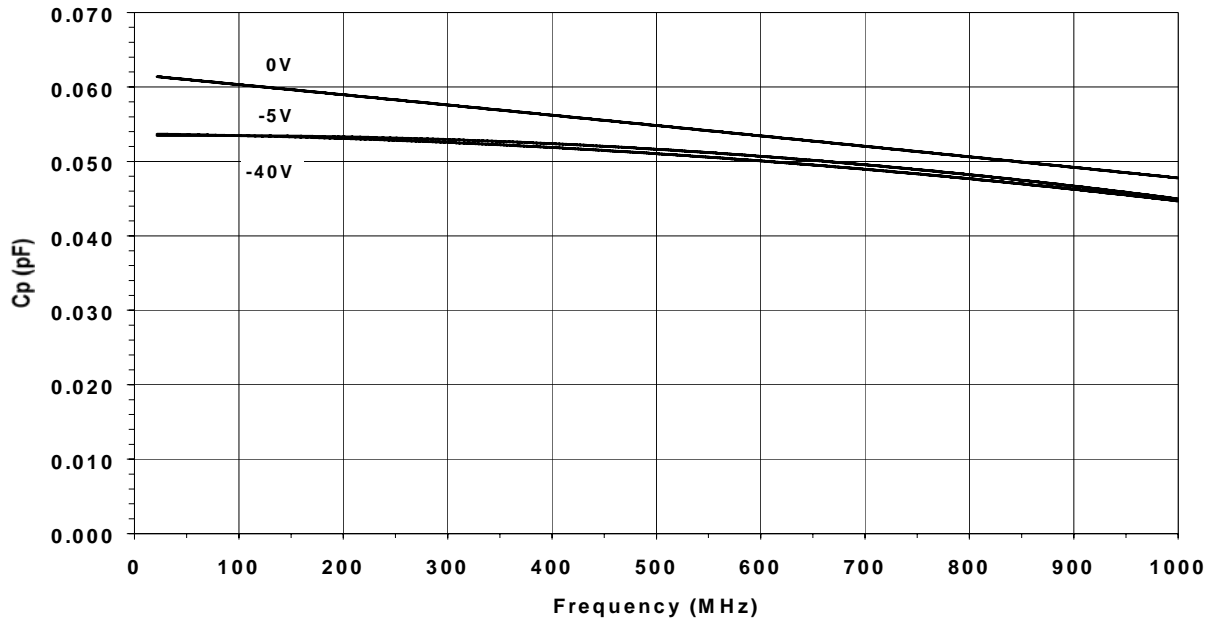
**PRELIMINARY:** Data Sheets contain information regarding a product MA-COM Technical Solutions has under development. Performance is based on engineering tests. Specifications are typical. Mechanical outline has been fixed. Engineering samples and/or test data may be available. Commitment to produce in volume is not guaranteed.

• North America Tel: 800.366.2266 • Europe Tel: +353.21.244.6400  
 • India Tel: +91.80.43537383 • China Tel: +86.21.2407.1588  
 Visit [www.macomtech.com](http://www.macomtech.com) for additional data sheets and product information.

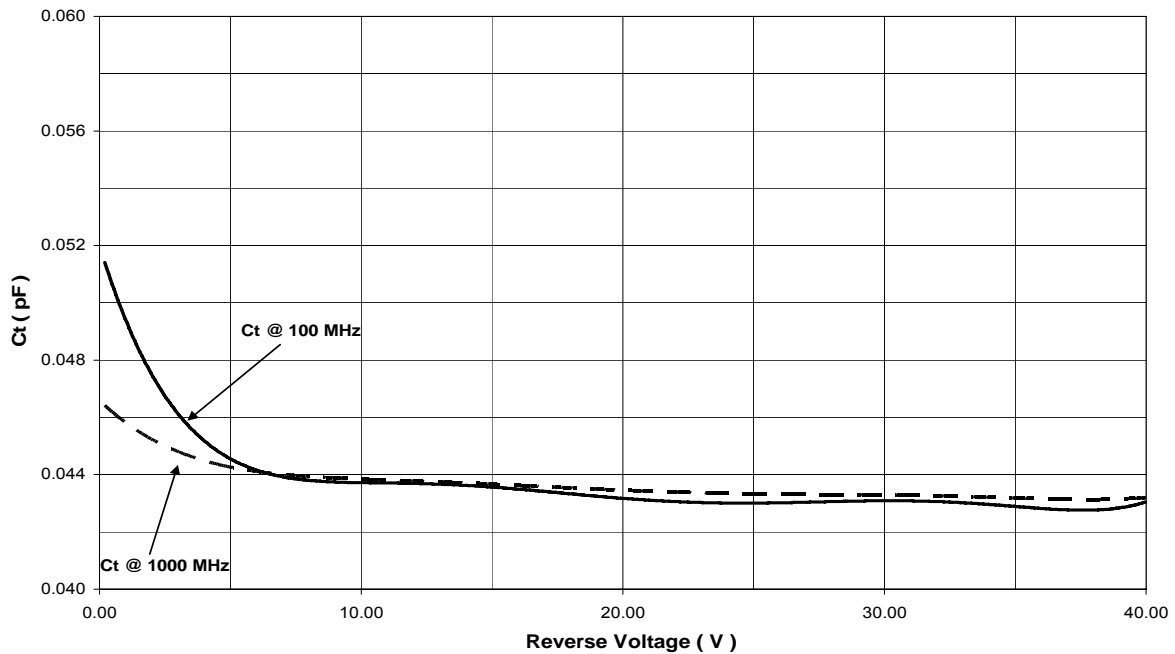
MA-COM Technical Solutions and its affiliates reserve the right to make changes to the product(s) or information contained herein without notice.

## MA4SPS402 Typical RF Performance @ $T_{AMB} +25^{\circ}C$

$C_T$  as a Function of Reverse Voltage and Frequency



MA4SPS402  $C_t$  vs V at 100 MHz and 1,000 MHz



**ADVANCED:** Data Sheets contain information regarding a product MA-COM Technical Solutions is considering for development. Performance is based on target specifications, simulated results, and/or prototype measurements. Commitment to develop is not guaranteed.

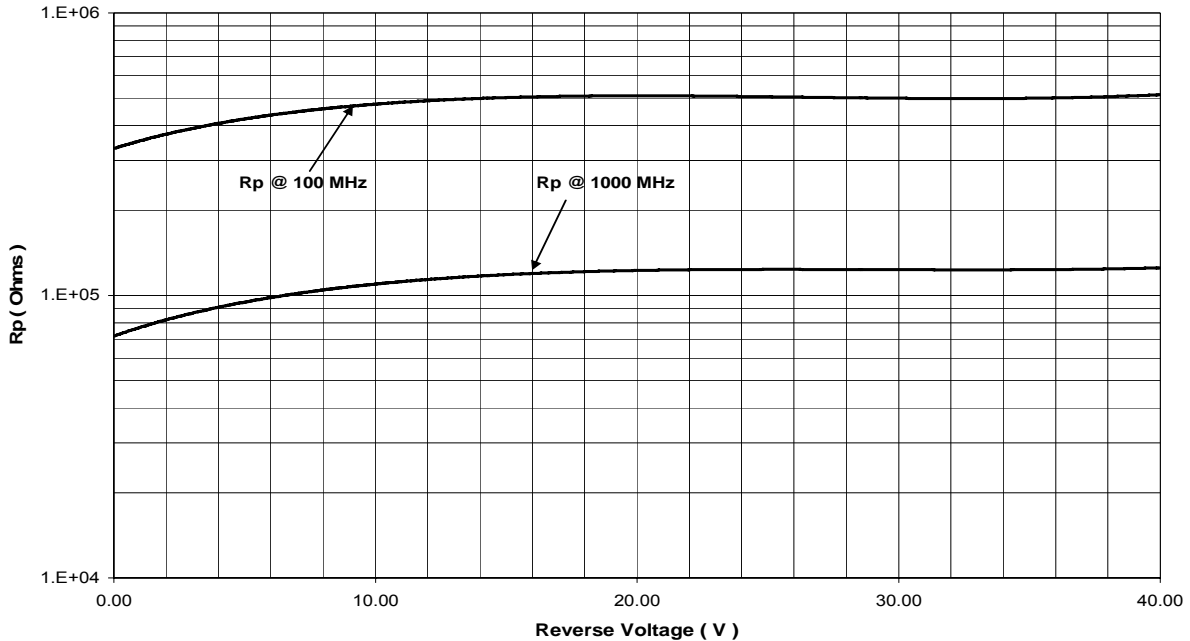
**PRELIMINARY:** Data Sheets contain information regarding a product MA-COM Technical Solutions has under development. Performance is based on engineering tests. Specifications are typical. Mechanical outline has been fixed. Engineering samples and/or test data may be available. Commitment to produce in volume is not guaranteed.

• North America Tel: 800.366.2266 • Europe Tel: +353.21.244.6400  
• India Tel: +91.80.43537383 • China Tel: +86.21.2407.1588  
Visit [www.macomtech.com](http://www.macomtech.com) for additional data sheets and product information.

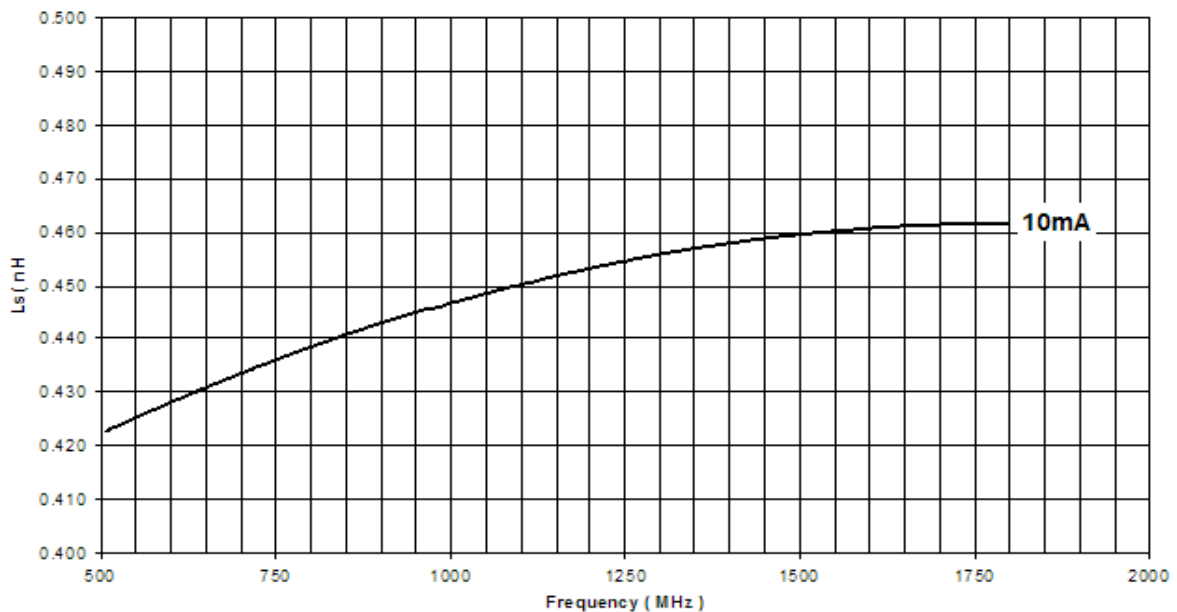
MA-COM Technical Solutions and its affiliates reserve the right to make changes to the product(s) or information contained herein without notice.

## $R_p$ as a Function of Reverse Voltage and Frequency

MA4SPS402  $R_p$  vs V at 100 MHz and 1,000 MHz



## $L_s$ as a Function of Forward Current and Frequency



**ADVANCED:** Data Sheets contain information regarding a product MA-COM Technical Solutions is considering for development. Performance is based on target specifications, simulated results, and/or prototype measurements. Commitment to develop is not guaranteed.

**PRELIMINARY:** Data Sheets contain information regarding a product MA-COM Technical Solutions has under development. Performance is based on engineering tests. Specifications are typical. Mechanical outline has been fixed. Engineering samples and/or test data may be available. Commitment to produce in volume is not guaranteed.

• North America Tel: 800.366.2266 • Europe Tel: +353.21.244.6400  
 • India Tel: +91.80.43537383 • China Tel: +86.21.2407.1588  
 Visit [www.macomtech.com](http://www.macomtech.com) for additional data sheets and product information.

MA-COM Technical Solutions and its affiliates reserve the right to make changes to the product(s) or information contained herein without notice.

# MA4SPS402

SURMOUNT™ PIN Diode  
RoHS Compliant

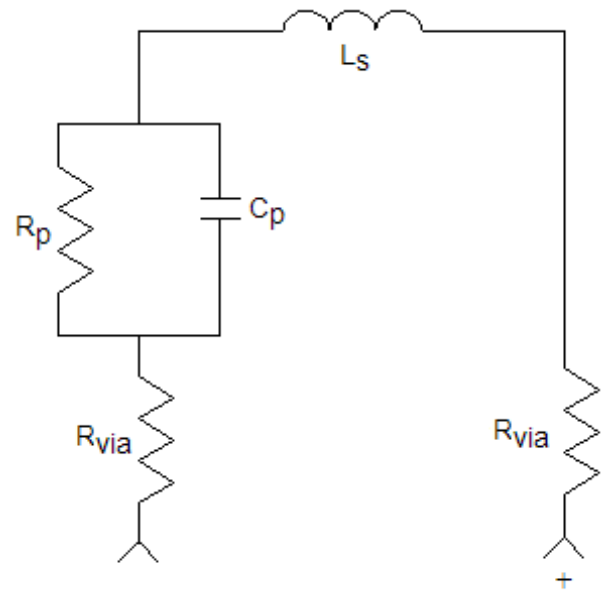
Rev V6

## MA4SPS402 ADS SPICE Model & Schematic

### MA4SPS402 SPICE Model

PinDiodeModel	wBv=100 V
NLPINM1	wPmax=1.0 W
Is=1.0E-14 A	Ffe=1.0
Vi=0.0 V	
Un=900 cm <sup>2</sup> /V-sec	
Wi=6.5 um	
Rr=20 K Ohm	
Cmin=0.045	
Tau=0.20 usec	
Rs=0.1 Ohm	
Cj0=0.06 pF	
Vj=0.7 V	
M=0.5	
Fc=0.5	
Imax=1.0E+6 A/m <sup>2</sup>	
Kf=0.0	
Af=1.0	

### MA4SPS402 Schematic



Note:  $R_s = 2 \cdot R_{via} + R_p$

**ADVANCED:** Data Sheets contain information regarding a product MA-COM Technical Solutions is considering for development. Performance is based on target specifications, simulated results, and/or prototype measurements. Commitment to develop is not guaranteed.

**PRELIMINARY:** Data Sheets contain information regarding a product MA-COM Technical Solutions has under development. Performance is based on engineering tests. Specifications are typical. Mechanical outline has been fixed. Engineering samples and/or test data may be available. Commitment to produce in volume is not guaranteed.

• North America Tel: 800.366.2266 • Europe Tel: +353.21.244.6400  
• India Tel: +91.80.43537383 • China Tel: +86.21.2407.1588  
Visit [www.macomtech.com](http://www.macomtech.com) for additional data sheets and product information.

MA-COM Technical Solutions and its affiliates reserve the right to make changes to the product(s) or information contained herein without notice.

# MA4SPS402



SURMOUNT™ PIN Diode  
RoHS Compliant

Rev V6

## Handling

All semiconductor chips should be handled with care to avoid damage or contamination from perspiration and skin oils. The use of plastic tipped tweezers or vacuum pickups is strongly recommended for individual components. Bulk handling should insure that abrasion and mechanical shock are minimized.

## Die Attach

Attachment to a circuit board is made simple through the use of surface mount technology. Mounting pads are conveniently located on the bottom surface of these devices and are removed from the active junction locations. These devices are well suited for solder attachment onto hard and soft substrates. The use of 80/20, Au/Sn, 60/40, Sn/Pb or RoHS compliant solders is recommended. Conductive silver epoxy solder may also be used but could result in an increase in series and thermal resistance.

When soldering these devices to a hard substrate, hot gas die bonding is preferred. We recommend utilizing a vacuum tip and force of 60 to 100 grams applied to the top surface of the device. When soldering to soft substrates, it is recommended to use a lead-tin interface at the circuit board mounting pads. Position the die so that its mounting pads are aligned with the circuit board mounting pads and reflow the solder by heating the circuit trace near the mounting pads while applying 60 to 100 grams of force perpendicular to the top surface of the die. The solder joint must not be made one pad at a time. Doing so could create unequal heat flow and produce thermal and/or mechanical stresses. It is also not recommended to reflow solder by causing heat to flow through the top surface of the die. Since the HMIC glass is transparent, the edges of the mounting pads can be visually inspected through the die after attach is completed.

Recommended temperature and re-flow profiles for 60/40, Sn/Pb and RoHS compliant solders are provided in [Application Note M538](#), "Surface Mounting Instructions".

## Ordering Information

MA4SPS402 SURMOUNTS may be ordered in either gel packs or tape and reeled by adding the appropriate suffix per the table below. Tape and reel dimensions are provided in [Application Note M513](#) located on the M/A-COM website at [www.macomtech.com](http://www.macomtech.com).

Part Number		
Waffle Pack	Gel Pack	Tape and Reel Pocket Tape
MA4SPS402	MADP-000402-12530G	MADP-000402-12530P

**ADVANCED:** Data Sheets contain information regarding a product MA-COM Technical Solutions is considering for development. Performance is based on target specifications, simulated results, and/or prototype measurements. Commitment to develop is not guaranteed.

**PRELIMINARY:** Data Sheets contain information regarding a product MA-COM Technical Solutions has under development. Performance is based on engineering tests. Specifications are typical. Mechanical outline has been fixed. Engineering samples and/or test data may be available. Commitment to produce in volume is not guaranteed.

• North America Tel: 800.366.2266 • Europe Tel: +353.21.244.6400  
• India Tel: +91.80.43537383 • China Tel: +86.21.2407.1588  
Visit [www.macomtech.com](http://www.macomtech.com) for additional data sheets and product information.

*MA-COM Technical Solutions and its affiliates reserve the right to make changes to the product(s) or information contained herein without notice.*

Компания «Life Electronics» занимается поставками электронных компонентов импортного и отечественного производства от производителей и со складов крупных дистрибьюторов Европы, Америки и Азии.

С конца 2013 года компания активно расширяет линейку поставок компонентов по направлению коаксиальный кабель, кварцевые генераторы и конденсаторы (керамические, пленочные, электролитические), за счёт заключения дистрибьюторских договоров

Мы предлагаем:

- Конкурентоспособные цены и скидки постоянным клиентам.
- Специальные условия для постоянных клиентов.
- Подбор аналогов.
- Поставку компонентов в любых объемах, удовлетворяющих вашим потребностям.
- Приемлемые сроки поставки, возможна ускоренная поставка.
- Доставку товара в любую точку России и стран СНГ.
- Комплексную поставку.
- Работу по проектам и поставку образцов.
- Формирование склада под заказчика.
- Сертификаты соответствия на поставляемую продукцию (по желанию клиента).
- Тестирование поставляемой продукции.
- Поставку компонентов, требующих военную и космическую приемку.
- Входной контроль качества.
- Наличие сертификата ISO.

В составе нашей компании организован Конструкторский отдел, призванный помогать разработчикам, и инженерам.

Конструкторский отдел помогает осуществить:

- Регистрацию проекта у производителя компонентов.
- Техническую поддержку проекта.
- Защиту от снятия компонента с производства.
- Оценку стоимости проекта по компонентам.
- Изготовление тестовой платы монтаж и пусконаладочные работы.



Тел: +7 (812) 336 43 04 (многоканальный)  
Email: org@lifeelectronics.ru