

TR series

Tiny washable rocker switches

Distinctive features and specifications

UG1410A



Sealed

- Single piece case
- O-ring seal between actuator and bushing
- Epoxy sealed terminals

Wide variety of contact materials

Same PCB layout as tiny toggle (TL), pushbutton (TP) and slide switches (TG)

ELECTRICAL SPECIFICATIONS

- Max. current/voltage rating with resistive load :
 - gold plated contacts : 0,4VA 20V max. AC or DC
 - silver plated contacts : 0,5A 48V max. AC or DC
- Minimum load : 10mA 50mV - 10 μ A 5VDC
- Contact resistance : 20 m Ω max.
- Insulation resistance : 1.000 M Ω min. at 500VDC
- Dielectric strength :
 - 1.000 Vrms 50 Hz min. between terminals and frame
 - 500 Vrms 50 Hz min. between terminals
- Electrical life at full load :

| Contacts | Number of cycles | |
|---------------|------------------|-------------|
| | 2 positions | 3 positions |
| Gold plated | 60.000 | 30.000 |
| Silver plated | 20.000 | 10.000 |

MATERIALS

- Case : PBT
- Actuator : polyamide
- Contacts and terminals :
 - 0 : brass, gold plated
 - 1 : brass, silver plated
 - 3 : brass, gold plated (1,27 micron gold)
 - 8 : contact brass, gold plated + tin plated terminals
 - 9 : contact brass, gold plated (1,27 micron gold) + tin plated terminals
- Terminal seal : epoxy

GENERAL SPECIFICATIONS

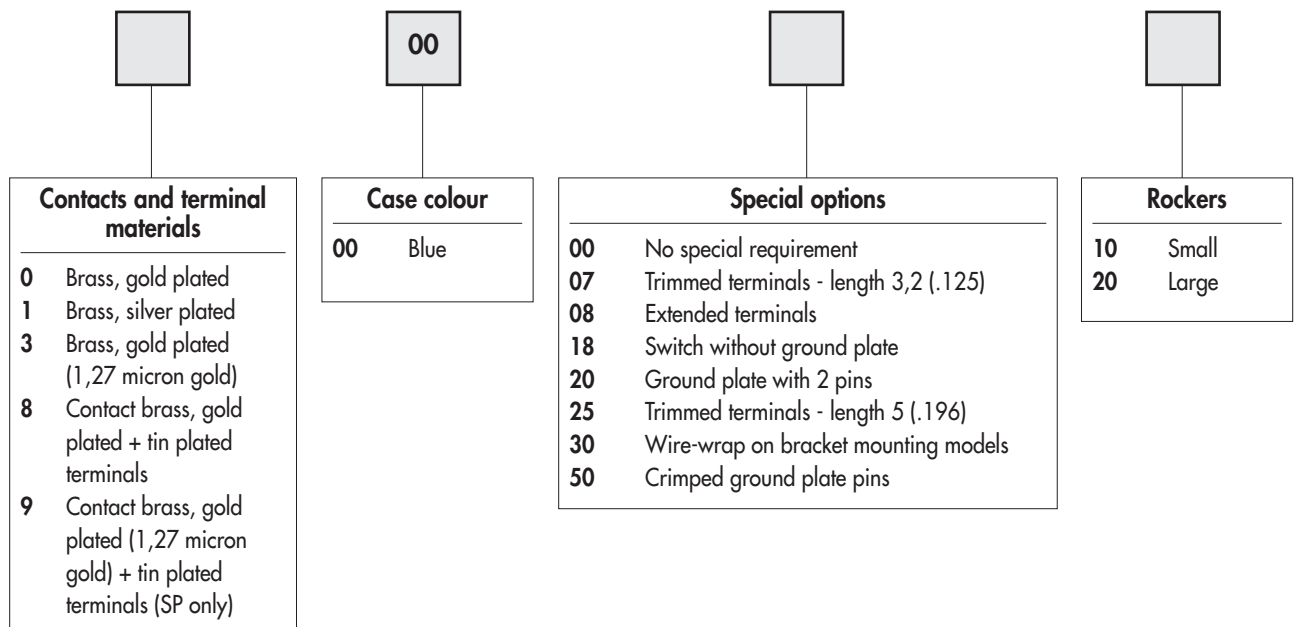
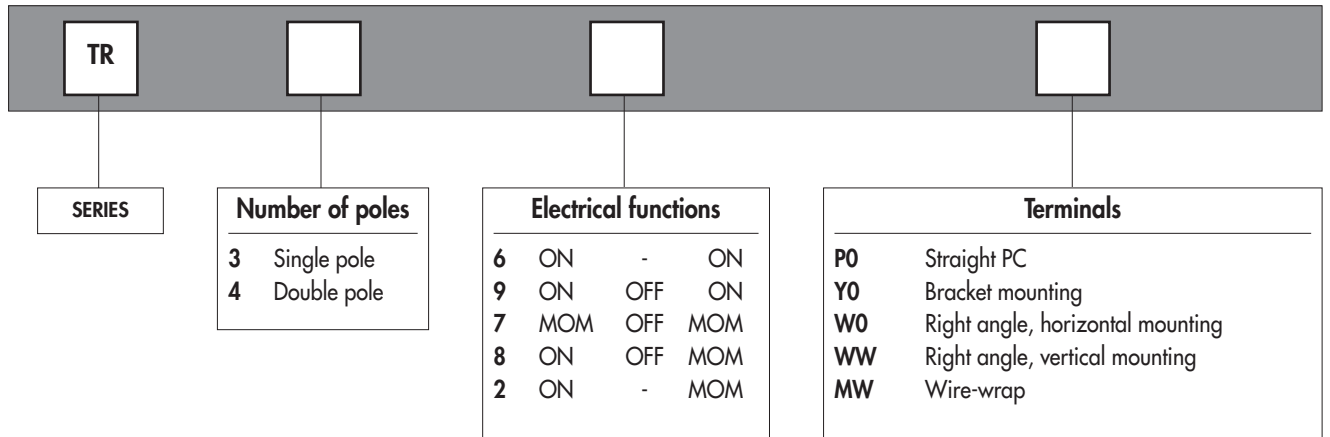
- Strength of terminals : pull-out force - 10N max.
- Operating temperature : -30°C to +85°C
- Moisture : 21 days 95 % (NFC 20-603 - IEC 68-2-3)
- Cleaning : solvents or water + detergent
- Wave soldering : 260°C - 5 sec.

The company reserves the right to change specifications without notice.

TR series

Tiny washable rocker switches

Overview



ABOUT THIS SERIES

On the following pages, you will find successively :

- model structure of switches
- options in the same order as in above chart

Dimensions : first dimensions are in mm while inches are shown as bracketed numbers.



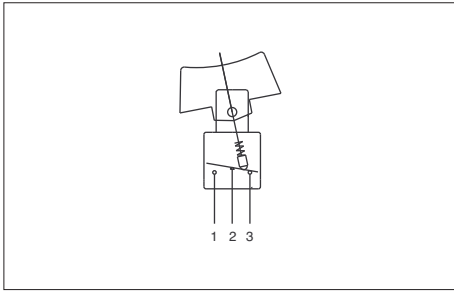
NOTICE : please note that not all combinations of above numbers are available. Refer to the following pages for further information.



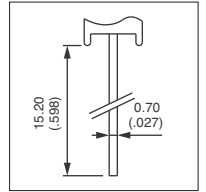
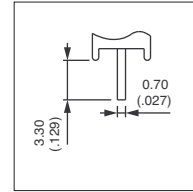
Packaging unit : 50 pieces.

TR series

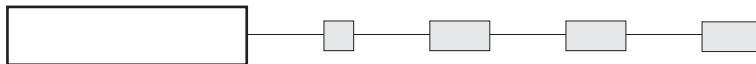
Tiny washable rocker switches



- Straight PC, right angle or wire-wrap terminals
- 1 and 2 pole configurations



MODEL
STRUCTURE



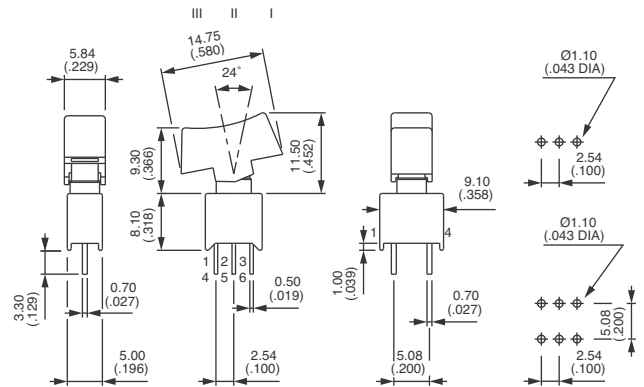
Shown with small rocker (code 10)

Straight PC terminals : TR..PO



| | Single pole | Double pole |
|--------|-------------|-------------|
| TR36PO | ON | ON |
| TR39PO | ON | OFF |
| TR37PO | MOM | OFF |
| TR38PO | ON | OFF |
| TR32PO | ON | MOM |
| TR46PO | | ON |
| TR49PO | | OFF |
| TR47PO | | OFF |
| TR48PO | | OFF |
| TR42PO | | MOM |

| III | II | I |
|-----|-----|-----|
| ON | - | ON |
| ON | OFF | ON |
| MOM | OFF | MOM |
| ON | OFF | MOM |
| ON | - | MOM |

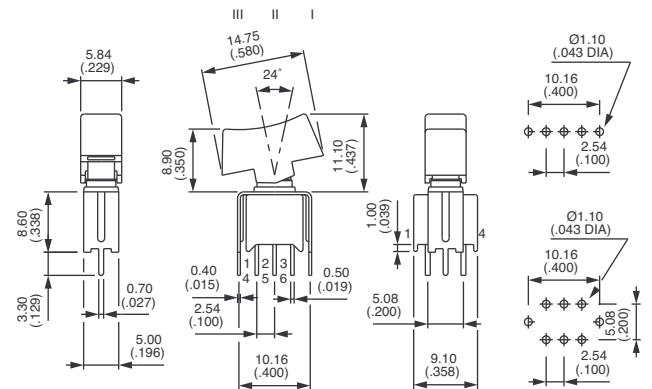


Straight terminals - bracket mounting : TR..YO



| | Single pole | Double pole |
|--------|-------------|-------------|
| TR36YO | ON | ON |
| TR39YO | ON | OFF |
| TR37YO | MOM | OFF |
| TR38YO | ON | OFF |
| TR32YO | ON | MOM |
| TR46YO | | ON |
| TR49YO | | OFF |
| TR47YO | | OFF |
| TR48YO | | OFF |
| TR42YO | | MOM |

| III | II | I |
|-----|-----|-----|
| ON | - | ON |
| ON | OFF | ON |
| MOM | OFF | MOM |
| ON | OFF | MOM |
| ON | - | MOM |

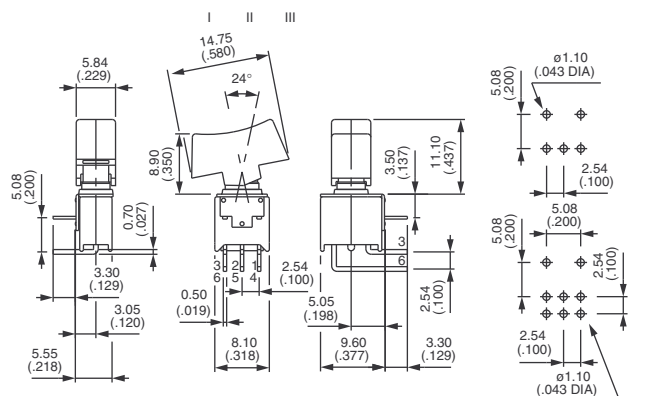


Right angle terminals - horizontal mounting : TR..WO



| | Single pole | Double pole |
|--------|-------------|-------------|
| TR36WO | ON | ON |
| TR39WO | ON | OFF |
| TR37WO | MOM | OFF |
| TR38WO | ON | OFF |
| TR32WO | ON | MOM |
| TR46WO | | ON |
| TR49WO | | OFF |
| TR47WO | | OFF |
| TR48WO | | OFF |
| TR42WO | | MOM |

| III | II | I |
|-----|-----|-----|
| ON | - | ON |
| ON | OFF | ON |
| MOM | OFF | MOM |
| ON | OFF | MOM |
| ON | - | MOM |





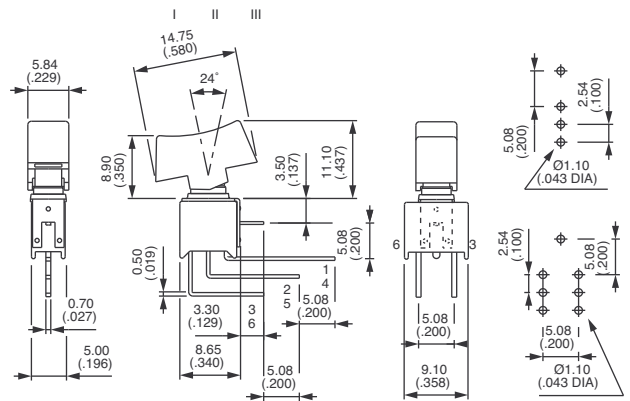
TR series

Tiny washable rocker switches

Right angle terminals - vertical mounting : TR..WW



| | Single pole | Double pole | III | II | I |
|---------|-------------|-------------|-----|----|---|
| TR36WW | ON | - | ON | | |
| TR39WW | ON | OFF | ON | | |
| TR37WW | MOM | OFF | MOM | | |
| TR38WW* | ON | OFF | MOM | | |
| TR32WW* | ON | - | MOM | | |
| TR46WW | | | | | |
| TR49WW | | | | | |
| TR47WW | | | | | |
| TR48WW* | | | | | |
| TR42WW* | | | | | |

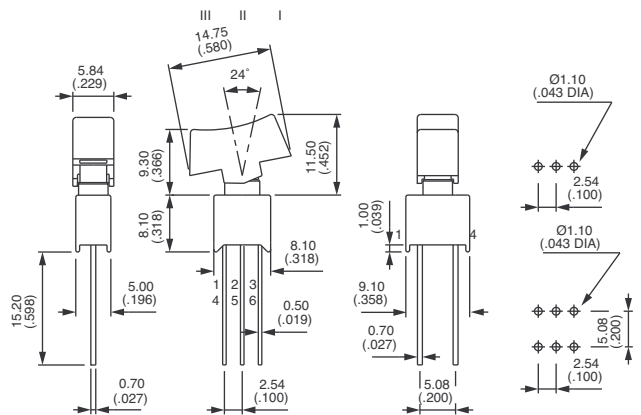


* Functions 2 and 8 : reversed connection available . Consult factory.

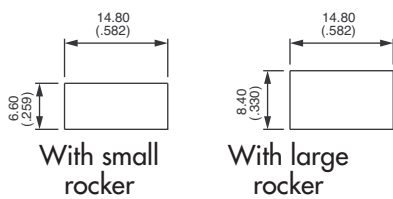
Wire-wrap terminals : TR..MW



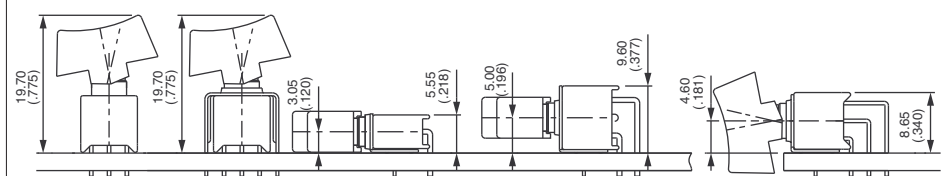
| | Single pole | Double pole | III | II | I |
|--------|-------------|-------------|-----|----|---|
| TR36MW | ON | - | ON | | |
| TR39MW | ON | OFF | ON | | |
| TR37MW | MOM | OFF | MOM | | |
| TR38MW | ON | OFF | MOM | | |
| TR32MW | ON | - | MOM | | |
| TR46MW | | | | | |
| TR49MW | | | | | |
| TR47MW | | | | | |
| TR48MW | | | | | |
| TR42MW | | | | | |



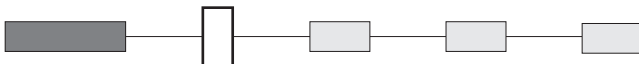
PANEL CUT-OUT



PCB MOUNTING

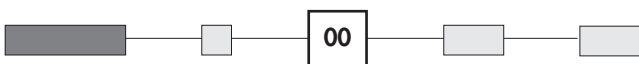


CONTACT AND TERMINAL MATERIALS



- 0 Brass, gold plated
- 1 Brass, silver plated
- 3 Brass, gold plated (1,27 micron gold)
- 8 Contact brass, gold plated + tin plated terminals
- 9 Contact brass, gold plated (1,27 micron gold) + tin plated terminals (single pole only)

CASE COLOUR



- 00 Blue

TR series

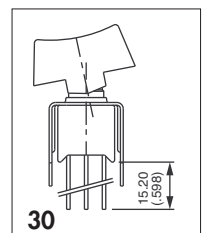
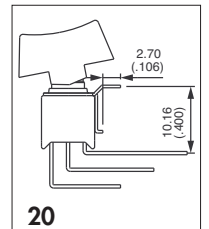
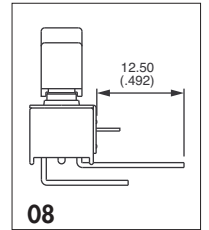
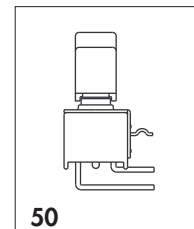
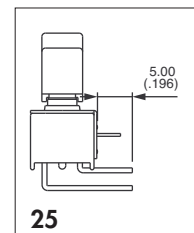
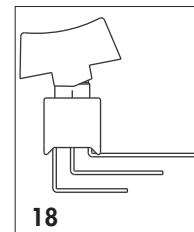
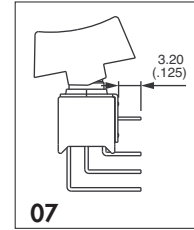
Tiny washable rocker switches



SPECIAL OPTIONS

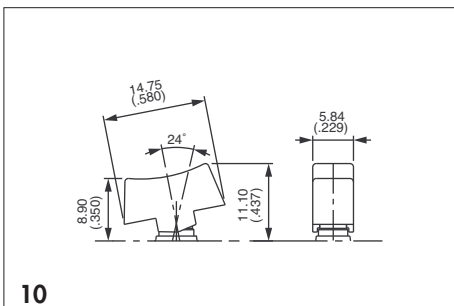
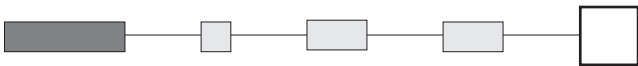


- 00** No special requirement
- 07** **Trimmed terminals** - length 3,2 mm (.125) for TR..WW models only
- 08** **Extended terminals** for TR..WO models only
- 18** Switch **without ground plate** for TR..WW models only
- 20** **Ground plate with 2 pins** for TR..WW models only
- 25** **Trimmed terminals** - length 5 mm (.196) for all models, except TR..WW
- 30** **Wire-wrap terminals** on models with mounting **bracket**
- 50** **Crimping of ground plate pins.**
Retains switch on PCB during handling and wave soldering.
For models TR..WO, TR..WW and TR..YO single and double pole.

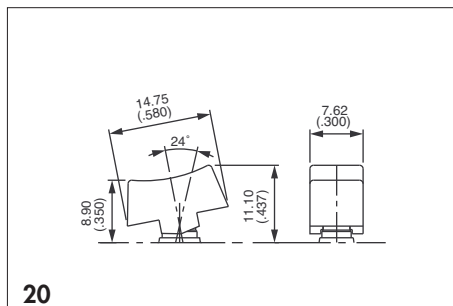


Marking on rocker : consult factory.

ROCKERS



10
Small



20
Large

| Rocker colours | |
|-----------------------|-----------|
| Replace "0" by number | |
| 1 | blue |
| 1/4 | dark blue |
| 2 | black |
| 3 | green |
| 4 | grey |
| 5 | yellow |
| 6 | red |
| 7 | ivory |
| 7/1 | white |
| 9 | orange |

Компания «Life Electronics» занимается поставками электронных компонентов импортного и отечественного производства от производителей и со складов крупных дистрибьюторов Европы, Америки и Азии.

С конца 2013 года компания активно расширяет линейку поставок компонентов по направлению коаксиальный кабель, кварцевые генераторы и конденсаторы (керамические, пленочные, электролитические), за счёт заключения дистрибьюторских договоров

Мы предлагаем:

- Конкурентоспособные цены и скидки постоянным клиентам.
- Специальные условия для постоянных клиентов.
- Подбор аналогов.
- Поставку компонентов в любых объемах, удовлетворяющих вашим потребностям.
- Приемлемые сроки поставки, возможна ускоренная поставка.
- Доставку товара в любую точку России и стран СНГ.
- Комплексную поставку.
- Работу по проектам и поставку образцов.
- Формирование склада под заказчика.
- Сертификаты соответствия на поставляемую продукцию (по желанию клиента).
- Тестирование поставляемой продукции.
- Поставку компонентов, требующих военную и космическую приемку.
- Входной контроль качества.
- Наличие сертификата ISO.

В составе нашей компании организован Конструкторский отдел, призванный помогать разработчикам, и инженерам.

Конструкторский отдел помогает осуществить:

- Регистрацию проекта у производителя компонентов.
- Техническую поддержку проекта.
- Защиту от снятия компонента с производства.
- Оценку стоимости проекта по компонентам.
- Изготовление тестовой платы монтаж и пусконаладочные работы.



Тел: +7 (812) 336 43 04 (многоканальный)
Email: org@lifeelectronics.ru