



**Future Technology Devices International Ltd**

**TTL-232RG**    **CE** **FC**

# **TTL to USB Serial Converter Generic Cables Datasheet**

**Document Reference No.: FT\_000188**

**Version 1.1**

**Issue Date: 2009-04-02**

**Future Technology Devices International Limited (FTDI)**

Unit 1, 2 Seaward Place, Glasgow G41 1HH, United Kingdom  
Tel.: +44 (0) 141 429 2777 Fax: + 44 (0) 141 429 2758  
E-Mail (Support): [support1@ftdichip.com](mailto:support1@ftdichip.com) Web: <http://www.ftdichip.com>

Neither the whole nor any part of the information contained in, or the product described in this manual, may be adapted or reproduced in any material or electronic form without the prior written consent of the copyright holder. This product and its documentation are supplied on an as-is basis and no warranty as to their suitability for any particular purpose is either made or implied. Future Technology Devices International Ltd will not accept any claim for damages howsoever arising as a result of use or failure of this product. Your statutory rights are not affected. This product or any variant of it is not intended for use in any medical appliance, device or system in which the failure of the product might reasonably be expected to result in personal injury. This document provides preliminary information that may be subject to change without notice. No freedom to use patents or other intellectual property rights is implied by the publication of this document. Future Technology Devices International Ltd, Unit 1, 2 Seaward Place, Centurion Business Park, Glasgow, G41 1HH, United Kingdom. Scotland Registered Number: SC136640

## 1 Description

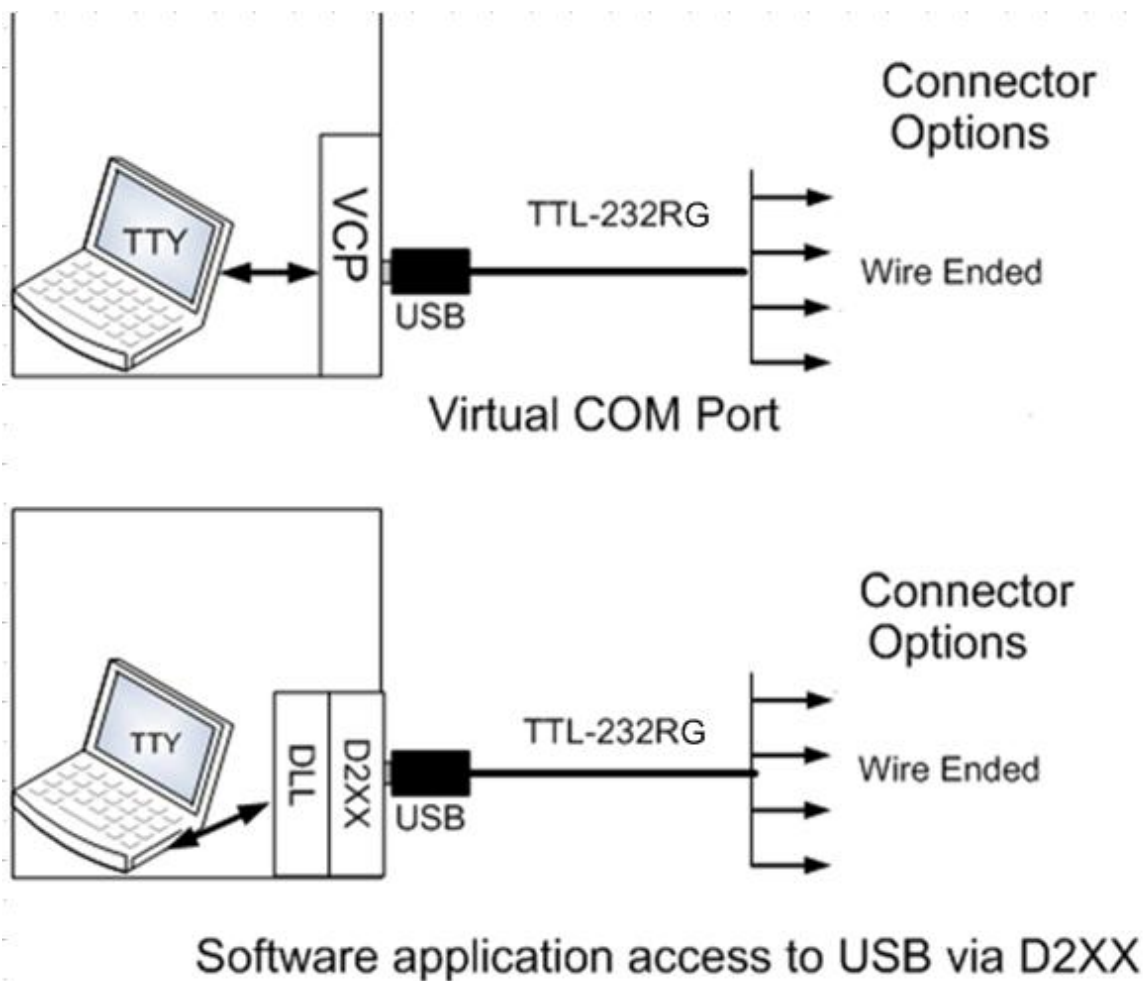
The **TTL-232RG** generic cables are a family of USB to TTL serial UART converter cables incorporating FTDI's FT232RQ USB to Serial UART interface IC device which handles all the USB signalling and protocols. The cables provide a fast, simple way to connect devices with a logic level serial interface to USB.

Each TTL-232RG generic cable contains a small internal electronic circuit board, utilising the FT232R, which is encapsulated into the USB connector end of the cable. The FT232R datasheet, [DS\\_FT232R](#), is available at <http://www.ftdichip.com>. The other end of the cable is wire ended. The cables can be used for "TTL" or interface logic over a range to voltage levels.

Cables are FCC, CE, RoHS compliant at TTL levels of +5V to +1.8V are being tested.

The USB side of the cable is USB powered and is USB 2.0 full speed compatible. Each cable is 1.8m long and supports a data transfer rate up to 3 Mbaud. Each cable supports the FTDIChip-ID™, with a unique USB serial number programmed into the FT232R. This feature can be used to create a security or password protected file transfer access using the cable. Further information and examples on this feature are available at <http://www.ftdichip.com> under [FTDIChip-ID Projects](#).

The TTL-232RG generic cables require USB drivers, available free from <http://www.ftdichip.com>, which are used to make the FT232R in the cable appear as a virtual COM port (VCP). This then allows the user to communicate with the USB interface via a standard PC serial emulation port (for example TTY). Another FTDI USB driver, the D2XX driver, can also be used with application software to directly access the FT232R on the cable through a DLL. This is illustrated in the Figure 1.1



**Figure 1.1 Using the TTL-232RG Generic Cable**

## 1.1 Available Cables and Part Numbers

The following Table 1.1 gives details of the available TTL-232RG generic cables.

<b>Part Number</b>	<b>Description</b>	<b>End Connector*</b>	<b>Cable details</b>
TTL-232RG-VSW3V3-WE	USB to UART cable with +3.3V TTL level UART signals. Maximum output of 50mA on VCC  (see <b>Note 1</b> and <b>Note 4</b> )	Wire Ended (no connector)	6 core, UL2464 24 AWG, diam=5mm
TTL-232RG-VREG3V3-WE	USB to UART cable with +3.3V TTL level UART signals. Maximum output of 250mA on VCC  (see <b>Note 2 and 5</b> )	Wire Ended (no connector)	6 core, UL2464 24 AWG, diam=5mm
TTL-232RG-VREG1V8-WE	USB to UART cable with +1.8V TTL level UART signals. Maximum output of 100mA on VCC  (see <b>Note 2 and 6</b> )	Wire Ended (no connector)	6 core, UL2464 24 AWG, diam=5mm
TTL-232RG-VSW5V-WE	USB to UART cable with up to 5V TTL level UART signals. Maximum output of 450mA on VCC  (see <b>Note 7</b> )	Wire Ended (no connector)	6 core, UL2464 24 AWG, diam=5mm
TTL-232RG-VIP-WE	USB to UART cable with TTL Voltage levels for the UART signals are supplied from the customers interface logic  (see <b>Note 3 and 8</b> )	Wire Ended (no connector)	6 core, UL2464 24 AWG, diam=5mm

**Table 1.1 TTL-232RG Generic Cables Descriptions and Part Numbers**

**Note 1:** Fixed 3.3V signals and supply.

**Note 2:** Any regulator from 1.8V to 5V can be used. 1.8V and 3.3V versions are standard products. Others values are customized at the factory.

**Note 3:** Any INPUT voltage can be supplied by the customer from 1.8V (min value of VCCIO) to +5.25V (Max value of VCCIO)

**Note 4:** The VCC power output signal (RED wire) is 3.3V. The source of 3.3V is the FT232R regulator output, which is switched onto the power output signal.

**Note 5:** The VCC power output signal (RED wire) is 3.3V. The source of 3.3V is on board 3.3V regulator output, which is switched onto the power output signal

**Note 6:** The VCC power output signal (RED wire) is 1.8V. The source of 1.8V is on board 1.8V regulator output, which is switched onto the power output signal

**Note 7:** The VCC power output signal (RED wire) is 5.0V. The source of 5.0V is the USB VBUS input, which is switched onto the power output signal.

**Note 8:** The VCC power input signal (RED wire) is an output from customer electronics, an input to the cable. This value=i/pV. The source of i/pV is from customer's interface logic and this is used to drive the VCCIO and hence the signal levels on the wires. This makes the generic cable customisable to whatever output voltage the customer interface is operating at 1.8V to 5.25V range.

---

FTDI supports customised end connector designs. For more information, please contact your local FTDI sales office (see end of datasheet for contact details).

## **1.2 Certifications**

The FTDI TTL-232RG range of generic cables is fully RoHS compliant. At the time of writing this datasheet the cables were being CE and FCC tested.

## Table of Contents

<b>1</b>	<b>Description .....</b>	<b>1</b>
1.1	<b>Available Cables and Part Numbers .....</b>	<b>2</b>
1.2	<b>Certifications.....</b>	<b>3</b>
<b>2</b>	<b>Typical Applications.....</b>	<b>5</b>
2.1	<b>Driver Support .....</b>	<b>5</b>
2.2	<b>Features.....</b>	<b>6</b>
<b>3</b>	<b>Features of FT232R applicable toTTL-232RG Generic Cables .....</b>	<b>7</b>
<b>4</b>	<b>TTL-232RG Generic Cables Connection and Mechanical Details .....</b>	<b>8</b>
4.1	<b>TTL-232RG Generic Cables Signal Descriptions .....</b>	<b>8</b>
4.2	<b>TTL-232RG Generic Cables Electrical Parameters .....</b>	<b>9</b>
4.2.1	TTL-232RG-VSW3V3-WE Electrical Parameters.....	9
4.2.2	TTL-232RG-VREG3V3-WE Electrical Parameters.....	9
4.2.3	TTL-232RG-VREG1V8-WE Electrical Parameters.....	10
4.2.4	TTL-232RG-VSW5V-WE Electrical Parameters .....	10
4.2.5	TTL-232RG-VIP-WE Electrical Parameters .....	11
<b>5</b>	<b>Cable PCB Circuit Schematic .....</b>	<b>12</b>
	<b>Appendix A - Cable EEPROM Configuration.....</b>	<b>13</b>
<b>6</b>	<b>Contact Information .....</b>	<b>15</b>
	<b>Appendix B - List of Figures and Tables.....</b>	<b>16</b>
	<b>Appendix B – Revision History .....</b>	<b>17</b>

## 2 Typical Applications

- USB to Serial TTL Level Converter
- Upgrading Legacy Peripherals to USB
- Interface Microcontroller UART or I/O to USB
- Interface FPGA / PLD to USB
- Interface to FTDI VDRIVE2 or VMUSIC2 modules.
- Interface USB to none-standard (application dependant) logic levels.
- Replace MAX232 type level shifters allowing for direct connection of products to PC via USB
- USB Instrumentation PC interface
- USB Industrial Control
- USB Software / Hardware Encryption Dongles

### 2.1 Driver Support

#### **Royalty free VIRTUAL COM PORT (VCP) DRIVERS for...**

- Windows 98, 98SE, ME, 2000, Server 2003, XP and Server 2008
- Windows XP and XP 64-bit
- Windows Vista and Vista 64-bit
- Windows XP Embedded
- Windows CE 4.2, 5.0 and 6.0
- Mac OS 8/9, OS-X
- Linux 2.4 and greater

#### **Royalty free D2XX Direct Drivers (USB Drivers + DLL S/W Interface)**

- Windows 98, 98SE, ME, 2000, Server 2003, XP and Server 2008
- Windows XP and XP 64-bit
- Windows Vista and Vista 64-bit
- Windows XP Embedded
- Windows CE 4.2, 5.0 and 6.0
- Linux 2.4 and greater

NOTE: Windows 7 is currently being tested and the cables will support Windows 7 at the next release of the FTDI drivers.

The drivers listed above are all available to download for free from <http://www.ftdichip.com>. Various 3rd Party Drivers are also available for various other operating systems - see <http://www.ftdichip.com> for details.

## 2.2 Features

- TTL-232RG generic converter cable provides a USB to TTL Serial interface with various logic levels.
- On board FT232RQ provides single chip USB to asynchronous serial data transfer interface.
- Entire USB protocol handled by the electronics in the cable USB.
- Connect directly to a microcontroller UART or I/O pins.
- UART interface support for 7 or 8 data bits, 1 or 2 stop bits and odd / even / mark / space / no parity.
- Fully assisted hardware (RTS#/CTS#) or X-On / X-Off software handshaking.
- Data transfer rates from 300 baud to 3 Mbaud at TTL levels.
- Internal EEPROM with user writeable area.
- Wide range of output drive voltages 1.8V to 5.0V safe TTL inputs makes the TTL-232RG easy to interface to 5.0V MCU's.
- FTDI's royalty-free VCP allow for communication as a standard emulated COM port and D2XX 'direct' drivers provide DLL application programming interface.
- Support for FT232R FTDIChip-ID™ feature for improved security.
- Voltage output power allows external logic to be powered from the USB port.
- Cable can be used to accept IO voltage from application interface logic allowing users to supply IO voltage levels.
- 6 way outputs provide Tx, Rx, RTS#, CTS#, VCC and GND.
- Low USB bandwidth consumption.
- UHCI / OHCI / EHCI host controller compatible.
- USB 2.0 (12Mb/s) Full Speed compatible.
- -40°C to +85°C operating temperature range.
- Cable length is 1.80m (6 feet).
- FCC and CE compliancy being tested.
- Custom versions also available (subject to MOQ).

### 3 Features of FT232R applicable to TTL-232RG Generic Cables

The TTL-232RG generic cables use FTDI's FT232RQ USB to serial IC device. This section summarises the key features of the FT232RQ which apply to the TTL-232RG USB to serial TTL converter cables. For further details, and a full features and enhancements description consult the FT232R datasheet, this is available from <http://www.ftdichip.com>.

**Internal EEPROM.** The internal EEPROM in each cable is used to store USB Vendor ID (VID), Product ID (PID), device serial number, product description string and various other USB configuration descriptors. Each cable is supplied with the internal EEPROM pre-programmed as described in **Appendix A - Cable EEPROM Configuration**. A user area of the internal EEPROM is available to system designers to allow storing additional data. The internal EEPROM descriptors can be programmed in circuit, over USB without any additional voltage requirement. It can be programmed using the FTDI utility software called MPROG, which can be downloaded from FTDI Utilities on the FTDI website ([www.ftdichip.com](http://www.ftdichip.com)).

**Lower Operating and Suspend Current.** The FT232R has a low 15mA operating supply current and a very low USB suspend current of approximately 70µA. (Note that during suspend mode, the current drawn by application should not exceed 2.5mA to remain USB compliant)

**Low USB Bandwidth Consumption.** The USB interface of the FT232R, and therefore the TTL-232RG cables has been designed to use as little as possible of the total USB bandwidth available from the USB host controller.

**High Output Drive Option.** The UART interface I/O pins on the TTL-232RG cables (RXD, TXD, RTS#, and CTS#) can be configured to use the FT232R's high output drive option. This option allows the FT232R I/O pins to drive up to three times the standard signal drive level. This allows multiple devices to be driven, or devices that require greater signal drive strength to be interfaced to the cables. This option is enabled in the internal EEPROM.

**UART Pin Signal Inversion.** The sense of each of the eight UART signals can be individually inverted by configuring options in the internal EEPROM. For example CTS# (active low) can be changed to CTS (active high), or TXD can be changed to TXD#.

**FTDICHIP-ID™.** The FT232R includes the FDIChip-ID™ security dongle feature. This FTDICHIP-ID™ feature allows a unique number to be burnt into each cable during manufacture. This number cannot be reprogrammed. This number is only readable over USB can be used to form the basis of a security dongle which can be used to protect any customer application software being copied. This allows the possibility of using the TTL-232RG cables as a dongle for software licensing. Further to this, a renewable license scheme can be implemented based on the FTDICHIP-ID™ number when encrypted with other information. This encrypted number can be stored in the user area of the FT232R internal EEPROM, and can be decrypted, then compared with the protected FTDICHIP-ID™ to verify that a license is valid. Web based applications can be used to maintain product licensing this way. An application note, AN232R-02, available from FTDI website ([www.ftdichip.com](http://www.ftdichip.com)) describes this feature.

**Improved EMI Performance.** The TTL-232RG cables are FCC and CE certified (currently to be completed).

**Extended Operating Temperature Range -** The TTL-232RG generic cables are capable of operating over an extended temperature range of -40° to +85° C thus allowing them to be used in automotive or industrial applications.



## 4 TTL-232RG Generic Cables Connection and Mechanical Details

The following Figure 4.1 shows the cable signals and the wire colours for these signals on the TTL-232RG generic cables.

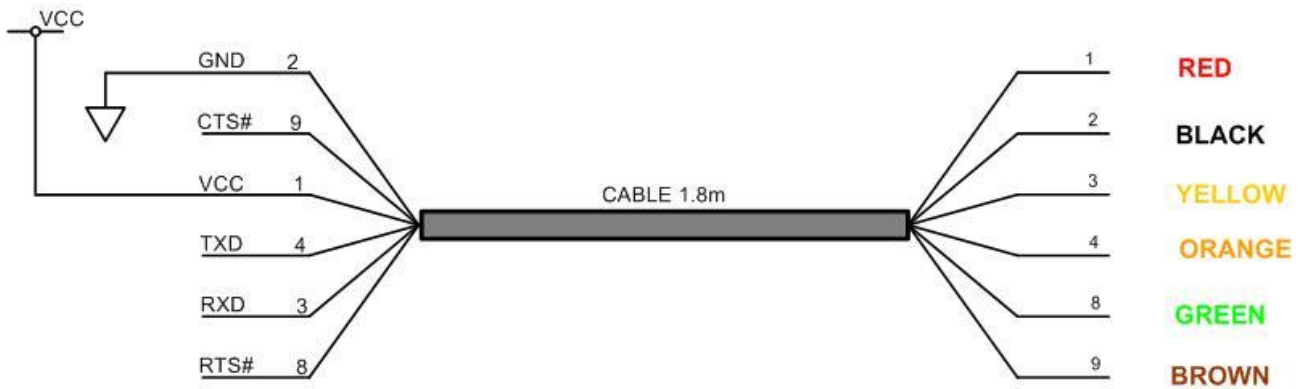


Figure 4.1 TTL-232RG Generic Cables Connections (numbers refer to pad numbers on the PCB)

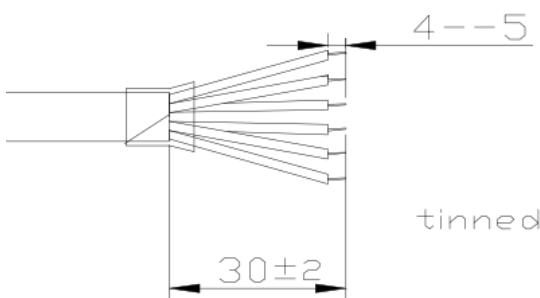


Figure 4.2 TTL-232RG Generic Cables Mechanical Details (dimensions in mm)

### 4.1 TTL-232RG Generic Cables Signal Descriptions

Colour	Name	Type	Description
Black	GND	GND	Device ground supply pin.
Brown	CTS#	Input	Clear to Send Control input / Handshake signal.
Red	VCC	Output or input	Power Supply Output except for the TTL-232RG-VIP-WE where this is an input and power is supplied by the application interface logic.
Orange	TXD	Output	Transmit Asynchronous Data output.
Yellow	RXD	Input	Receive Asynchronous Data input.
Green	RTS#	Output	Request To Send Control Output / Handshake signal.

Table 4.1 TTL-232RG Generic Cables Signal Descriptions

## 4.2 TTL-232RG Generic Cables Electrical Parameters

### 4.2.1 TTL-232RG-VSW3V3-WE Electrical Parameters

Parameter	Description	Minimum	Typical	Maximum	Units	Conditions
VCC	Output Power Voltage	-	3.3	-	V	Min/Max TBD
I <sub>o</sub>	Output Power Current	-	50	-	mA	Must be less than 2.5mA during suspend.
T	Operating Temperature Range				°C	

**Table 4.2 TTL-232RG-VSW3V3-WE I/O Operating Parameters**

Parameter	Description	Minimum	Typical	Maximum	Units	Conditions
V <sub>oh</sub>	Output Voltage High				V	I source = 1mA
V <sub>ol</sub>	Output Voltage Low				V	I sink = 2mA
V <sub>in</sub>	Input Switching Threshold				V	
V <sub>Hys</sub>	Input Switching Hysteresis				mV	

**Table 4.3 TTL-232RG-VSW3V3-WE I/O Pin Characteristics**

### 4.2.2 TTL-232RG-VREG3V3-WE Electrical Parameters

Parameter	Description	Minimum	Typical	Maximum	Units	Conditions
VCC	Output Power Voltage		3.3		V	Min/Max TBD
I <sub>o</sub>	Output Power Current		250		mA	Must be less than 2.5mA during suspend.
T	Operating Temperature Range				°C	

**Table 4.4 TTL-232RG-VREG3V3-WE I/O Operating Parameters**

Parameter	Description	Minimum	Typical	Maximum	Units	Conditions
V <sub>oh</sub>	Output Voltage High				V	I source = 3mA
V <sub>ol</sub>	Output Voltage Low				V	I sink = 8mA
V <sub>in</sub>	Input Switching Threshold				V	
V <sub>Hys</sub>	Input Switching Hysteresis				mV	

**Table 4.5 TTL-232RG-VREG3V3 Pin Characteristics**

### 4.2.3 TTL-232RG-VREG1V8-WE Electrical Parameters

Parameter	Description	Minimum	Typical	Maximum	Units	Conditions
VCC	Output Power Voltage	1.8		5.0	V	
I <sub>o</sub>	Output Power Current		100		mA	100mA for output powerless than 3.0V
T	Operating Temperature Range				°C	

**Table 4.6 TTL-232RG-VREG1V8 I/O Operating Parameters**

Parameter	Description	Minimum	Typical	Maximum	Units	Conditions
V <sub>oh</sub>	Output Voltage High				V	I source = 6mA
V <sub>ol</sub>	Output Voltage Low				V	I sink = 6mA
V <sub>in</sub>	Input Switching Threshold				V	
V <sub>Hys</sub>	Input Switching Hysteresis				mV	

**Table 4.7 TTL-232RG-VREG1V8-WE I/O Pin Characteristics**

### 4.2.4 TTL-232RG-VSW5V-WE Electrical Parameters

Parameter	Description	Minimum	Typical	Maximum	Units	Conditions
VCC	Output Power Voltage			5	V	
I <sub>o</sub>	Supply Current		TBD		mA	Must be less than 2.5mA during suspend.
T	Operating Temperature Range				°C	

**Table 4.8 TTL-232RG-VSW5V-WE I/O Operating Parameters**

Parameter	Description	Minimum	Typical	Maximum	Units	Conditions
V <sub>oh</sub>	Output Voltage High				V	I source = 6mA
V <sub>ol</sub>	Output Voltage Low				V	I sink = 6mA
V <sub>in</sub>	Input Switching Threshold				V	
V <sub>Hys</sub>	Input Switching Hysteresis				mV	

**Table 4.9 TTL-232RG-VSW5V-WE I/O Pin Characteristics**

#### 4.2.5 TTL-232RG-VIP-WE Electrical Parameters

Parameter	Description	Minimum	Typical	Maximum	Units	Conditions
VCC	Power Input for I/O Buffer	1.8	INPUT i/p	5.25	V	
I <sub>o</sub>	Supply Current				mA	Must be less than 2.5mA during suspend.
T	Operating Temperature Range				°C	

**Table 4.10 TTL-232RG-VIP-WE I/O Operating Parameters**

Parameter	Description	Minimum	Typical	Maximum	Units	Conditions
V <sub>oh</sub>	Output Voltage High				V	I source = 6mA
V <sub>ol</sub>	Output Voltage Low				V	I sink = 6mA
V <sub>in</sub>	Input Switching Threshold				V	
V <sub>Hys</sub>	Input Switching Hysteresis				mV	

**Table 4.11 TTL-232RG-VIP-WE I/O Pin Characteristics**

## 5 Cable PCB Circuit Schematic

The circuit schematic for the small internal electronic circuit board, utilising the FTDI FT232R, which is encapsulated into the USB connector end of the cable, is shown in

Figure 5.1.

Customised versions of these cables are also available. Users interested in customised versions of these cables should contact FTDI sales (sales1@ftdichip.com).

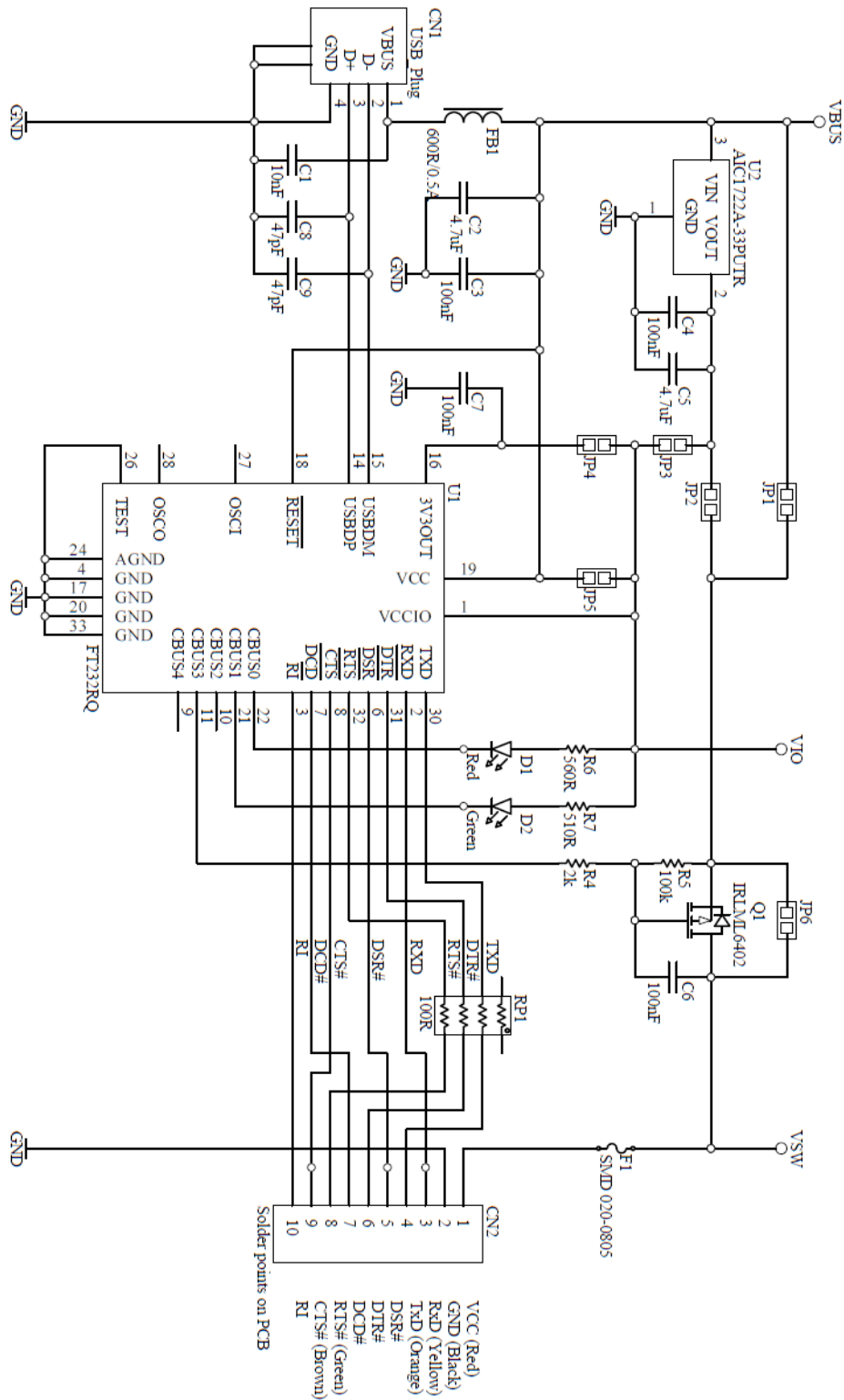


Figure 5.1 Circuit Schematic of PCB Used in the generic TTL to USB Serial Converter Cables

## Appendix A - Cable EEPROM Configuration

Each TTL-232RG cable is controlled by the FTDI FT232R IC. This FT232R device contains an EEPROM which contains the USB configuration descriptors for that device. When the cable is plugged into a PC or a USB reset is performed, the PC will read these descriptors. The default values stored into the internal EEPROM are defined in the following table

Parameter	Value	Notes
USB Vendor ID (VID)	0403h	FTDI default VID (hex)
USB Product UD (PID)	6001h	FTDI default PID (hex)
Serial Number Enabled?	Yes	
Serial Number	See Note	A unique serial number is generated and programmed into the EEPROM during device final test.
Pull down I/O Pins in USB Suspend	Disabled	Enabling this option will make the device pull down on the UART interface lines when the power is shut off (PWREN# is high).
Manufacturer Name	FTDI	
Product Description	See note	Product description depends on the cable. The following lists a few of the Product description for each different cable.  TTL-232RG-VSW3V3 TTL-232RG-VREG3V3 TTL-232RG-VREG1V8 TTL-232RG-VREGxVx TTL-232RG-VIP
Max Bus Power Current	90mA	
Power Source	Bus Powered	
Device Type	FT232R	
USB Version	0200	Returns USB 2.0 device description to the host. Note: The device is a USB 2.0 Full Speed device (12Mb/s).
Remote Wake Up	Disabled	<b>500uA suspend limit when in this state</b>
High Current I/Os	Enabled	Enables the high drive level on the UART and CBUS I/O pins.
Load VCP Driver	Enabled	Makes the device load the VCP driver interface for the device.
Invert TXD	Disabled	Signal on this pin becomes TXD# if enable.
Invert RXD	Disabled	Signal on this pin becomes RXD# if enable.
Invert RTS#	Disabled	Signal on this pin becomes RTS if enable.
Invert CTS#	Disabled	Signal on this pin becomes CTS if enable.

### Default Internal EEPROM Configuration



The internal EEPROM in the cable can be re-programmed over USB using the utility program MPROG or FT\_PROG. Both can be downloaded from the [www.ftdichip.com](http://www.ftdichip.com). Users who do not have their own USB Vendor ID but who would like to use a unique Product ID in their design can apply to FTDI for a free block of unique PIDs. Contact FTDI support for this service.

## 6 Contact Information

### Head Office – Glasgow, UK

Future Technology Devices International Limited  
Unit 1, 2 Seaward Place,  
Centurion Business Park  
Glasgow, G41 1HH  
United Kingdom  
Tel: +44 (0) 141 429 2777  
Fax: +44 (0) 141 429 2758

E-mail (Sales) [sales1@ftdichip.com](mailto:sales1@ftdichip.com)  
E-mail (Support) [support1@ftdichip.com](mailto:support1@ftdichip.com)  
E-mail (General Enquiries) [admin1@ftdichip.com](mailto:admin1@ftdichip.com)  
Web Site URL <http://www.ftdichip.com>  
Web Shop URL <http://www.ftdichip.com>

### Branch Office – Taipei, Taiwan

Future Technology Devices International Limited (Taiwan)  
2F, No. 516, Sec. 1, NeiHu Road  
Taipei 114  
Taiwan, R.O.C.  
Tel: +886 (0) 2 8797 1330  
Fax: +886 (0) 2 8751 9737

E-mail (Sales) [tw.sales1@ftdichip.com](mailto:tw.sales1@ftdichip.com)  
E-mail (Support) [tw.support1@ftdichip.com](mailto:tw.support1@ftdichip.com)  
E-mail (General Enquiries) [tw.admin1@ftdichip.com](mailto:tw.admin1@ftdichip.com)  
Web Site URL <http://www.ftdichip.com>

### Branch Office – Hillsboro, Oregon, USA

Future Technology Devices International Limited (USA)  
7235 NW Evergreen Parkway, Suite 600  
Hillsboro, OR 97123-5803  
USA  
Tel: +1 (503) 547 0988  
Fax: +1 (503) 547 0987

E-Mail (Sales) [us.sales@ftdichip.com](mailto:us.sales@ftdichip.com)  
E-mail (Support) [us.support@ftdichip.com](mailto:us.support@ftdichip.com)  
E-mail (General Enquiries) [us.admin@ftdichip.com](mailto:us.admin@ftdichip.com)  
Web Site URL <http://www.ftdichip.com>

### Branch Office – ShangHai, China

Future Technology Devices International Limited (China)  
Room 408, 317 Xianxia Road,  
ChangNing District,  
ShangHai, P.R. China

Tel: +86 (21) 62351596  
Fax: +86 (21) 62351595

E-Mail (Sales) [cn.sales@ftdichip.com](mailto:cn.sales@ftdichip.com)  
E-mail (Support) [cn.support@ftdichip.com](mailto:cn.support@ftdichip.com)  
E-Mail (General Enquiries) [cn.admin@ftdichip.com](mailto:cn.admin@ftdichip.com)  
Web Site URL <http://www.ftdichip.com>

### Distributor and Sales Representatives

Please visit the Sales Network page of the FTDI Web site for the contact details of our distributor(s) and sales representative(s) in your country.



## Appendix B - List of Figures and Tables

### List of Figures

<b>Figure 1.1 Using the TTL-232RG Generic Cable.....</b>	<b>1</b>
<b>Figure 4.1 TTL-232RG Generic Cables Connections (numbers refer to pad numbers on the PCB) .....</b>	<b>8</b>
<b>Figure 4.2 TTL-232RG Generic Cables Mechanical Details (dimensions in mm) .....</b>	<b>8</b>
<b>Figure 5.1 Circuit Schematic of PCB Used in the generic TTL to USB Serial Converter Cables.....</b>	<b>12</b>

### List of Tables

<b>Table 1.1 TTL-232RG Generic Cables Descriptions and Part Numbers.....</b>	<b>2</b>
<b>Table 4.1 TTL-232RG Generic Cables Signal Descriptions .....</b>	<b>8</b>
<b>Table 4.2 TTL-232RG-VSW3V3-WE I/O Operating Parameters .....</b>	<b>9</b>
<b>Table 4.3 TTL-232RG-VSW3V3-WE I/O Pin Characteristics .....</b>	<b>9</b>
<b>Table 4.4 TTL-232RG-VREG3V3-WE I/O Operating Parameters.....</b>	<b>9</b>
<b>Table 4.5 TTL-232RG-VREG3V3 Pin Characteristics .....</b>	<b>9</b>
<b>Table 4.6 TTL-232RG-VREG1V8 I/O Operating Parameters .....</b>	<b>10</b>
<b>Table 4.7 TTL-232RG-VREG1V8-WE I/O Pin Characteristics .....</b>	<b>10</b>
<b>Table 4.8 TTL-232RG-VSW5V-WE I/O Operating Parameters .....</b>	<b>10</b>
<b>Table 4.9 TTL-232RG-VSW5V-WE I/O Pin Characteristics .....</b>	<b>10</b>
<b>Table 4.10 TTL-232RG-VIP-WE I/O Operating Parameters.....</b>	<b>11</b>
<b>Table 4.11 TTL-232RG-VIP-WE I/O Pin Characteristics .....</b>	<b>11</b>
<b>Default Internal EEPROM Configuration.....</b>	<b>13</b>

## **Appendix B – Revision History**

Version draft	Initial draft	27 <sup>th</sup> October 2009
Version 1.0	Revision 1.0	17 <sup>th</sup> November 2009
Version 1.1	Modified note references in table on p2 Modified List of Tables formatting	2 <sup>nd</sup> April 2010

Компания «Life Electronics» занимается поставками электронных компонентов импортного и отечественного производства от производителей и со складов крупных дистрибьюторов Европы, Америки и Азии.

С конца 2013 года компания активно расширяет линейку поставок компонентов по направлению коаксиальный кабель, кварцевые генераторы и конденсаторы (керамические, пленочные, электролитические), за счёт заключения дистрибьюторских договоров

Мы предлагаем:

- Конкурентоспособные цены и скидки постоянным клиентам.
- Специальные условия для постоянных клиентов.
- Подбор аналогов.
- Поставку компонентов в любых объемах, удовлетворяющих вашим потребностям.
- Приемлемые сроки поставки, возможна ускоренная поставка.
- Доставку товара в любую точку России и стран СНГ.
- Комплексную поставку.
- Работу по проектам и поставку образцов.
- Формирование склада под заказчика.
- Сертификаты соответствия на поставляемую продукцию (по желанию клиента).
- Тестирование поставляемой продукции.
- Поставку компонентов, требующих военную и космическую приемку.
- Входной контроль качества.
- Наличие сертификата ISO.

В составе нашей компании организован Конструкторский отдел, призванный помогать разработчикам, и инженерам.

Конструкторский отдел помогает осуществить:

- Регистрацию проекта у производителя компонентов.
- Техническую поддержку проекта.
- Защиту от снятия компонента с производства.
- Оценку стоимости проекта по компонентам.
- Изготовление тестовой платы монтаж и пусконаладочные работы.



Тел: +7 (812) 336 43 04 (многоканальный)  
Email: [org@lifeelectronics.ru](mailto:org@lifeelectronics.ru)