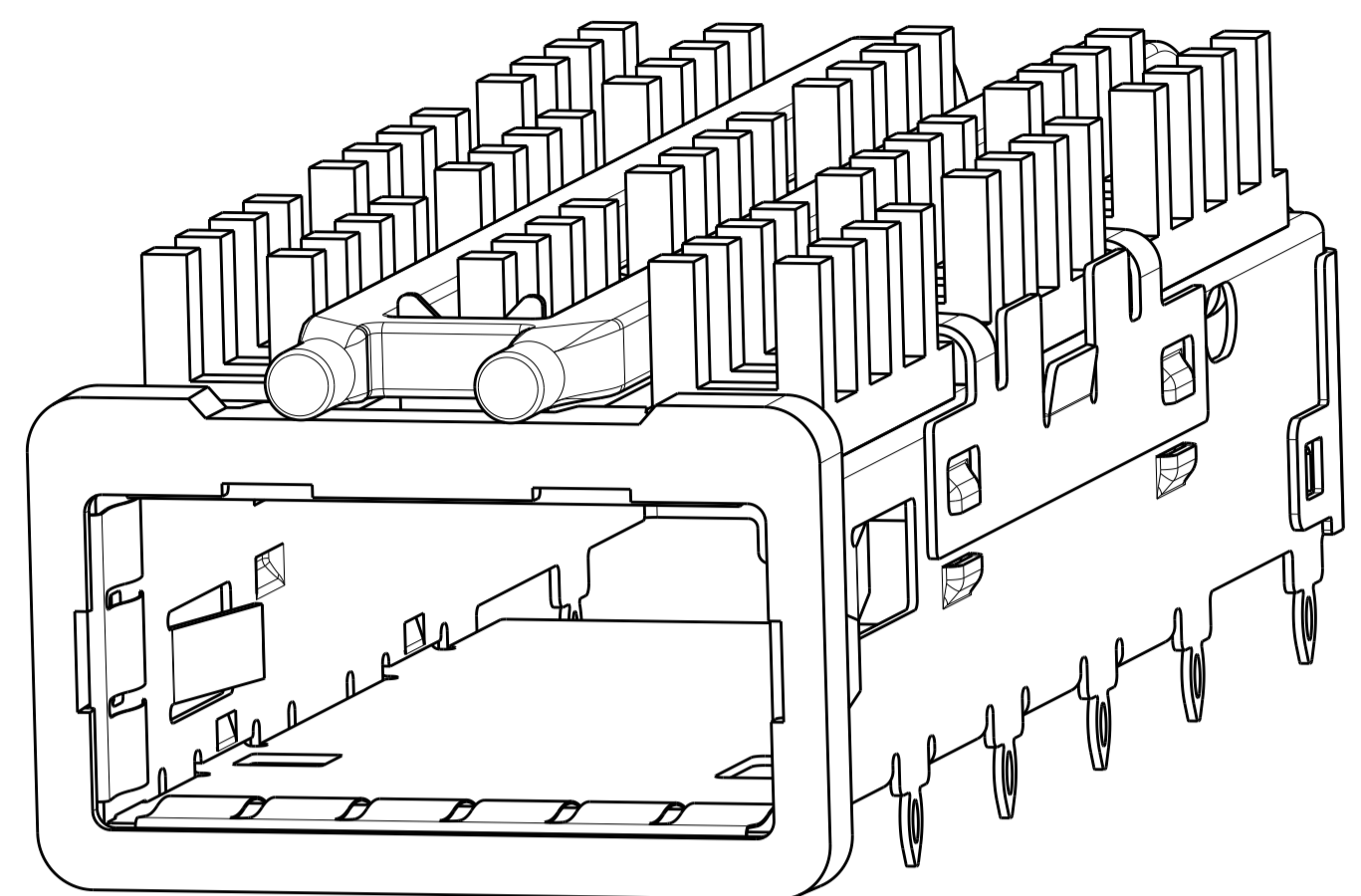
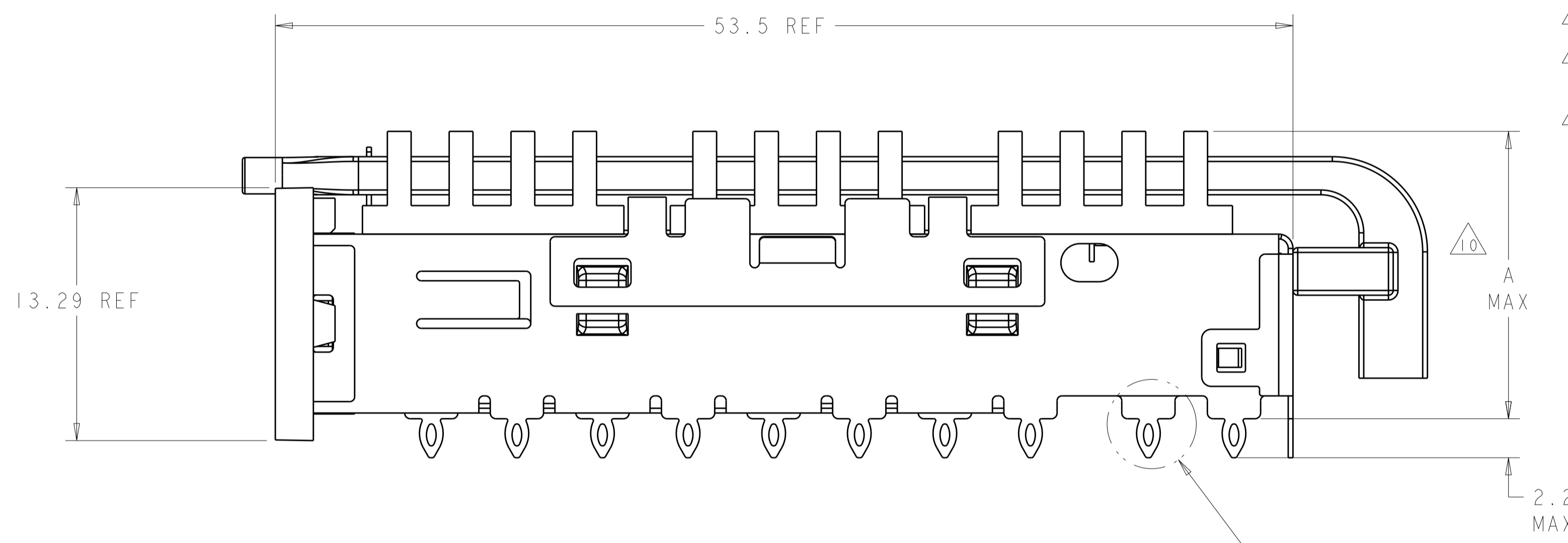
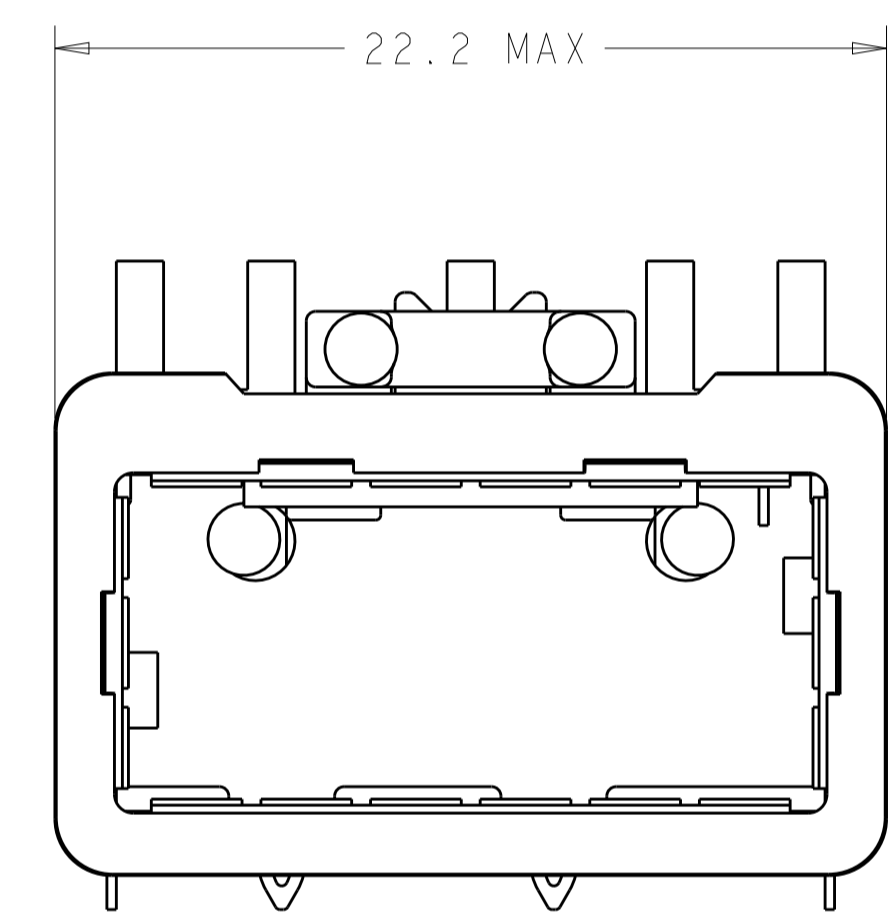


LOC	DIST	REVISIONS					
GP	00	P	LTN	DESCRIPTION	DATE	DWN	APVD
		2		PRELIMINARY	20JUN2011	AL	CW
		3		REVISED PER ECO-14-018993	3MAR2015	RG	MC

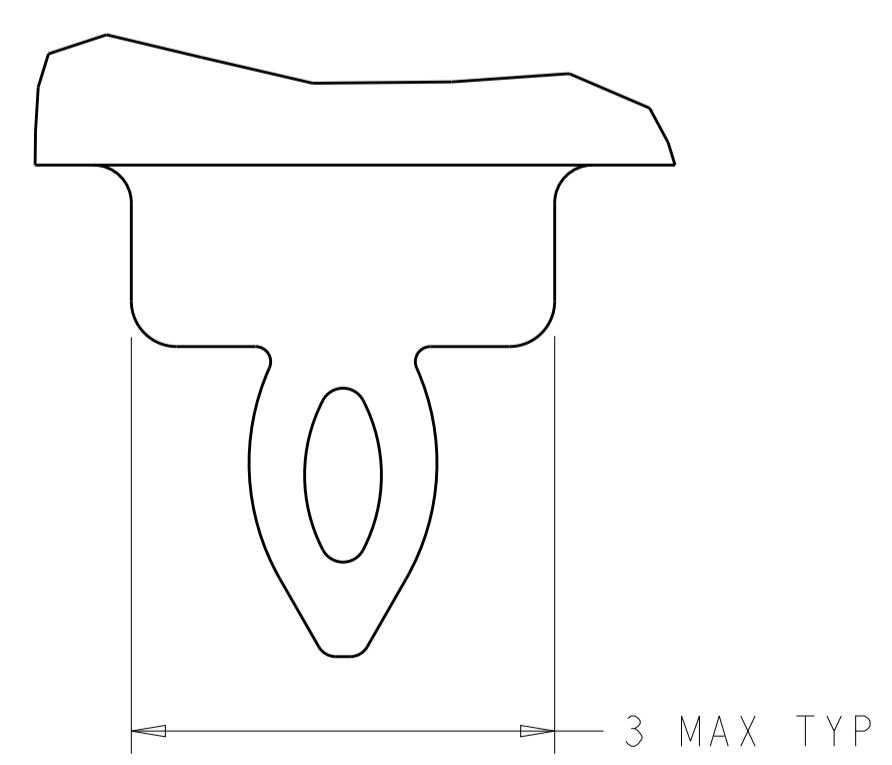


- △ CAGE MATERIAL: NICKEL SILVER, 0.25 THICK
 HEAT SINK MATERIAL: ALUMINUM
 HEAT SINK CLIP MATERIAL: STAINLESS STEEL
 EMI SPRING MATERIAL: COPPER ALLOY
 FRONT FLANGE MATERIAL: ZINC ALLOY
- △ MINIMUM PITCH DIMENSION.
- 3. MATES WITH QSFP MSA COMPATIBLE TRANSCEIVER.
- △ REFERENCE APPLICATION SPEC 114-13218 FOR RECOMMENDED DRILL HOLE DIAMETER AND PLATING THICKNESS.
- △ DATUMS AND BASIC DIMENSIONS ESTABLISHED BY CUSTOMER.
- △ DIMENSION C IS THE NOMINAL THICKNESS OF CUSTOMER SUPPLIED PC BOARD.
 SINGLE SIDED PC BOARD MINIMUM THICKNESS: 1.45
 DOUBLE SIDED PC BOARD MINIMUM THICKNESS: 2.7.
- △ HEAT SINK AND CLIP AND LIGHT PIPE SHIPPED ASSEMBLED TO CAGE ASSEMBLY CAGE ASSEMBLY MAY BE PRESSED INTO THE PCB AS SHIPPED.
- △ DATUM -A- IS TOP SURFACE OF HOST BOARD.
- △ SURFACE TRACES PERMITTED WITHIN THIS AREA EXCEPT WHERE CAGE STANDOFFS, SHOWN IN DETAIL J, CONTACT PC BOARD.
- △ DIMENSION APPLIES WITH MODULE INSTALLED IN THE CAGE.
- △ DATE CODE (YYWW) MARKED ON TOP OF CAGE AND CONCEALED BY HEAT SINK APPLIES TO CAGE ASSEMBLY ONLY.
- △ EMI SPRING FINISH: 2um MIN TIN.
 FRONT FLANGE FINISH: 3um MIN TIN OVER 1.27um MIN NICKEL OVER 5.08um MIN COPPER.
 HEAT SINK FINISH: 0.076um MIN NICKEL PLATING.
- 13. PRODUCT HAS NOT COMPLETED QUALIFICATION TESTING.

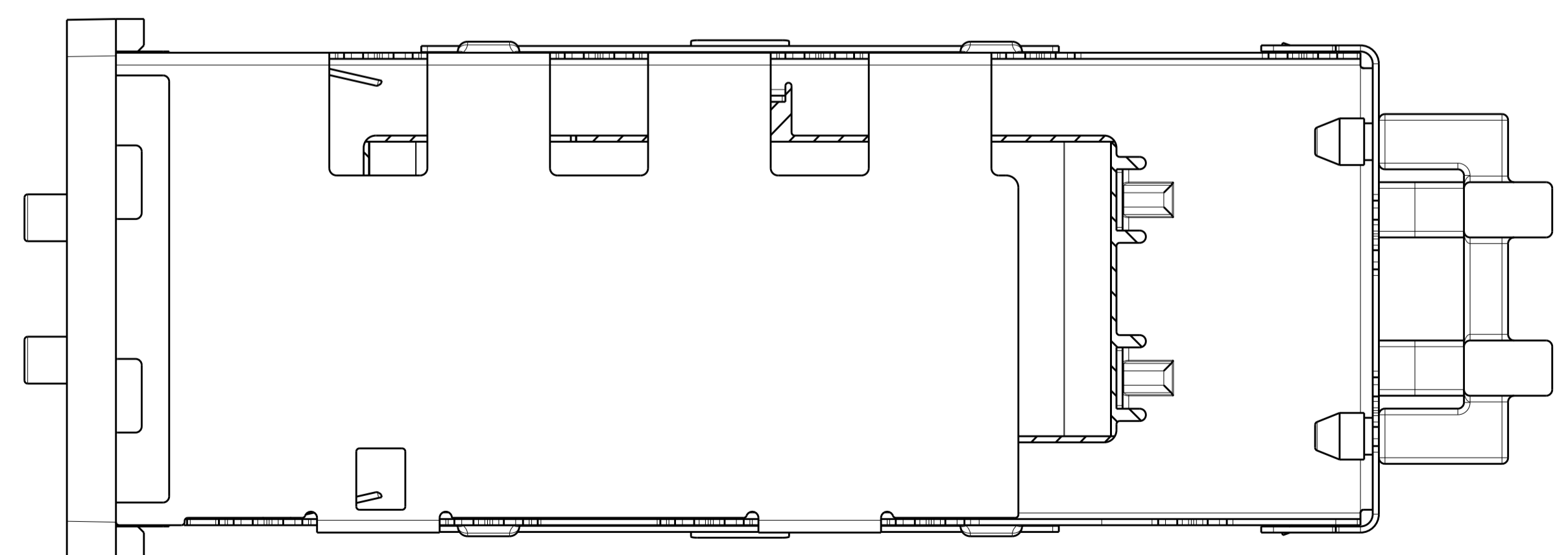


2170112-2 AS SHOWN

SEE DETAIL J



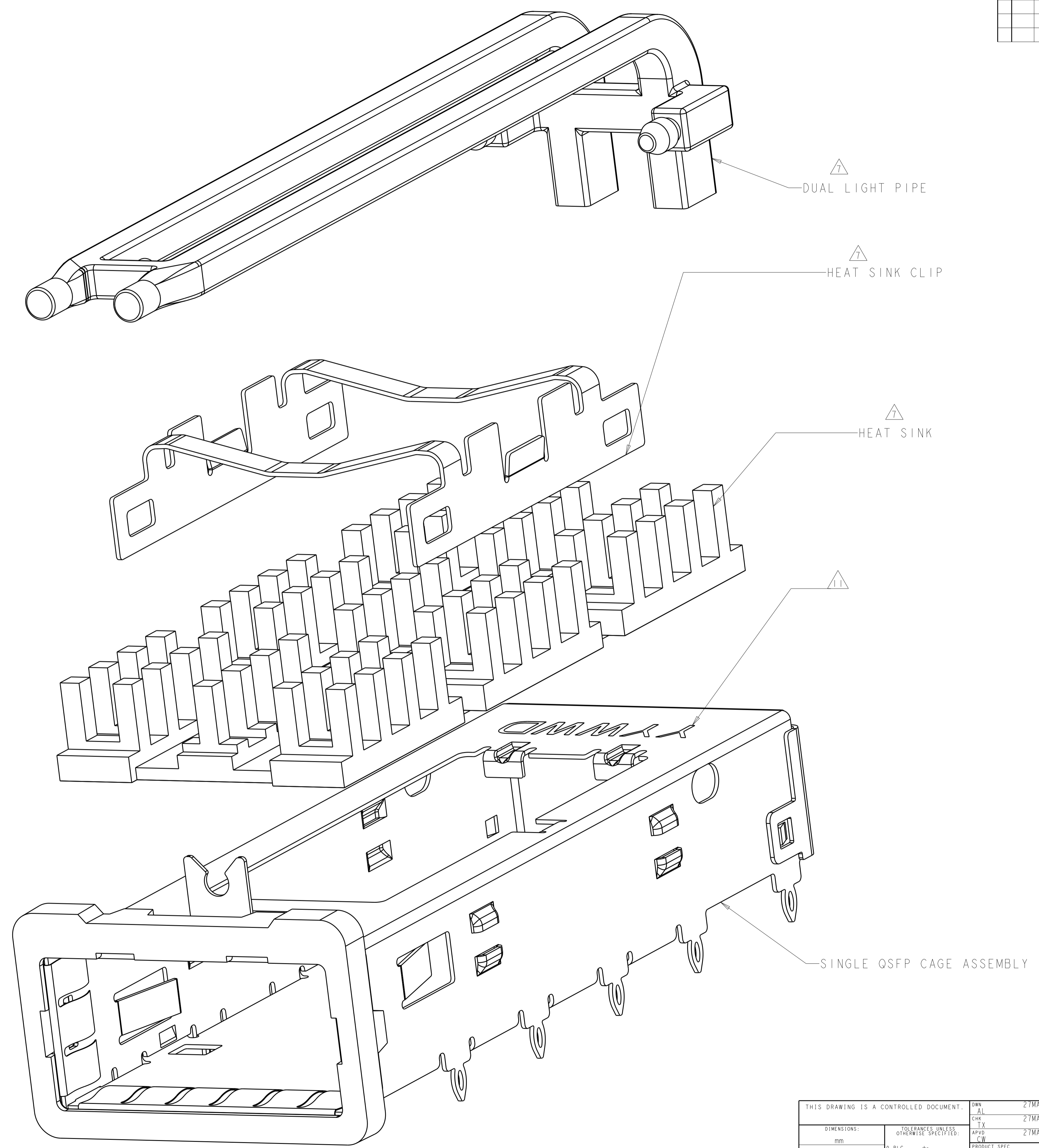
DETAIL J △
 SCALE 20:1



23.0	NETWORKING HEAT SINK	2170112-3
16.0	SAN HEAT SINK (SHOWN)	2170112-2
13.7	PCI HEAT SINK	2170112-1
A	DESCRIPTION	PART NUMBER

THIS DRAWING IS A CONTROLLED DOCUMENT.		DWN: AL 27MAY2011	TE Connectivity	
DIMENSIONS:		CHK: TX 27MAY2011		
TOLERANCES UNLESS OTHERWISE SPECIFIED:		APVD: CW 27MAY2011	NAME: 1X1 CAGE ASSEMBLY, BEHIND BEZEL WITH HEAT SINK AND DUAL LIGHT PIPE QSFP	
mm	0 PLC ±0.5	PRODUCT SPEC: 108-2286	SIZE: CAGE CODE DRAWING NO. RESTRICTED TO	
	1 PLC ±0.13	APPLICATION SPEC: 114-13218	A100779C=2170112	
	3 PLC ±0.013	WEIGHT: -	Customer Drawing	
	4 PLC ±0.0001	SCALE: 5:1	SHEET 1 OF 5	
	ANGLES ±0.0001	REV: 3		
MATERIAL: △	FINISH: △2			

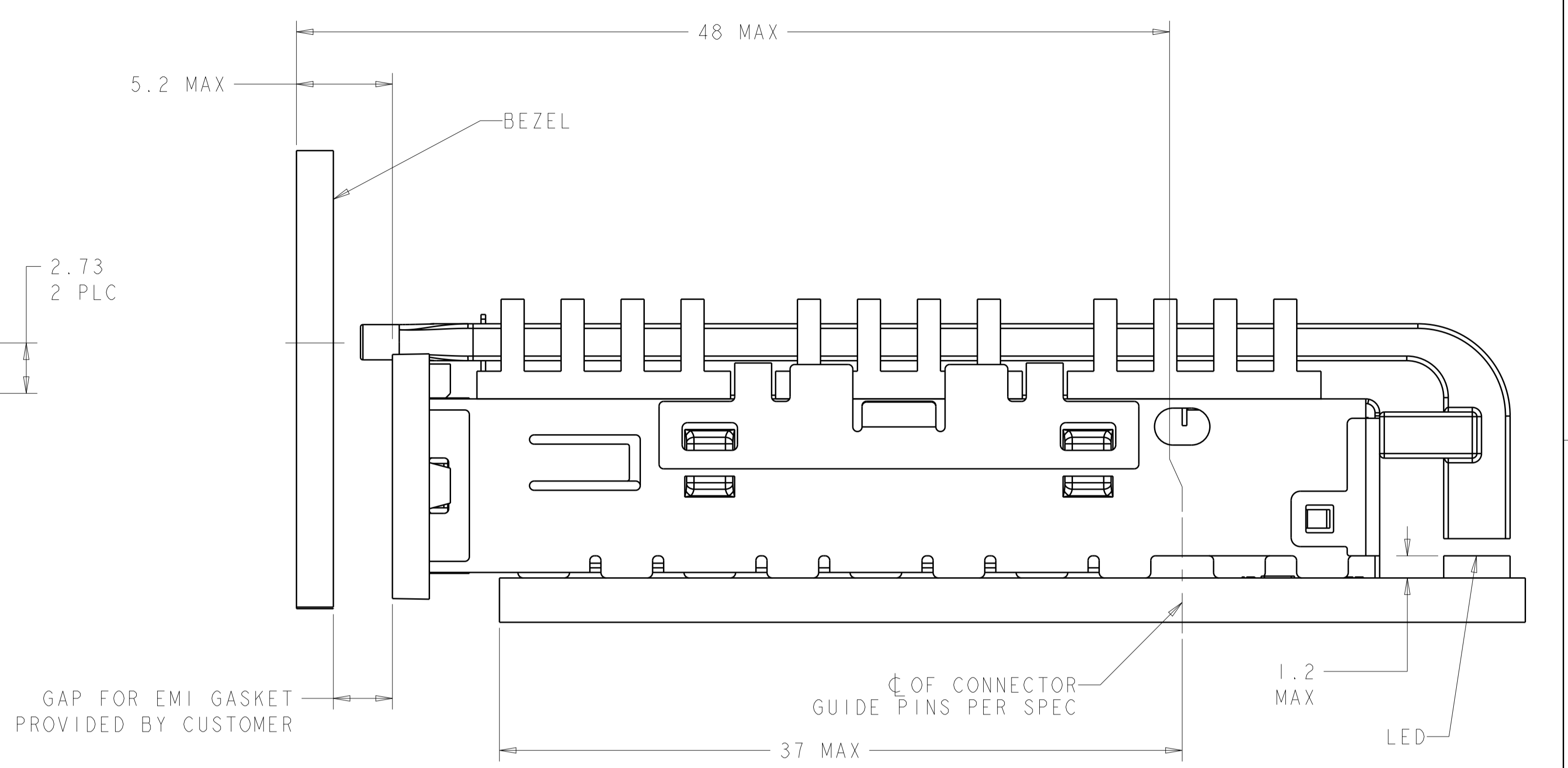
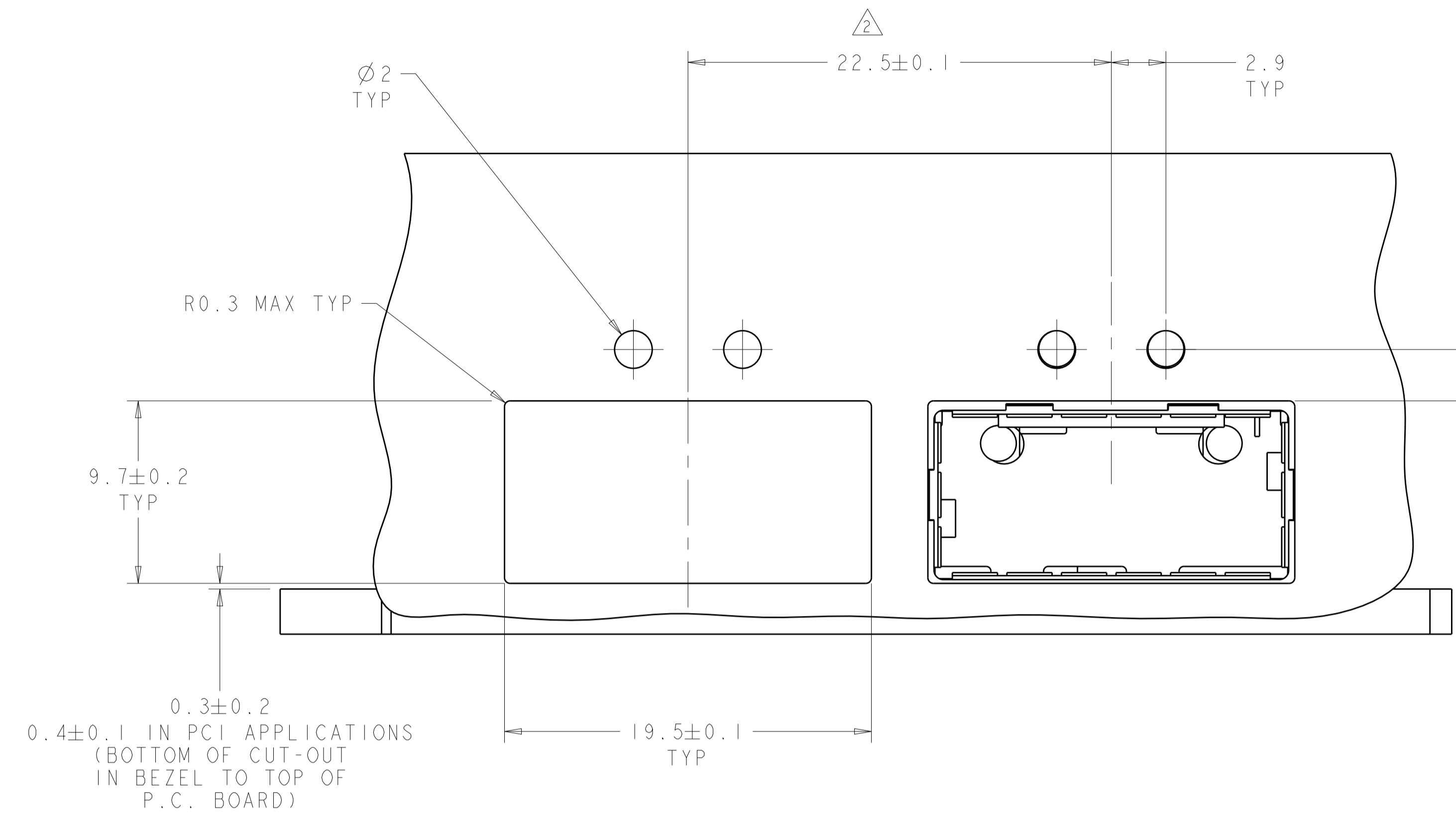
LOC	DIST	REVISIONS					
GP	00	P.	LYR	DESCRIPTION	DATE	DWN	APVD
		-		SEE SHEET 1			



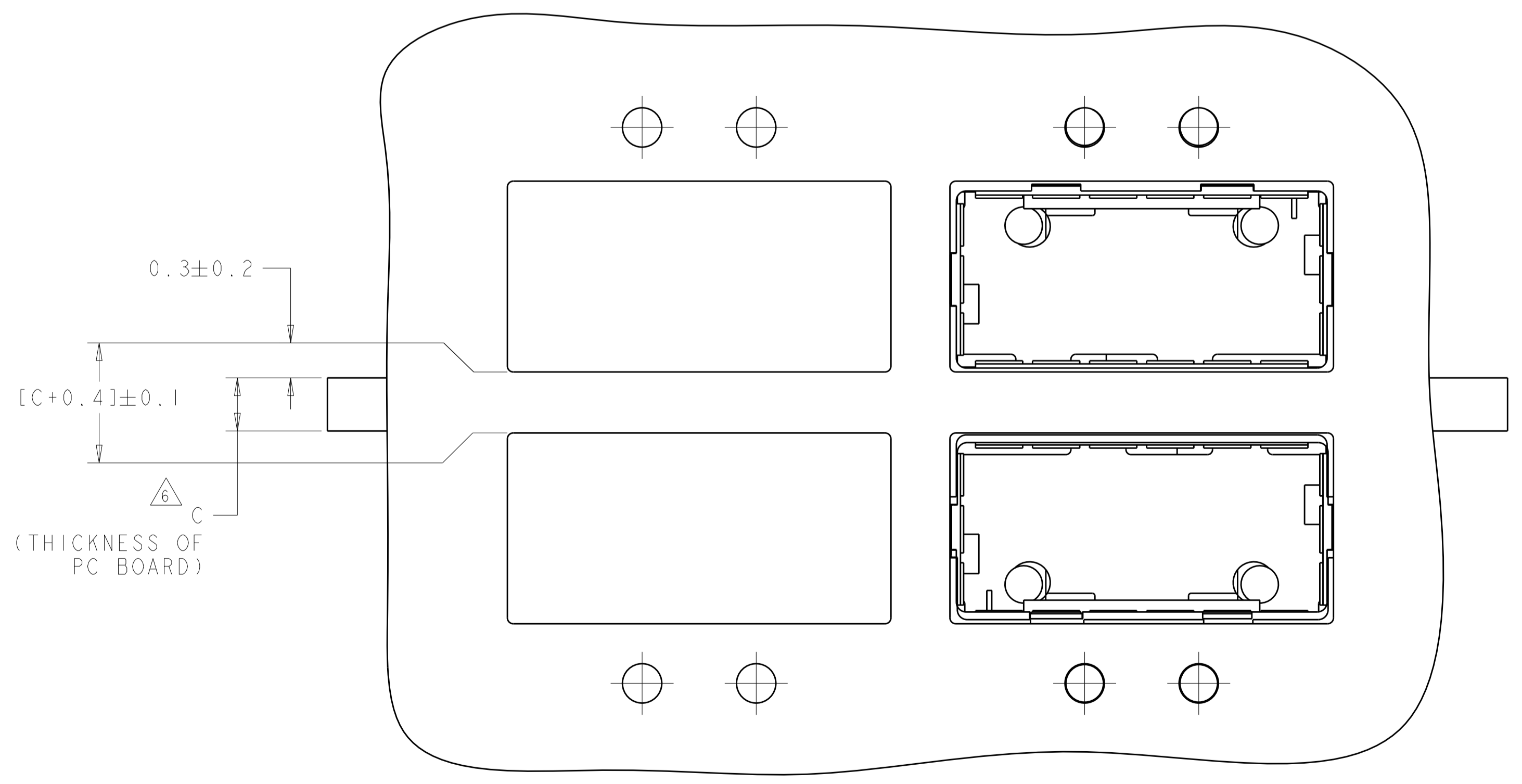
EXPLODED VIEW
 SCALE 8:1

THIS DRAWING IS A CONTROLLED DOCUMENT.		DWN: AL	27MAY2011	STE TE Connectivity
		CHK: TX	27MAY2011	
DIMENSIONS:		TOLERANCES UNLESS OTHERWISE SPECIFIED:		NAME: 1XI CAGE ASSEMBLY, BEHIND BEZEL WITH HEAT SINK AND DUAL LIGHT PIPE QSPF
mm	0 PLC ±0.5	1 PLC ±0.13	2 PLC ±0.013	
MATERIAL:		FINISH:		SIZE: CAGE CODE DRAWING NO. RESTRICTED TO
				A100779C=2170112
		WEIGHT: 114-13218		Customer Drawing
		SCALE: 5:1		SHEET 2 OF 5
				REV 3

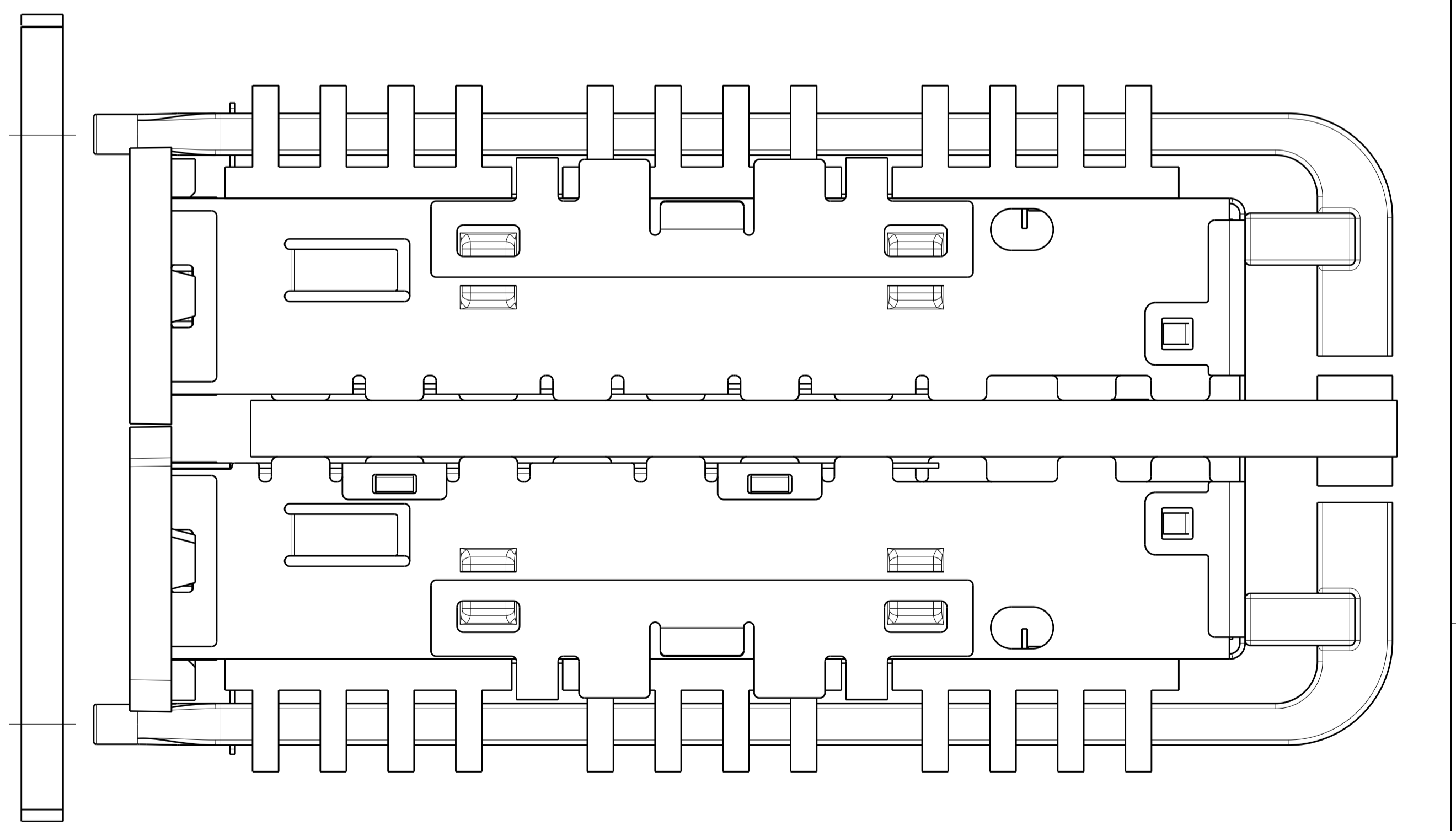
LOC	DIST	REV	DATE	BY	APP'D
GP	00				
REVISIONS					
DESCRIPTION			DATE	BY	APP'D
SEE SHEET 1			-	-	-



ONE SIDED CONFIGURATION



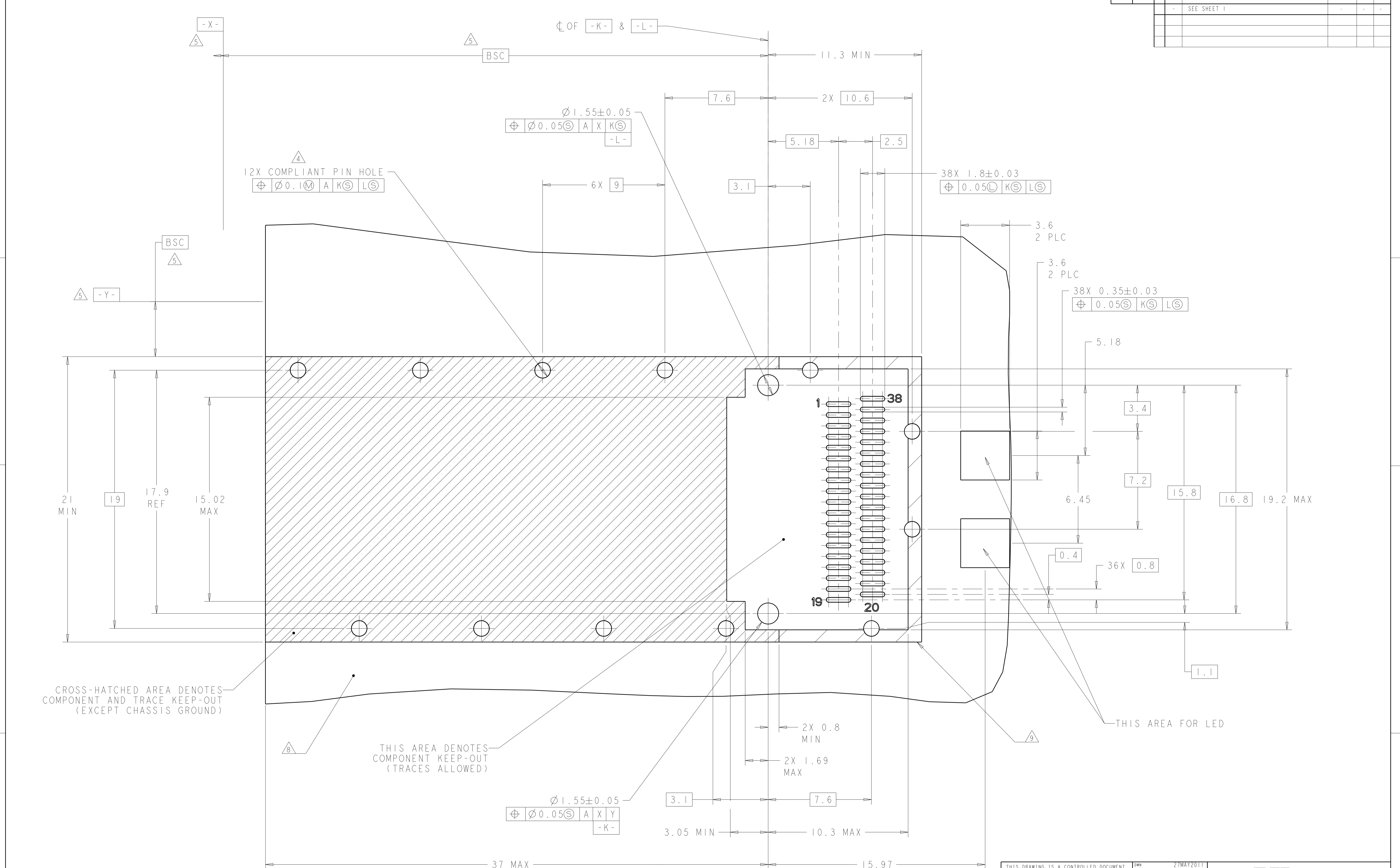
BELLY TO BELLY CONFIGURATION
 SIMILAR TO ONE SIDED EXCEPT
 WHERE NOTED



THIS DRAWING IS A CONTROLLED DOCUMENT.		OWN: 27MAY2011	 TE Connectivity
DIMENSIONS: mm		CHK: 27MAY2011	
TOLERANCES UNLESS OTHERWISE SPECIFIED:		APP'D: 27MAY2011	
0 PLC ± 0.5 1 PLC ± 0.13 2 PLC ± 0.13 3 PLC ± 0.13 4 PLC ± 0.001 ANGLES ± 0.0001		PRODUCT SPEC: 108-2286 APPLICATION SPEC: 114-13218 WEIGHT: -	
MATERIAL: -		FINISH: -	NAME: 1XI CAGE ASSEMBLY, BEHIND BEZEL WITH HEAT SINK AND DUAL LIGHT PIPE QSFP SIZE: CAGE CODE DRAWING NO: A100779C=2170112 RESTRICTED TO: -
Customer Drawing		SCALE: 5:1	SHEET 3 OF 5 REV 3

LOC	DIST	REV	DATE	BY	APPD
GP	00				

REVISIONS			
REV	DATE	BY	APPD
-	-	-	-
-	-	-	-




CROSS-HATCHED AREA DENOTES COMPONENT AND TRACE KEEP-OUT (EXCEPT CHASSIS GROUND)

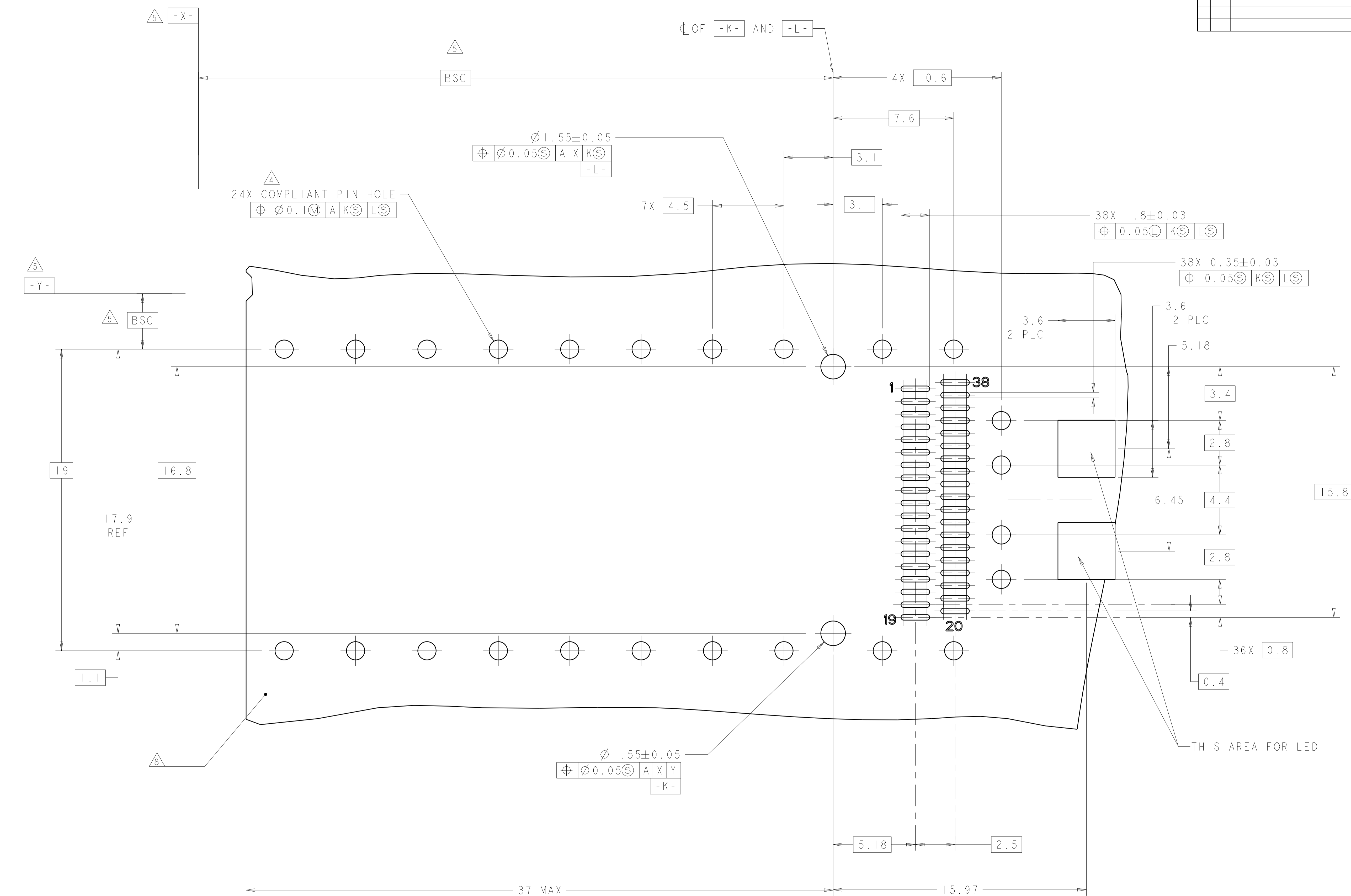
THIS AREA DENOTES COMPONENT KEEP-OUT (TRACES ALLOWED)

THIS AREA FOR LED

RECOMMENDED PCB LAYOUT
 SINGLE SIDED CONFIGURATION
 SCALE 8:1

THIS DRAWING IS A CONTROLLED DOCUMENT.		OWN: 27MAY2011	 TE Connectivity
		CHK: 27MAY2011	
DIMENSIONS: mm		APPD: 27MAY2011	NAME: 1XI CAGE ASSEMBLY, BEHIND BEZEL WITH HEAT SINK AND DUAL LIGHT PIPE QSFP
TOLERANCES UNLESS OTHERWISE SPECIFIED:		PRODUCT SPEC: 108-2286	SIZE: CAGE CODE DRAWING NO: A100779C=2170112
0 PLC ±0.5		APPLICATION SPEC: 114-13218	RESTRICTED TO: -
1 PLC ±0.13		WEIGHT: -	SCALE: 4:1 SHEET 4 OF 5 REV 3
2 PLC ±0.013		MATERIAL: -	
3 PLC ±0.013		FINISH: -	
4 PLC ±0.0001			
ANGLES ±0.0001			
MATERIAL: -			
FINISH: -			
		Customer Drawing	

LOC		DIST		REVISONS			
P	LTN	DESCRIPTION	DATE	DWN	APVD		
-	-	SEE SHEET 1	-	-	-	-	-



RECOMMENDED PCB LAYOUT
 BELLY TO BELLY CONFIGURATION
 SEE SHEET 4 FOR KEEP OUT AREAS
 SCALE 8:1

THIS DRAWING IS A CONTROLLED DOCUMENT.		DWN: 27MAY2011	TE Connectivity
DIMENSIONS: mm		CHK: 27MAY2011	
		APVD: 27MAY2011	NAME: 1XI CAGE ASSEMBLY, BEHIND BEZEL WITH HEAT SINK AND DUAL LIGHT PIPE QSFP
TOLERANCES UNLESS OTHERWISE SPECIFIED:		PRODUCT SPEC: 108-2286	SIZE: A100779C=2170112
0 PLC ±0.5		APPLICATION SPEC: 114-13218	RESTRICTED TO: -
1 PLC ±0.13		WEIGHT: -	SCALE: 4:1
2 PLC ±0.013		Customer Drawing	SHEET 5 OF 5
3 PLC ±0.001			REV 3
4 PLC ±0.0001			
ANGLES ±0.0001			
FINISH: -			

Компания «Life Electronics» занимается поставками электронных компонентов импортного и отечественного производства от производителей и со складов крупных дистрибьюторов Европы, Америки и Азии.

С конца 2013 года компания активно расширяет линейку поставок компонентов по направлению коаксиальный кабель, кварцевые генераторы и конденсаторы (керамические, пленочные, электролитические), за счёт заключения дистрибьюторских договоров

Мы предлагаем:

- Конкурентоспособные цены и скидки постоянным клиентам.
- Специальные условия для постоянных клиентов.
- Подбор аналогов.
- Поставку компонентов в любых объемах, удовлетворяющих вашим потребностям.
- Приемлемые сроки поставки, возможна ускоренная поставка.
- Доставку товара в любую точку России и стран СНГ.
- Комплексную поставку.
- Работу по проектам и поставку образцов.
- Формирование склада под заказчика.
- Сертификаты соответствия на поставляемую продукцию (по желанию клиента).
- Тестирование поставляемой продукции.
- Поставку компонентов, требующих военную и космическую приемку.
- Входной контроль качества.
- Наличие сертификата ISO.

В составе нашей компании организован Конструкторский отдел, призванный помогать разработчикам, и инженерам.

Конструкторский отдел помогает осуществить:

- Регистрацию проекта у производителя компонентов.
- Техническую поддержку проекта.
- Защиту от снятия компонента с производства.
- Оценку стоимости проекта по компонентам.
- Изготовление тестовой платы монтаж и пусконаладочные работы.



Тел: +7 (812) 336 43 04 (многоканальный)
Email: org@lifeelectronics.ru