

## 1:4 Clock Driver for Intel PCIe® Chipsets

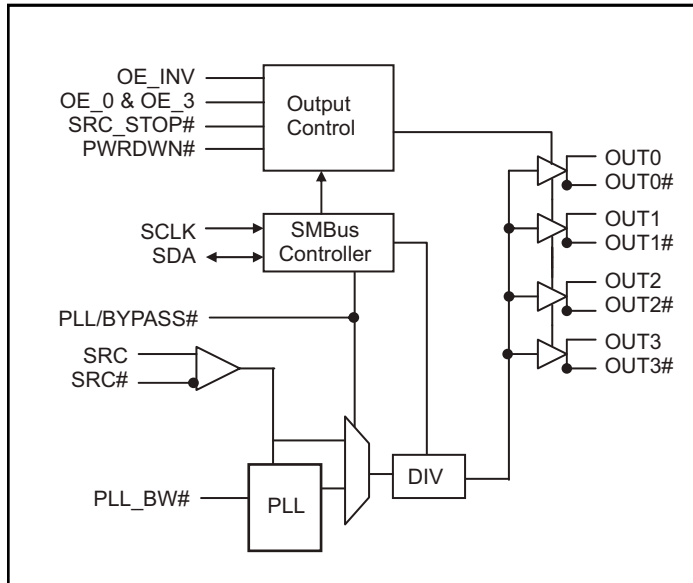
### Features

- Phase jitter filter for PCIe® 2.0 application
- Four Pairs of Differential Clocks
- Low skew < 50ps
- Low jitter < 50ps cycle-to-cycle
- < 1 ps additive RMS phase jitter
- Output Enable for all outputs
- Outputs tristate control via SMBus
- Programmable PLL Bandwidth
- 100 MHz PLL Mode operation
- 100 - 400 MHz Bypass Mode operation
- 3.3V Operation
- Packaging (Pb-free and Green):
  - 28-Pin SSOP (H28)
  - 28-Pin TSSOP (L28)

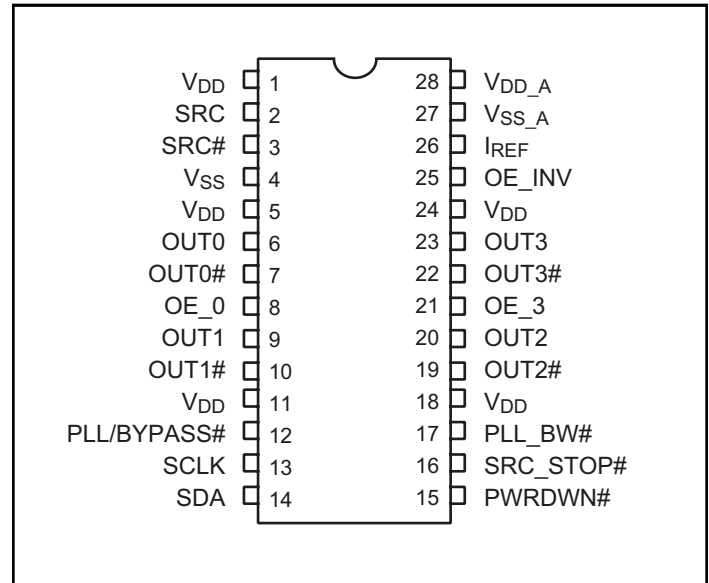
### Description

Pericom Semiconductor's PI6C20400A is a PCIe® 2.0 compliant high-speed, low-noise differential clock buffer designed to be companion to PI6C410BS. The device distributes the differential SRC clock from PI6C410BS to four differential pairs of clock outputs either with or without PLL. The clock outputs are controlled by input selection of SRC\_STOP#, PWRDWN# and SMBus, SCLK and SDA. When input of either SRC\_STOP# or PWRDWN# is low, the output clocks are Tristated. When PWRDWN# is low, the SDA and SCLK inputs must be Tri-stated.

### Block Diagram



### Pin Configuration



### Pin Descriptions

Pin Name	Type	Pin No	Description
SRC & SRC#	Input	2, 3	0.7V Differential SRC input from PI6C410 clock synthesizer
OE_0 & OE_3	Input	8, 21	3.3V LVTTTL input for enabling outputs, active high. OE_0 for OUT0 / OUT0# OE_3 for OUT3 / OUT3#
OE_INV	Input	25	3.3V LVTTTL input for inverting the OE, SRC_STOP# and PWRDWN# pins. When 0 = same stage When 1 = OE_0, OE_3, SRC_STOP#, PWRDWN# inverted.
OUT[0:3] & OUT[0:3]#	Output	6, 7, 9, 10, 19, 20, 22, 23	0.7V Differential outputs
PLL/BYPASS#	Input	12	3.3V LVTTTL input for selecting fan-out of PLL operation.
SCLK	Input	13	SMBus compatible SCLOCK input
SDA	I/O	14	SMBus compatible SDATA
IREF	Input	26	External resistor connection to set the differential output current
SRC_STOP#	Input	16	3.3V LVTTTL input for SRC stop, active low
PLL_BW#	Input	17	3.3V LVTTTL input for selecting the PLL bandwidth
PWRDWN#	Input	15	3.3V LVTTTL input for Power Down operation, active low
VDD	Power	1, 5, 11, 18, 24	3.3V Power Supply for Outputs
VSS	Ground	4	Ground for Outputs
VSS_A	Ground	27	Ground for PLL
VDD_A	Power	28	3.3V Power Supply for PLL

### Serial Data Interface (SMBus)

This part is a slave only SMBus device that supports indexed block read and indexed block write protocol using a single 7-bit address and read/write bit as shown below.

### Address Assignment

A6	A5	A4	A3	A2	A1	A0	W/R
1	1	0	1	1	1	0	0/1

### Data Protocol

1 bit	7 bits	1	1	8 bits	1	8 bits	1	8 bits	1		8 bits	1	1 bit
Start bit	Slave Addr	R/W	Ack	Register offset	Ack	Byte Count = N	Ack	Data Byte 0	Ack	...	Data Byte N - 1	Ack	Stop bit

#### Notes:

- Register offset for indicating the starting register for indexed block write and indexed block read. Byte Count in write mode cannot be 0.

**Data Byte 0: Control Register**

Bit	Descriptions	Type	Power Up Condition	Output(s) Affected	Source Pin
0	Outputs Mode 0 = Divide by 2 1 = Normal	RW	1 = Normal	OUT[0:3], OUT[0:3]#	NA
1	PLL/BYPASS# 0 = Fanout 1 = PLL	RW	1 = PLL	OUT[0:3], OUT[0:3]#	NA
2	PLL Bandwidth 0 = High Bandwidth, 1 = Low Bandwidth	RW	1 = Low	OUT[0:3], OUT[0:3]#	NA
3	Reserved				NA
4	Reserved				NA
5	Reserved				NA
6	SRC_STOP# 0 = Driven when stopped 1 = Tristate	RW	0 = Driven when stopped	OUT[0:3], OUT[0:3]#	NA
7	PWRDWN# 0 = Driven when stopped 1 = Tristate	RW	0 = Driven when stopped	OUT[0:3], OUT[0:3]#	NA

**Data Byte 1: Control Register**

Bit	Descriptions	Type	Power Up Condition	Output(s) Affected	Source Pin
0	Reserved				NA
1	OUTPUTS enable 1 = Enabled	RW	1 = Enabled	OUT0, OUT0#	NA
2	0 = Disabled	RW	1 = Enabled	OUT1, OUT1#	NA
3	Reserved				NA
4	Reserved				NA
5	OUTPUTS enable 1 = Enabled	RW	1 = Enabled	OUT2, OUT2#	NA
6	0 = Disabled	RW	1 = Enabled	OUT3, OUT3#	NA
7	Reserved				NA

### Data Byte 2: Control Register

Bit	Descriptions	Type	Power Up Condition	Output(s) Affected	Source Pin
0	Reserved				NA
1	Allow control of OUTPUTS with assertion of SRC_STOP# 0 = Free running 1 = Stopped with SRC_Stop#	RW	0 = Free running	OUT0, OUT0#	NA
2		RW	0 = Free running	OUT1, OUT1#	NA
3	Reserved				NA
4	Reserved				NA
5	Allow control of OUTPUTS with assertion of SRC_STOP# 0 = Free running 1 = Stopped with SRC_Stop#	RW	0 = Free running	OUT2, OUT2#	NA
6		RW	0 = Free running	OUT3, OUT3#	NA
7	Reserved				NA

### Data Byte 3: Control Register

Bit	Descriptions	Type	Power Up Condition	Output(s) Affected	Source Pin
0	Reserved	RW			
1		RW			
2		RW			
3		RW			
4		RW			
5		RW			
6		RW			
7		RW			

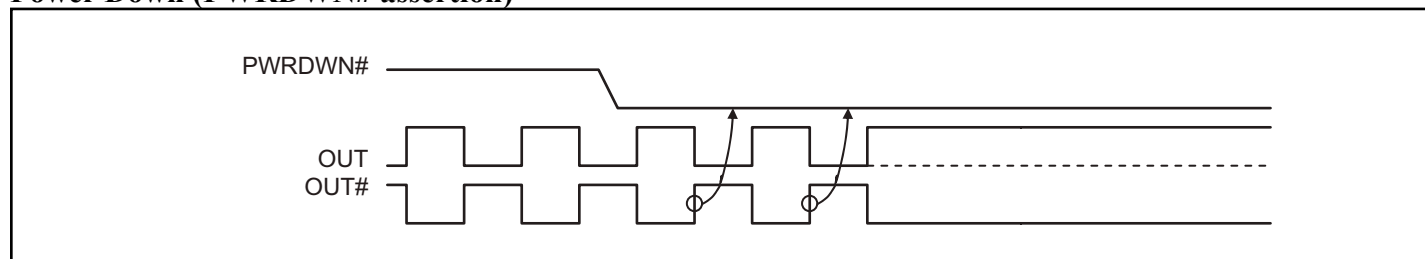
### Data Byte 4: Pericom ID Register

Bit	Descriptions	Type	Power Up Condition	Output(s) Affected	Pin
0	Pericom ID	R	0	NA	NA
1		R	0	NA	NA
2		R	0	NA	NA
3		R	0	NA	NA
4		R	0	NA	NA
5		R	1	NA	NA
6		R	0	NA	NA
7		R	0	NA	NA

**Functionality**

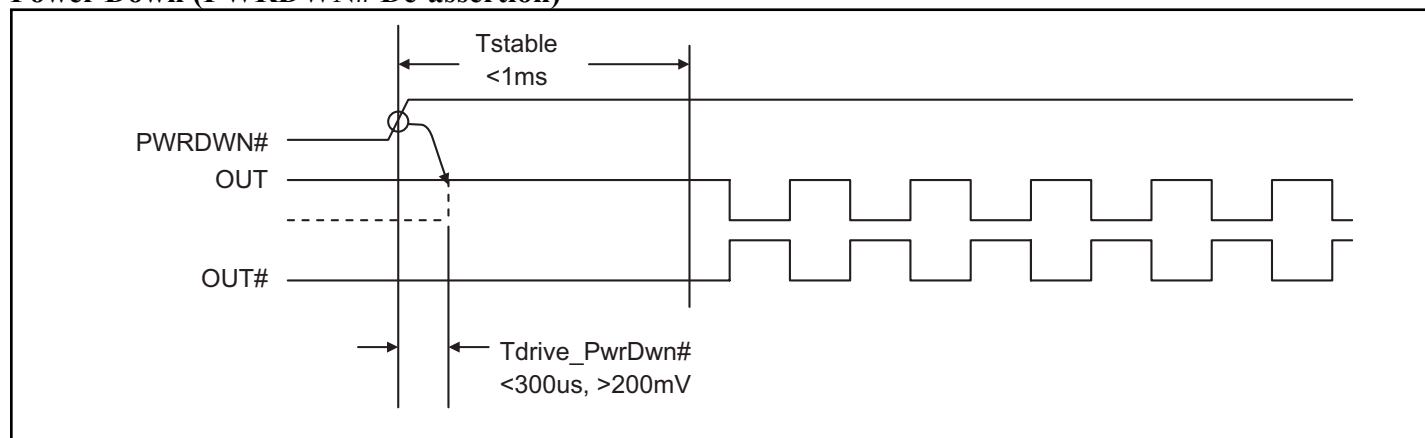
PWRDWN#	OUT	OUT#	SRC_Stop#	OUT	OUT#
1	Normal	Normal	1	Normal	Normal
0	$I_{REF} \times 2$ or Float	Low	0	$I_{REF} \times 6$ or Float	Low

**Power Down (PWRDWN# assertion)**



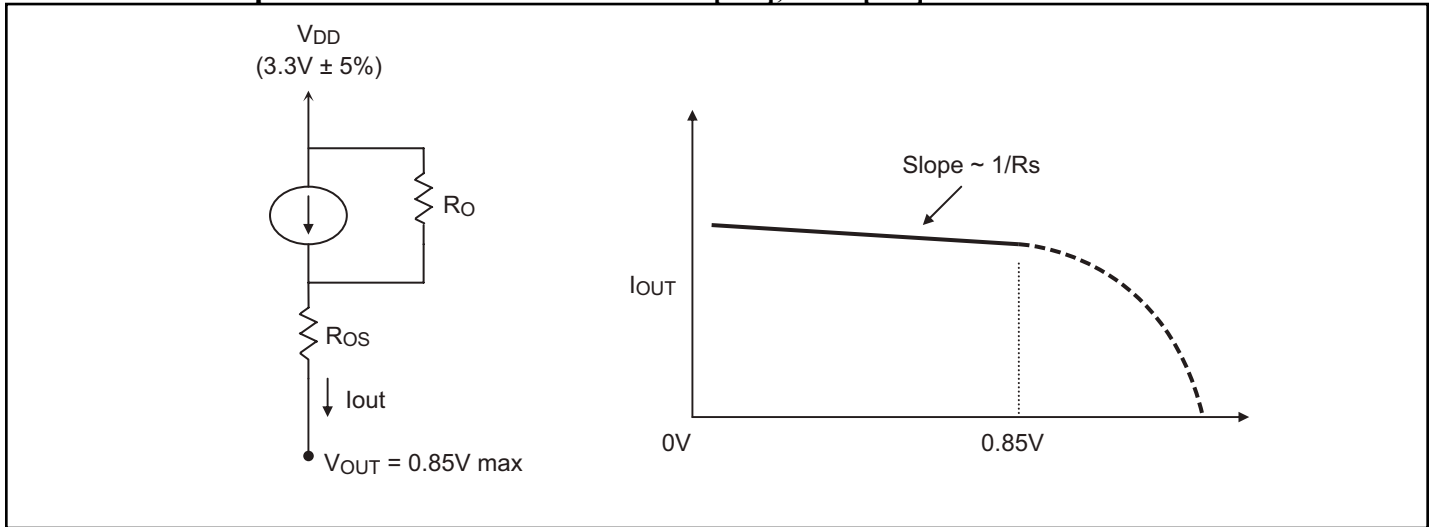
**Figure 1. Power down sequence**

**Power Down (PWRDWN# De-assertion)**



**Figure 2. Power down de-assert sequence**

**Current-mode output buffer characteristics of OUT[0:3], OUT[0:3]#**



**Figure 9. Simplified diagram of current-mode output buffer**

**Differential Clock Buffer characteristics**

Symbol	Minimum	Maximum
$R_o$	3000Ω	N/A
$R_{os}$	unspecified	unspecified
$V_{OUT}$	N/A	850mV

**Current Accuracy**

Symbol	Conditions	Configuration	Load	Min.	Max.
$I_{OUT}$	$V_{DD} = 3.30 \pm 5\%$	$R_{REF} = 475\Omega \text{ 1\%}$ $I_{REF} = 2.32\text{mA}$	Nominal test load for given configuration	-12% $I_{NOMINAL}$	+12% $I_{NOMINAL}$

**Note:**

- $I_{NOMINAL}$  refers to the expected current based on the configuration of the device.

**Differential Clock Output Current**

Board Target Trace/Term Z	Reference R, $I_{ref} = V_{DD}/(3xRr)$	Output Current	$V_{OH} @ Z$
100Ω (100Ω differential $\approx$ 15% coupling ratio)	$R_{REF} = 475\Omega \text{ 1\%}$ , $I_{REF} = 2.32\text{mA}$	$I_{OH} = 6 \times I_{REF}$	0.7V @ 50

**Absolute Maximum Ratings** (Over operating free-air temperature range)

Symbol	Parameters	Min.	Max.	Units
V <sub>DD_A</sub>	3.3V Core Supply Voltage	-0.5	4.6	V
V <sub>DD</sub>	3.3V I/O Supply Voltage	-0.5	4.6	
V <sub>IH</sub>	Input High Voltage		4.6	
V <sub>IL</sub>	Input Low Voltage	-0.5		
T <sub>s</sub>	Storage Temperature	-65	150	°C
V <sub>ESD</sub>	ESD Protection	2000		V

**Note:**

- Stress beyond those listed under “Absolute Maximum Ratings” may cause permanent damage to the device.

**DC Electrical Characteristics** (V<sub>DD</sub> = 3.3±5%, V<sub>DD\_A</sub> = 3.3±5%)

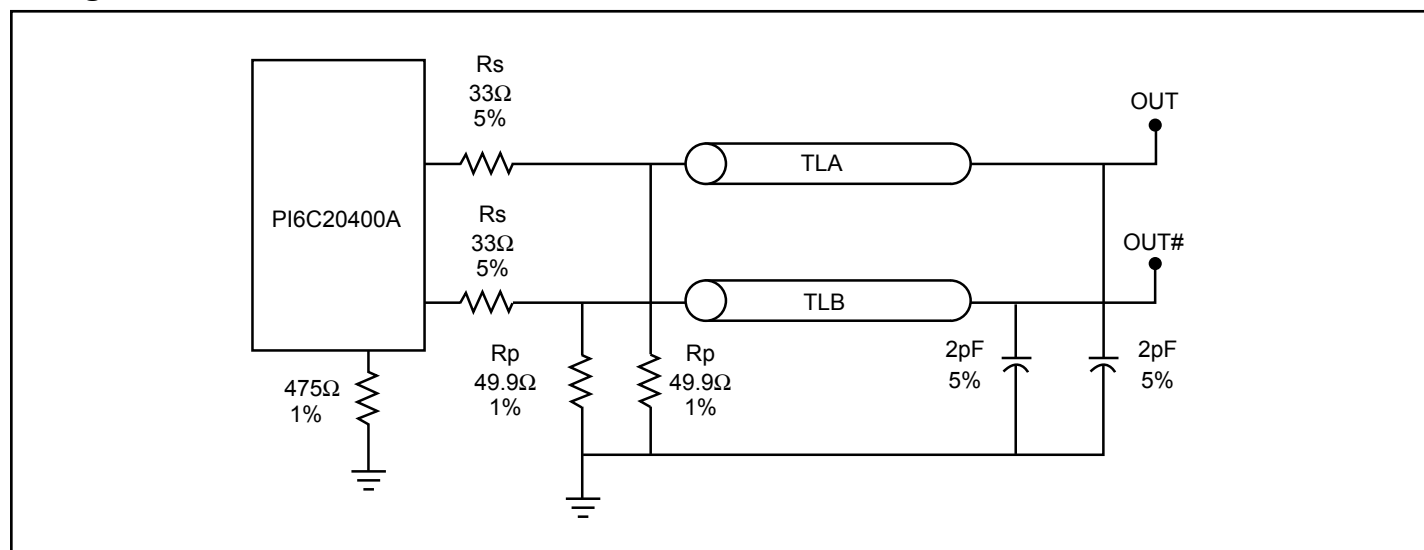
Symbol	Parameters	Condition	Min.	Max.	Units
V <sub>DD_A</sub>	3.3V Core Supply Voltage		3.135	3.465	V
V <sub>DD</sub>	3.3V I/O Supply Voltage		3.135	3.465	
V <sub>IH</sub>	3.3V Input High Voltage	V <sub>DD</sub>	2.0	V <sub>DD</sub> + 0.3	
V <sub>IL</sub>	3.3V Input Low Voltage		V <sub>SS</sub> - 0.3	0.8	
I <sub>IL</sub>	Input Leakage Current	0 < V <sub>IN</sub> < V <sub>DD</sub>	-5	+5	μA
V <sub>OH</sub>	3.3V Output High Voltage	I <sub>OH</sub> = -1mA	2.4		V
V <sub>OL</sub>	3.3V Output Low Voltage	I <sub>OL</sub> = 1mA		0.4	
I <sub>OH</sub>	Output High Current	I <sub>OH</sub> = 6 x I <sub>REF</sub> , I <sub>REF</sub> = 2.32mA	12.2	15.6	mA
C <sub>IN</sub>	Input Pin Capacitance		2	5	
C <sub>OUT</sub>	Output Pin Capacitance			6	pF
L <sub>PIN</sub>	Pin Inductance			7	
I <sub>DD(BYPASS)</sub>	Power Supply Current (PLL Bypass)	V <sub>DD</sub> = 3.465V, F <sub>CPU</sub> = 100MHz		90	mA
I <sub>DD</sub>	Power Supply Current	V <sub>DD</sub> = 3.465V	Bypass mode	100	
		F <sub>CPU</sub> = 100MHz	PLL mode	130	
I <sub>SS</sub>	Power Down Current	Driven outputs		40	
I <sub>SS</sub>	Power Down Current	Tristate outputs		12	
T <sub>A</sub>	Ambient Temperature		-40	85	°C

**AC Switching Characteristics** ( $V_{DD} = 3.3 \pm 5\%$ ,  $V_{DD\_A} = 3.3 \pm 5\%$ )

Symbol	Parameters	Min	Max.	Units	Notes
$F_{IN}$	PLL Mode	95	105	MHz	
	Bypass Mode	100	400	MHz	
$T_{rise} / T_{fall}$	Rise and Fall Time (measured between 0.175V to 0.525V)	175	700	ps	2
$DT_{rise} / DT_{fall}$	Rise and Fall Time Variation		125	ps	2
$T_{pd}$	PLL Mode		$\pm 250$	ps	
	Non-PLL Mode	2.5	6.5	ns	
$T_{jitter}$	Cycle – Cycle Jitter		50	ps	3, 4
$V_{HIGH}$	Voltage High including overshoot	660	1150	mV	2
$V_{LOW}$	Voltage Low including undershoot	-300		mV	2
$V_{cross}$	Absolute crossing point voltages	250	550	mV	2
$DV_{cross}$	Total Variation of $V_{cross}$ over all edges		140	mV	2
$T_{DC}$	Duty Cycle	45	55	%	3
$T_{jadd}$	Additive RMS phase jitter for PCIe 2.0	<0	1	ps	5

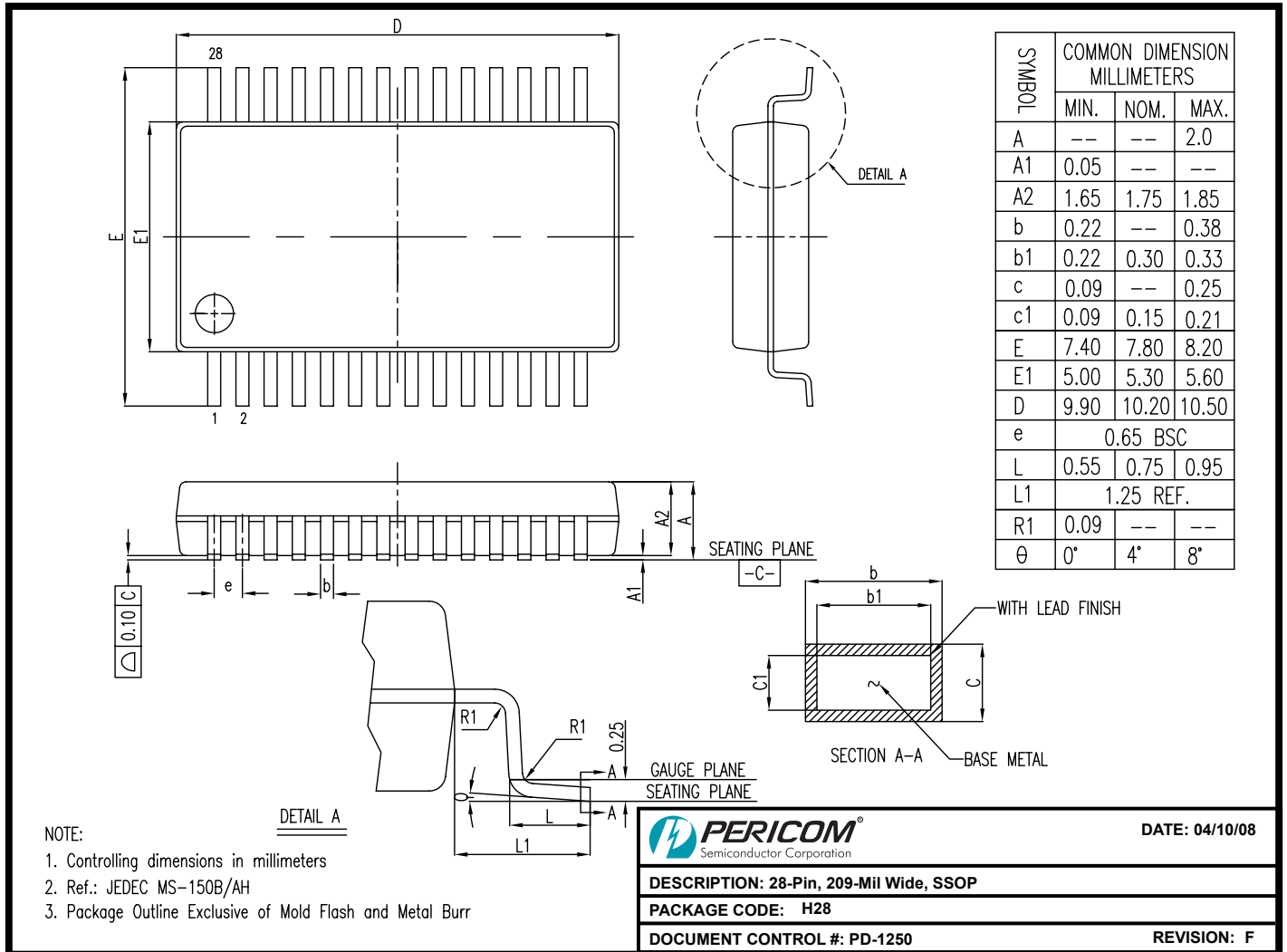
**Notes:**

1. Test configuration is  $R_s = 33.2\Omega$ ,  $R_p = 49.9\Omega$ , and 2pF.
2. Measurement taken from Single Ended waveform.
3. Measurement taken from Differential waveform.
4. Measurement taken using M1 data capture analysis tool.
5. Additive jitter is calculated from input and output RMS phase jitter by using PCIe 2.0 filter. ( $T_{jadd} = \sqrt{(\text{output jitter})^2 - (\text{input jitter})^2}$ )

**Configuration Test Load Board Termination**




**Packaging Mechanical: 28-Pin SSOP (H)**



08-0143

**Packaging Mechanical: 28-Pin TSSOP (L)**

DOCUMENT CONTROL NO.  
PD - 1313

---

REVISION: D  
DATE: 03/09/05

**Note:**

1. Package Outline Exclusive of Mold Flash and Metal Burr
2. Controlling dimensions in millimeters
3. Ref: JEDEC MO-153F/AE

Pericom Semiconductor Corporation  
3545 N. 1st Street, San Jose, CA 95134  
1-800-435-2335 • www.pericom.com

---

DESCRIPTION: 28-Pin, 173-Mil Wide, TSSOP

---

PACKAGE CODE: L

**Ordering Information<sup>(1-3)</sup>**

Ordering Code	Package Code	Package Description
PI6C20400AHE	HE	28-pin, 209-mil wide, SSOP, Pb-Free and Green
PI6C20400ALE	LE	28-pin, 173-mil wide, TSSOP, Pb-Free and Green

**Notes:**

1. Thermal characteristics can be found on the company web site at [www.pericom.com/packaging/](http://www.pericom.com/packaging/)
2. E = Pb-free and Green
3. Adding an X suffix = Tape/Reel

# Mouser Electronics

Authorized Distributor

Click to View Pricing, Inventory, Delivery & Lifecycle Information:

[Diodes Incorporated:](#)

[PI6C20400ALE](#) [PI6C20400ALEX](#) [PI6C20400AHE](#) [PI6C20400AHEX](#)

Компания «Life Electronics» занимается поставками электронных компонентов импортного и отечественного производства от производителей и со складов крупных дистрибьюторов Европы, Америки и Азии.

С конца 2013 года компания активно расширяет линейку поставок компонентов по направлению коаксиальный кабель, кварцевые генераторы и конденсаторы (керамические, пленочные, электролитические), за счёт заключения дистрибьюторских договоров

Мы предлагаем:

- Конкурентоспособные цены и скидки постоянным клиентам.
- Специальные условия для постоянных клиентов.
- Подбор аналогов.
- Поставку компонентов в любых объемах, удовлетворяющих вашим потребностям.
- Приемлемые сроки поставки, возможна ускоренная поставка.
- Доставку товара в любую точку России и стран СНГ.
- Комплексную поставку.
- Работу по проектам и поставку образцов.
- Формирование склада под заказчика.
- Сертификаты соответствия на поставляемую продукцию (по желанию клиента).
- Тестирование поставляемой продукции.
- Поставку компонентов, требующих военную и космическую приемку.
- Входной контроль качества.
- Наличие сертификата ISO.

В составе нашей компании организован Конструкторский отдел, призванный помогать разработчикам, и инженерам.

Конструкторский отдел помогает осуществить:

- Регистрацию проекта у производителя компонентов.
- Техническую поддержку проекта.
- Защиту от снятия компонента с производства.
- Оценку стоимости проекта по компонентам.
- Изготовление тестовой платы монтаж и пусконаладочные работы.



Тел: +7 (812) 336 43 04 (многоканальный)

Email: [org@lifeelectronics.ru](mailto:org@lifeelectronics.ru)