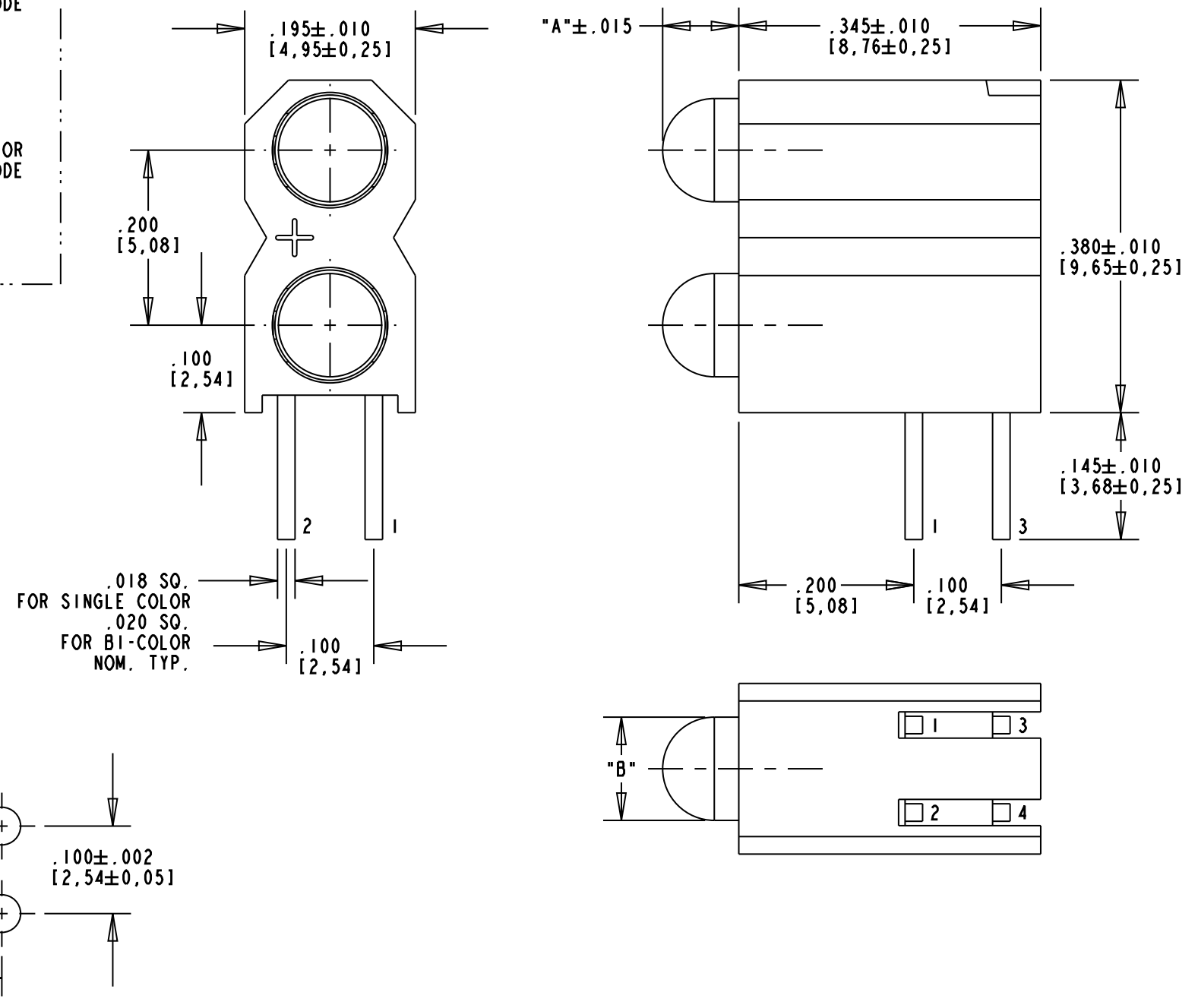
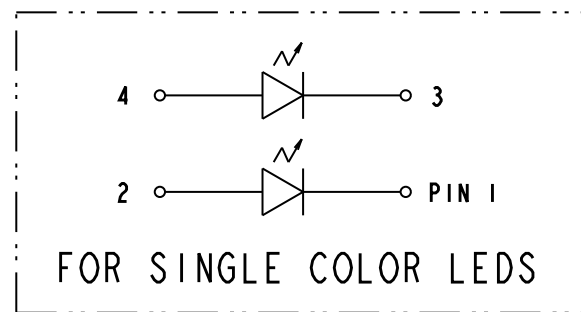
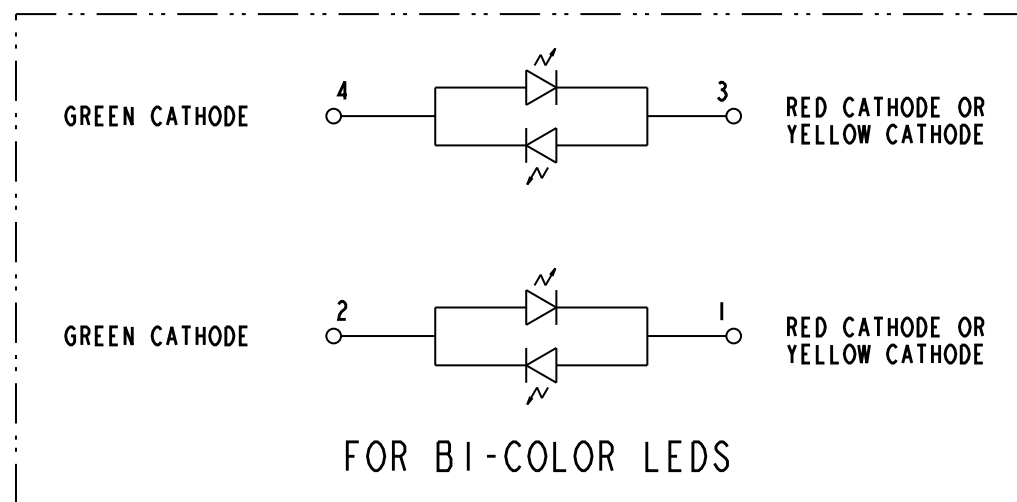


DIALIGHT PART NUMBER	LED COLOR		DIM "A"	DIM "B"
	POSITION 1	POSITION 2		
553-0102-300F	BLANK	GREEN DIFFUSED	.097	.122±.010
553-0103-300F	BLANK	YELLOW DIFFUSED	.097	.122±.010
553-0108-300F	BLANK	BLUE NON-TINTED DIFFUSED	.093	.110±.010
553-0111-300F	RED DIFFUSED	RED DIFFUSED	.097	.122±.010
553-0112-300F	RED DIFFUSED	GREEN DIFFUSED	.097	.122±.010
553-0113-300F	RED DIFFUSED	YELLOW DIFFUSED	.097	.122±.010
553-0117-300F	RED DIFFUSED	ORANGE DIFFUSED	.097	.122±.010
553-0121-300F	GREEN DIFFUSED	RED DIFFUSED	.097	.122±.010
553-0122-300F	GREEN DIFFUSED	GREEN DIFFUSED	.097	.122±.010
553-0123-300F	GREEN DIFFUSED	YELLOW DIFFUSED	.097	.122±.010
553-0127-300F	GREEN DIFFUSED	ORANGE DIFFUSED	.087	.115±.010
553-0131-300F	YELLOW DIFFUSED	RED DIFFUSED	.097	.122±.010
553-0132-300F	YELLOW DIFFUSED	GREEN DIFFUSED	.097	.122±.010
553-0133-300F	YELLOW DIFFUSED	YELLOW DIFFUSED	.097	.122±.010
553-0172-300F	ORANGE DIFFUSED	GREEN DIFFUSED	.097	.122±.010
553-0177-300F	ORANGE DIFFUSED	ORANGE DIFFUSED	.087	.115±.010
553-0188-300F	BLUE NON-TINTED DIFFUSED	BLUE NON-TINTED DIFFUSED	.093	.110±.005
553-0201-300F	BLANK	2 mA RED DIFFUSED	.087	.115±.010
553-0203-300F	BLANK	2 mA YELLOW DIFFUSED	.087	.115±.010
553-0211-300F	2 mA RED DIFFUSED	2 mA RED DIFFUSED	.087	.115±.010
553-0212-300F	2 mA RED DIFFUSED	2 mA GREEN DIFFUSED	.087	.115±.010
553-0213-300F	2 mA RED DIFFUSED	2 mA YELLOW DIFFUSED	.087	.115±.010
553-0221-300F	2 mA GREEN DIFFUSED	2 mA RED DIFFUSED	.087	.115±.010
553-0222-300F	2 mA GREEN DIFFUSED	2 mA GREEN DIFFUSED	.087	.115±.010
553-0223-300F	2 mA GREEN DIFFUSED	2 mA YELLOW DIFFUSED	.087	.115±.010
553-0232-300F	2 mA YELLOW DIFFUSED	2 mA GREEN DIFFUSED	.087	.115±.010
553-0233-300F	2 mA YELLOW DIFFUSED	2 mA YELLOW DIFFUSED	.087	.115±.010
553-0303-300F	BLANK	5 V YELLOW DIFFUSED	.087	.115±.010
553-0311-300F	5 V RED DIFFUSED	5 V RED DIFFUSED	.087	.115±.010
553-0312-300F	5 V RED DIFFUSED	5 V GREEN DIFFUSED	.087	.115±.010
553-0313-300F	5 V RED DIFFUSED	5 V YELLOW DIFFUSED	.087	.115±.010
553-0322-300F	5 V GREEN DIFFUSED	5 V GREEN DIFFUSED	.087	.115±.010
553-0323-300F	5 V GREEN DIFFUSED	5 V YELLOW DIFFUSED	.087	.115±.010
553-0332-300F	5 V YELLOW DIFFUSED	5 V GREEN DIFFUSED	.087	.115±.010
553-0333-300F	5 V YELLOW DIFFUSED	5 V YELLOW DIFFUSED	.087	.115±.010
553-0701-300F	BLANK	BI-COLOR RED/GREEN	.093	.118±.005
553-0711-300F	BI-COLOR RED/GREEN	BI-COLOR RED/GREEN	.093	.118±.005
553-0714-300F	BI-COLOR RED/GREEN	BI-COLOR YELLOW/GREEN	.093	.118±.005
553-0741-300F	BI-COLOR YELLOW/GREEN	BI-COLOR RED/GREEN	.093	.118±.005
553-0744-300F	BI-COLOR YELLOW/GREEN	BI-COLOR YELLOW/GREEN	.093	.118±.005
553-2211-300F	RED TINTED NON-DIFFUSED	RED TINTED NON-DIFFUSED	.087	.115±.010
553-2222-300F	GREEN TINTED NON-DIFFUSED	GREEN TINTED NON-DIFFUSED	.087	.115±.010
553-2223-300F	GREEN TINTED NON-DIFFUSED	YELLOW TINTED NON-DIFFUSED	.087	.115±.010
553-2232-300F	YELLOW TINTED NON-DIFFUSED	GREEN TINTED NON-DIFFUSED	.087	.115±.010
553-2233-300F	YELLOW TINTED NON-DIFFUSED	YELLOW TINTED NON-DIFFUSED	.087	.115±.010

NOTES:

- LED LEAD DIMENSIONS SHOWN ARE MEASURED AT HOUSING EXIT.
- LEADS TO FIT INTO HOLES SPACED AS PER PATTERN.
- PIN NUMBERS FOR REFERENCE ONLY, DESIGNATION NON-EXISTENT ON PART.
- DIALIGHT PART NUMBERS: 553-XXXX-300F.
- THIS ASSEMBLY CONTAINS ELECTROSTATIC DISCHARGE SENSITIVE DEVICES (ESDS). MAINTAIN ALL PRECAUTIONARY MEASURES DURING ASSEMBLY, HANDLING, AND STORAGE IN ACCORDANCE WITH IPC-A-610.



10 mA NON-DIFFUSED LED [OPERATING CHARACTERISTICS AT 25°C]						
CHARACTERISTICS	COLOR	MIN	TYP	MAX	UNITS	TEST CONDITIONS
LUMINOUS INTENSITY	RED	8.7	29		mcd	I _f = 10 mA
	YELLOW	10	50			
	GREEN	32	50			
FORWARD VOLTAGE	RED	2.0	2.8		V	I _f = 10 mA
	YELLOW	2.1	2.8			
	GREEN	2.1	2.8			
REVERSE VOLTAGE	RED	5			V	I _r = 100 μA
	YELLOW	5				
	GREEN	5				
PEAK WAVELENGTH	RED	635			nm	MEASURED AT PEAK
	YELLOW	585				
	GREEN	565				

BI-COLOR LED [OPERATING CHARACTERISTICS AT 25°C]						
CHARACTERISTICS	COLOR	MIN	TYP	MAX	UNITS	TEST CONDITIONS
LUMINOUS INTENSITY	YELLOW	2.5	4.3		mcd	I _f = 10 mA
	GREEN	2.5	6.3			
	RED	3.7	10.0			
FORWARD VOLTAGE	YELLOW	2.1	2.8		mA	I _f = 10 mA
	GREEN	2.1	2.8			
	RED	2.0	2.8			
PEAK WAVELENGTH	YELLOW	585			nm	MEASURED AT PEAK
	GREEN	565				
	RED	635				

10 mA DIFFUSED LED [OPERATING CHARACTERISTICS AT 25°C]						
CHARACTERISTICS	COLOR	MIN	TYP	MAX	UNITS	TEST CONDITIONS
LUMINOUS INTENSITY	RED	3.6	10		mcd	I _f = 10 mA
	YELLOW	2.2	6.3			
	GREEN	5.6	16			
	BLUE	6.3	20			
	ORANGE	3.4	7.0			
FORWARD VOLTAGE	RED	2.0	3.0		V	I _f = 10 mA
	YELLOW	2.1	3.0			
	GREEN	2.1	3.0			
	BLUE	3.5	4.2			
	ORANGE	1.5	2.2	3.0		
REVERSE VOLTAGE	RED	3			V	I _r = 10 μA
	YELLOW	3				
	GREEN	3				
	BLUE	3				
	ORANGE	5				
PEAK WAVELENGTH	RED	650			nm	MEASURED AT PEAK
	YELLOW	585				
	GREEN	563				
	BLUE	428				
	ORANGE	600				

2 mA NON-DIFFUSED LED [OPERATING CHARACTERISTICS AT 25°C]						
CHARACTERISTICS	COLOR	MIN	TYP	MAX	UNITS	TEST CONDITIONS
LUMINOUS INTENSITY	RED	1.0	1.6		mcd	I _f = 2 mA
	YELLOW	1.0	1.6			
	GREEN	1.0	1.6			
FORWARD VOLTAGE	RED	1.7	2.2		V	I _f = 2 mA
	YELLOW	1.8	2.7			
	GREEN	1.9	2.2			
REVERSE VOLTAGE	RED	5			V	I _r = 50 μA
	YELLOW	5				
	GREEN	5				
PEAK WAVELENGTH	RED	635			nm	MEASURED AT PEAK
	YELLOW	585				
	GREEN	565				

5 V INTEGRAL RESISTOR LED [OPERATING CHARACTERISTICS AT 25°C]						
CHARACTERISTICS	COLOR	MIN	TYP	MAX	UNITS	TEST CONDITIONS
LUMINOUS INTENSITY	RED	8.7	29		mcd	V _f = 5 V
	YELLOW	3.7	12.6			
	GREEN	5.6	19			
FORWARD CURRENT	RED	10	20		mA	V _f = 5 V
	YELLOW	10	20			
	GREEN	10	20			
REVERSE VOLTAGE	RED	5			V	I _r = 100 μA
	YELLOW	5				
	GREEN	5				
PEAK WAVELENGTH	RED	635			nm	MEASURED AT PEAK
	YELLOW	585				
	GREEN	565				

RoHS Compliant 553-XXXX-300F Thru hole Bi-level CBI

Part Numbers with the "F" suffix ending are RoHS Compliant.
 Example: 553-0112-300F
 The bag packaging is marked with "RoHS Compliant" label or equivalent markings.
 Parts can be wave soldered, dip soldered or hand soldered using typical lead-free soldering process with max 260°C temp. for 5 sec.



ATTENTION:
 OBSERVE PRECAUTIONS FOR
 HANDLING ELECTROSTATIC
 SENSITIVE DEVICES

THIS DRAWING AND THE CONTENTS HEREIN ARE CONFIDENTIAL AND THE SOLE PROPERTY OF DIALIGHT. REPRODUCTION OF THIS DRAWING OR CONSTRUCTION OF ANY PARTS WITHIN THIS DRAWING ARE FORBIDDEN WITHOUT THE WRITTEN CONSENT OF DIALIGHT.

SCALE: 6.000	DRAWING NUMBER	REV
ALL DIM'S IN: INCHES (MM)	C-17297	B
TOLERANCES: UNLESS OTHERWISE SPECIFIED	TITLE	
FRACTIONS: ±1/64	3mm BI-LEVEL LED CBI	
DECIMALS (.XX): ±.02	RoHS COMPLIANT	
DECIMALS (.XXX): ±.015	MATERIAL	
ANGLES: ±1°		
FINISH:		
FSCM 83330	Dialight	1501 ROUTE 34 SOUTH FARMINGDALE, NJ 07727
	SHEET 1 OF 1	FAMILY TABLE:

Компания «Life Electronics» занимается поставками электронных компонентов импортного и отечественного производства от производителей и со складов крупных дистрибьюторов Европы, Америки и Азии.

С конца 2013 года компания активно расширяет линейку поставок компонентов по направлению коаксиальный кабель, кварцевые генераторы и конденсаторы (керамические, пленочные, электролитические), за счёт заключения дистрибьюторских договоров

Мы предлагаем:

- Конкурентоспособные цены и скидки постоянным клиентам.
- Специальные условия для постоянных клиентов.
- Подбор аналогов.
- Поставку компонентов в любых объемах, удовлетворяющих вашим потребностям.
- Приемлемые сроки поставки, возможна ускоренная поставка.
- Доставку товара в любую точку России и стран СНГ.
- Комплексную поставку.
- Работу по проектам и поставку образцов.
- Формирование склада под заказчика.
- Сертификаты соответствия на поставляемую продукцию (по желанию клиента).
- Тестирование поставляемой продукции.
- Поставку компонентов, требующих военную и космическую приемку.
- Входной контроль качества.
- Наличие сертификата ISO.

В составе нашей компании организован Конструкторский отдел, призванный помогать разработчикам, и инженерам.

Конструкторский отдел помогает осуществить:

- Регистрацию проекта у производителя компонентов.
- Техническую поддержку проекта.
- Защиту от снятия компонента с производства.
- Оценку стоимости проекта по компонентам.
- Изготовление тестовой платы монтаж и пусконаладочные работы.



Тел: +7 (812) 336 43 04 (многоканальный)

Email: org@lifeelectronics.ru