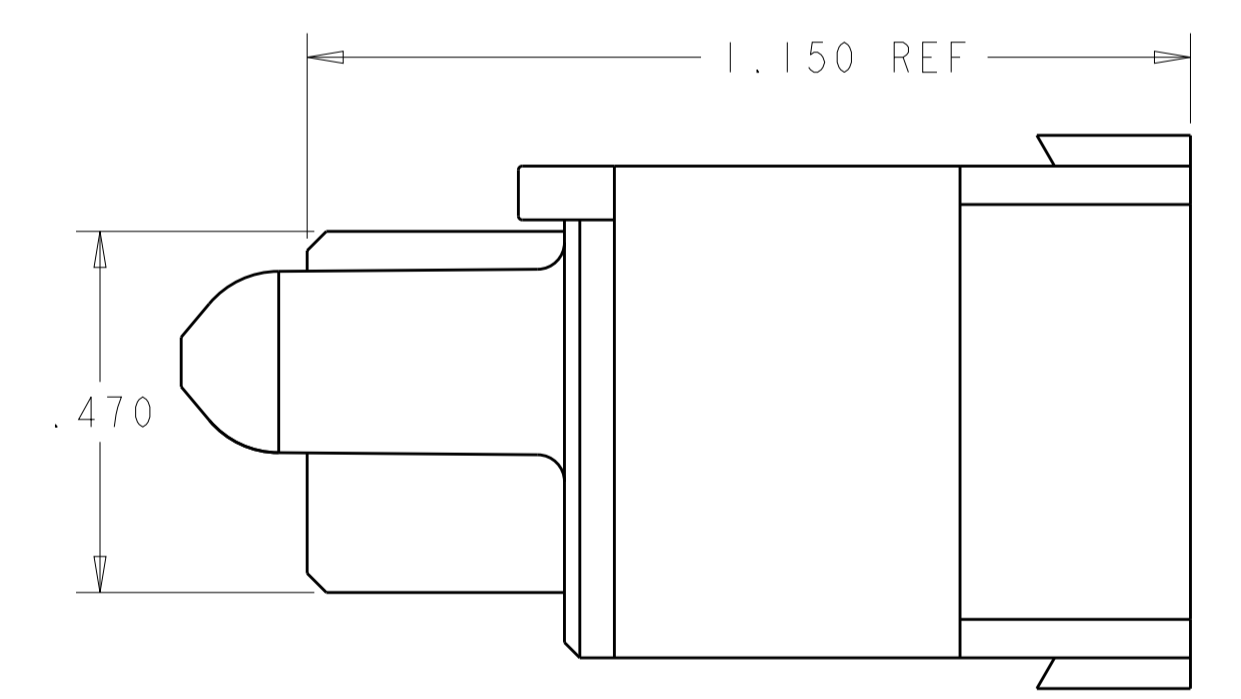
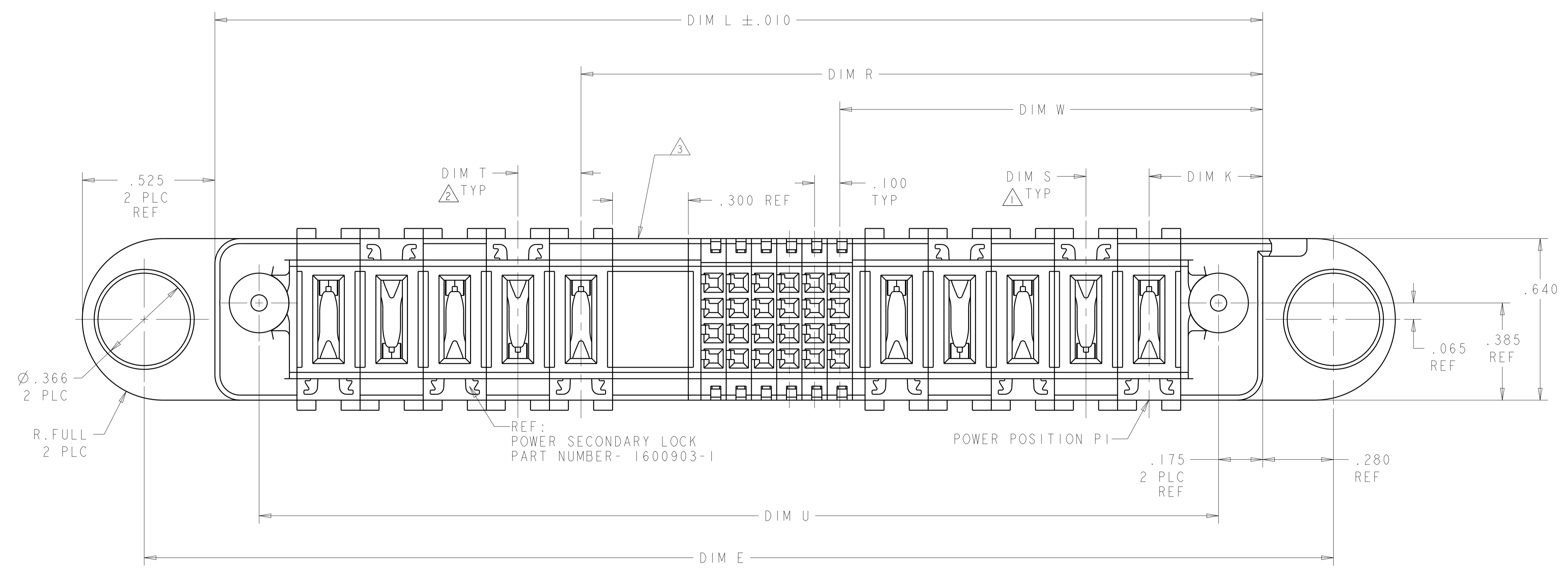
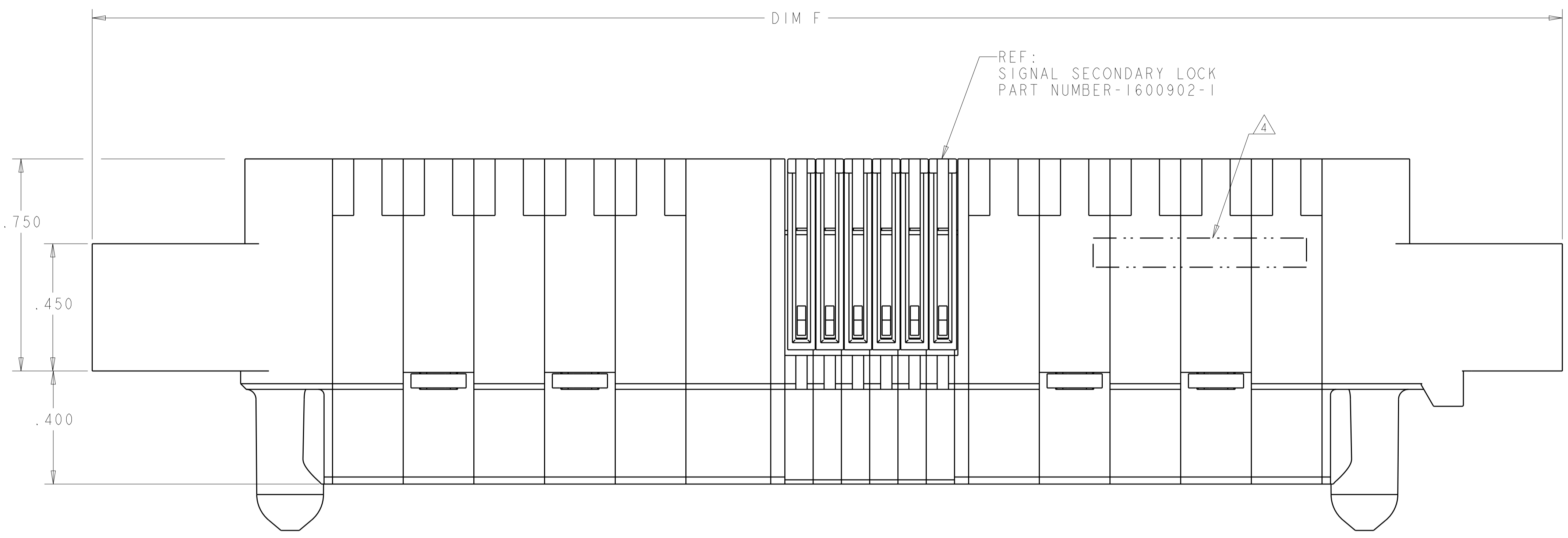
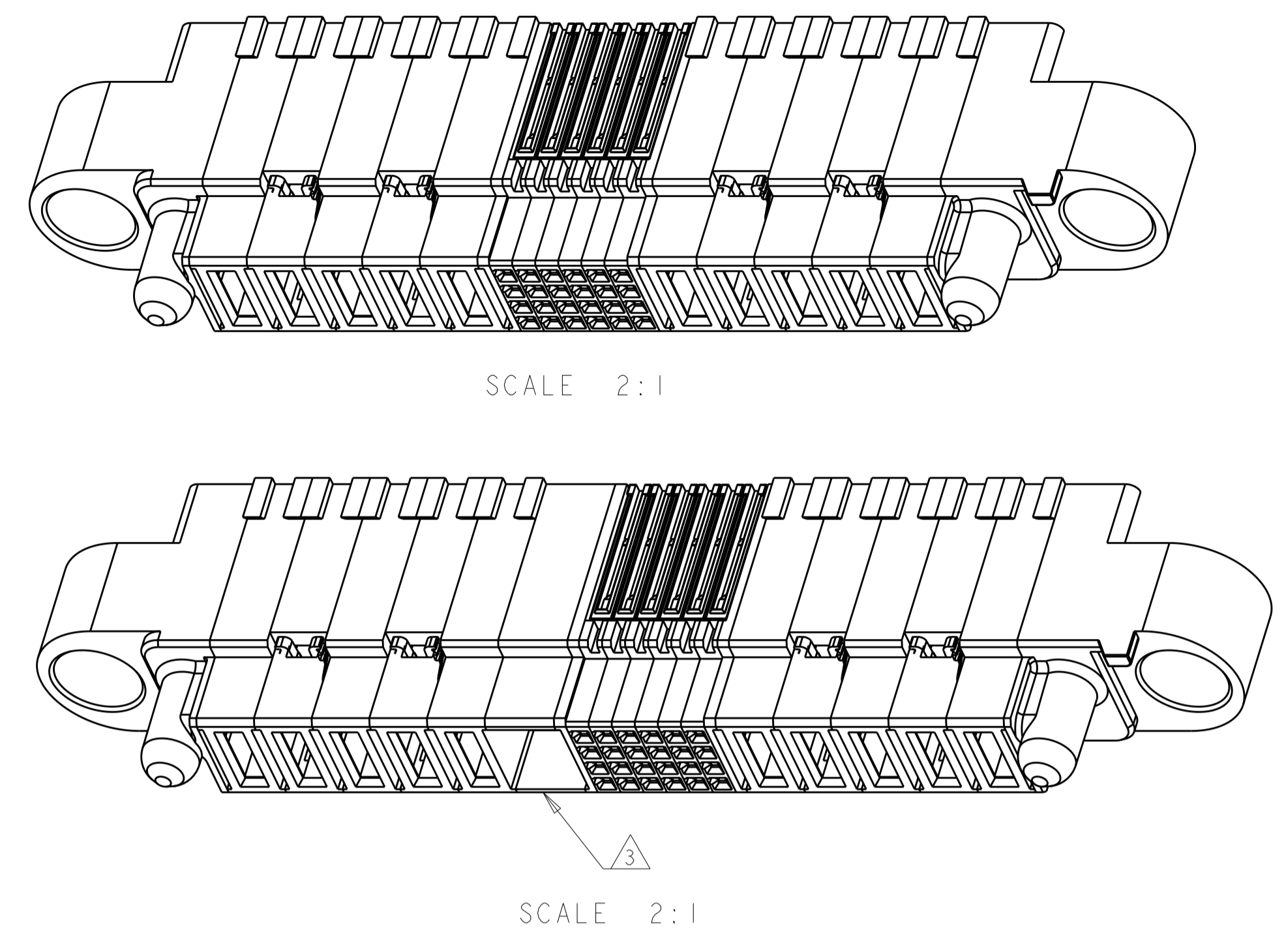
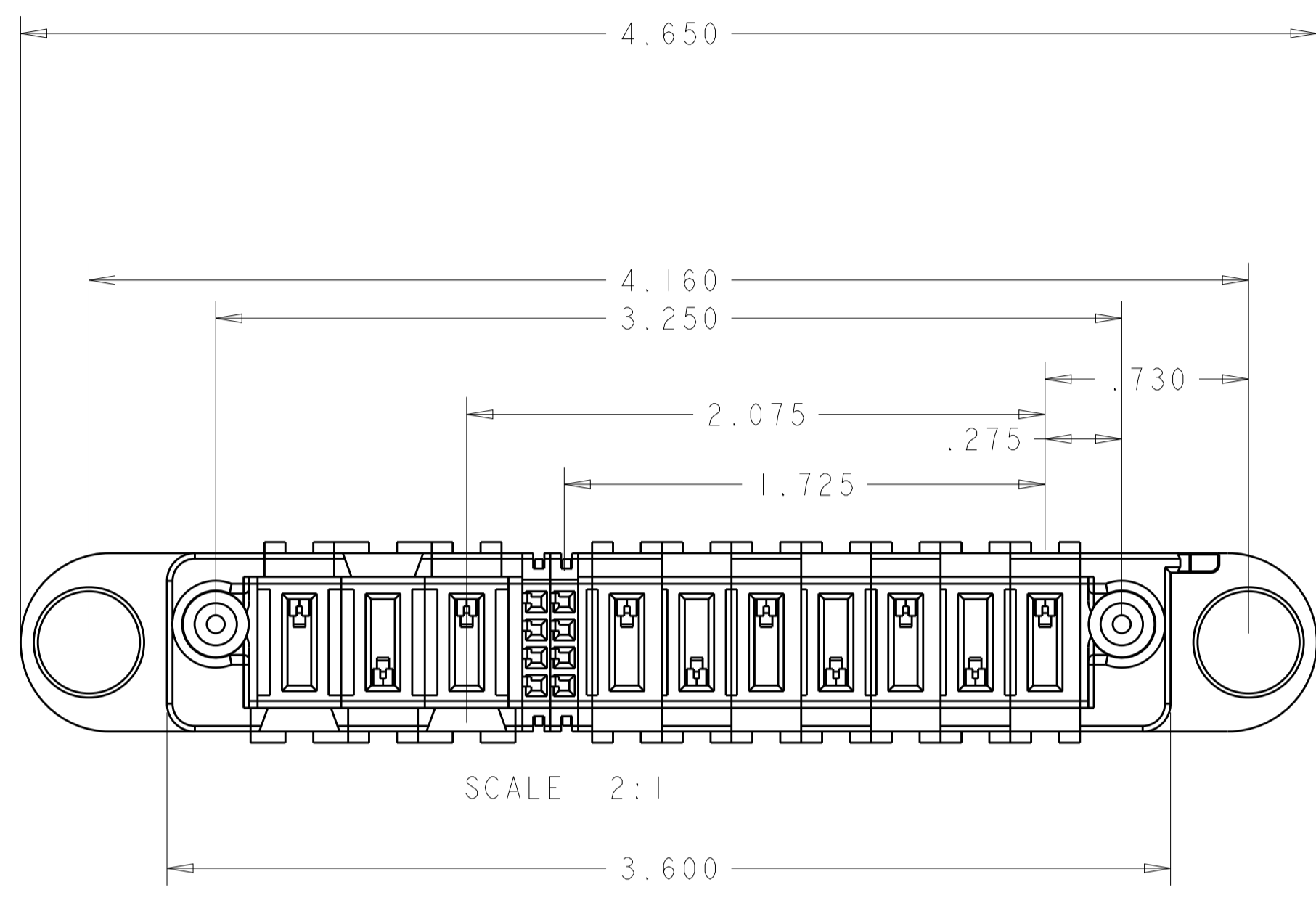


| REVISIONS |     |                           |           |       |
|-----------|-----|---------------------------|-----------|-------|
| P.        | LTN | DESCRIPTION               | DATE      | APVD  |
| M4        |     | ADD NEW DASH NUMBER 3-9   | 22JAN2016 | CZ SZ |
| M5        |     | REVISED 3-9               | 28JAN2016 | CZ SZ |
| M6        |     | ADDED NEW DASH NUMBER 4-0 | 01MAR2016 | CZ SZ |



|  |  |                                |  |
|--|--|--------------------------------|--|
| THIS DRAWING IS A CONTROLLED DOCUMENT. |  | DWN<br>D. RINGLER<br>28JUL2003 | TE Connectivity  |
| DIMENSIONS:                            |  | CHK<br>M. CORRELL<br>28JUL2003 |  |
| mm                                     | TOLERANCES UNLESS OTHERWISE SPECIFIED: | APVD                           | NAME   |
| 0 PLC ±                                | 1 PLC ±                                | PRODUCT SPEC                   | PANEL MOUNT CABLE RECEPTACLE HOUSING WITH GUIDES MULTI-BEAM XL |
| 2 PLC ±                                | 3 PLC ±.005                            | APPLICATION SPEC               | SIZE   |
| 4 PLC ±.0020                           | ANGLES ±                               | 114-13112                      | CAGE CODE  |
| MATERIAL                               | FINISH                                 | WEIGHT                         | DRAWING NO   |
| TBD                                    |  |                                | 114-13112  |
| CUSTOMER DRAWING                       |  | SCALE                          | RESTRICTED TO  |
|  |  | 4:1                            | A1   |
|  |  | SHEET                          | REV  |
|  |  | 1                              | M5   |

| REVISIONS |      |             |      |       |
|-----------|------|-------------|------|-------|
| P.        | LTN. | DESCRIPTION | DATE | APVD. |
|           |      |             |      |       |



- 1 DIM S IS CENTERLINE SPACING OF POWER MODULES ON RIGHT SIDE OF HOUSING.
- 2 DIM T IS CENTERLINE SPACING OF POWER MODULES ON LEFT SIDE OF HOUSING.
- 3 OPTIONAL CENTER MODULE.
- 4 COMPANY TRADEMARK, PART NUMBER, AND DATE CODE TO BE MARKED IN AREA SHOWN PARTS UNDER 2.00 LONG MAY BE MARKED ON BOTH SIDES.
- 5 MATERIAL: THERMO PLASTIC, UL94 V-0.
- 6 DATUM LOCATIONS AND BASIC DIMENSIONS TO BE ESTABLISHED BY THE CUSTOMER.
- 7 BULKHEAD THICKNESS RANGE: .031 - .100
- 8 CONNECTOR MATED TO PANEL FROM OPPOSITE SIDE.
- 9 NO BURRS ALLOWED ON OPPOSITE (MATING) SIDE.
- 10 CONNECTOR KEEP OUT ZONE.
- 11 MOUNT CONNECTOR WITH TYCO HARDWARE KIT (SEE TABLE) FOR .050 [1.27mm] MIN RADIAL FLOAT.
- 12 VARIABLE DIMENSIONS SHOWN ON VIEW (SHEET 3).
- 13 NOT RELEASE FOR PRODUCTION
- 14. HARDWARE KIT P/N SOLD SEPARATELY

OBSOLETE

| 1600914-1 | NO | 2.375         | 4.300 | .300  | .250  | 3.575 | 4.650 | .450  | 5.700 | 5.210 | 8P + 44S + 3ACP   | 4-1600636-0 |             |
|-----------|----|---------------|-------|-------|-------|-------|-------|-------|-------|-------|-------------------|-------------|-------------|
| 1600914-1 | NO | .625          | 1.200 | -     | -     | 1.000 | 1.450 | .450  | 2.500 | 2.010 | 1P + 12S + 1P     | 3-1600636-9 |             |
| 1600914-1 | NO | 1.425         | 2.500 | .250  | .250  | 2.150 | 2.850 | .450  | 3.900 | 3.410 | 4P + 24S + 2P     | 3-1600636-8 |             |
| 1600914-1 | NO | .675          | 1.700 | -     | -     | 1.600 | 2.050 | .450  | 3.100 | 2.610 | 1P + 32S + 1P     | 3-1600636-7 |             |
| 1600914-1 | NO | .875          | 1.700 | .250  | .250  | 1.350 | 2.050 | .450  | 3.100 | 2.610 | 2P + 16S + 2P     | 3-1600636-6 |             |
| 1600914-1 | NO | .675          | 1.100 | -     | -     | 1.000 | 1.450 | .450  | 2.500 | 2.010 | 1P + 8S + 1P      | 3-1600636-5 |             |
| 1600914-1 | NO | 1.325         | 3.000 | .250  | .300  | 1.650 | 3.350 | .475  | 4.400 | 3.910 | 3ACP + 8S + 6P    | 3-1600636-4 |             |
| 1600000-1 | NO | 1.325         | 3.000 | .300  | .300  | 2.275 | 3.350 | .475  | 4.400 | 3.910 | 3ACP + 32S + 3ACP | 3-1600636-3 |             |
| 1600914-1 | NO | 1.725         | 3.250 | .300  | .250  | 2.075 | 3.600 | .450  | 4.650 | 4.160 | 7P + 8S + 3ACP    | 2-1600636-9 |             |
| 1600914-1 | NO | 1.025         | 1.800 | .300  | .300  | 1.375 | 2.150 | .475  | 3.200 | 2.710 | 2ACP + 8S + 2ACP  | 2-1600636-8 |             |
| 1600914-1 | NO | 1.325         | 3.250 | .250  | .300  | 1.650 | 3.600 | .475  | 4.650 | 4.160 | 3ACP + 8S + 7P    | 2-1600636-7 |             |
| 1600000-1 | NO | 1.325         | 3.000 | .300  | .300  | 2.275 | 3.350 | .475  | 4.400 | 3.910 | 3ACP + 32S + 3ACP | 2-1600636-6 |             |
| 1600000-1 | NO | 1.025         | 2.200 | .300  | .300  | 1.775 | 2.550 | .475  | 3.600 | 3.110 | 2ACP + 24S + 2ACP | 2-1600636-5 |             |
| 1600914-1 | NO | 1.175         | 2.300 | .250  | .250  | 1.700 | 2.650 | .450  | 3.700 | 3.210 | 3P + 16S + 3P     | 2-1600636-4 |             |
| 1600914-3 | NO | 2.225         | 4.800 | .250  | .300  | 2.950 | 5.150 | .475  | 6.200 | 5.710 | 6ACP + 24S + 8P   | 2-1600636-3 |             |
| 1600914-1 | NO | 1.425         | 3.200 | .250  | .250  | 2.350 | 3.550 | .450  | 4.600 | 4.110 | 4P + 32S + 4P     | 2-1600636-2 |             |
| 1600914-1 | NO | 1.925         | 3.400 | .300  | .250  | 2.675 | 3.750 | .450  | 4.800 | 4.310 | 6P + 24S + 3ACP   | 2-1600636-1 |             |
| 1600914-1 | NO | .725          | 2.500 | -     | -     | 2.375 | 2.850 | .475  | 3.900 | 3.410 | 1P + 60S + 1P     | 2-1600636-0 |             |
| 1600914-1 | NO | 1.875         | 3.450 | 12    | 12    | 2.775 | 3.800 | .425  | 4.850 | 4.380 | 6P + 32S + 3 ACP  | 1-1600636-8 |             |
| 1600914-1 | NO | 1.925         | 2.600 | .250  | .250  | 2.250 | 2.950 | .450  | 4.000 | 3.510 | 6P + 8S + 2P      | 1-1600636-7 |             |
| 1600914-3 | NO | 2.175         | 5.100 | .250  | .250  | 3.500 | 5.450 | .450  | 6.500 | 6.010 | 7P + 48S + 7P     | 1-1600636-6 |             |
| 1600914-1 | NO | 1.425         | 3.000 | .250  | .250  | 2.150 | 3.350 | .450  | 4.400 | 3.910 | 4P + 24S + 4P     | 1-1600636-5 |             |
| 1600914-1 | NO | 1.325         | 2.800 | .300  | .300  | 2.075 | 3.150 | .475  | 4.200 | 3.710 | 3ACP + 24S + 3ACP | 1-1600636-4 |             |
| 1600914-1 | NO | .675          | 1.300 | -     | -     | 1.200 | 1.650 | .450  | 2.700 | 2.210 | 1P + 16S + 1P     | 1-1600636-3 |             |
| 1600914-1 | NO | 1.425         | 3.000 | .250  | .250  | 2.150 | 3.350 | .450  | 4.400 | 3.910 | 4P + 24S + 4P     | 1-1600636-2 |             |
| 1600914-1 | NO | .700          | 1.575 | -     | -     | 1.425 | 1.925 | .475  | 2.975 | 2.485 | 1P + 24S + 1P     | 1-1600636-1 |             |
| 1600914-1 | NO | .925          | 1.800 | .250  | .250  | 1.450 | 2.150 | .450  | 3.200 | 2.710 | 2P + 16S + 2P     | 1-1600636-0 |             |
| 1600914-1 | NO | .700          | 1.575 | -     | -     | 1.425 | 1.925 | .475  | 2.975 | 2.485 | 1P + 24S + 1P     | 1600636-9   |             |
| 1600914-1 | NO | 1.175         | 2.300 | .250  | .250  | 1.700 | 2.650 | .450  | 3.700 | 3.210 | 3P + 16S + 3P     | 1600636-8   |             |
| 1600914-1 | NO | 1.425         | 2.500 | .250  | .250  | 2.150 | 2.850 | .450  | 3.900 | 3.410 | 4P + 24S + 2P     | 1600636-7   |             |
| 1600914-3 | NO | 1.625         | 5.200 | .250  | .300  | 2.350 | 5.550 | .475  | 6.600 | 6.110 | 4ACP + 24S + 12P  | 1600636-6   |             |
|           |    |               |       |       |       |       |       |       |       |       |                   |             |             |
|           |    |               |       |       |       |       |       |       |       |       |                   |             |             |
| 1600914-1 | NO | .925          | 2.500 | .250  | .250  | 2.150 | 2.850 | .450  | 3.900 | 3.410 | 2P + 44S + 2P     | 1600636-4   |             |
| 1600914-1 | NO | .750          | 1.675 | -     | -     | 1.525 | 2.025 | .475  | 3.075 | 2.585 | 1P + 24S + 1P     | 1600636-3   |             |
| 1600914-1 | NO | .925          | 2.000 | .250  | .250  | 1.650 | 2.350 | .450  | 3.400 | 2.910 | 2P + 24S + 2P     | 1600636-2   |             |
| 1600914-3 | NO | 1.925         | 4.000 | .300  | .300  | 2.675 | 4.350 | .475  | 5.400 | 4.910 | 5ACP + 24S + 5ACP | 1600636-1   |             |
| KIT P/N   | 13 | CENTER MODULE | DIM W | DIM U | DIM T | DIM S | DIM R | DIM L | DIM K | DIM F | DIM E             | DESCRIPTION | PART NUMBER |

THIS DRAWING IS A CONTROLLED DOCUMENT. DWN 28 JUL 2003  
 CHW D. RINGLER 28 JUL 2003  
 M. CORRELL 28 JUL 2003

DIMENSIONS: mm  
 TOLERANCES UNLESS OTHERWISE SPECIFIED:  
 0 PLC ±.  
 1 PLC ±.  
 2 PLC ±.  
 3 PLC ±.005  
 4 PLC ±.002  
 ANGLES ±.0020

MATERIAL TBD/6 FINISH

PRODUCT SPEC 108-2157  
 APPLICATION SPEC 114-13112  
 WEIGHT  
 CUSTOMER DRAWING

NAME PANEL MOUNT CABLE RECEPTACLE HOUSING WITH GUIDES MULTI-BEAM XL  
 SIZE A1 CAGE CODE DRAWING NO. 1600636  
 SCALE 4:1 SHEET 5 OF 5 REV M5

STE TE Connectivity

| PART NUMBER       | ROWS             | POWER (L) |    |    |    |    | SIGNAL |   |   |   |   | POWER (R) |    |    |    |    |    |    |    |    |    |    |
|-------------------|------------------|-----------|----|----|----|----|--------|---|---|---|---|-----------|----|----|----|----|----|----|----|----|----|----|
|                   |                  | P10       | P9 | P8 | P7 | P6 | 6      | 5 | 4 | 3 | 2 | 1         | P5 | P4 | P3 | P2 | P1 |    |    |    |    |    |
| 1600636-1         | D<br>C<br>B<br>A | RM        | RM | RM | RM | RM | E      | E | E | E | E | E         | E  | E  | E  | E  | E  | RA | RA | RA | RA | RA |
| 5ACP + 24S + 5ACP |                  |           |    |    |    |    |        |   |   |   |   |           |    |    |    |    |    |    |    |    |    |    |

| PART NUMBER   | ROWS             | POWER (L) |    |    | SIGNAL |   |   |   | POWER (R) |    |    |    |    |    |
|---------------|------------------|-----------|----|----|--------|---|---|---|-----------|----|----|----|----|----|
|               |                  | P6        | P5 | P4 | 4      | 3 | 2 | 1 | P3        | P2 | P1 |    |    |    |
| 1600636-8     | D<br>C<br>B<br>A | RA        | RA | RA | E      | E | E | E | E         | E  | E  | RM | RM | RM |
| 3P + 16S + 3P |                  |           |    |    |        |   |   |   |           |    |    |    |    |    |

| PART NUMBER   | ROWS             | POWER (L) |    | SIGNAL |   |   |   |   |   | POWER (R) |    |    |    |
|---------------|------------------|-----------|----|--------|---|---|---|---|---|-----------|----|----|----|
|               |                  | P4        | P3 | 6      | 5 | 4 | 3 | 2 | 1 | P2        | P1 |    |    |
| 1600636-2     | D<br>C<br>B<br>A | RM        | RM | E      | E | E | E | E | E | E         | E  | RA | RA |
| 2P + 24S + 2P |                  |           |    |        |   |   |   |   |   |           |    |    |    |

| PART NUMBER   | ROWS             | POWER (L) | SIGNAL |   |   |   |   |   | POWER (R) |   |    |    |
|---------------|------------------|-----------|--------|---|---|---|---|---|-----------|---|----|----|
|               |                  | P2        | 6      | 5 | 4 | 3 | 2 | 1 | P1        |   |    |    |
| 1600636-9     | D<br>C<br>B<br>A | RA        | E      | E | E | E | E | E | E         | E | RM | RM |
| 1P + 24S + 1P |                  |           |        |   |   |   |   |   |           |   |    |    |

| PART NUMBER   | ROWS             | POWER (L) | SIGNAL |   |   |   |   |   | POWER (R) |   |    |    |
|---------------|------------------|-----------|--------|---|---|---|---|---|-----------|---|----|----|
|               |                  | P2        | 6      | 5 | 4 | 3 | 2 | 1 | P1        |   |    |    |
| 1600636-3     | D<br>C<br>B<br>A | RA        | E      | E | E | E | E | E | E         | E | RA | RA |
| 1P + 24S + 1P |                  |           |        |   |   |   |   |   |           |   |    |    |

| PART NUMBER   | ROWS             | POWER (L) |    | SIGNAL |   |   |   | POWER (R) |    |    |    |
|---------------|------------------|-----------|----|--------|---|---|---|-----------|----|----|----|
|               |                  | P4        | P3 | 4      | 3 | 2 | 1 | P2        | P1 |    |    |
| 1-1600636-0   | D<br>C<br>B<br>A | RA        | RA | E      | E | E | E | E         | E  | RM | RM |
| 2P + 16S + 2P |                  |           |    |        |   |   |   |           |    |    |    |

| PART NUMBER   | ROWS             | POWER (L) |    | SIGNAL |    |   |   |   |   |   |   |   |   | POWER (R) |    |    |    |    |
|---------------|------------------|-----------|----|--------|----|---|---|---|---|---|---|---|---|-----------|----|----|----|----|
|               |                  | P4        | P3 | 11     | 10 | 9 | 8 | 7 | 6 | 5 | 4 | 3 | 2 | 1         | P2 | P1 |    |    |
| 1600636-4     | D<br>C<br>B<br>A | RM        | RA | E      | E  | E | E | E | E | E | E | E | E | E         | E  | E  | RA | RM |
| 2P + 44S + 2P |                  |           |    |        |    |   |   |   |   |   |   |   |   |           |    |    |    |    |

| PART NUMBER   | ROWS             | POWER (L) | SIGNAL |   |   |   |   |   | POWER (R) |   |    |    |
|---------------|------------------|-----------|--------|---|---|---|---|---|-----------|---|----|----|
|               |                  | P2        | 6      | 5 | 4 | 3 | 2 | 1 | P1        |   |    |    |
| 1-1600636-1   | D<br>C<br>B<br>A | RM        | E      | E | E | E | E | E | E         | E | RA | RA |
| 1P + 24S + 1P |                  |           |        |   |   |   |   |   |           |   |    |    |

| PART NUMBER   | ROWS             | POWER (L) |    |    |    | SIGNAL |   |   |   |   |   | POWER (R) |    |    |    |    |    |    |    |
|---------------|------------------|-----------|----|----|----|--------|---|---|---|---|---|-----------|----|----|----|----|----|----|----|
|               |                  | P8        | P7 | P6 | P5 | 6      | 5 | 4 | 3 | 2 | 1 | P4        | P3 | P2 | P1 |    |    |    |    |
| 1600636-5     | D<br>C<br>B<br>A | RM        | RA | RM | RA | E      | E | E | E | E | E | E         | E  | E  | E  | RM | RA | RM | RA |
| 4P + 24S + 4P |                  |           |    |    |    |        |   |   |   |   |   |           |    |    |    |    |    |    |    |

| PART NUMBER   | ROWS             | POWER (L) |    |    |    | SIGNAL |   |   |   |   |   | POWER (R) |    |    |    |    |    |    |    |
|---------------|------------------|-----------|----|----|----|--------|---|---|---|---|---|-----------|----|----|----|----|----|----|----|
|               |                  | P8        | P7 | P6 | P5 | 6      | 5 | 4 | 3 | 2 | 1 | P4        | P3 | P2 | P1 |    |    |    |    |
| 1-1600636-2   | D<br>C<br>B<br>A | RM        | RA | RM | RA | E      | E | E | E | E | E | E         | E  | E  | E  | RM | RA | RM | RA |
| 4P + 24S + 4P |                  |           |    |    |    |        |   |   |   |   |   |           |    |    |    |    |    |    |    |

| PART NUMBER      | ROWS             | POWER (L) |     |     |     |     |     |     |    |    |    | SIGNAL |    |   |   |   |   | POWER (R) |   |    |    |    |    |    |    |    |    |
|------------------|------------------|-----------|-----|-----|-----|-----|-----|-----|----|----|----|--------|----|---|---|---|---|-----------|---|----|----|----|----|----|----|----|----|
|                  |                  | P16       | P15 | P14 | P13 | P12 | P11 | P10 | P9 | P8 | P7 | P6     | P5 | 6 | 5 | 4 | 3 | 2         | 1 | P4 | P3 | P2 | P1 |    |    |    |    |
| 1600636-6        | D<br>C<br>B<br>A | RA        | RM  | RA  | RM  | RA  | RM  | RA  | RM | RA | RM | RA     | RM | E | E | E | E | E         | E | E  | E  | E  | E  | RA | RM | RA | RM |
| 4ACP + 24S + 12P |                  |           |     |     |     |     |     |     |    |    |    |        |    |   |   |   |   |           |   |    |    |    |    |    |    |    |    |

| PART NUMBER   | ROWS             | P(L) | SIGNAL |   |   |   | P(R) |   |    |    |
|---------------|------------------|------|--------|---|---|---|------|---|----|----|
|               |                  | P2   | 4      | 3 | 2 | 1 | P1   |   |    |    |
| 1-1600636-3   | D<br>C<br>B<br>A | RA   | E      | E | E | E | E    | E | RM | RM |
| 1P + 16S + 1P |                  |      |        |   |   |   |      |   |    |    |

| PART NUMBER   | ROWS             | POWER (L) |    | SIGNAL |   |   |   |   |   | POWER (R) |    |    |    |    |    |
|---------------|------------------|-----------|----|--------|---|---|---|---|---|-----------|----|----|----|----|----|
|               |                  | P6        | P5 | 6      | 5 | 4 | 3 | 2 | 1 | P4        | P3 | P2 | P1 |    |    |
| 1600636-7     | D<br>C<br>B<br>A | RA        | RM | E      | E | E | E | E | E | E         | E  | RM | RA | RM | RA |
| 4P + 24S + 2P |                  |           |    |        |   |   |   |   |   |           |    |    |    |    |    |

| PART NUMBER       | ROWS             | POWER (L) |    |    | SIGNAL |   |   |   |   |   | POWER (R) |    |    |    |    |    |
|-------------------|------------------|-----------|----|----|--------|---|---|---|---|---|-----------|----|----|----|----|----|
|                   |                  | P6        | P5 | P4 | 6      | 5 | 4 | 3 | 2 | 1 | P3        | P2 | P1 |    |    |    |
| 1-1600636-4       | D<br>C<br>B<br>A | RM        | RM | RM | E      | E | E | E | E | E | E         | E  | E  | RA | RA | RA |
| 3ACP + 24S + 3ACP |                  |           |    |    |        |   |   |   |   |   |           |    |    |    |    |    |

**OBSOLETE**

|               |                        |
|---------------|------------------------|
| RM            | STANDARD POWER CONTACT |
| RA            | MFBL POWER CONTACT     |
| E             | SIGNAL CONTACT         |
| CODE          | DESCRIPTION            |
| CONTACT TABLE |                        |

THIS DRAWING IS A CONTROLLED DOCUMENT.

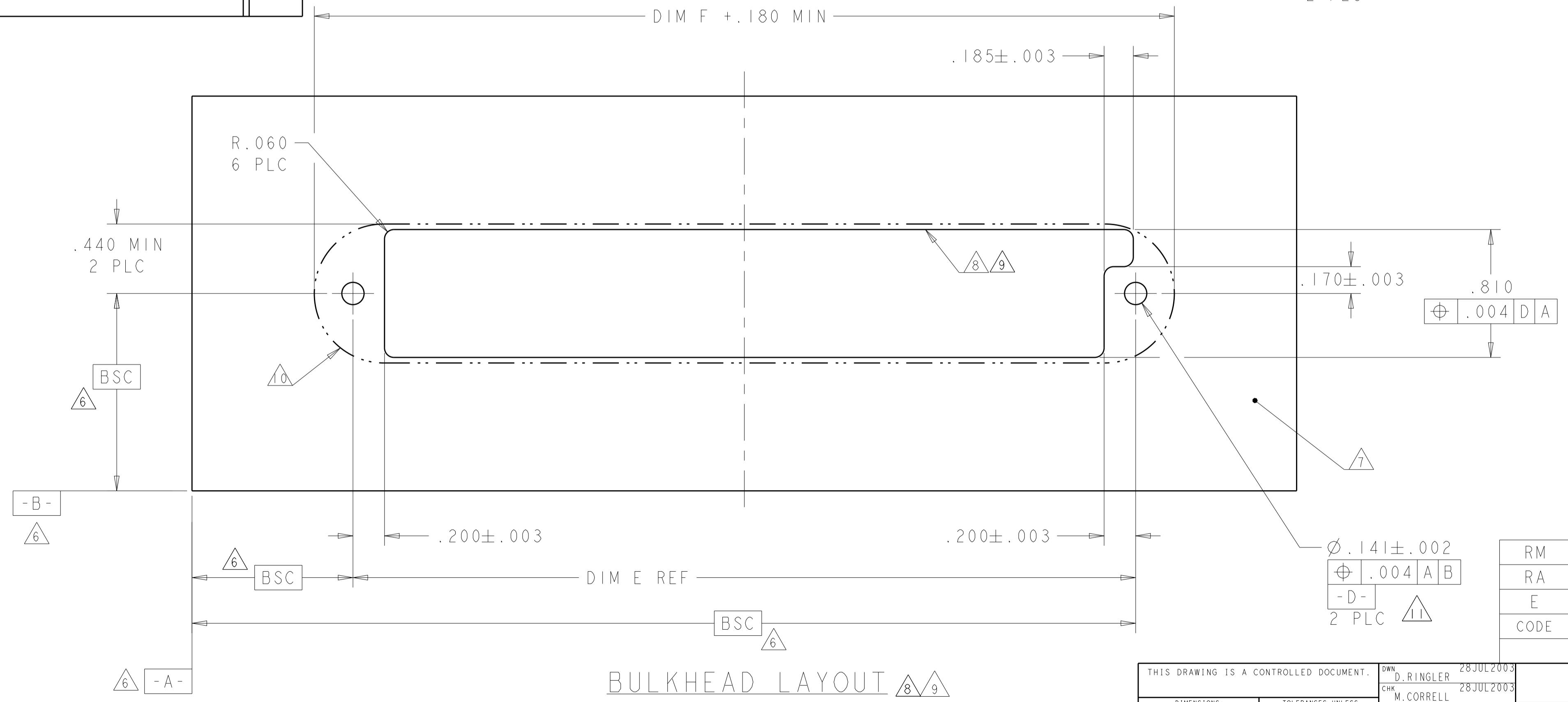
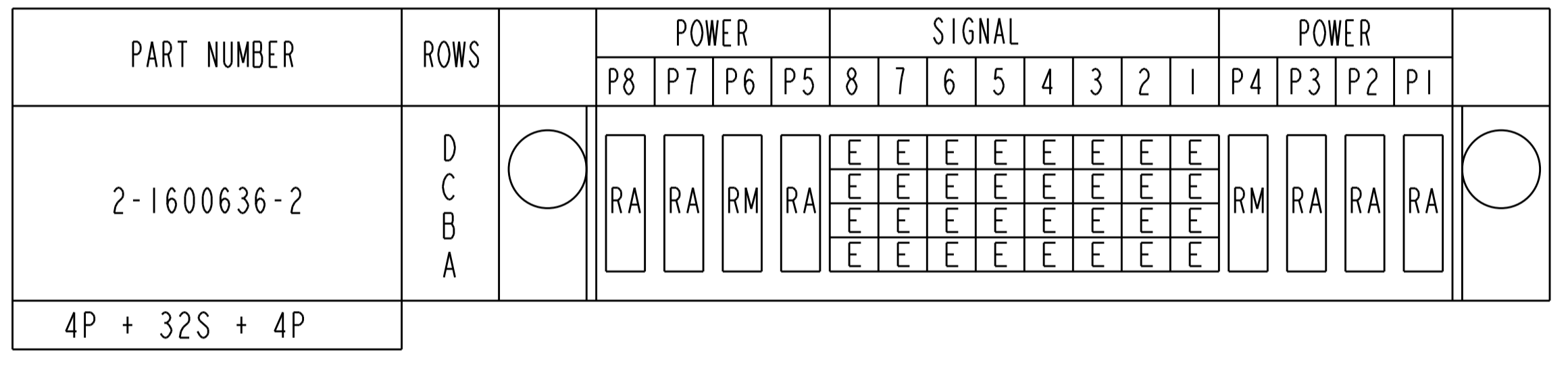
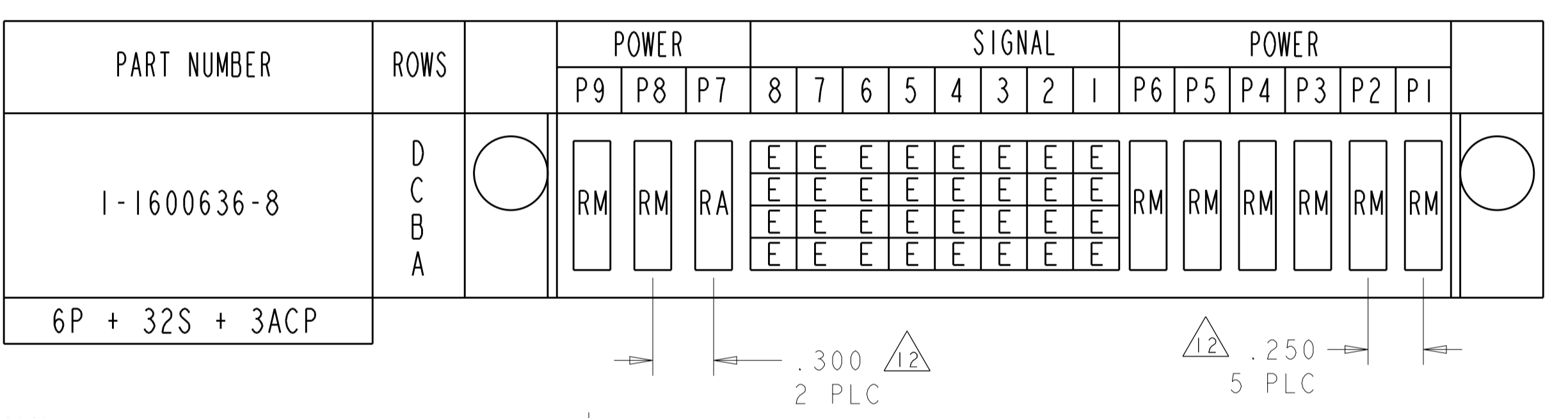
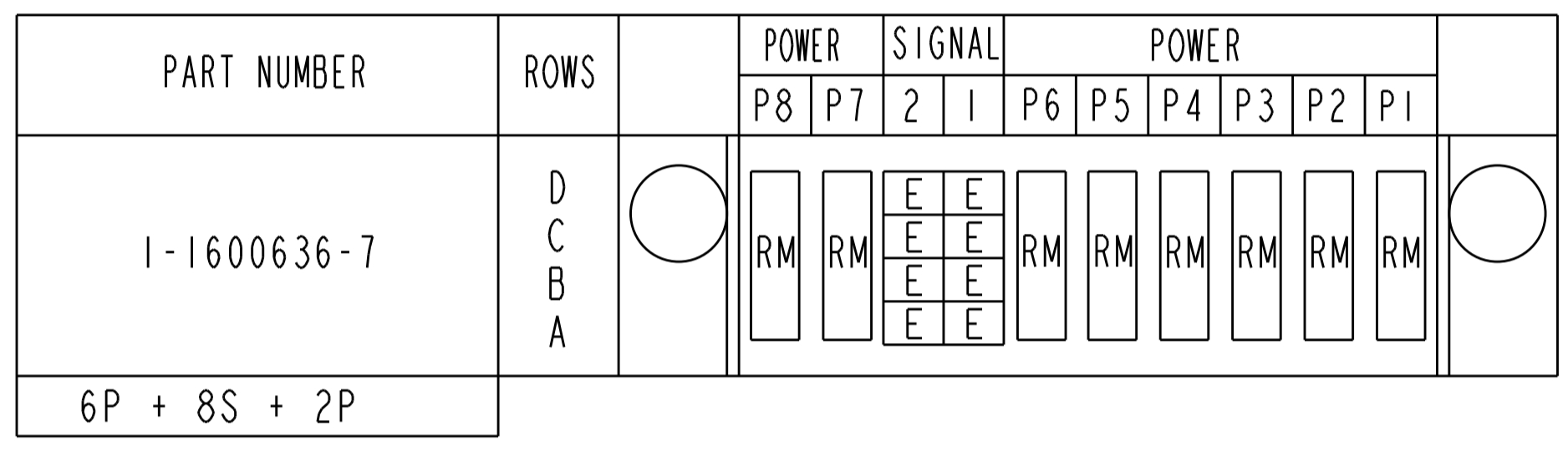
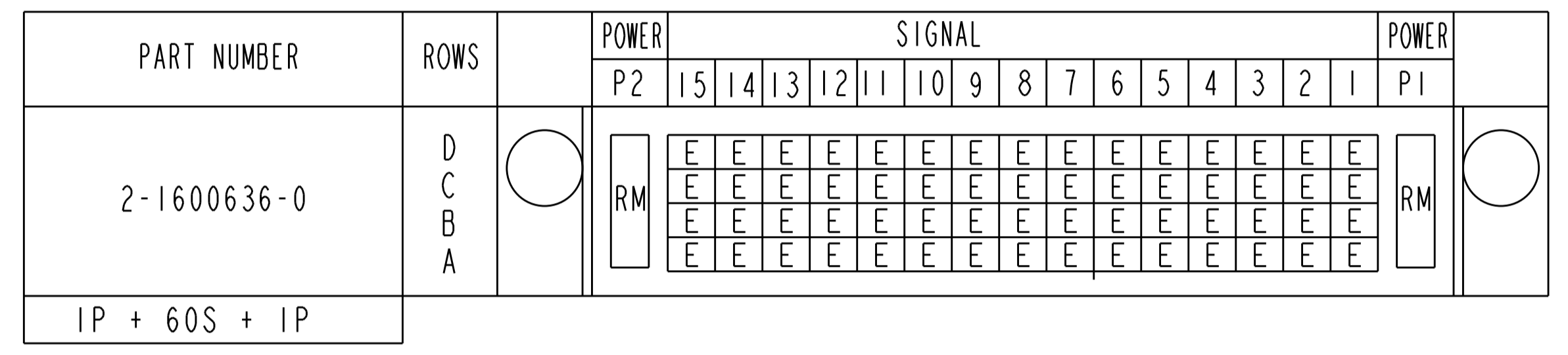
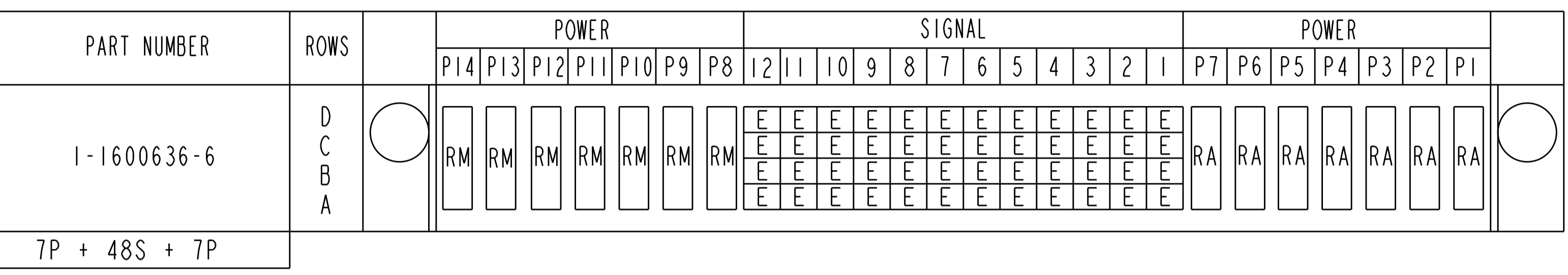
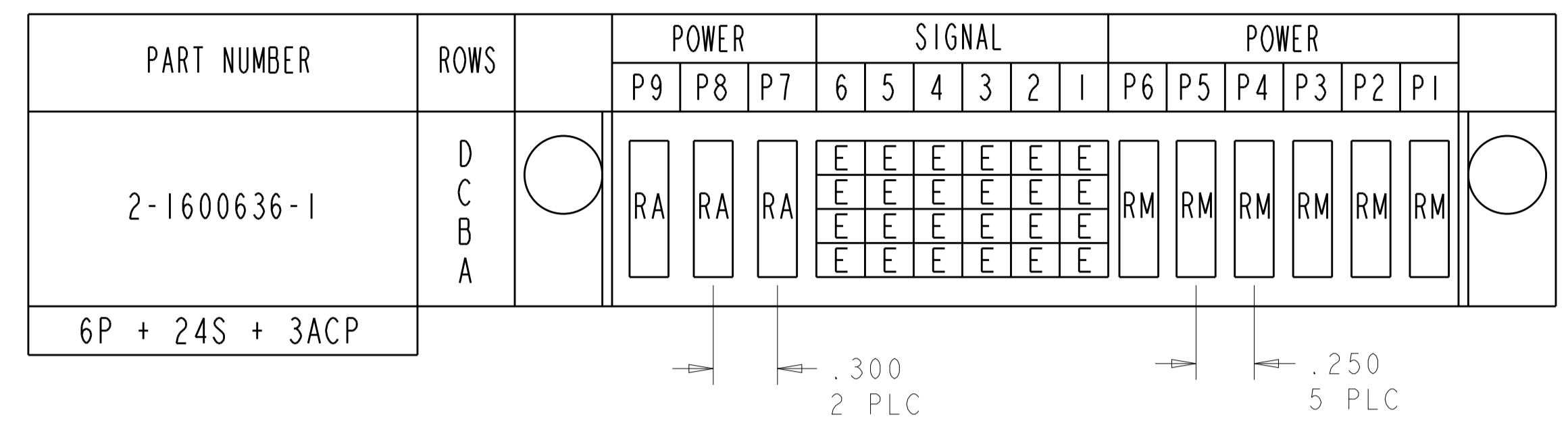
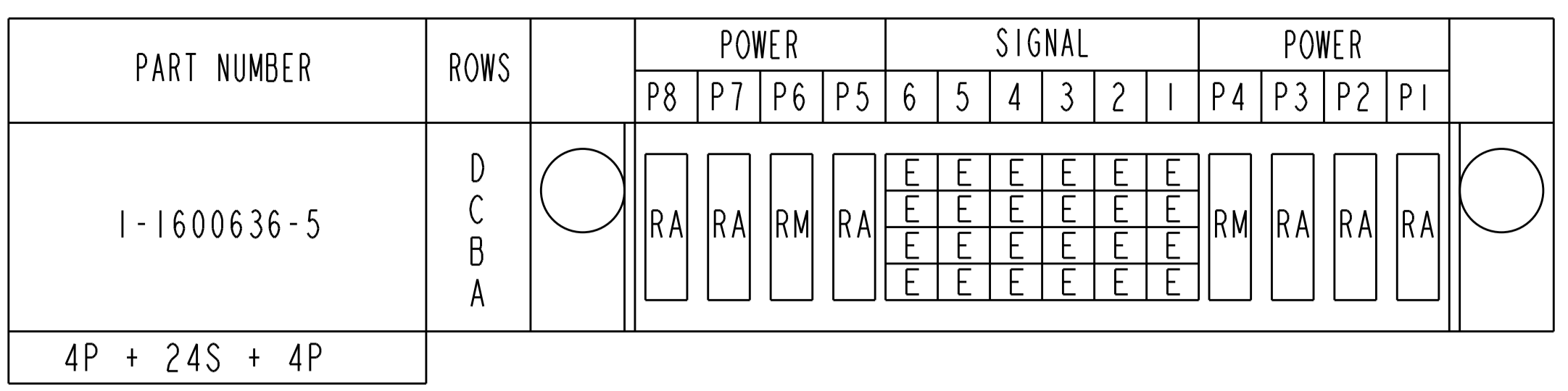
DIMENSIONS: mm  
 TOLERANCES UNLESS OTHERWISE SPECIFIED:  
 0 PLC ± .1  
 1 PLC ± .1  
 2 PLC ± .1  
 3 PLC ± .005  
 4 PLC ± .0020  
 ANGLES ± .1

MATERIAL: TBD  
 FINISH: -

DWN: D. RINGLER 28JUL2003  
 CHK: M. CORRELL 28JUL2003  
 APVD: -

PRODUCT SPEC: 108-2157  
 APPLICATION SPEC: 114-13112  
 WEIGHT: -  
 CUSTOMER DRAWING

**STE** TE Connectivity  
 NAME: PANEL MOUNT CABLE RECEPTACLE HOUSING WITH GUIDES MULTI-BEAM XL  
 SIZE: A1  
 CAGE CODE: -  
 DRAWING NO: 1600636  
 SCALE: 4:1 SHEET 1 OF 5 REV M5



| REFERENCE POWER WIRE CHART - RM & RA CONTACTS |                       |                           |
|---|-----------------------|---------------------------|
| HOUSING MODULE                                | CONTACT               | INSULATION DIAMETER RANGE |
| .300  | 8-10<br>1600960 REF   | [.176-.272]               |
| .250  | 8-10<br>1600960 REF   | [.176-.203]               |
|   | 12-14<br>1600961 REF  | [.156-.176]               |
| .200  | 12-14<br>1600961 REF  | [.120-.156]               |
| .100  | 22-26<br>531216-5 REF | [.036-.069]               |

| CODE          | DESCRIPTION            |
|---------------|------------------------|
| RM            | STANDARD POWER CONTACT |
| RA            | MFBL POWER CONTACT     |
| E             | SIGNAL CONTACT         |
| CONTACT TABLE |                        |

THIS DRAWING IS A CONTROLLED DOCUMENT. DWG: D. RINGLER 28JUL2003, CHK: M. CORRELL 28JUL2003, APVD: [Signature]

|                  |  |                  |  |
|------------------|--|------------------|--|
| DIMENSIONS: mm   | TOLERANCES UNLESS OTHERWISE SPECIFIED: | PRODUCT SPEC     | NAME   |
| 0 PLC ± .        | 1 PLC ± .                              | 108-2157         | PANEL MOUNT CABLE RECEPTACLE HOUSING WITH GUIDES MULTI-BEAM XL |
| 2 PLC ± .        | 3 PLC ± .005                           | APPLICATION SPEC | SIZE   |
| 4 PLC ± .0020    | ANGLES ± .                             | 114-13112        | A1   |
| MATERIAL: TBD    | FINISH: -                              | WEIGHT: -        | SCALE: 4:1   |
| CUSTOMER DRAWING |  | REVISIONS        | SHEET 1 OF 5   |

REV M5

| PART NUMBER     | ROWS             | POWER |     |     |     |     |    |    |    | SIGNAL |   |   |   |   |   |    |    | POWER |    |    |    |  |  |  |  |
|-----------------|------------------|-------|-----|-----|-----|-----|----|----|----|--------|---|---|---|---|---|----|----|-------|----|----|----|--|--|--|--|
|                 |                  | P14   | P13 | P12 | P11 | P10 | P9 | P8 | P7 | 6      | 5 | 4 | 3 | 2 | 1 | P6 | P5 | P4    | P3 | P2 | P1 |  |  |  |  |
| 2-1600636-3     | D<br>C<br>B<br>A | RM    | RA  |     |     |     |    |    |    | E      | E | E | E | E | E | RA |    | RM    | RM | RM | RM |  |  |  |  |
| 6ACP + 24S + 8P |                  |       |     |     |     |     |    |    |    |        |   |   |   |   |   |    |    |       |    |    |    |  |  |  |  |

| PART NUMBER      | ROWS             | POWER (L) |    | SIGNAL |   | POWER (R) |    |
|------------------|------------------|-----------|----|--------|---|-----------|----|
|                  |                  | P4        | P3 | 2      | 1 | P2        | P1 |
| 2-1600636-8      | D<br>C<br>B<br>A | RA        | RA | E      | E | RA        | RA |
| 2ACP + 8S + 2ACP |                  |           |    |        |   |           |    |

NO CONTACTS LOADED

| PART NUMBER   | ROWS             | POWER (L) |    |    | SIGNAL |   |   |   | POWER (R) |    |    |
|---------------|------------------|-----------|----|----|--------|---|---|---|-----------|----|----|
|               |                  | P6        | P5 | P4 | 4      | 3 | 2 | 1 | P3        | P2 | P1 |
| 2-1600636-4   | D<br>C<br>B<br>A | RM        | RM | RM | E      | E | E | E | RM        | RM | RM |
| 3P + 16S + 3P |                  |           |    |    |        |   |   |   |           |    |    |

| PART NUMBER    | ROWS             | POWER |    |    | SIGNAL |   | POWER |    |    |    |    |    |    |  |
|----------------|------------------|-------|----|----|--------|---|-------|----|----|----|----|----|----|--|
|                |                  | P10   | P9 | P8 | 2      | 1 | P7    | P6 | P5 | P4 | P3 | P2 | P1 |  |
| 2-1600636-9    | D<br>C<br>B<br>A | RM    | RM | RM | E      | E | RM    | RM | RM | RM | RM | RM | RM |  |
| 7P + 8S + 3ACP |                  |       |    |    |        |   |       |    |    |    |    |    |    |  |

| PART NUMBER    | ROWS             | POWER |    |    |    |    |    | SIGNAL |   | POWER |    |    |
|----------------|------------------|-------|----|----|----|----|----|--------|---|-------|----|----|
|                |                  | P9    | P8 | P7 | P6 | P5 | P4 | 2      | 1 | P3    | P2 | P1 |
| 3-1600636-4    | D<br>C<br>B<br>A | RM    | RM | RM | RM | RM | RM | E      | E | RM    | RM | RM |
| 3ACP + 8S + 6P |                  |       |    |    |    |    |    |        |   |       |    |    |

| PART NUMBER       | ROWS             | POWER (L) |    | SIGNAL |   |   |   |   |   | POWER (R) |    |
|-------------------|------------------|-----------|----|--------|---|---|---|---|---|-----------|----|
|                   |                  | P4        | P3 | 6      | 5 | 4 | 3 | 2 | 1 | P2        | P1 |
| 2-1600636-5       | D<br>C<br>B<br>A | RA        | RA | E      | E | E | E | E | E | RA        | RA |
| 2ACP + 24S + 2ACP |                  |           |    |        |   |   |   |   |   |           |    |

| PART NUMBER       | ROWS             | POWER |    |    | SIGNAL |   |   |   |   |   |   |   | POWER |    |    |
|-------------------|------------------|-------|----|----|--------|---|---|---|---|---|---|---|-------|----|----|
|                   |                  | P6    | P5 | P4 | 8      | 7 | 6 | 5 | 4 | 3 | 2 | 1 | P3    | P2 | P1 |
| 3-1600636-3       | D<br>C<br>B<br>A | RM    | RM | RM | E      | E | E | E | E | E | E | E | RA    | RM | RM |
| 3ACP + 32S + 3ACP |                  |       |    |    |        |   |   |   |   |   |   |   |       |    |    |

| PART NUMBER  | ROWS             | P(L) |   | SIGNAL |   | P(R) |   |
|--------------|------------------|------|---|--------|---|------|---|
|              |                  | P2   | 2 | 1      | 1 | P1   | 1 |
| 3-1600636-5  | D<br>C<br>B<br>A | RM   |   | E      | E | RM   |   |
| 1P + 8S + 1P |                  |      |   |        |   |      |   |

| PART NUMBER       | ROWS             | POWER |    |    | SIGNAL |   |   |   |   |   |   |   | POWER |    |    |
|-------------------|------------------|-------|----|----|--------|---|---|---|---|---|---|---|-------|----|----|
|                   |                  | P6    | P5 | P4 | 8      | 7 | 6 | 5 | 4 | 3 | 2 | 1 | P3    | P2 | P1 |
| 2-1600636-6       | D<br>C<br>B<br>A | RA    | RA | RA | E      | E | E | E | E | E | E | E | RM    | RM | RM |
| 3ACP + 32S + 3ACP |                  |       |    |    |        |   |   |   |   |   |   |   |       |    |    |


| PART NUMBER   | ROWS             | POWER (L) |    | SIGNAL |   |   |   | POWER (R) |    |
|---------------|------------------|-----------|----|--------|---|---|---|-----------|----|
|               |                  | P4        | P3 | 4      | 3 | 2 | 1 | P2        | P1 |
| 3-1600636-6   | D<br>C<br>B<br>A | RM        | RA | E      | E | E | E | RA        | RM |
| 2P + 16S + 2P |                  |           |    |        |   |   |   |           |    |

| PART NUMBER    | ROWS             | POWER |    |    |    |    |    | SIGNAL |   | POWER |    |    |
|----------------|------------------|-------|----|----|----|----|----|--------|---|-------|----|----|
|                |                  | P10   | P9 | P8 | P7 | P6 | P5 | P4     | 2 | 1     | P3 | P2 |
| 2-1600636-7    | D<br>C<br>B<br>A | RM    | RM | RM | RM | RM | RM | E      | E | RM    | RM | RM |
| 3ACP + 8S + 7P |                  |       |    |    |    |    |    |        |   |       |    |    |

| PART NUMBER   | ROWS             | POWER |   | SIGNAL |   |   |   |   |   |   |    | POWER |  |
|---------------|------------------|-------|---|--------|---|---|---|---|---|---|----|-------|--|
|               |                  | P2    | 8 | 7      | 6 | 5 | 4 | 3 | 2 | 1 | P1 | 1     |  |
| 3-1600636-7   | D<br>C<br>B<br>A | RM    |   | E      | E | E | E | E | E | E | E  | RM    |  |
| 1P + 32S + 1P |                  |       |   |        |   |   |   |   |   |   |    |       |  |

| PART NUMBER   | ROWS             | POWER (L) |    | SIGNAL |   |   |   |   |   | POWER (R) |    |    |    |
|---------------|------------------|-----------|----|--------|---|---|---|---|---|-----------|----|----|----|
|               |                  | P6        | P5 | 6      | 5 | 4 | 3 | 2 | 1 | P4        | P3 | P2 | P1 |
| 3-1600636-8   | D<br>C<br>B<br>A | RM        | RM | E      | E | E | E | E | E | RM        | RM | RM | RA |
| 4P + 24S + 2P |                  |           |    |        |   |   |   |   |   |           |    |    |    |



| PART NUMBER   | ROWS             | POWER |   | SIGNAL |   |   | POWER |   |
|---------------|------------------|-------|---|--------|---|---|-------|---|
|               |                  | P2    | 3 | 2      | 1 | 1 | P1    | 1 |
| 3-1600636-9   | D<br>C<br>B<br>A | RM    |   | E      | E | E | RM    |   |
| 1P + 12S + 1P |                  |       |   |        |   |   |       |   |

|  |  |   |   |
|--|--|---|---|
| THIS DRAWING IS A CONTROLLED DOCUMENT. |  | DWN: D. RINGLER 28JUL2003<br>CHW: M. CORRELL 28JUL2003  |  TE Connectivity |
| DIMENSIONS:<br>mm                      | TOLERANCES UNLESS OTHERWISE SPECIFIED:<br>0 PLC ± .<br>1 PLC ± .<br>2 PLC ± .<br>3 PLC ± .005<br>4 PLC ± .<br>ANGLES ± . | APVD: -<br>PRODUCT SPEC: -<br>APPLICATION SPEC: 108-2157<br>SIZE: 114-13112<br>WEIGHT: -<br>CUSTOMER DRAWING: - |   |

THIS DRAWING IS UNPUBLISHED. RELEASING FOR PUBLICATION 20  
 COPYRIGHT 20 BY - ALL RIGHTS RESERVED.

| REVISIONS |     |             |      |      |
|-----------|-----|-------------|------|------|
| P.        | LTN | DESCRIPTION | DATE | APPV |
| -         |     | SEE SHEET 1 | -    | -    |
|           |     |             |      |      |
|           |     |             |      |      |
|           |     |             |      |      |

| PART NUMBER     | ROWS |  | POWER |     |    | SIGNAL |    |   |   |   |   |   |   |   |   | POWER |    |    |    |    |    |    |    |   |    |   |   |   |  |  |  |  |  |  |  |  |  |  |
|-----------------|------|--|-------|-----|----|--------|----|---|---|---|---|---|---|---|---|-------|----|----|----|----|----|----|----|---|----|---|---|---|--|--|--|--|--|--|--|--|--|--|
|                 |      |  | P11   | P10 | P9 | 11     | 10 | 9 | 8 | 7 | 6 | 5 | 4 | 3 | 2 | 1     | P8 | P7 | P6 | P5 | P4 | P3 | P2 |   | P1 |   |   |   |  |  |  |  |  |  |  |  |  |  |
| 4-1600636-0     | D    |  |       |     |    | E      | E  | E | E | E | E | E | E | E | E | E     | E  | E  | E  | E  | E  | E  | E  | E | E  | E | E |   |  |  |  |  |  |  |  |  |  |  |
|                 | C    |  |       |     |    | E      | E  | E | E | E | E | E | E | E | E | E     | E  | E  | E  | E  | E  | E  | E  | E | E  | E | E | E |  |  |  |  |  |  |  |  |  |  |
|                 | B    |  |       |     |    | E      | E  | E | E | E | E | E | E | E | E | E     | E  | E  | E  | E  | E  | E  | E  | E | E  | E | E | E |  |  |  |  |  |  |  |  |  |  |
|                 | A    |  |       |     |    | E      | E  | E | E | E | E | E | E | E | E | E     | E  | E  | E  | E  | E  | E  | E  | E | E  | E | E | E |  |  |  |  |  |  |  |  |  |  |
| 8P + 44S + 3ACP |      |  |       |     |    |        |    |   |   |   |   |   |   |   |   |       |    |    |    |    |    |    |    |   |    |   |   |   |  |  |  |  |  |  |  |  |  |  |

|  |  |  |   |                  |  |                  |      |
|--|--|--|---|------------------|--|------------------|------|
| THIS DRAWING IS A CONTROLLED DOCUMENT.   |  | DWN<br>D. RINGLER 28JUL2003            |  |                  |  |                  |      |
|  |  | CHK<br>M. CORRELL 28JUL2003            |   |                  |  |                  |      |
| DIMENSIONS: mm   |  |  | APVD -  |                  | NAME   |                  |      |
| <br>0 PLC ±<br>1 PLC ±<br>2 PLC ±<br>3 PLC ±.005<br>4 PLC ±.0020<br>ANGLES ±.0020<br>FINISH - |  | TOLERANCES UNLESS OTHERWISE SPECIFIED: |   | PRODUCT SPEC     | PANEL MOUNT CABLE RECEPTACLE HOUSING WITH GUIDES MULTI-BEAM XL |                  |      |
|  |  |  |   | 108-2157         |  |                  |      |
|  |  |  |   |                  |  | APPLICATION SPEC | SIZE |
|  |  | MATERIAL TBD                           |   |                  |  | 114-13112        | A1   |
|  |  |  |   | WEIGHT -         | CAGE CODE DRAWING NO<br>- 1600636                              |                  |      |
|  |  |  |   | CUSTOMER DRAWING | RESTRICTED TO -  |                  |      |
|  |  |  | SCALE 4:1   | SHEET 1 OF 5     | REV M5   |                  |      |

Компания «Life Electronics» занимается поставками электронных компонентов импортного и отечественного производства от производителей и со складов крупных дистрибьюторов Европы, Америки и Азии.

С конца 2013 года компания активно расширяет линейку поставок компонентов по направлению коаксиальный кабель, кварцевые генераторы и конденсаторы (керамические, пленочные, электролитические), за счёт заключения дистрибьюторских договоров

Мы предлагаем:

- Конкурентоспособные цены и скидки постоянным клиентам.
- Специальные условия для постоянных клиентов.
- Подбор аналогов.
- Поставку компонентов в любых объемах, удовлетворяющих вашим потребностям.
- Приемлемые сроки поставки, возможна ускоренная поставка.
- Доставку товара в любую точку России и стран СНГ.
- Комплексную поставку.
- Работу по проектам и поставку образцов.
- Формирование склада под заказчика.
- Сертификаты соответствия на поставляемую продукцию (по желанию клиента).
- Тестирование поставляемой продукции.
- Поставку компонентов, требующих военную и космическую приемку.
- Входной контроль качества.
- Наличие сертификата ISO.

В составе нашей компании организован Конструкторский отдел, призванный помогать разработчикам, и инженерам.

Конструкторский отдел помогает осуществить:

- Регистрацию проекта у производителя компонентов.
- Техническую поддержку проекта.
- Защиту от снятия компонента с производства.
- Оценку стоимости проекта по компонентам.
- Изготовление тестовой платы монтаж и пусконаладочные работы.



Тел: +7 (812) 336 43 04 (многоканальный)  
Email: [org@lifeelectronics.ru](mailto:org@lifeelectronics.ru)