

Printmount Switch Short Stroke 12.7 mm



Printmount Switches
red

See below:

Approvals and Compliances

Description

- Switches are possible with different heights
- High-quality gold and silver contacts
- Solder terminals

Unique Selling Proposition

- Reliable tactile feedback on input
- Simple assembly
- Long life time

Weblinks

[pdf data sheet](#), [html datasheet](#), [General Product Information](#), [CAD-Drawings](#), [Product News](#), [Detailed request for product](#)

Technical Data

Electrical Data

Contact Material Silver

| | |
|--------------------------|--|
| Switching Voltage | max. 48 VDC |
| Switching Current | max. 125 mA |
| Rated Switching Capacity | 2.4 W |
| Lifetime | > 1 million actuations at Rated Switching Capacity |
| Contact Resistance | < 50 mΩ < 50 mΩ after lifetime |
| Insulation Resistance | > 100 MΩ |
| Duration of Bounce | typ. 0.1 ms |

Contact Material Gold

| | |
|--------------------------|--|
| Switching Voltage | max. 24 VDC |
| Switching Current | max. 50 mA |
| Rated Switching Capacity | 0.48 W |
| Lifetime | > 1 million actuations at Rated Switching Capacity |
| Contact Resistance | < 50 mΩ < 50 mΩ after lifetime |
| Insulation Resistance | > 100 MΩ |
| Duration of Bounce | typ. 0.1 ms |

Mechanical Data

| | |
|-------------------|------------------------|
| Actuating Force | 2.5 ± 0.5 N |
| Actuating Travel | 0.45 ± 0.1 mm |
| End Stop Strength | > 50 N |
| Lifetime | > 1 million actuations |

Climatical Data

| | |
|-----------------------|-----------------|
| Operating Temperature | -25 °C to 85 °C |
| Storage Temperature | -25 °C to 85 °C |
| IP-Protection | IP40 |

Other Data

| | |
|------------------|---------|
| Contact Material | Ag / Au |
|------------------|---------|

Soldering Data

| | |
|------------------------------|---|
| Solderability | 235 °C / 2 sec (IEC 60068-2-20 Test Ta Method 1) |
| Resistance to Soldering Heat | 260 °C / 5 sec (IEC 60068-2-20 Test Tb Method 1A) |

Material

| | |
|-------------------------|-----------------------------|
| Sealing membrane IP67 | VMQ |
| Contact Material Gold | CuZn37 3µm Ni 2 µm Au |
| Contact Material Silver | CuZn37 2,5 µm Au passivated |
| Socket | Thermoplastic (PA 66) |
| Actuator | Thermoplastic (PC) |
| Elongated Button | Thermoplastic (PC) |

Approvals and Compliances

Detailed information on product approvals, code requirements, usage instructions and detailed test conditions can be looked up in [Details about Approvals](#)

SCHURTER products are designed for use in industrial environments. They have approvals from independent testing bodies according to national and international standards. Products with specific characteristics and requirements such as required in the automotive sector according to IATF 16949, medical technology according to ISO 13485 or in the aerospace industry can be offered exclusively with customer-specific, individual agreements by SCHURTER.

Application standards

Application standards where the product can be used

| Organization | Design | Standard | Description |
|---|--------------------------------|----------------|--|
|  | Designed for applications acc. | IEC/UL 62368-1 | IEC 62368-1 includes the basic requirements for safety of audio, video, information technology and office equipment. |

Compliances

The product complies with following Guide Lines

| Identification | Details | Initiator | Description |
|--|------------|-------------|---|
|  | RoHS | SCHURTER AG | Directive RoHS 2011/65/EU, Amendment (EU) 2015/863 |
|  | China RoHS | SCHURTER AG | The law SJ / T 11363-2006 (China RoHS) has been in force since 1 March 2007. It is similar to the EU directive RoHS. |
|  | REACH | SCHURTER AG | On 1 June 2007, Regulation (EC) No 1907/2006 on the Registration, Evaluation, Authorization and Restriction of Chemicals 1 (abbreviated as "REACH") entered into force. |

Dimension [mm]

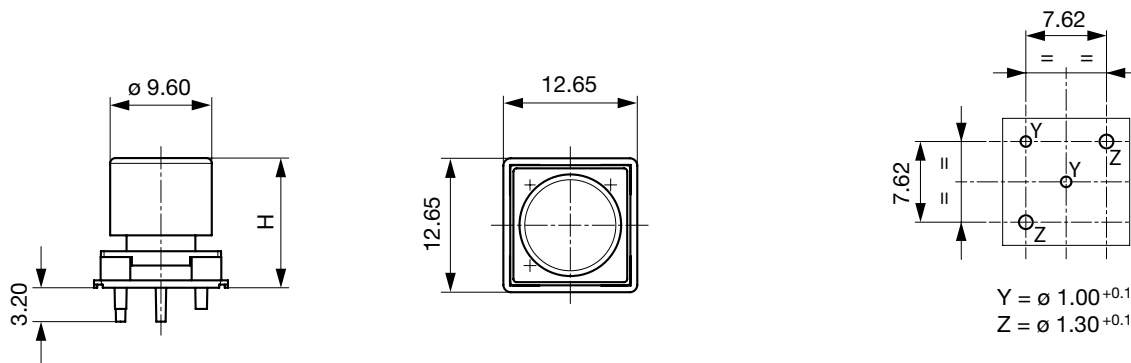
Short actuator



Long actuator



Height variable actuator



Drilling diagram

Diagrams



All Variants

| Kontakte | Type | Overall height / Color | Overall height ¹⁾ / Color | Bestellnummer |
|----------|-----------------|------------------------|--------------------------------------|---------------|
| Au | Long actuator | - | - | 1241.1022 |
| Au | Height variable | 10.75 mm / blue | - | 1241.1032.4 |
| Ag | Short actuator | - | - | 1241.1052 |
| Ag | Long actuator | - | - | 1241.1072 |
| Ag | Height variable | 8.50 mm / yellow | - | 1241.1082.1 |
| Ag | Height variable | - | 14.50 mm / yellow + black | 1241.1082.11 |
| Ag | Height variable | 9.25 mm / orange | - | 1241.1082.2 |
| Ag | Height variable | 10.00 mm / red | - | 1241.1082.3 |
| Ag | Height variable | 10.75 mm / blue | - | 1241.1082.4 |
| Ag | Height variable | - | 16.75 mm / blue + black | 1241.1082.41 |
| Ag | Height variable | 11.50 mm / green | - | 1241.1082.5 |
| Ag | Height variable | 13.75 mm / white | - | 1241.1082.8 |

¹⁾ Starting with 14.50 mm the heights are achieved with an additional (second) cap of black color

 Most Popular.

Availability for all products can be searched real-time: <https://www.schurter.com/en/Stock-Check/Stock-Check-SCHURTER>

Packaging unit 100 pcs

Компания «Life Electronics» занимается поставками электронных компонентов импортного и отечественного производства от производителей и со складов крупных дистрибьюторов Европы, Америки и Азии.

С конца 2013 года компания активно расширяет линейку поставок компонентов по направлению коаксиальный кабель, кварцевые генераторы и конденсаторы (керамические, пленочные, электролитические), за счёт заключения дистрибьюторских договоров

Мы предлагаем:

- Конкуренеспособные цены и скидки постоянным клиентам.
- Специальные условия для постоянных клиентов.
- Подбор аналогов.
- Поставку компонентов в любых объемах, удовлетворяющих вашим потребностям.
- Приемлемые сроки поставки, возможна ускоренная поставка.
- Доставку товара в любую точку России и стран СНГ.
- Комплексную поставку.
- Работу по проектам и поставку образцов.
- Формирование склада под заказчика.
- Сертификаты соответствия на поставляемую продукцию (по желанию клиента).
- Тестирование поставляемой продукции.
- Поставку компонентов, требующих военную и космическую приемку.
- Входной контроль качества.
- Наличие сертификата ISO.

В составе нашей компании организован Конструкторский отдел, призванный помогать разработчикам, и инженерам.

Конструкторский отдел помогает осуществить:

- Регистрацию проекта у производителя компонентов.
- Техническую поддержку проекта.
- Защиту от снятия компонента с производства.
- Оценку стоимости проекта по компонентам.
- Изготовление тестовой платы монтаж и пусконаладочные работы.



Тел: +7 (812) 336 43 04 (многоканальный)

Email: org@lifeelectronics.ru