

## Hybrid motor starter - ELR H5-I-PT- 24DC/500AC-9 - 2903912

Please be informed that the data shown in this PDF Document is generated from our Online Catalog. Please find the complete data in the user's documentation. Our General Terms of Use for Downloads are valid (<http://phoenixcontact.com/download>)



Hybrid motor starter for reversing 3~ AC motors up to 550 V AC, with 24 V DC input, 9 A output current, adjustable overload shutdown, and push-in connection.

The figure shows the ELR H5-IES-PT- 24DC/500AC-9 version

### Product Features



### Key commercial data

|                                      |           |
|--------------------------------------|-----------|
| Packing unit                         | 1 pc      |
| Weight per Piece (excluding packing) | 280.0 GRM |
| Custom tariff number                 | 85371099  |
| Country of origin                    | Germany   |

### Technical data

#### Input data

|                                       |   |
|---------------------------------------|---|
| Input name                            | Device supply                           |
| Rated control supply voltage $U_S$    | 24 V DC (According to IEC 60947-1)      |
| Voltage range with reference to $U_S$ | 0.8 ... 1.25                            |
| Rated control supply current $I_S$    | $\leq 40$ mA                            |
| Protective circuit                    | Protection against polarity reversal    |
|                                       | Surge protection                        |
| Operating voltage display             | Green LED                               |
| Status display                        | Yellow LED                              |
| Indication                            | Red LED                                 |
| Input name                            | Control input right/left                |
| Typical input current at $U_N$        | $\leq 5$ mA                             |
| Rated control supply current $I_S$    | $\leq 40$ mA (According to IEC 60947-1) |

# Hybrid motor starter - ELR H5-I-PT- 24DC/500AC-9 - 2903912

## Technical data

### Input data

|                                       |                                      |
|---------------------------------------|--------------------------------------|
| Rated actuating voltage $U_C$         | 24 V DC                              |
| Voltage range with reference to $U_C$ | 0.8 ... 1.25                         |
| Rated actuating current $I_C$         | $\leq 5$ mA                          |
| Protective circuit                    | Protection against polarity reversal |
| Typical response time                 | $< 35$ ms                            |
| Typical turn-off time                 | $< 40$ ms                            |

### Output data load output

|                                   |                               |
|-----------------------------------|-------------------------------|
| Rated operating voltage $U_e$     | 500 V AC                      |
| Operating voltage range           | 42 V AC ... 550 V AC          |
| Load current                      | max. 9 A (see derating curve) |
| Min. load current                 | 1.5 A                         |
| Rated operating current at AC-51  | 9 A                           |
| Rated operating current at AC-53a | 6.5 A                         |
| Leakage current                   | 0 mA                          |
| Residual voltage                  | $< 0.5$ V (at $I_e$ )         |
| Protective circuit                | Surge protection              |

### Output data reply output

|                                       |  |
|---------------------------------------|--|
| Note                                  | Confirmation 01: floating change-over contact, signal contact    |
| Contact type                          | 1 PDT  |
| Contact material                      | AgSnO <sub>2</sub> , hard gold-plated                            |
| Maximum switching voltage             | 30 V AC  |
|                                       | 36 V DC  |
| Minimum switching voltage             | 100 mV AC/DC (at 10 mA)  |
| Min. switching current                | 1 mA (at 24 V)   |
| Maximum inrush current                | 50 mA  |
| Limiting continuous current           | 50 mA  |
| Interrupting rating (ohmic load) max. | 1.2 W (at 24 V DC)   |
| Note                                  | the following values are applicable if a gold layer is destroyed |
| Maximum switching voltage             | 250 V AC/DC  |
| Minimum switching voltage             | 5 V (at 100 mA)  |
| Min. switching current                | 10 mA (at 12 V)  |
| Limiting continuous current           | 6 A  |
| Interrupting rating (ohmic load) max. | 140 W (at 24 V DC)   |
|                                       | 20 W (at 48 V DC)  |
|                                       | 18 W (at 60 V DC)  |
|                                       | 23 W (at 110 V DC)   |

# Hybrid motor starter - ELR H5-I-PT- 24DC/500AC-9 - 2903912

## Technical data

### Output data reply output

|   |                        |
|---|------------------------|
|   | 40 W (at 220 V DC)     |
|   | 1500 VA (for 250 V AC) |
| Switching capacity according to IEC 60947-5-1 | 2 A (at 24 V, DC13)    |
|   | 0.2 A (at 110 V, DC13) |
|   | 0.1 A (at 220 V, DC13) |
|   | 3 A (at 24 V, AC15)    |
|   | 3 A (at 120 V, AC15)   |
|   | 3 A (at 230 V, AC15)   |

### Measuring technology and signaling contact

|               |   |
|---------------|---|
| Measuring via | Current transformer for line current on L1 and L3 |
|---------------|---|

### Connection data

|                                       |                     |
|---------------------------------------|---------------------|
| Connection method                     | Push-in connection  |
| Stripping length                      | 10 mm               |
| Conductor cross section solid min.    | 0.2 mm <sup>2</sup> |
| Conductor cross section solid max.    | 2.5 mm <sup>2</sup> |
| Conductor cross section flexible min. | 0.2 mm <sup>2</sup> |
| Conductor cross section flexible max. | 2.5 mm <sup>2</sup> |
| Conductor cross section AWG min.      | 24                  |
| Conductor cross section AWG max.      | 14                  |

### General

|                           |  |
|---------------------------|--|
| Test voltage input/output | 4 kV <sub>rms</sub>  |
| Mounting position         | Vertical (horizontal DIN rail)                                       |
| Assembly instructions     | can be aligned with spacing: see derating                            |
| Operating mode            | 100% operating factor  |
| Designation               | Air clearances and creepage distances between the power circuits     |
| Standards/regulations     | DIN EN 50178   |
| Insulation                | Safe isolation (EN 50178) for mains voltage ≤ 500 V AC               |
|                           | Safe isolation (IEC 60947-1) for mains voltage ≤ 300 V AC            |
|                           | Basic insulation (IEC 60947-1) for mains voltage of 300 ... 500 V AC |
| Pollution degree          | 2  |
| Surge voltage category    | III  |
| Designation               | Standards/regulations  |
| Standards/regulations     | IEC 60947-1  |
|                           | EN 60947-4-2   |

### Dimensions

# Hybrid motor starter - ELR H5-I-PT- 24DC/500AC-9 - 2903912

## Technical data

### Dimensions

|        |          |
|--------|----------|
| Width  | 22.5 mm  |
| Height | 99 mm    |
| Depth  | 114.5 mm |

### Ambient conditions

|   |                  |
|---|------------------|
| Ambient temperature (operation)         | -25 °C ... 70 °C |
| Ambient temperature (storage/transport) | -40 °C ... 80 °C |
| Degree of protection                    | IP20             |

### UL data

|                                     |  |
|-------------------------------------|--|
| Short-circuit current rating (SCCR) | 100 kA (500 V AC (30 A CC/30 A J (high fault) fuse)) |
|                                     | 5 kA (500 V AC (20 A RK5 (standard fault) fuse))     |

## Classifications

### eCl@ss

|            |          |
|------------|----------|
| eCl@ss 4.0 | 27371102 |
| eCl@ss 4.1 | 27371102 |
| eCl@ss 5.0 | 27371601 |
| eCl@ss 5.1 | 27371601 |
| eCl@ss 6.0 | 27371601 |
| eCl@ss 7.0 | 27371601 |
| eCl@ss 8.0 | 27370905 |

### ETIM

|          |          |
|----------|----------|
| ETIM 3.0 | EC000066 |
| ETIM 4.0 | EC000066 |
| ETIM 5.0 | EC001037 |

### UNSPSC

|               |          |
|---------------|----------|
| UNSPSC 6.01   | 30211915 |
| UNSPSC 7.0901 | 39121514 |
| UNSPSC 11     | 39121514 |
| UNSPSC 12.01  | 39121514 |
| UNSPSC 13.2   | 39121514 |

## Approvals

### Approvals

# Hybrid motor starter - ELR H5-I-PT- 24DC/500AC-9 - 2903912

## Approvals

Approvals

UL Listed / cUL Listed / IECEE CB Scheme / UL Listed / cUL Listed / cULus Listed

---

Ex Approvals


---


Approvals submitted

---


## Approval details


UL Listed 

cUL Listed 

IECEE CB Scheme 

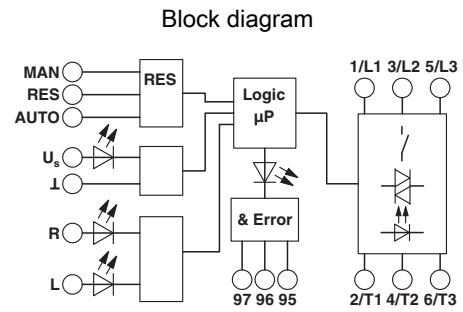
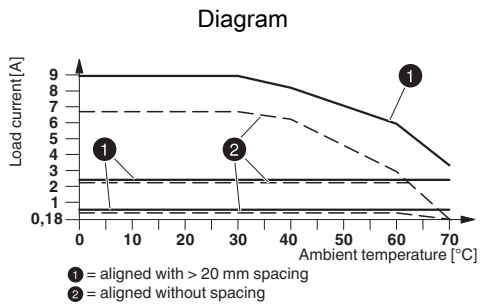
UL Listed 

cUL Listed 

cULus Listed 

## Drawings

# Hybrid motor starter - ELR H5-I-PT- 24DC/500AC-9 - 2903912



## Derating diagram

Компания «Life Electronics» занимается поставками электронных компонентов импортного и отечественного производства от производителей и со складов крупных дистрибьюторов Европы, Америки и Азии.

С конца 2013 года компания активно расширяет линейку поставок компонентов по направлению коаксиальный кабель, кварцевые генераторы и конденсаторы (керамические, пленочные, электролитические), за счёт заключения дистрибьюторских договоров

Мы предлагаем:

- Конкуренспособные цены и скидки постоянным клиентам.
- Специальные условия для постоянных клиентов.
- Подбор аналогов.
- Поставку компонентов в любых объемах, удовлетворяющих вашим потребностям.
- Приемлемые сроки поставки, возможна ускоренная поставка.
- Доставку товара в любую точку России и стран СНГ.
- Комплексную поставку.
- Работу по проектам и поставку образцов.
- Формирование склада под заказчика.
- Сертификаты соответствия на поставляемую продукцию (по желанию клиента).
- Тестирование поставляемой продукции.
- Поставку компонентов, требующих военную и космическую приемку.
- Входной контроль качества.
- Наличие сертификата ISO.

В составе нашей компании организован Конструкторский отдел, призванный помогать разработчикам, и инженерам.

Конструкторский отдел помогает осуществить:

- Регистрацию проекта у производителя компонентов.
- Техническую поддержку проекта.
- Защиту от снятия компонента с производства.
- Оценку стоимости проекта по компонентам.
- Изготовление тестовой платы монтаж и пусконаладочные работы.



Тел: +7 (812) 336 43 04 (многоканальный)

Email: [org@lifeelectronics.ru](mailto:org@lifeelectronics.ru)