

Universal Evaluation Board for Single, 8-Lead SOIC Operational Amplifiers

FEATURES

- Enables quick breadboarding/prototyping
- User defined circuit configuration
- Edge mounted Subminiature Version A (SMA) connector provisions
- Easy connection to test equipment and other circuits

GENERAL DESCRIPTION

The SO8 SINGLE AMP evaluation board aids in the evaluation of single, 8-lead SOIC operational amplifiers. The SO8 SINGLE AMP evaluation board is a bare board with no components soldered on, which enables users to prototype a variety of operational amplifier circuits. The SO8 SINGLE AMP evaluation board supports any of the Analog Devices, Inc., single operational amplifiers in 8-lead SOIC packages with and without a dedicated feedback pin, an exposed paddle, and an external compensation pin.

The 6-layer evaluation board accepts edge mounted SMA connectors on both inputs and outputs to allow an efficient connection to test equipment and other circuitry.

Optimized power and ground planes ensure low noise and high speed operation. Component placement and power supply bypassing are optimized for maximum circuit flexibility and performance. The evaluation board accepts 0402 or 0603 surface-mount technology (SMT) components, 1206 bypass capacitors, and 100 mil headers.

All components are placed on the primary side. No components are placed on the secondary side.

SO8 SINGLE AMP EVALUATION BOARD IMAGES

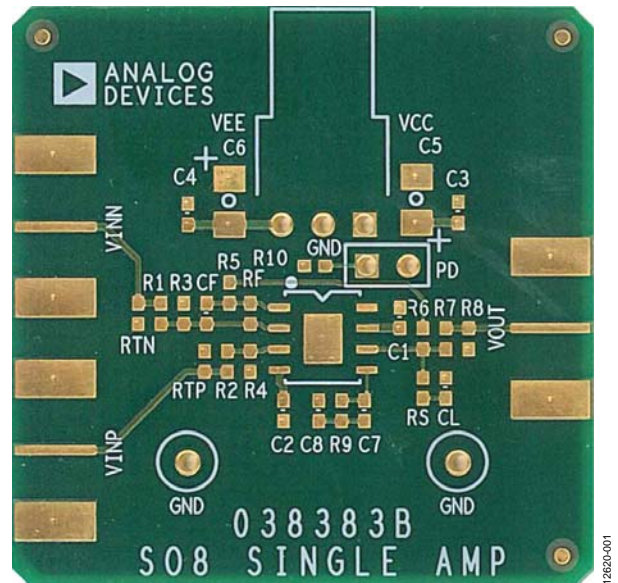


Figure 1. SO8 SINGLE AMP Evaluation Board, Primary Side



Figure 2. SO8 SINGLE AMP Evaluation Board, Secondary Side

TABLE OF CONTENTS

Features	1	Amplifiers with Dedicated Feedback Pin	4
General Description	1	Amplifiers with External Compensation Pin	4
SO8 SINGLE AMP Evaluation Board Images	1	Power Supply Bypassing	4
Revision History	2	Evaluation Board Stack-Up	4
Schematic, Assembly Drawings, and Board Layout	3	Ordering Information	5
Board Assembly	4	Bill of Materials	5
Amplifiers with No Dedicated Feedback Pin	4		

REVISION HISTORY

4/15—Revision 0: Initial Version

SCHEMATIC, ASSEMBLY DRAWINGS, AND BOARD LAYOUT

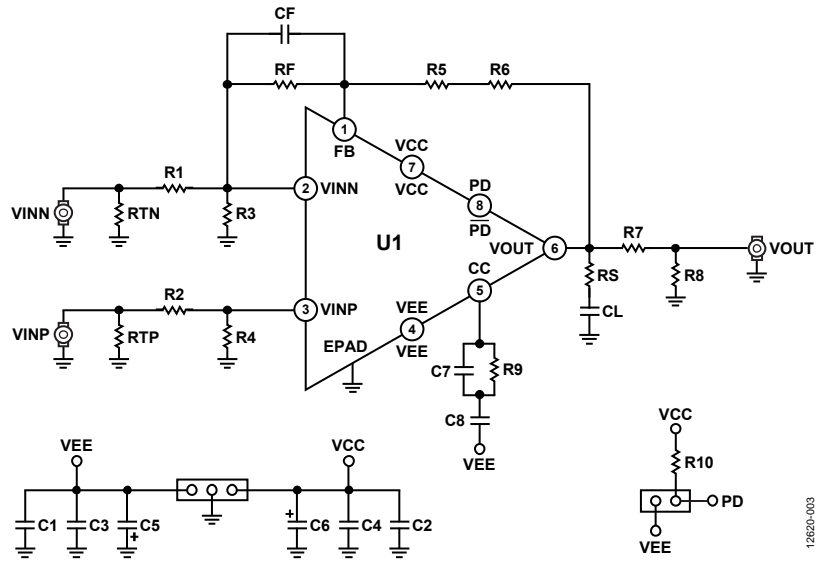


Figure 3. SO8 SINGLE AMP Evaluation Board Schematic

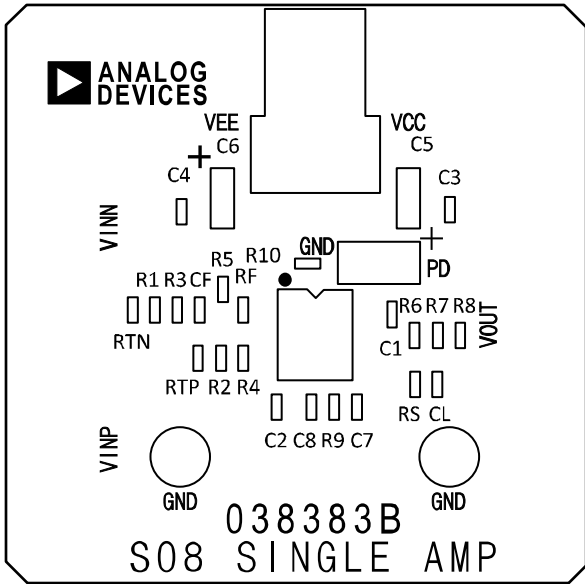


Figure 4. Board Assembly Drawing, Primary Side

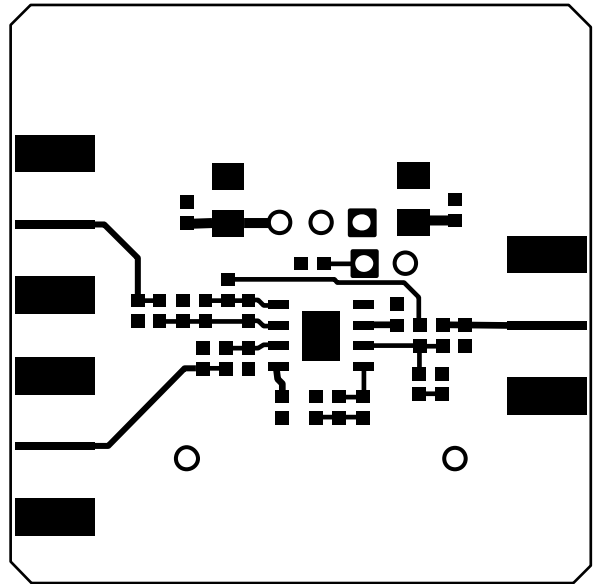


Figure 5. Board Layout Pattern, Primary Side

BOARD ASSEMBLY

AMPLIFIERS WITH NO DEDICATED FEEDBACK PIN

Pin 1 of these amplifiers is a no connect (NC). Place 0 Ω resistors at locations R5 and R6 to complete the external path from the output pin, Pin 6, to the feedback resistor, RF.

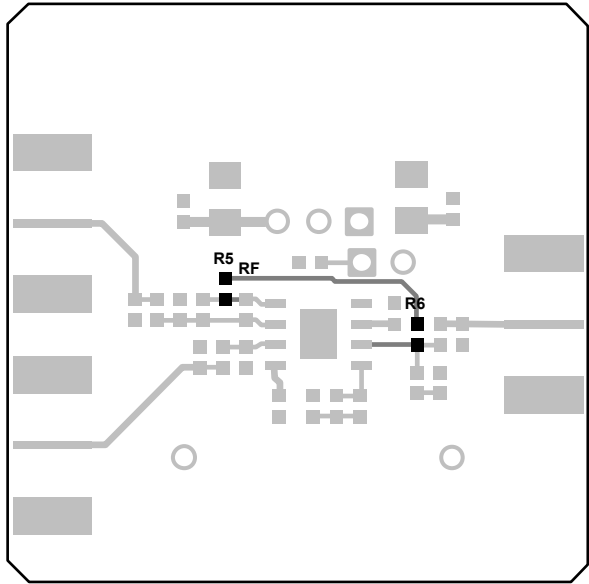


Figure 6. External Feedback Connections

AMPLIFIERS WITH DEDICATED FEEDBACK PIN

High speed amplifiers with a dedicated feedback pin provide an internal connection between the output pin, Pin 6, and the feedback pin, Pin 1. To ensure optimum performance, do not install R5 and R6.

AMPLIFIERS WITH EXTERNAL COMPENSATION PIN

Pin 5 of these amplifiers accepts an external compensation network. The compensation network is referenced to the VEE pin.

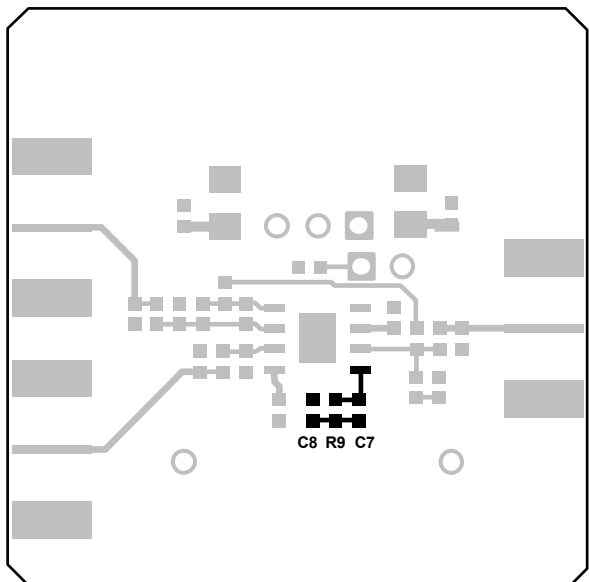


Figure 7. Compensation Network Location

POWER SUPPLY BYPASSING

Internal power planes provide adequate interplanar capacitance for certain applications. External bypass capacitors, C1 and C2, provide additional high frequency bypassing at the amplifier power pins. The C3, C4, C5, and C6 Capacitors provide additional board level bypassing.

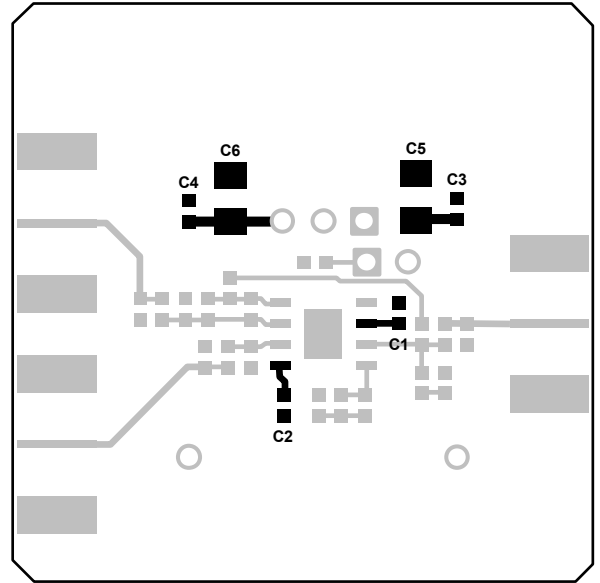


Figure 8. Bypass Capacitor Locations

EVALUATION BOARD STACK-UP

This 6-layer FR4 board design provides optimized high speed and low noise performance. First ground layer is spaced to provide 50 Ω controlled impedance with the primary layer to optimize high frequency performance.

The VCC layer is sandwiched with the GND layer to provide mechanical stability and distributed interplanar capacitance between VCC and GND.

The bottom three layers sandwich the VEE plane layers between two GND layers, generating distributed interplanar capacitance.

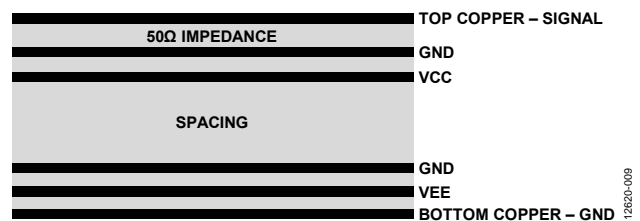


Figure 9. Stack-Up

ORDERING INFORMATION

BILL OF MATERIALS

Table 1.

Quantity	Reference Designator	Description	Value			Package
			General	No CC Pin	No FB Pin	
3	VINP, VINN, VOUT	Side mount SMA				SMA/SMT
4	C1, C2, C3, C4	Capacitor	0.1 μ F			0402/0603
2	C5, C6	Capacitor	10 μ F			1206
2	CF, CL	Capacitor	User defined			0402/0603
2	C7, C8	Capacitor	User defined	DNI		0402/0603
1	R9	Resistor	User defined	DNI		0402/0603
6	R1, R2, R3, R4, R7, R8	Resistor	User defined			0402/0603
2	R5, R6	Resistor	DNI		0 Ω	0402/0603
4	RTP, RTN, RF, RS	Resistor	User defined			0402/0603
1	R10	Resistor	1 k Ω			0402/0603
2	GND	Test point				TP
1	VEE, VCC	Header 100 mil, 3 position				Molex 22-23-2031
1	PD	Header 100 mil, 2 position				Molex 22-03-2031
1	U1	8-lead SOIC amplifier				8-lead SOIC

**ESD Caution**

ESD (electrostatic discharge) sensitive device. Charged devices and circuit boards can discharge without detection. Although this product features patented or proprietary protection circuitry, damage may occur on devices subjected to high energy ESD. Therefore, proper ESD precautions should be taken to avoid performance degradation or loss of functionality.

Legal Terms and Conditions

By using the evaluation board discussed herein (together with any tools, components documentation or support materials, the "Evaluation Board"), you are agreeing to be bound by the terms and conditions set forth below ("Agreement") unless you have purchased the Evaluation Board, in which case the Analog Devices Standard Terms and Conditions of Sale shall govern. Do not use the Evaluation Board until you have read and agreed to the Agreement. Your use of the Evaluation Board shall signify your acceptance of the Agreement. This Agreement is made by and between you ("Customer") and Analog Devices, Inc. ("ADI"), with its principal place of business at One Technology Way, Norwood, MA 02062, USA. Subject to the terms and conditions of the Agreement, ADI hereby grants to Customer a free, limited, personal, temporary, non-exclusive, non-sublicensable, non-transferable license to use the Evaluation Board FOR EVALUATION PURPOSES ONLY. Customer understands and agrees that the Evaluation Board is provided for the sole and exclusive purpose referenced above, and agrees not to use the Evaluation Board for any other purpose. Furthermore, the license granted is expressly made subject to the following additional limitations: Customer shall not (i) rent, lease, display, sell, transfer, assign, sublicense, or distribute the Evaluation Board; and (ii) permit any Third Party to access the Evaluation Board. As used herein, the term "Third Party" includes any entity other than ADI, Customer, their employees, affiliates and in-house consultants. The Evaluation Board is NOT sold to Customer; all rights not expressly granted herein, including ownership of the Evaluation Board, are reserved by ADI. CONFIDENTIALITY. This Agreement and the Evaluation Board shall all be considered the confidential and proprietary information of ADI. Customer may not disclose or transfer any portion of the Evaluation Board to any other party for any reason. Upon discontinuation of use of the Evaluation Board or termination of this Agreement, Customer agrees to promptly return the Evaluation Board to ADI. ADDITIONAL RESTRICTIONS. Customer may not disassemble, decompile or reverse engineer chips on the Evaluation Board. Customer shall inform ADI of any occurred damages or any modifications or alterations it makes to the Evaluation Board, including but not limited to soldering or any other activity that affects the material content of the Evaluation Board. Modifications to the Evaluation Board must comply with applicable law, including but not limited to the RoHS Directive. TERMINATION. ADI may terminate this Agreement at any time upon giving written notice to Customer. Customer agrees to return to ADI the Evaluation Board at that time. LIMITATION OF LIABILITY. THE EVALUATION BOARD PROVIDED HEREUNDER IS PROVIDED "AS IS" AND ADI MAKES NO WARRANTIES OR REPRESENTATIONS OF ANY KIND WITH RESPECT TO IT. ADI SPECIFICALLY DISCLAIMS ANY REPRESENTATIONS, ENDORSEMENTS, GUARANTEES, OR WARRANTIES, EXPRESS OR IMPLIED, RELATED TO THE EVALUATION BOARD INCLUDING, BUT NOT LIMITED TO, THE IMPLIED WARRANTY OF MERCHANTABILITY, TITLE, FITNESS FOR A PARTICULAR PURPOSE OR NON-INFRINGEMENT OF INTELLECTUAL PROPERTY RIGHTS. IN NO EVENT WILL ADI AND ITS LICENSORS BE LIABLE FOR ANY INCIDENTAL, SPECIAL, INDIRECT, OR CONSEQUENTIAL DAMAGES RESULTING FROM CUSTOMER'S POSSESSION OR USE OF THE EVALUATION BOARD, INCLUDING BUT NOT LIMITED TO LOST PROFITS, DELAY COSTS, LABOR COSTS OR LOSS OF GOODWILL. ADI'S TOTAL LIABILITY FROM ANY AND ALL CAUSES SHALL BE LIMITED TO THE AMOUNT OF ONE HUNDRED US DOLLARS (\$100.00). EXPORT. Customer agrees that it will not directly or indirectly export the Evaluation Board to another country, and that it will comply with all applicable United States federal laws and regulations relating to exports. GOVERNING LAW. This Agreement shall be governed by and construed in accordance with the substantive laws of the Commonwealth of Massachusetts (excluding conflict of law rules). Any legal action regarding this Agreement will be heard in the state or federal courts having jurisdiction in Suffolk County, Massachusetts, and Customer hereby submits to the personal jurisdiction and venue of such courts. The United Nations Convention on Contracts for the International Sale of Goods shall not apply to this Agreement and is expressly disclaimed.

©2015 Analog Devices, Inc. All rights reserved. Trademarks and registered trademarks are the property of their respective owners.
UG12620-0-4/15(0)



www.analog.com

Компания «Life Electronics» занимается поставками электронных компонентов импортного и отечественного производства от производителей и со складов крупных дистрибьюторов Европы, Америки и Азии.

С конца 2013 года компания активно расширяет линейку поставок компонентов по направлению коаксиальный кабель, кварцевые генераторы и конденсаторы (керамические, пленочные, электролитические), за счёт заключения дистрибьюторских договоров

Мы предлагаем:

- Конкуренспособные цены и скидки постоянным клиентам.
- Специальные условия для постоянных клиентов.
- Подбор аналогов.
- Поставку компонентов в любых объемах, удовлетворяющих вашим потребностям.
- Приемлемые сроки поставки, возможна ускоренная поставка.
- Доставку товара в любую точку России и стран СНГ.
- Комплексную поставку.
- Работу по проектам и поставку образцов.
- Формирование склада под заказчика.
- Сертификаты соответствия на поставляемую продукцию (по желанию клиента).
- Тестирование поставляемой продукции.
- Поставку компонентов, требующих военную и космическую приемку.
- Входной контроль качества.
- Наличие сертификата ISO.

В составе нашей компании организован Конструкторский отдел, призванный помогать разработчикам, и инженерам.

Конструкторский отдел помогает осуществить:

- Регистрацию проекта у производителя компонентов.
- Техническую поддержку проекта.
- Защиту от снятия компонента с производства.
- Оценку стоимости проекта по компонентам.
- Изготовление тестовой платы монтаж и пусконаладочные работы.



Тел: +7 (812) 336 43 04 (многоканальный)

Email: org@lifeelectronics.ru