

Description

The 74LVC1G04 is a single inverter gate with a standard push-pull output. The device is designed for operation with a power supply range of 1.65V to 5.5V. The inputs are tolerant to 5.5V allowing this device to be used in a mixed voltage environment. The device is fully specified for partial power down applications using I_{OFF}. The I_{OFF} circuitry disables the output preventing damaging current backflow when the device is powered down.

The gate performs the positive Boolean function:

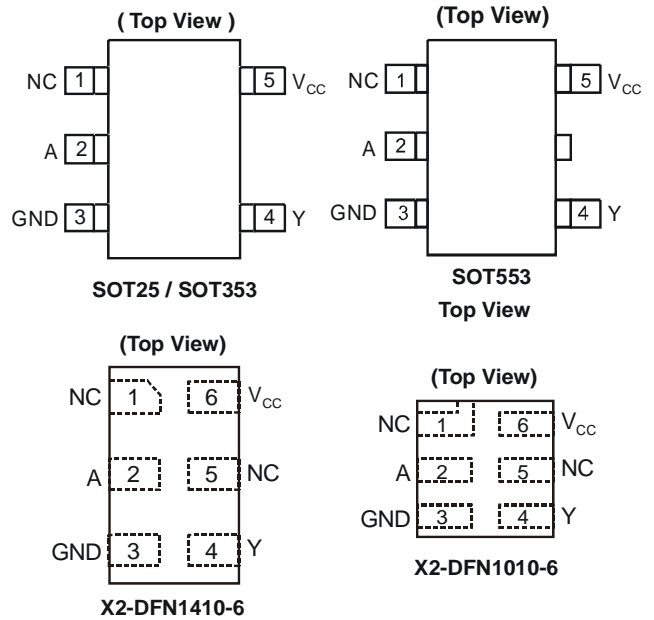
$$Y = \bar{A}$$

Features

- Wide Supply Voltage Range from 1.65 to 5.5V
- ±24mA Output Drive at 3.3V
- CMOS low power consumption
- I_{OFF} Supports Partial-Power-Down Mode Operation
- Inputs accept up to 5.5V
- ESD Protection Tested per JESD 22
 - Exceeds 200-V Machine Model (A115-A)
 - Exceeds 2000-V Human Body Model (A114-A)
 - Exceeds 1000-V Charged Device Model (C101C)
- Latch-Up Exceeds 100mA per JESD 78, Class II
- Range of Package Options
- Direct Interface with TTL Levels
- All packages Assembled with “Green” Molding Compound (no Br, Sb)
- Lead Free Finish/ RoHS Compliant (Note 1)

Notes: 1. EU Directive 2002/95/EC (RoHS) & 2011/65/EU (RoHS 2) compliant. No purposely added lead. Halogen and Antimony free. Please visit our website at http://www.diodes.com/products/lead_free.html

Pin Assignments



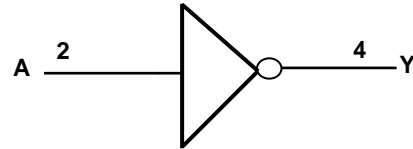
Applications

- Voltage Level Shifting
- General Purpose Logic
- Power Down Signal Isolation
- Wide array of products such as.
 - PCs, networking, notebooks, netbooks, PDAs
 - Tablet Computers, E-readers
 - Computer peripherals, hard drives, CD/DVD ROM
 - TV, DVD, DVR, set top box
 - Cell Phones, Personal Navigation / GPS
 - MP3 players, Cameras, Video Recorders

Pin Descriptions

| Pin Name | Description |
|-----------------|----------------|
| NC | No Connection |
| A | Data Input |
| GND | Ground |
| Y | Data Output |
| V _{CC} | Supply Voltage |

Logic Diagram



Function Table

| Inputs | Output |
|--------|--------|
| A | Y |
| H | L |
| L | H |

Absolute Maximum Ratings (Note 2)

| Symbol | Description | Rating | Unit |
|-----------------------------------|---|------------------------------|------|
| ESD HBM | Human Body Model ESD Protection | 2 | KV |
| ESD CDM | Charged Device Model ESD Protection | 1 | KV |
| ESD MM | Machine Model ESD Protection | 200 | V |
| V _{CC} | Supply Voltage Range | -0.5 to 6.5 | V |
| V _I | Input Voltage Range | -0.5 to 6.5 | V |
| V _O | Voltage applied to output in high impedance or I _{OFF} state | -0.5 to 6.5 | V |
| V _O | Voltage applied to output in high or low state. | -0.3 to V _{CC} +0.5 | V |
| I _{IK} | Input Clamp Current V _I <0 | -50 | mA |
| I _{OK} | Output Clamp Current | -50 | mA |
| I _O | Continuous output current | ±50 | mA |
| I _{CC} , I _{GN} | Continuous current through V _{CC} or GND | ±100 | mA |
| T _J | Operating Junction Temperature | -40 to 150 | °C |
| T _{STG} | Storage Temperature | -65 to 150 | °C |

Notes: 2. Stresses beyond the absolute maximum may result in immediate failure or reduced reliability. These are stress values and device operation should be within recommend values.

Recommended Operating Conditions (Note 3)

| Symbol | Parameter | Min | Max | Unit | |
|-----------------|------------------------------------|---|------------------------|------------------------|------|
| V _{CC} | Operating Voltage | Operating | 1.65 | 5.5 | V |
| | | Data retention only | 1.5 | | V |
| V _{IH} | High-level Input Voltage | V _{CC} = 1.65V to 1.95V | 0.65 X V _{CC} | | V |
| | | V _{CC} = 2.3V to 2.7V | 1.7 | | |
| | | V _{CC} = 3V to 3.6V | 2 | | |
| | | V _{CC} = 4.5V to 5.5V | 0.7 X V _{CC} | | |
| V _{IL} | Low-level input voltage | V _{CC} = 1.65V to 1.95V | | 0.35 X V _{CC} | V |
| | | V _{CC} = 2.3V to 2.7V | | 0.7 | |
| | | V _{CC} = 3V to 3.6V | | 0.8 | |
| | | V _{CC} = 4.5V to 5.5V | | 0.3 X V _{CC} | |
| V _I | Input Voltage | 0 | 5.5 | V | |
| V _O | Output Voltage | 0 | V _{CC} | V | |
| I _{OH} | High-level output current | V _{CC} = 1.65V | | -4 | mA |
| | | V _{CC} = 2.3V | | -8 | |
| | | V _{CC} = 3V | | -16 | |
| | | V _{CC} = 4.5V | | -32 | |
| I _{OL} | Low-level output current | V _{CC} = 1.65V | | 4 | mA |
| | | V _{CC} = 2.3V | | 8 | |
| | | V _{CC} = 3V | | 16 | |
| | | V _{CC} = 4.5V | | 32 | |
| Δt/ΔV | Input transition rise or fall rate | V _{CC} = 1.8V ± 0.15V, 2.5V ± 0.2V | | 20 | ns/V |
| | | V _{CC} = 3.3V ± 0.3V | | 10 | |
| | | V _{CC} = 5V ± 0.5V | | 5 | |
| T _A | Operating free-air temperature | -40 | 125 | °C | |

Notes: 3. Unused inputs should be held at V_{CC} or Ground.

Electrical Characteristics (All typical values are at $V_{CC} = 3.3V$, $T_A = 25^\circ C$)

| Symbol | Parameter | Test Conditions | V_{CC} | -40°C to 85°C | | | -40°C to 125°C | | Unit |
|-----------------|----------------------------|----------------------------------|---------------|----------------|-----------|----------|----------------|-----------|---------|
| | | | | Min | Typ. | Max | Min | Max | |
| V_{OH} | High Level Output Voltage | $I_{OH} = -100\mu A$ | 1.65V to 5.5V | $V_{CC} - 0.1$ | | | $V_{CC} - 0.1$ | | V |
| | | $I_{OH} = -4mA$ | 1.65V | 1.2 | | | 0.95 | | |
| | | $I_{OH} = -8mA$ | 2.3V | 1.9 | | | 1.7 | | |
| | | $I_{OH} = -16mA$ | 3V | 2.4 | | | 2.2 | | |
| | | $I_{OH} = -24mA$ | | 2.3 | | | 2.0 | | |
| | | $I_{OH} = -32mA$ | 4.5V | 3.8 | | | 3.4 | | |
| V_{OL} | Low Level Output Voltage | $I_{OL} = 100\mu A$ | 1.65V to 5.5V | | | 0.1 | | 0.1 | V |
| | | $I_{OL} = 4mA$ | 1.65V | | | 0.45 | | 0.7 | |
| | | $I_{OL} = 8mA$ | 2.3V | | | 0.3 | | 0.45 | |
| | | $I_{OL} = 16mA$ | 3V | | | 0.4 | | 0.6 | |
| | | $I_{OL} = 24mA$ | | | | 0.55 | | 0.8 | |
| | | $I_{OL} = 32mA$ | 4.5V | | | 0.55 | | .8 | |
| I_I | Input Current | $V_I = 5.5V$ or GND | 0 to 5.5V | | ± 0.1 | ± 5 | | ± 100 | μA |
| I_{OFF} | Power Down Leakage Current | V_I or $V_O = 5.5V$ | 0V | | | ± 10 | | ± 200 | μA |
| I_{CC} | Supply Current | $V_I = 5.5V$ or GND $I_O = 0$ | 5.5V | | 0.1 | 10 | | 200 | μA |
| ΔI_{CC} | Additional Supply Current | Input at $V_{CC} - 0.6V$ | 3V to 5.5V | | | 500 | | 5000 | μA |
| C_i | Input Capacitance | $V_i = V_{CC} -$ or GND | 3.3V | | 5 | | | | pF |

Package Characteristics (All typical values are at $V_{CC} = 3.3V$, $T_A = 25^\circ C$)

| Symbol | Parameter | Test Conditions | V_{CC} | Min | Typ. | Max | Unit |
|---------------|--|-----------------|----------|-----|------|-----|--------------|
| θ_{JA} | Thermal Resistance Junction-to-Ambient | SOT25 | (Note 4) | | 204 | | $^\circ C/W$ |
| | | SOT353 | | | 371 | | |
| | | SOT553 | | | 231 | | |
| | | X2-DFN1010-6 | | | 445 | | |
| | | X2-DFN1410-6 | | | 460 | | |
| θ_{JC} | Thermal Resistance Junction-to-Case | SOT25 | (Note 4) | | 52 | | $^\circ C/W$ |
| | | SOT353 | | | 143 | | |
| | | SOT553 | | | 105 | | |
| | | X2-DFN1010-6 | | | 250 | | |
| | | X2-DFN1410-6 | | | 265 | | |

Notes: 4. Test condition for SOT25, SOT353, SOT553, X2-DFN1410-6 and X2-DFN1010-6: Device mounted on FR-4 substrate PC board, 2oz copper, with minimum recommended pad layout.

Switching Characteristics

Figure 1 Typical Values at $T_A = 25^\circ C$ and nominal voltages 1.8V, 2.5V, 2.7V, 3.3V, and 5.0V.

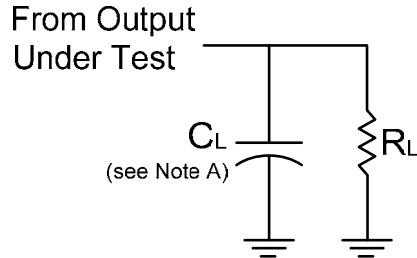
| Parameter | From Input | To Output | V_{CC} | $T_A = -40^\circ C$ to $85^\circ C$ | | | $T_A = -40^\circ C$ to $125^\circ C$ | | Unit |
|-----------|------------|-----------|------------------|-------------------------------------|-----|-----|--------------------------------------|-----|------|
| | | | | Min | Typ | Max | Min | Max | |
| t_{pd} | A or B | Y | $1.8V \pm 0.15V$ | 1.0 | 3.0 | 7.5 | 1.0 | 9.5 | ns |
| | | | $2.5V \pm 0.2V$ | 0.5 | 2.0 | 5.0 | 0.5 | 6.5 | |
| | | | 2.7V | 0.5 | 2.3 | 5.2 | 0.5 | 7.0 | |
| | | | $3.3V \pm 0.3V$ | 0.5 | 2.0 | 4.2 | 0.5 | 5.5 | |
| | | | $5.0V \pm 0.5V$ | 0.5 | 1.6 | 3.7 | 0.5 | 5.0 | |

Operating Characteristics

$T_A = 25^\circ C$

| Parameter | Test Conditions | $V_{CC} = 1.8V$ | $V_{CC} = 2.5V$ | $V_{CC} = 3.3V$ | $V_{CC} = 5V$ | Unit | |
|-----------|-------------------------------|-----------------|-----------------|-----------------|---------------|------|----|
| | | Typ. | Typ. | Typ. | Typ. | | |
| C_{pd} | Power dissipation capacitance | $f = 10$ MHz | 16 | 16 | 16 | 16 | pF |

Parameter Measurement Information



| V_{CC} | Inputs | | V_M | C_L | R_L |
|------------------|----------|--------------|------------|-------|--------------|
| | V_I | t_r/t_f | | | |
| $1.8V \pm 0.15V$ | V_{CC} | $\leq 2ns$ | $V_{CC}/2$ | 30 pF | 1 K Ω |
| $2.5V \pm 0.2V$ | V_{CC} | $\leq 2ns$ | $V_{CC}/2$ | 30 pF | 500 Ω |
| 2.7V | V_{CC} | $\leq 2.5ns$ | 1.5V | 50 pF | 500 Ω |
| $3.3V \pm 0.3V$ | 3.0 V | $\leq 2.5ns$ | 1.5V | 50 pF | 500 Ω |
| $5.0V \pm 0.5V$ | V_{CC} | $\leq 2.5ns$ | $V_{CC}/2$ | 50 pF | 500 Ω |

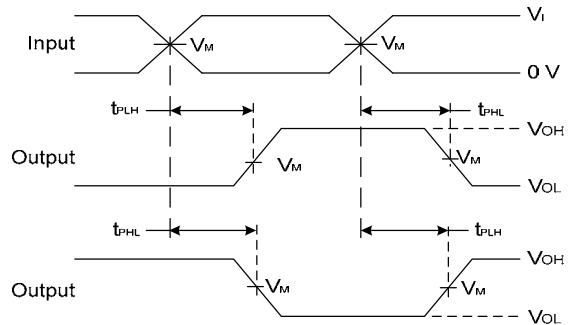
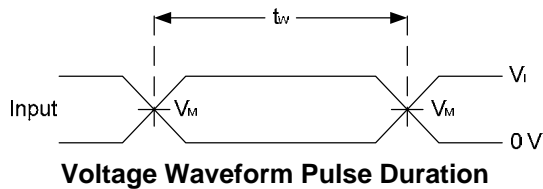
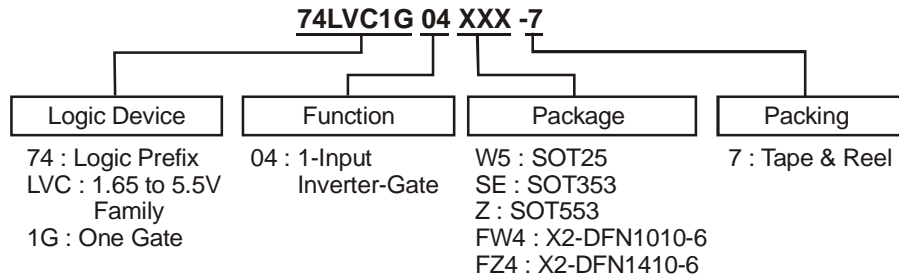


Figure 1. Load Circuit and Voltage Waveforms

- Notes:
- A. Includes test lead and test apparatus capacitance.
 - B. All pulses are supplied at pulse repetition rate ≤ 10 MHz.
 - C. t_{PLH} and t_{PHL} are the same as t_{PD} .

Ordering Information

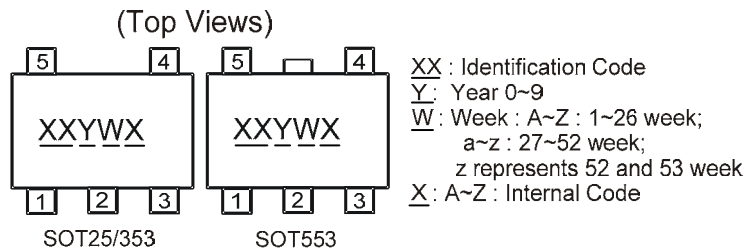


| Device | Package Code | Packaging (Note 6) | 7" Tape and Reel | |
|-----------------|--------------|--------------------|------------------|--------------------|
| | | | Quantity | Part Number Suffix |
| 74LVC1G04W5-7 | W5 | SOT25 | 3000/Tape & Reel | -7 |
| 74LVC1G04SE-7 | SE | SOT353 | 3000/Tape & Reel | -7 |
| 74LVC1G04Z-7 | Z | SOT553 | 4000/Tape & Reel | -7 |
| 74LVC1G04FW4-7 | FW4 | X2-DFN1010-6 | 5000/Tape & Reel | -7 |
| 74LVC1G04 FZ4-7 | FZ4 | X2-DFN1410-6 | 5000/Tape & Reel | -7 |

Notes: 5. Pad layout as shown on Diodes Inc. suggested pad layout document AP02001, which can be found on our website at <http://www.diodes.com/datasheets/ap02001.pdf>.
6. The taping orientation is located on our website at <http://www.diodes.com/datasheets/ap02007.pdf>

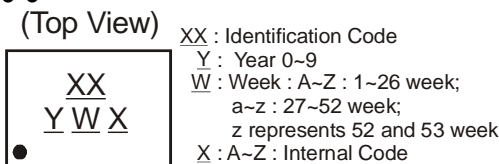
Marking Information

(1) SOT25, SOT353 and SOT553



| Part Number | Package | Identification Code |
|-------------|---------|---------------------|
| 74LVC1G04W5 | SOT25 | UU |
| 74LVC1G04SE | SOT353 | UU |
| 74LVC1G04Z | SOT553 | UU |

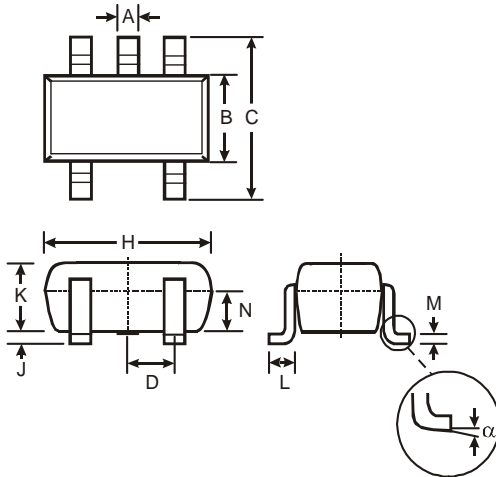
(2) X2-DFN1010-6 and X2-DFN1410-6



| Part Number | Package | Identification Code |
|--------------|--------------|---------------------|
| 74LVC1G04FW4 | X2-DFN1010-6 | UU |
| 74LVC1G04FZ4 | X2-DFN1410-6 | UU |

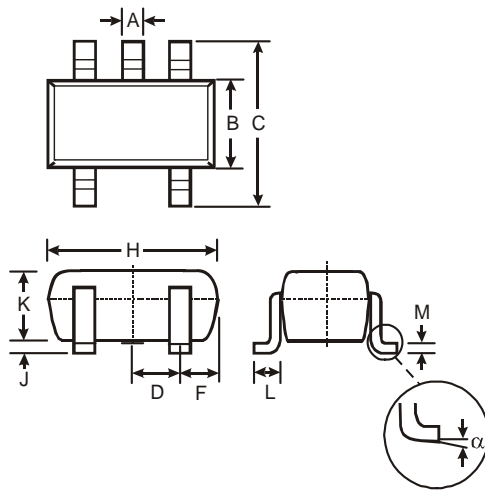
Package Outline Dimensions (All Dimensions in mm)

(1) Package Type: SOT25



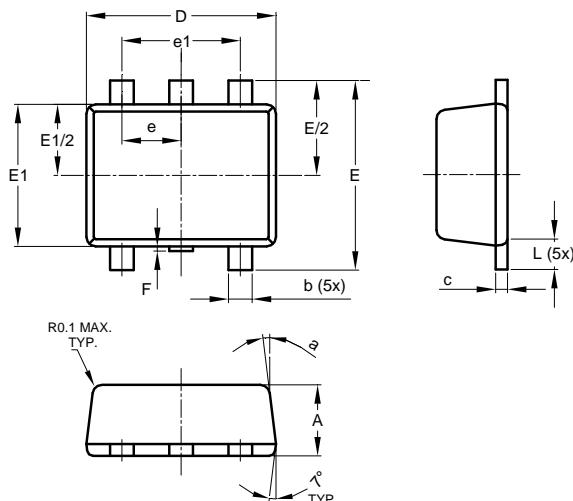
| SOT25 | | | |
|----------------------|-------|------|------|
| Dim | Min | Max | Typ |
| A | 0.35 | 0.50 | 0.38 |
| B | 1.50 | 1.70 | 1.60 |
| C | 2.70 | 3.00 | 2.80 |
| D | — | — | 0.95 |
| H | 2.90 | 3.10 | 3.00 |
| J | 0.013 | 0.10 | 0.05 |
| K | 1.00 | 1.30 | 1.10 |
| L | 0.35 | 0.55 | 0.40 |
| M | 0.10 | 0.20 | 0.15 |
| N | 0.70 | 0.80 | 0.75 |
| α | 0° | 8° | — |
| All Dimensions in mm | | | |

(2) Package Type: SOT353



| SOT353 | | |
|----------------------|----------|------|
| Dim | Min | Max |
| A | 0.10 | 0.30 |
| B | 1.15 | 1.35 |
| C | 2.00 | 2.20 |
| D | 0.65 Typ | |
| F | 0.40 | 0.45 |
| H | 1.80 | 2.20 |
| J | 0 | 0.10 |
| K | 0.90 | 1.00 |
| L | 0.25 | 0.40 |
| M | 0.10 | 0.22 |
| α | 0° | 8° |
| All Dimensions in mm | | |

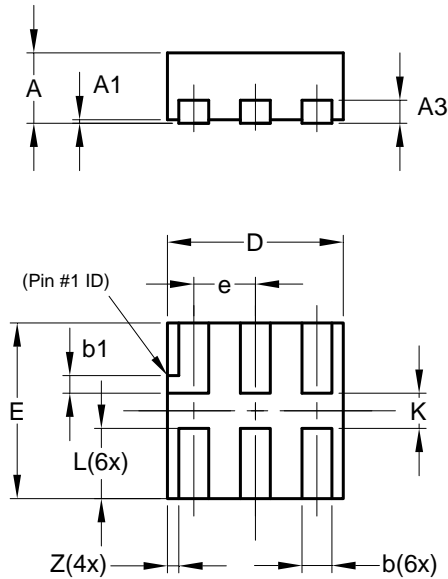
(3) Package Type: SOT553



| SOT553 | | | |
|----------------------|----------|------|------|
| Dim | Min | Max | Typ |
| A | 0.55 | 0.62 | 0.60 |
| b | 0.15 | 0.30 | 0.20 |
| c | 0.10 | 0.18 | 0.15 |
| D | 1.50 | 1.70 | 1.60 |
| E | 1.55 | 1.70 | 1.60 |
| E1 | 1.10 | 1.25 | 1.20 |
| e | 0.50 BSC | | |
| e1 | 1.00 BSC | | |
| F | 0.00 | 0.10 | — |
| L | 0.10 | 0.30 | 0.20 |
| α | 6° | 8° | 7° |
| All Dimensions in mm | | | |

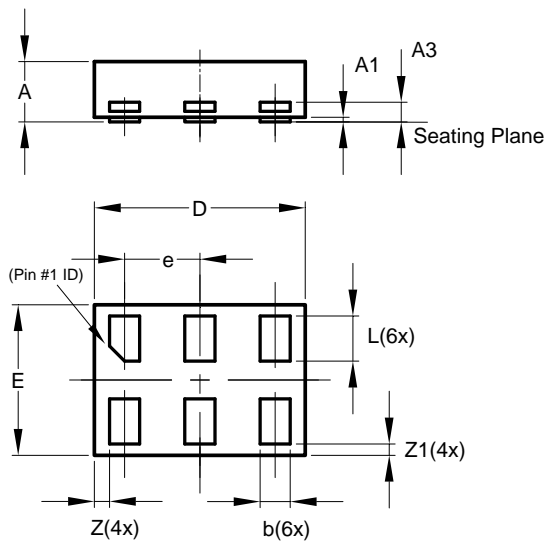
Package Outline Dimensions (cont.)

(4) Package Type X2-DFN1010-6



| X2-DFN1010-6 | | | |
|----------------------|------|------|-------|
| Dim | Min | Max | Typ |
| A | — | 0.40 | 0.39 |
| A1 | 0.00 | 0.05 | 0.02 |
| A3 | — | — | 0.13 |
| b | 0.14 | 0.20 | 0.17 |
| b1 | 0.05 | 0.15 | 0.10 |
| D | 0.95 | 1.05 | 1.00 |
| E | 0.95 | 1.05 | 1.00 |
| e | — | — | 0.35 |
| L | 0.35 | 0.45 | 0.40 |
| K | 0.15 | — | — |
| Z | — | — | 0.065 |
| All Dimensions in mm | | | |

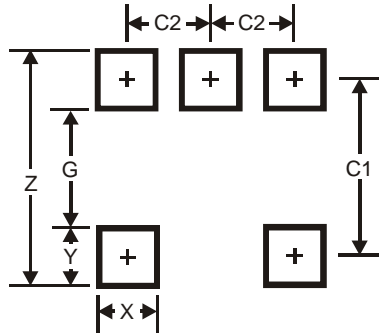
(5) Package Type: X2-DFN1410-6



| X2-DFN1410-6 | | | |
|----------------------|-------|-------|-------|
| Dim | Min | Max | Typ |
| A | — | 0.40 | 0.39 |
| A1 | 0.00 | 0.05 | 0.02 |
| A3 | — | — | 0.13 |
| b | 0.15 | 0.25 | 0.20 |
| D | 1.35 | 1.45 | 1.40 |
| E | 0.95 | 1.05 | 1.00 |
| e | — | — | 0.50 |
| L | 0.25 | 0.35 | 0.30 |
| Z | — | — | 0.10 |
| Z1 | 0.045 | 0.105 | 0.075 |
| All Dimensions in mm | | | |

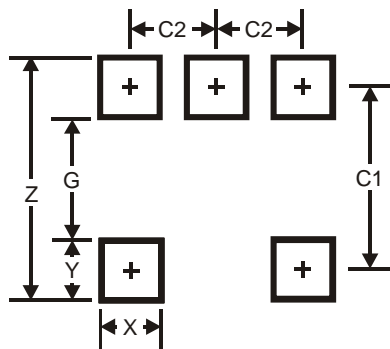
Suggested Pad Layout

(1) Package Type: SOT25



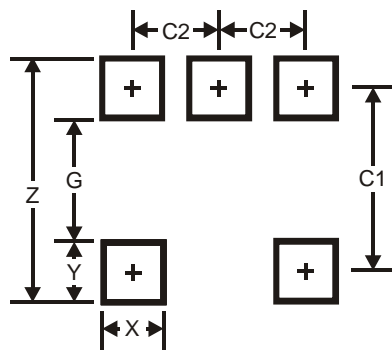
| Dimensions | Value (in mm) |
|------------|---------------|
| Z | 3.20 |
| G | 1.60 |
| X | 0.55 |
| Y | 0.80 |
| C1 | 2.40 |
| C2 | 0.95 |

(2) Package Type: SOT353



| Dimensions | Value (in mm) |
|------------|---------------|
| Z | 2.5 |
| G | 1.3 |
| X | 0.42 |
| Y | 0.6 |
| C1 | 1.9 |
| C2 | 0.65 |

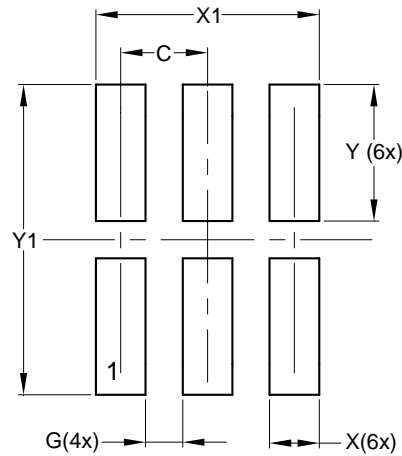
(3) Package Type: SOT553



| Dimensions | Value (in mm) |
|------------|---------------|
| Z | 2.2 |
| G | 1.2 |
| X | 0.375 |
| Y | 0.5 |
| C1 | 1.7 |
| C2 | 0.5 |

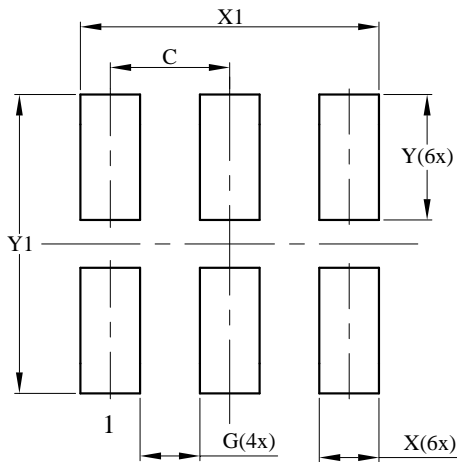
Suggested Pad Layout (cont.)

(4) Package Type X2-DFN1010-6



| Dimensions | Value (in mm) |
|------------|---------------|
| C | 0.350 |
| G | 0.150 |
| X | 0.200 |
| X1 | 0.900 |
| Y | 0.550 |
| Y1 | 1.250 |

(5) Package Type: X2-DFN1410-6



| Dimensions | Value (in mm) |
|------------|---------------|
| C | 0.500 |
| G | 0.250 |
| X | 0.250 |
| X1 | 1.250 |
| Y | 0.525 |
| Y1 | 1.250 |

IMPORTANT NOTICE

DIODES INCORPORATED MAKES NO WARRANTY OF ANY KIND, EXPRESS OR IMPLIED, WITH REGARDS TO THIS DOCUMENT, INCLUDING, BUT NOT LIMITED TO, THE IMPLIED WARRANTIES OF MERCHANTABILITY AND FITNESS FOR A PARTICULAR PURPOSE (AND THEIR EQUIVALENTS UNDER THE LAWS OF ANY JURISDICTION).

Diodes Incorporated and its subsidiaries reserve the right to make modifications, enhancements, improvements, corrections or other changes without further notice to this document and any product described herein. Diodes Incorporated does not assume any liability arising out of the application or use of this document or any product described herein; neither does Diodes Incorporated convey any license under its patent or trademark rights, nor the rights of others. Any Customer or user of this document or products described herein in such applications shall assume all risks of such use and will agree to hold Diodes Incorporated and all the companies whose products are represented on Diodes Incorporated website, harmless against all damages.

Diodes Incorporated does not warrant or accept any liability whatsoever in respect of any products purchased through unauthorized sales channel.

Should Customers purchase or use Diodes Incorporated products for any unintended or unauthorized application, Customers shall indemnify and hold Diodes Incorporated and its representatives harmless against all claims, damages, expenses, and attorney fees arising out of, directly or indirectly, any claim of personal injury or death associated with such unintended or unauthorized application.

Products described herein may be covered by one or more United States, international or foreign patents pending. Product names and markings noted herein may also be covered by one or more United States, international or foreign trademarks.

LIFE SUPPORT

Diodes Incorporated products are specifically not authorized for use as critical components in life support devices or systems without the express written approval of the Chief Executive Officer of Diodes Incorporated. As used herein:

A. Life support devices or systems are devices or systems which:

1. are intended to implant into the body, or
2. support or sustain life and whose failure to perform when properly used in accordance with instructions for use provided in the labeling can be reasonably expected to result in significant injury to the user.

B. A critical component is any component in a life support device or system whose failure to perform can be reasonably expected to cause the failure of the life support device or to affect its safety or effectiveness.

Customers represent that they have all necessary expertise in the safety and regulatory ramifications of their life support devices or systems, and acknowledge and agree that they are solely responsible for all legal, regulatory and safety-related requirements concerning their products and any use of Diodes Incorporated products in such safety-critical, life support devices or systems, notwithstanding any devices- or systems-related information or support that may be provided by Diodes Incorporated. Further, Customers must fully indemnify Diodes Incorporated and its representatives against any damages arising out of the use of Diodes Incorporated products in such safety-critical, life support devices or systems.

Copyright © 2012, Diodes Incorporated

www.diodes.com

Компания «Life Electronics» занимается поставками электронных компонентов импортного и отечественного производства от производителей и со складов крупных дистрибьюторов Европы, Америки и Азии.

С конца 2013 года компания активно расширяет линейку поставок компонентов по направлению коаксиальный кабель, кварцевые генераторы и конденсаторы (керамические, пленочные, электролитические), за счёт заключения дистрибьюторских договоров

Мы предлагаем:

- Конкуренспособные цены и скидки постоянным клиентам.
- Специальные условия для постоянных клиентов.
- Подбор аналогов.
- Поставку компонентов в любых объемах, удовлетворяющих вашим потребностям.
- Приемлемые сроки поставки, возможна ускоренная поставка.
- Доставку товара в любую точку России и стран СНГ.
- Комплексную поставку.
- Работу по проектам и поставку образцов.
- Формирование склада под заказчика.
- Сертификаты соответствия на поставляемую продукцию (по желанию клиента).
- Тестирование поставляемой продукции.
- Поставку компонентов, требующих военную и космическую приемку.
- Входной контроль качества.
- Наличие сертификата ISO.

В составе нашей компании организован Конструкторский отдел, призванный помогать разработчикам, и инженерам.

Конструкторский отдел помогает осуществить:

- Регистрацию проекта у производителя компонентов.
- Техническую поддержку проекта.
- Защиту от снятия компонента с производства.
- Оценку стоимости проекта по компонентам.
- Изготовление тестовой платы монтаж и пусконаладочные работы.



Тел: +7 (812) 336 43 04 (многоканальный)
Email: org@lifeelectronics.ru