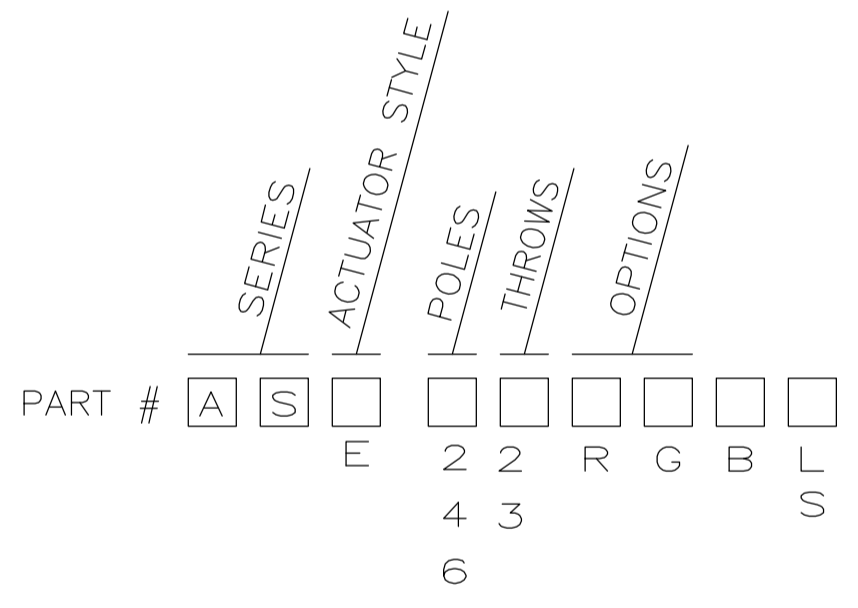
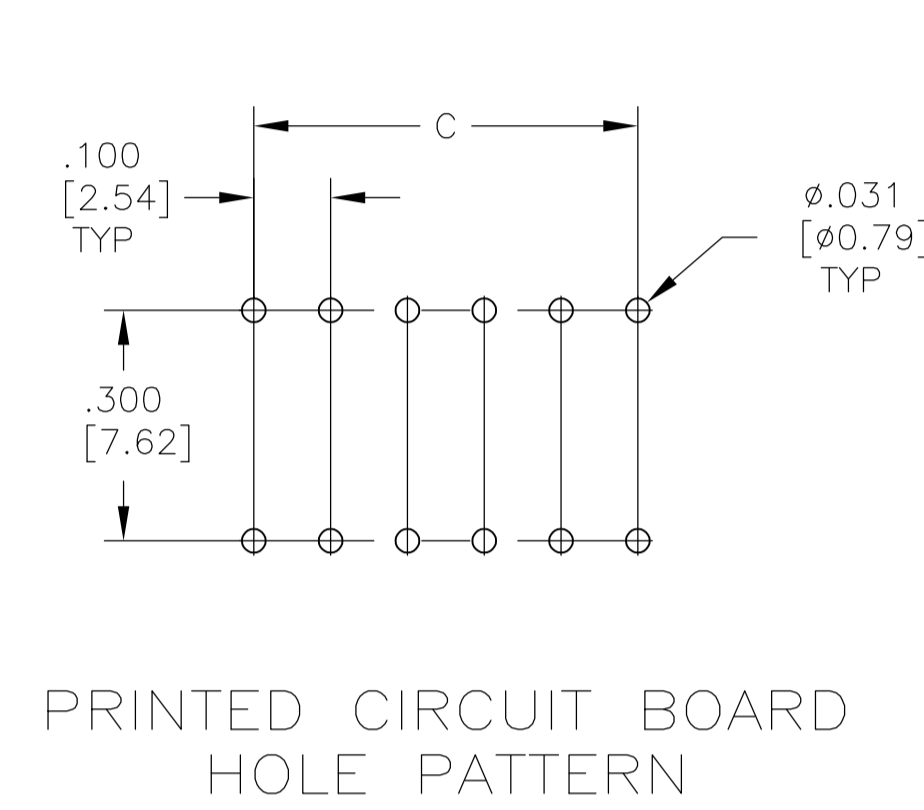
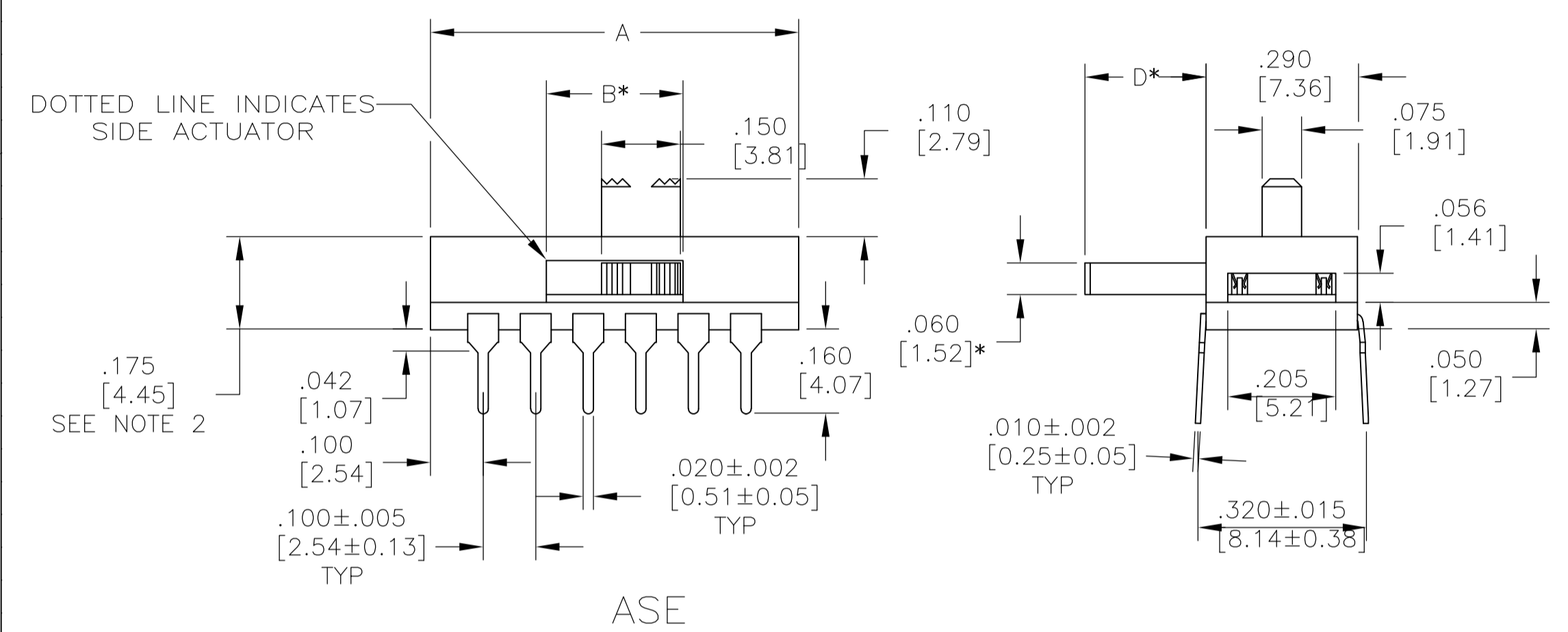
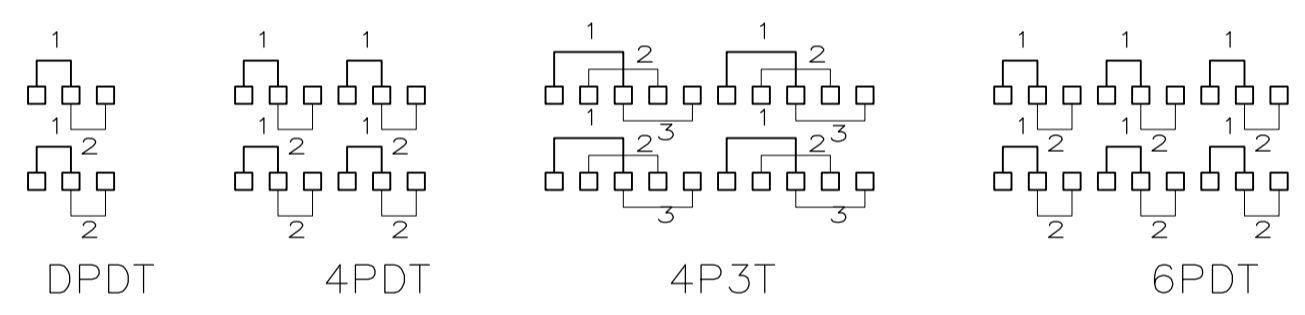


* SIDE ACTUATOR ONLY.



- E = EXTENDED ACTUATOR
- R = SIDE ACTUATOR
- G = GOLD CONTACTS
- B = BLACK ACTUATOR
- L = GULL WING STYLE SURFACE MOUNT
- S = J-LEAD STYLE SURFACE MOUNT



SPECIFICATIONS:

MATERIALS:
 BASE/COVER: PCT UL94V-0, BLACK.
 ACTUATOR: NYLON PA46 UL94V-0 NATURAL.
 MOVABLE CONTACT: COPPER ALLOY, SILVER OR GOLD OVER NICKEL.
 FIXED CONTACT/TERMINAL: COPPER ALLOY, SILVER OR GOLD OVER NICKEL.
 TERMINAL-COPPER ALLOY TIN OVER NICKEL.
 PACKAGING: 22" ANTI-STATIC TUBE.

ELECTRICAL:
 CONTACT RATING: SILVER: 300 MILLIAMPS @ 115 VAC.
 GOLD: 0.4 VA 20 VDC.
 CONTACT RESISTANCE: INITIAL 40 MILLIOHMS MAX.
 INSULATION RESISTANCE: 1000 MEGOHMS MAX.
 DIELECTRIC STRENGTH: 600 VOLTS RMS AT SEA LEVEL.
 LIFE EXPECTANCY: 15,000 CYCLES MIN.

ENVIRONMENTAL:
 OPERATING TEMPERATURE: -40°F TO +176°C TO +80°C).
 PROCESS CLEANING: WILL WITHSTAND AQUEOUS OR SOLVENT CLEANING PROCESSES.
 SOLDER HEAT RESISTANCE PER 109-202, COND B (THRU-HOLE) & 109-201, COND B (SMT)
 SOLDERABILITY PER EIA 364-52 CLASS 2 CATEGORY 1

NOTES:
 1. ALL MATERIAL AND FINISHES SHALL COMPLY WITH EU DIRECTIVE 2002/95/EC OF 27JAN2003 (ROHS)
 STANDARD PRODUCT (AFTER WELD) HEIGHT IS ALLOWED UP TO .180 IN. ALL SWITCH "SPECIAL" MUST MAINTAIN .178 MAX. (AFTER WELD) HEIGHT

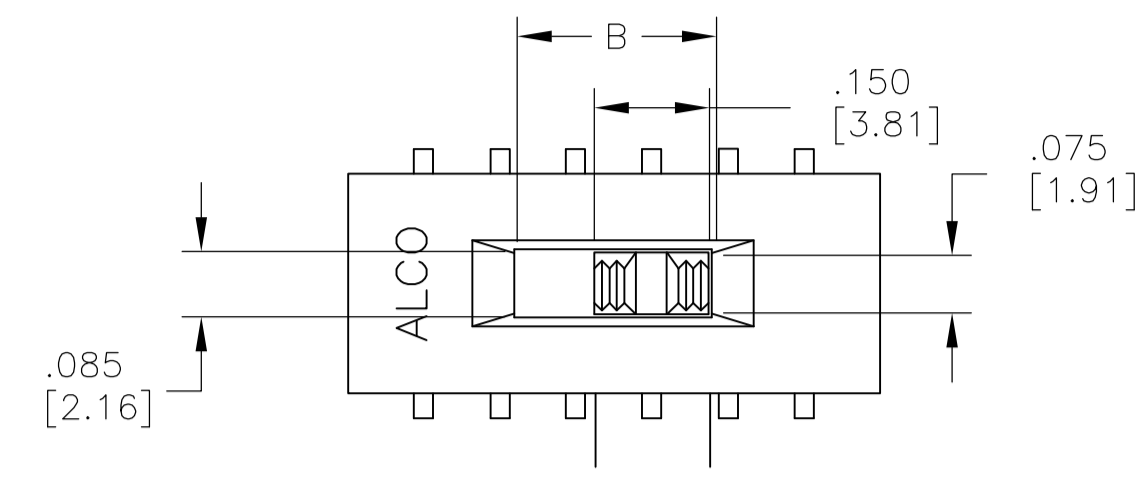
| | | | | | | | | | |
|--------------|---------------|--------------|---------------|--------|-----------|------|------|------------|-------------|
| 0.230 [5.82] | 0.800 [20.32] | 0.260 [6.60] | 1.000 [25.40] | SILVER | SMT | SIDE | 6PDT | ASE62RS04 | 4-1825010-8 |
| 0.230 [5.82] | 0.800 [20.32] | 0.260 [6.60] | 1.000 [25.40] | GOLD | SMT | SIDE | 6PDT | ASE62RGS04 | 4-1825010-7 |
| 0.230 [5.82] | 0.800 [20.32] | 0.260 [6.60] | 1.000 [25.40] | SILVER | SMT | SIDE | 6PDT | ASE62RL04 | 4-1825010-6 |
| 0.230 [5.82] | 0.800 [20.32] | 0.260 [6.60] | 1.000 [25.40] | GOLD | SMT | SIDE | 6PDT | ASE62RGL04 | 4-1825010-5 |
| 0.230 [5.82] | 0.800 [20.32] | 0.260 [6.60] | 1.000 [25.40] | SILVER | SMT | TOP | 6PDT | ASE62S04 | 4-1825010-4 |
| 0.230 [5.82] | 0.800 [20.32] | 0.260 [6.60] | 1.000 [25.40] | GOLD | SMT | TOP | 6PDT | ASE62GS04 | 4-1825010-3 |
| 0.230 [5.82] | 0.800 [20.32] | 0.260 [6.60] | 1.000 [25.40] | SILVER | SMT | TOP | 6PDT | ASE62L04 | 4-1825010-2 |
| 0.230 [5.82] | 0.800 [20.32] | 0.260 [6.60] | 1.000 [25.40] | GOLD | SMT | TOP | 6PDT | ASE62GL04 | 4-1825010-1 |
| 0.230 [5.82] | 0.800 [20.32] | 0.260 [6.60] | 1.000 [25.40] | GOLD | THRU-HOLE | SIDE | 6PDT | ASE62RG04 | 4-1825010-0 |
| 0.230 [5.82] | 0.800 [20.32] | 0.260 [6.60] | 1.000 [25.40] | SILVER | THRU-HOLE | SIDE | 6PDT | ASE62R04 | 3-1825010-9 |
| 0.230 [5.82] | 0.800 [20.32] | 0.260 [6.60] | 1.000 [25.40] | GOLD | THRU-HOLE | TOP | 6PDT | ASE62G04 | 3-1825010-8 |
| 0.230 [5.82] | 0.800 [20.32] | 0.260 [6.60] | 1.000 [25.40] | SILVER | THRU-HOLE | TOP | 6PDT | ASE6204 | 3-1825010-7 |
| 0.230 [5.82] | 0.900 [22.86] | 0.360 [9.14] | 1.100 [27.94] | SILVER | SMT | SIDE | 4P3T | ASE43RS04 | 3-1825010-6 |
| 0.230 [5.82] | 0.900 [22.86] | 0.360 [9.14] | 1.100 [27.94] | GOLD | SMT | SIDE | 4P3T | ASE43RGS04 | 3-1825010-5 |
| 0.230 [5.82] | 0.900 [22.86] | 0.360 [9.14] | 1.100 [27.94] | SILVER | SMT | SIDE | 4P3T | ASE43RL04 | 3-1825010-4 |
| 0.230 [5.82] | 0.900 [22.86] | 0.360 [9.14] | 1.100 [27.94] | GOLD | SMT | SIDE | 4P3T | ASE43RGL04 | 3-1825010-3 |
| 0.230 [5.82] | 0.900 [22.86] | 0.360 [9.14] | 1.100 [27.94] | SILVER | SMT | TOP | 4P3T | ASE43S04 | 3-1825010-2 |
| 0.230 [5.82] | 0.900 [22.86] | 0.360 [9.14] | 1.100 [27.94] | GOLD | SMT | TOP | 4P3T | ASE43GS04 | 3-1825010-1 |
| 0.230 [5.82] | 0.900 [22.86] | 0.360 [9.14] | 1.100 [27.94] | SILVER | SMT | TOP | 4P3T | ASE43L04 | 3-1825010-0 |
| 0.230 [5.82] | 0.900 [22.86] | 0.360 [9.14] | 1.100 [27.94] | GOLD | SMT | TOP | 4P3T | ASE43GL04 | 2-1825010-9 |
| 0.230 [5.82] | 0.900 [22.86] | 0.360 [9.14] | 1.100 [27.94] | GOLD | THRU-HOLE | SIDE | 4P3T | ASE43RG04 | 2-1825010-8 |
| 0.230 [5.82] | 0.900 [22.86] | 0.360 [9.14] | 1.100 [27.94] | SILVER | THRU-HOLE | SIDE | 4P3T | ASE43R04 | 2-1825010-7 |
| 0.230 [5.82] | 0.900 [22.86] | 0.360 [9.14] | 1.100 [27.94] | GOLD | THRU-HOLE | TOP | 4P3T | ASE43G04 | 2-1825010-6 |
| 0.230 [5.82] | 0.900 [22.86] | 0.360 [9.14] | 1.100 [27.94] | SILVER | THRU-HOLE | TOP | 4P3T | ASE4304 | 2-1825010-5 |
| 0.230 [5.82] | 0.500 [12.70] | 0.260 [6.60] | 0.700 [17.78] | SILVER | SMT | SIDE | 4PDT | ASE42RS04 | 2-1825010-4 |
| 0.230 [5.82] | 0.500 [12.70] | 0.260 [6.60] | 0.700 [17.78] | GOLD | SMT | SIDE | 4PDT | ASE42RGS04 | 2-1825010-3 |
| 0.230 [5.82] | 0.500 [12.70] | 0.260 [6.60] | 0.700 [17.78] | SILVER | SMT | SIDE | 4PDT | ASE42RL04 | 2-1825010-2 |
| 0.230 [5.82] | 0.500 [12.70] | 0.260 [6.60] | 0.700 [17.78] | GOLD | SMT | SIDE | 4PDT | ASE42RGL04 | 2-1825010-1 |
| 0.230 [5.82] | 0.500 [12.70] | 0.260 [6.60] | 0.700 [17.78] | SILVER | SMT | TOP | 4PDT | ASE42S04 | 2-1825010-0 |
| 0.230 [5.82] | 0.500 [12.70] | 0.260 [6.60] | 0.700 [17.78] | GOLD | SMT | TOP | 4PDT | ASE42GS04 | 1-1825010-9 |
| 0.230 [5.82] | 0.500 [12.70] | 0.260 [6.60] | 0.700 [17.78] | SILVER | SMT | TOP | 4PDT | ASE42L04 | 1-1825010-8 |
| 0.230 [5.82] | 0.500 [12.70] | 0.260 [6.60] | 0.700 [17.78] | GOLD | SMT | TOP | 4PDT | ASE42GL04 | 1-1825010-7 |
| 0.230 [5.82] | 0.500 [12.70] | 0.260 [6.60] | 0.700 [17.78] | GOLD | THRU-HOLE | SIDE | 4PDT | ASE42RG04 | 1-1825010-6 |
| 0.230 [5.82] | 0.500 [12.70] | 0.260 [6.60] | 0.700 [17.78] | SILVER | THRU-HOLE | SIDE | 4PDT | ASE42R04 | 1-1825010-5 |
| 0.230 [5.82] | 0.500 [12.70] | 0.260 [6.60] | 0.700 [17.78] | GOLD | THRU-HOLE | TOP | 4PDT | ASE42G04 | 1-1825010-4 |
| 0.230 [5.82] | 0.500 [12.70] | 0.260 [6.60] | 0.700 [17.78] | SILVER | THRU-HOLE | TOP | 4PDT | ASE4204 | 1-1825010-3 |
| 0.105 [2.67] | 0.200 [5.08] | 0.260 [6.60] | 0.400 [10.16] | SILVER | SMT | SIDE | DPDT | ASE22RS04 | 1-1825010-2 |
| 0.105 [2.67] | 0.200 [5.08] | 0.260 [6.60] | 0.400 [10.16] | GOLD | SMT | SIDE | DPDT | ASE22RGS04 | 1-1825010-1 |
| 0.105 [2.67] | 0.200 [5.08] | 0.260 [6.60] | 0.400 [10.16] | SILVER | SMT | SIDE | DPDT | ASE22RL04 | 1-1825010-0 |
| 0.105 [2.67] | 0.200 [5.08] | 0.260 [6.60] | 0.400 [10.16] | GOLD | SMT | SIDE | DPDT | ASE22RGL04 | 1825010-9 |
| 0.105 [2.67] | 0.200 [5.08] | 0.260 [6.60] | 0.400 [10.16] | SILVER | SMT | TOP | DPDT | ASE22S04 | 1825010-8 |
| 0.105 [2.67] | 0.200 [5.08] | 0.260 [6.60] | 0.400 [10.16] | GOLD | SMT | TOP | DPDT | ASE22GS04 | 1825010-7 |
| 0.105 [2.67] | 0.200 [5.08] | 0.260 [6.60] | 0.400 [10.16] | SILVER | SMT | TOP | DPDT | ASE22L04 | 1825010-6 |
| 0.105 [2.67] | 0.200 [5.08] | 0.260 [6.60] | 0.400 [10.16] | GOLD | SMT | TOP | DPDT | ASE22GL04 | 1825010-5 |
| 0.105 [2.67] | 0.200 [5.08] | 0.260 [6.60] | 0.400 [10.16] | GOLD | THRU-HOLE | SIDE | DPDT | ASE22RG04 | 1825010-4 |
| 0.105 [2.67] | 0.200 [5.08] | 0.260 [6.60] | 0.400 [10.16] | SILVER | THRU-HOLE | SIDE | DPDT | ASE22R04 | 1825010-3 |
| 0.105 [2.67] | 0.200 [5.08] | 0.260 [6.60] | 0.400 [10.16] | GOLD | THRU-HOLE | TOP | DPDT | ASE22G04 | 1825010-2 |
| 0.105 [2.67] | 0.200 [5.08] | 0.260 [6.60] | 0.400 [10.16] | SILVER | THRU-HOLE | TOP | DPDT | ASE2204 | 1825010-1 |

THIS DRAWING IS A CONTROLLED DOCUMENT. DIN B.S.VISWESWARA 15FEB05. M.S.SARVER 15FEB05. M.S.SARVER 15FEB05. M.S.SARVER 15FEB05.

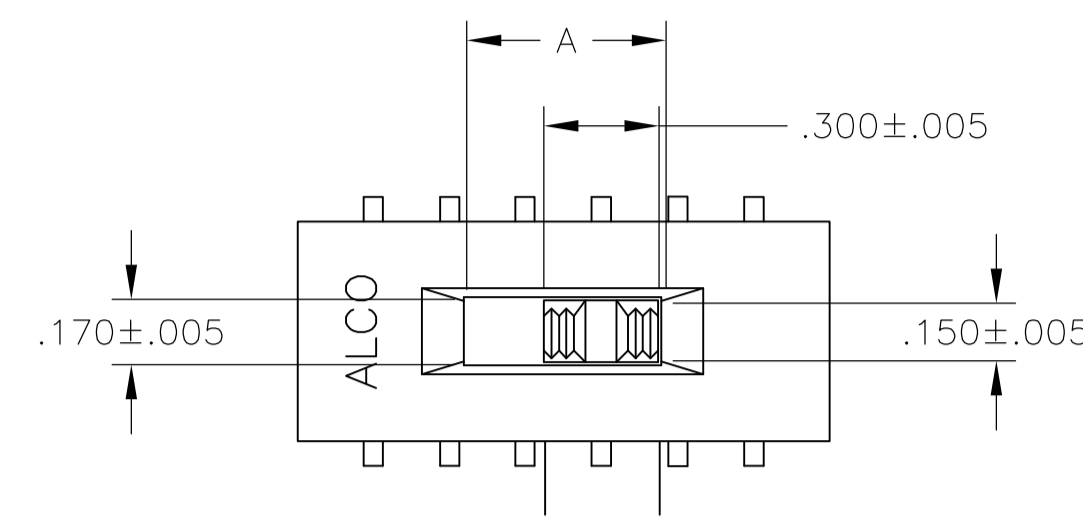
STC TE Connectivity

SLIDE SWITCH ASE/ASF, AUTO-INSERTABLE, THRU-HOLE AND SURFACE MOUNT

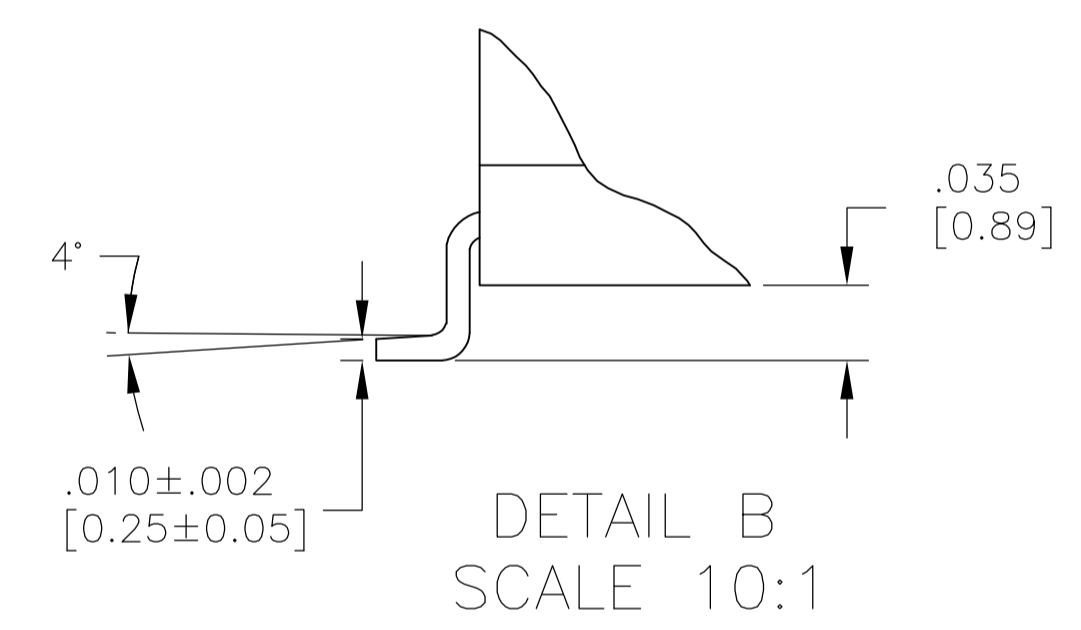
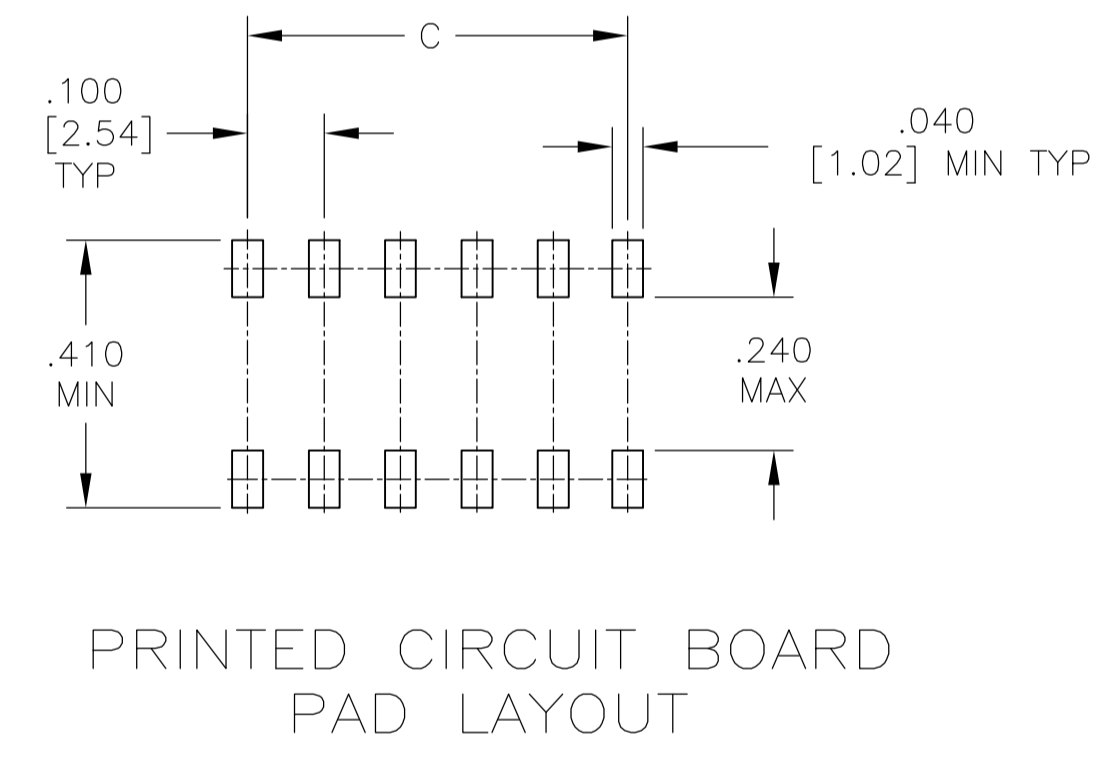
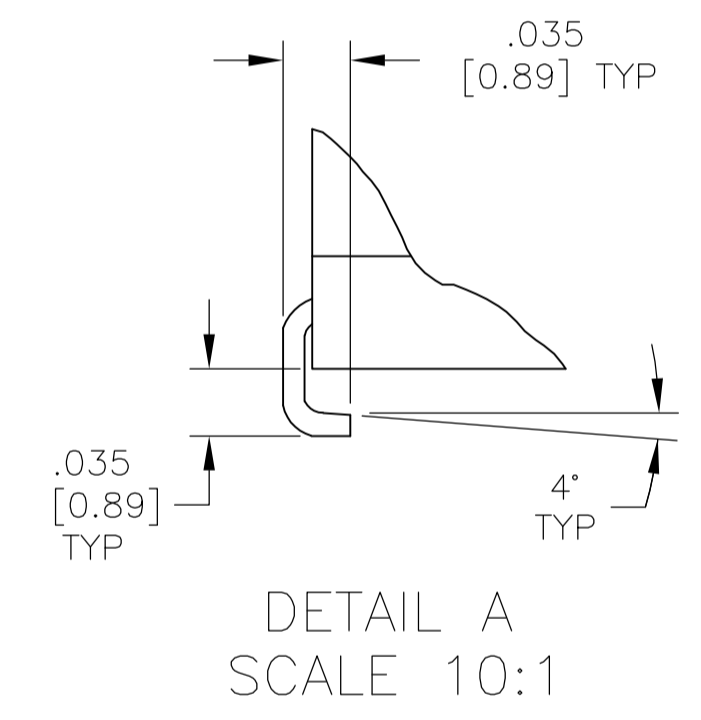
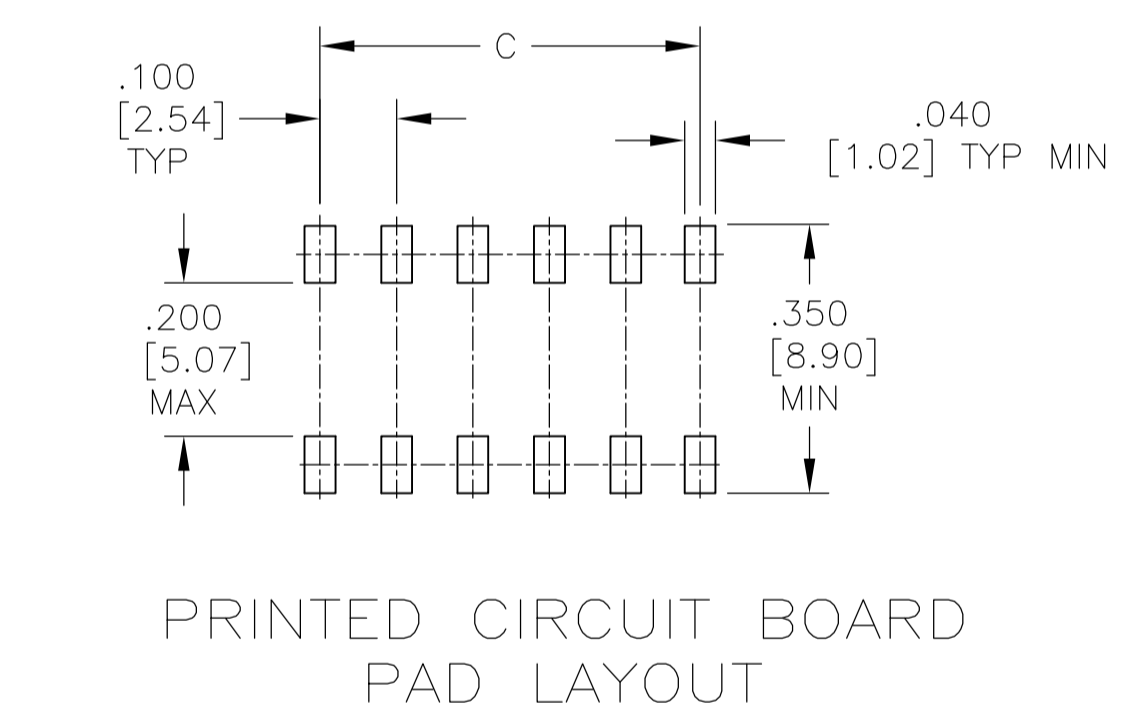
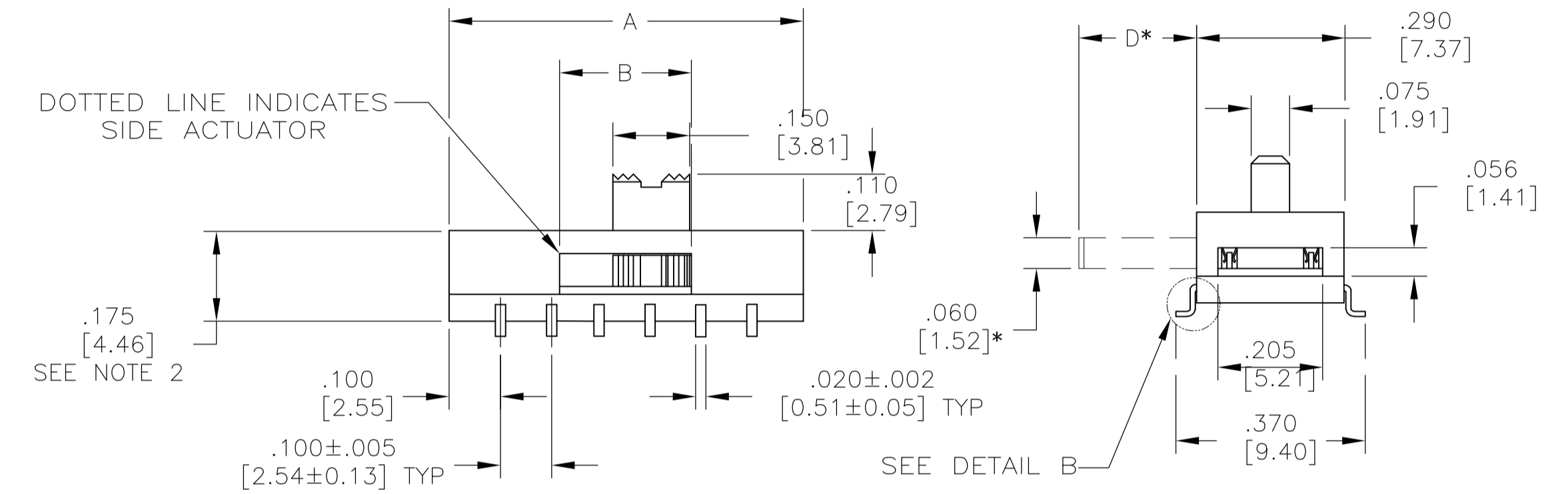
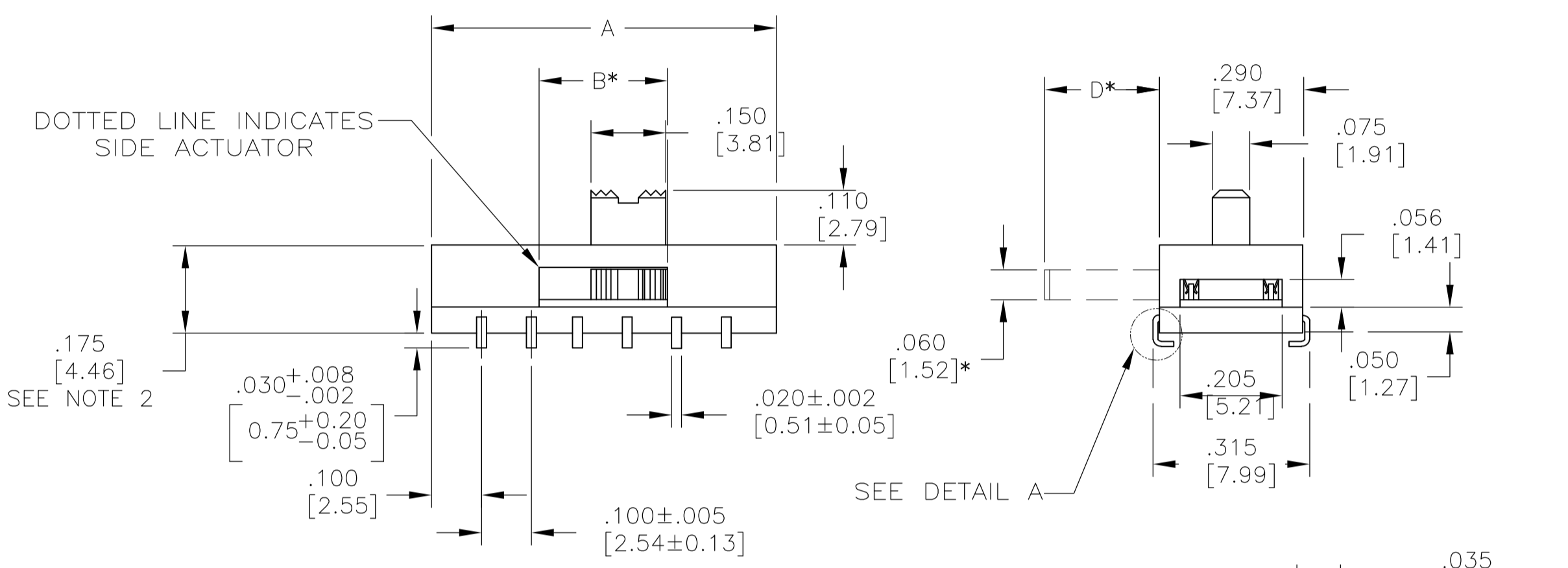
SIZE: A1 00779 ©=1825010. SCALE: 4:1. SHEET: 1 OF 2. REV: B4.



* SIDE ACTUATOR ONLY.



* SIDE ACTUATOR ONLY.



"S" J-LEAD TYPE SURFACE MOUNT

"L" GULL WING TYPE SURFACE MOUNT

| | | | | |
|--|--|----------------------------------|--------------------|--|
| THIS DRAWING IS A CONTROLLED DOCUMENT. | | DWN B.S.VISWESWARA 15FEB05 | TE Connectivity | |
| DIMENSIONS: INCHES [mm] | | CHK M.S.SARVER 15FEB05 | NAME M.S.SARVER | |
| TOLERANCES UNLESS OTHERWISE SPECIFIED: | | APPRO M.S.SARVER 15FEB05 | PRODUCT SPEC | |
| 0. PLC ± - | | APPLICATION SPEC | | |
| 1. PLC ± - | | RESTRICTED TO | | |
| 2. PLC ± - | | SIZE CAGE CODE DRAWING NO | | |
| 3. PLC ± .010 | | A1 00779 1825010 | | |
| 4. PLC ± - | | SCALE SHEET OF REV | | |
| ANGLES ± 1° | | 4:1 2 OF 2 B4 | | |
| FINISH SEE SHEET 1 | | CUSTOMER DRAWING | | |

Компания «Life Electronics» занимается поставками электронных компонентов импортного и отечественного производства от производителей и со складов крупных дистрибьюторов Европы, Америки и Азии.

С конца 2013 года компания активно расширяет линейку поставок компонентов по направлению коаксиальный кабель, кварцевые генераторы и конденсаторы (керамические, пленочные, электролитические), за счёт заключения дистрибьюторских договоров

Мы предлагаем:

- Конкурентоспособные цены и скидки постоянным клиентам.
- Специальные условия для постоянных клиентов.
- Подбор аналогов.
- Поставку компонентов в любых объемах, удовлетворяющих вашим потребностям.
- Приемлемые сроки поставки, возможна ускоренная поставка.
- Доставку товара в любую точку России и стран СНГ.
- Комплексную поставку.
- Работу по проектам и поставку образцов.
- Формирование склада под заказчика.
- Сертификаты соответствия на поставляемую продукцию (по желанию клиента).
- Тестирование поставляемой продукции.
- Поставку компонентов, требующих военную и космическую приемку.
- Входной контроль качества.
- Наличие сертификата ISO.

В составе нашей компании организован Конструкторский отдел, призванный помогать разработчикам, и инженерам.

Конструкторский отдел помогает осуществить:

- Регистрацию проекта у производителя компонентов.
- Техническую поддержку проекта.
- Защиту от снятия компонента с производства.
- Оценку стоимости проекта по компонентам.
- Изготовление тестовой платы монтаж и пусконаладочные работы.



Тел: +7 (812) 336 43 04 (многоканальный)

Email: org@lifeelectronics.ru