

THIS DRAWING IS UNPUBLISHED. RELEASED FOR PUBLICATION
 © COPYRIGHT - By - ALL RIGHTS RESERVED.

REVISIONS				
P	LTR	DESCRIPTION	DATE	APVD
T5		PART STATUS UPDATED	22JAN2018	RK PS

PHYSICAL PROPERTIES:
 HOUSING MATERIAL: PBT
 FLAMMABILITY: UL94V-0
 COLOR: BLACK
 MAX BOW/WARP: .0056 IN/IN.

MECHANICAL:
 PITCH (TERMINAL SPACING): .563"
 WIRE RANGE: 10-22 AWG
 RECOMMENDED TIGHTENING TORQUE: 14IN-LBS MAX.

TERMINAL:
 TERMINALS: BRASS, TIN PLATED. (UNLESS OTHERWISE STATED)
 SCREWS: 8-32 STEEL, NICKEL PLATED. (UNLESS OTHERWISE STATED)
 Q.C. TABS: BRASS, NICKEL PLATED.

ELECTRICAL PROPERTIES:
 MAXIMUM CURRENT: 30A
 OPERATING VOLTAGE: 300V

ENVIRONMENTAL PROPERTIES:
 OPERATING TEMP RANGE: -40°C TO 120°C

- △ STAINLESS STEEL SCREWS.
- △ WHITE INK STAMP.
- △ NICKEL PLATED BRASS TERMINALS.
- △ NICKEL PLATED BRASS SCREWS.
- △ SEE FIGURE.
- △ PRELIMINARY PART NUMBER.
- △ OBSOLETE PART NUMBER.
- △ TE CONNECTIVITY LOGO LOCATED APPROXIMATE AREA SHOWN.

△6/5	-	-	-	-	-	-	-	-	-	-	7.886	8.323	13	1-1546310-3
△2/7	-	-	-	-	-	-	-	12	12	12	7.323	7.760	12	4-1546310-8
△	-	8	-	-	-	12	12	12	-	-	7.323	7.760	12	4-1546310-7
△	-	-	-	-	-	12	12	12	-	-	7.323	7.760	12	4-1546310-6
△	-	-	-	-	-	-	-	-	-	-	7.323	7.760	12	1-1546310-2
△	-	-	-	-	-	-	-	-	-	-	6.760	7.179	11	1-1546310-1
△	-	-	-	-	-	-	-	-	-	-	6.197	6.634	10	1-1546310-0
△	-	-	-	-	-	-	-	-	-	-	5.634	6.071	9	1546310-9
△4/7	-	-	-	-	-	-	-	-	-	-	5.071	5.508	8	4-1546310-5
△	-	8	8	-	-	-	-	-	-	-	5.071	5.508	8	2-1546310-9
△	-	-	-	-	-	-	-	-	-	-	5.071	5.508	8	1546310-8
△	-	-	-	-	-	-	-	7	-	-	4.508	4.945	7	3-1546310-8
△	-	-	-	-	-	-	-	-	-	-	4.508	4.945	7	1546310-7
△4/7	-	-	-	-	-	-	-	-	-	-	3.945	4.382	6	4-1546310-4
△4/7	-	-	-	-	-	-	-	-	-	-	3.945	4.382	6	4-1546310-3
△	-	-	-	-	-	-	-	-	-	-	3.945	4.382	6	4-1546310-2
△5/3/2/1/7	-	-	-	-	-	-	-	-	-	-	3.945	4.382	6	3-1546310-1
△	-	-	-	-	-	-	-	6	-	-	3.945	4.382	6	3-1546310-0
△	-	6	6	-	-	-	-	-	-	-	3.945	4.382	6	2-1546310-8
△5/4/3/7	-	1	1	-	-	5	1	-	-	-	3.945	4.382	6	2-1546310-6
△1/7	-	-	-	-	-	-	-	6	-	-	3.945	4.382	6	2-1546310-3
△1/7	-	-	-	-	-	-	-	-	-	-	3.945	4.382	6	2-1546310-2
△7	-	-	-	-	-	-	-	-	-	6	3.945	4.382	6	2-1546310-1
△5/2/7	-	-	-	-	-	-	-	-	-	6	3.945	4.382	6	1546636-1
△6/1	-	-	-	6	-	-	-	-	6	-	3.945	4.382	6	1-1546310-9
△1	-	-	-	6	-	-	-	-	-	-	3.945	4.382	6	1546589-1
△	-	-	-	-	-	-	-	-	-	-	3.945	4.382	6	1546310-6
△	-	-	-	-	-	-	-	5	-	-	3.382	3.819	5	3-1546310-7
△5/4/3/7	-	1	1	-	-	-	-	-	-	5	3.382	3.819	5	2-1546310-7
△	-	-	-	-	-	-	-	-	-	-	3.382	3.819	5	1546310-5
△2/6	-	-	-	-	-	-	-	-	4	4	2.819	3.256	4	5-1546310-0
△5/4/3/2/7	-	-	-	-	-	-	-	-	-	-	2.819	3.256	4	4-1546310-1
△4/4	-	-	-	-	-	-	-	-	-	-	2.819	3.256	4	4-1546310-0
△5/3/2/1/7	-	-	-	-	-	-	-	-	-	-	2.819	3.256	4	3-1546310-9
△	-	-	-	-	-	-	-	-	-	-	2.819	3.256	4	1546310-4
△4/3/7	-	-	-	-	-	-	-	-	-	-	2.256	2.693	3	2-1546310-5
△5/1/7	-	-	-	-	-	-	-	-	3	1	2.256	2.693	3	2-1546310-4
△6/5/1	-	-	-	1	2	-	-	-	1	-	2.256	2.693	3	2-1546310-0
△	-	-	-	-	-	-	-	-	-	-	2.256	2.693	3	1546310-3
△	-	-	-	-	-	-	-	2	-	-	1.693	2.130	2	5-1546310-1
△	-	-	-	-	-	-	-	-	-	-	1.693	2.130	2	1546310-2

NOTES (9) OTB JUMPER (8) .250 QC TAB 90° DOUBLE SIDE (7) .250 QC TAB 90°/45° DOUBLE SIDE (6) .250 QC TAB 90° DOUBLE SIDE (5) .250 QC TAB 45° DOUBLE SIDE (4) .250 QC TAB STRAIGHT DOUBLE SIDE (3) .250 QC TAB 90° SINGLE SIDE (2) .250 QC TAB 45° SINGLE SIDE (1) .250 QC TAB STRAIGHT SINGLE SIDE DIM B DIM A NO. OF POSN PART NUMBER

THIS DRAWING IS A CONTROLLED DOCUMENT.

DWN	S SCHLEGEL	16FEB2007
CHK	S YODER	2/16/07
APVD	S YODER	2/16/07
PRODUCT SPEC		
APPLICATION SPEC		
WEIGHT		

DIMENSIONS: INCHES

TOLERANCES UNLESS OTHERWISE SPECIFIED:

0 PLC	± -
1 PLC	± -
2 PLC	± -
3 PLC	± -
4 PLC	± -
ANGLES	± -

MATERIAL FINISH WEIGHT

CUSTOMER DRAWING

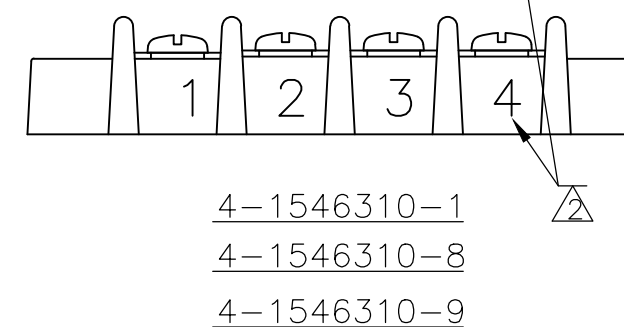
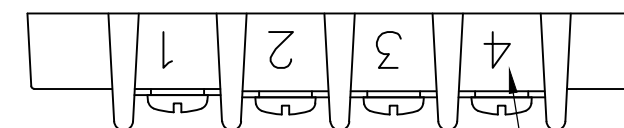
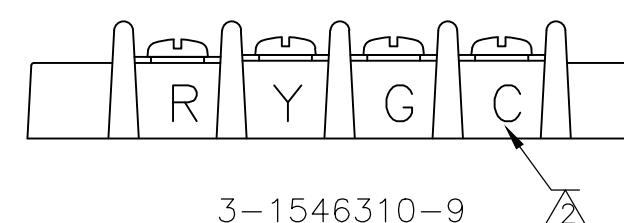
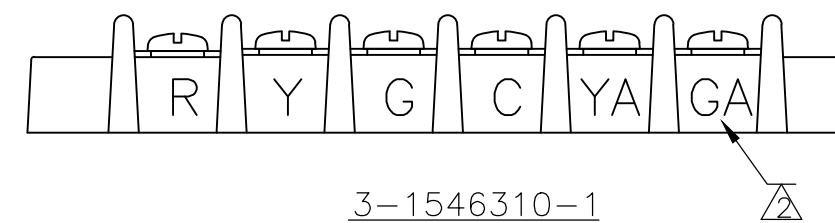
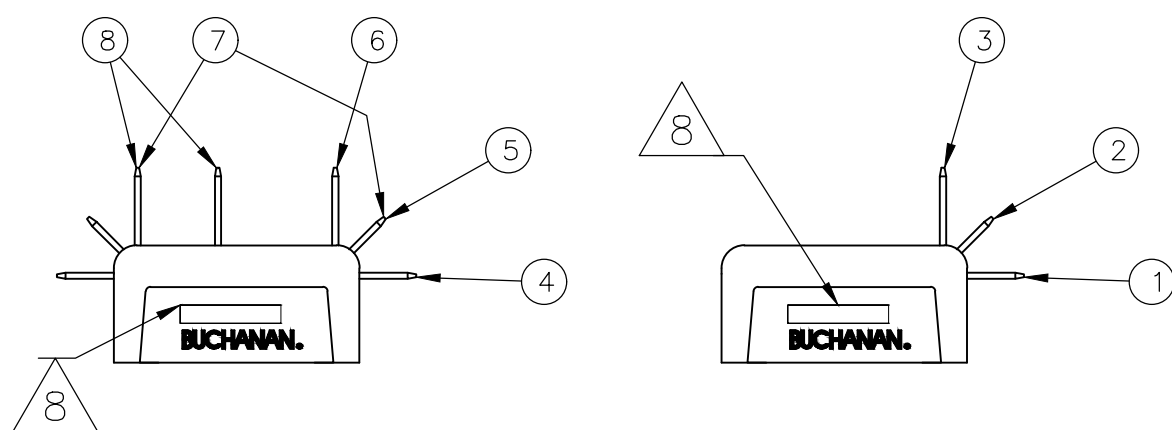
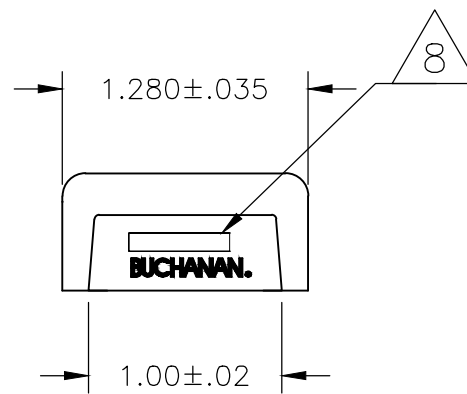
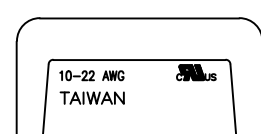
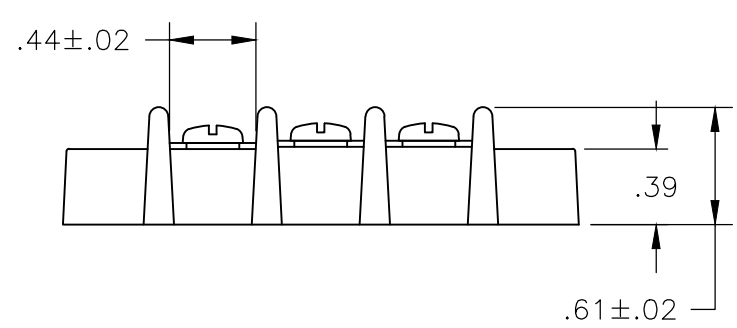
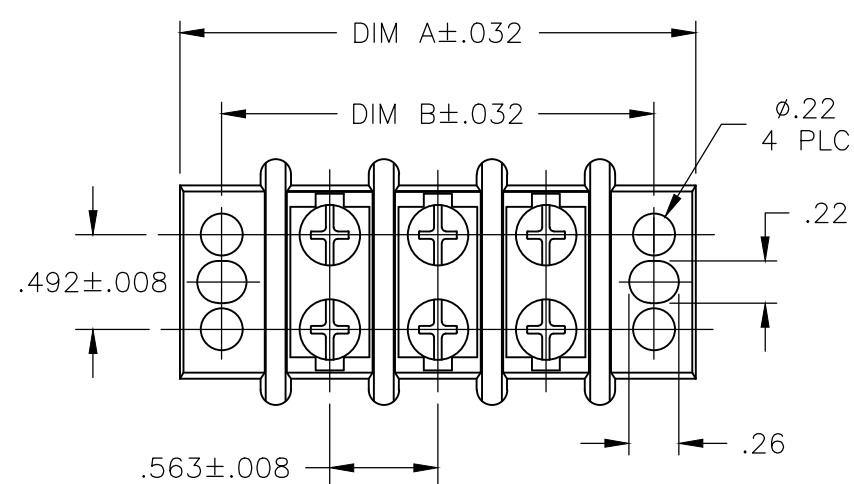
SCALE NTS SHEET 1 OF 4 REV T5

TE Connectivity Ltd. 14.3 (.563) DBL ROW BARRIER STRIP W/O WASHER

SIZE A2 CAGE CODE 00779 DRAWING NO C=1546310 RESTRICTED TO

THIS DRAWING IS UNPUBLISHED. RELEASED FOR PUBLICATION
 © COPYRIGHT - By - ALL RIGHTS RESERVED.

REVISIONS				
P	LTR	DESCRIPTION	DATE	APVD
-	-	SEE SHEET 1	-	-



REV	DESCRIPTION	DATE	BY	CHK	APVD	QTY	POSN	DIM B	DIM A	NO. OF POSN	PART NUMBER
2						2		1.693	2.130		5-1546310-1
								10.701	11.138	18	1-1546310-8
								10.138	10.575	17	1-1546310-7
								9.575	10.012	16	1-1546310-6
								9.012	9.449	15	1-1546310-5
6						14	14	8.449	8.886	14	4-1546310-9
								8.449	8.886	14	1-1546310-4
NOTES: (9) OTB JUMPER (8) .250 QC TAB 90° DOUBLE SIDE (7) .250 QC TAB 90°/45° DOUBLE SIDE (6) .250 QC TAB 90° DOUBLE SIDE (5) .250 QC TAB 45° DOUBLE SIDE (4) .250 QC TAB STRAIGHT DOUBLE SIDE (3) .250 QC TAB 90° SINGLE SIDE (2) .250 QC TAB 45° SINGLE SIDE (1) .250 QC TAB STRAIGHT SINGLE SIDE											

THIS DRAWING IS A CONTROLLED DOCUMENT.

DIMENSIONS: INCHES

TOLERANCES UNLESS OTHERWISE SPECIFIED:

0 PLC	±	-
1 PLC	±	-
2 PLC	±	-
3 PLC	±	-
4 PLC	±	-
ANGLES	±	-

MATERIAL: - FINISH: -

APPROVALS:

DWN	S SCHLEGEL	16FEB2007
CHK	S YODER	2/16/07
APVD	S YODER	2/16/07

NAME: 14.3 (.563) DBL ROW BARRIER STRIP W/O WASHER

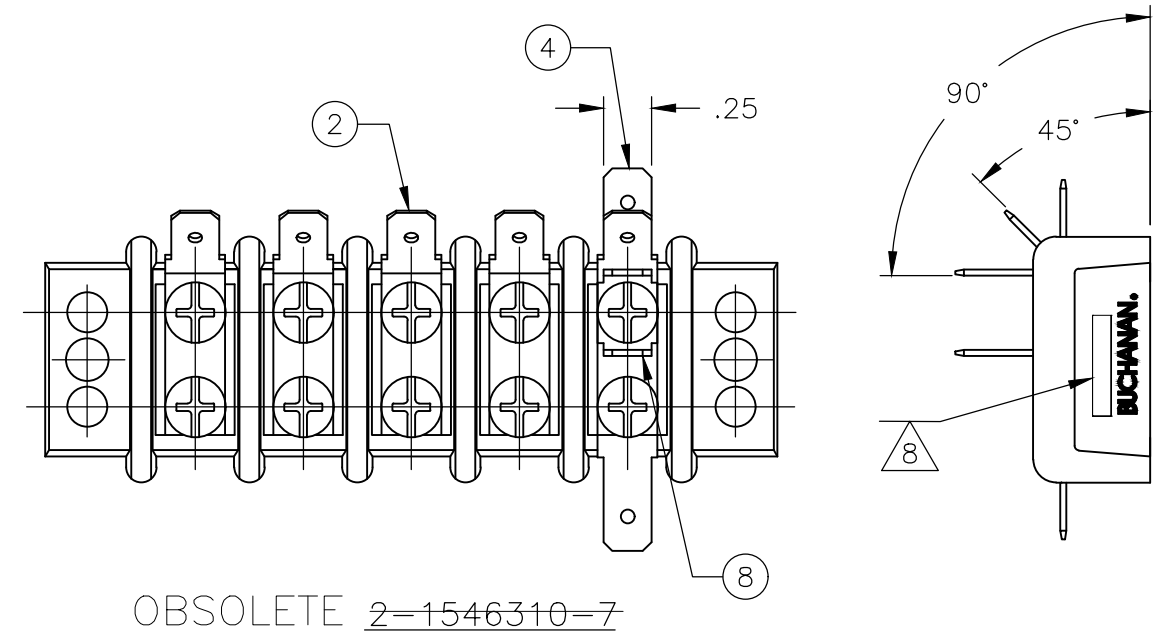
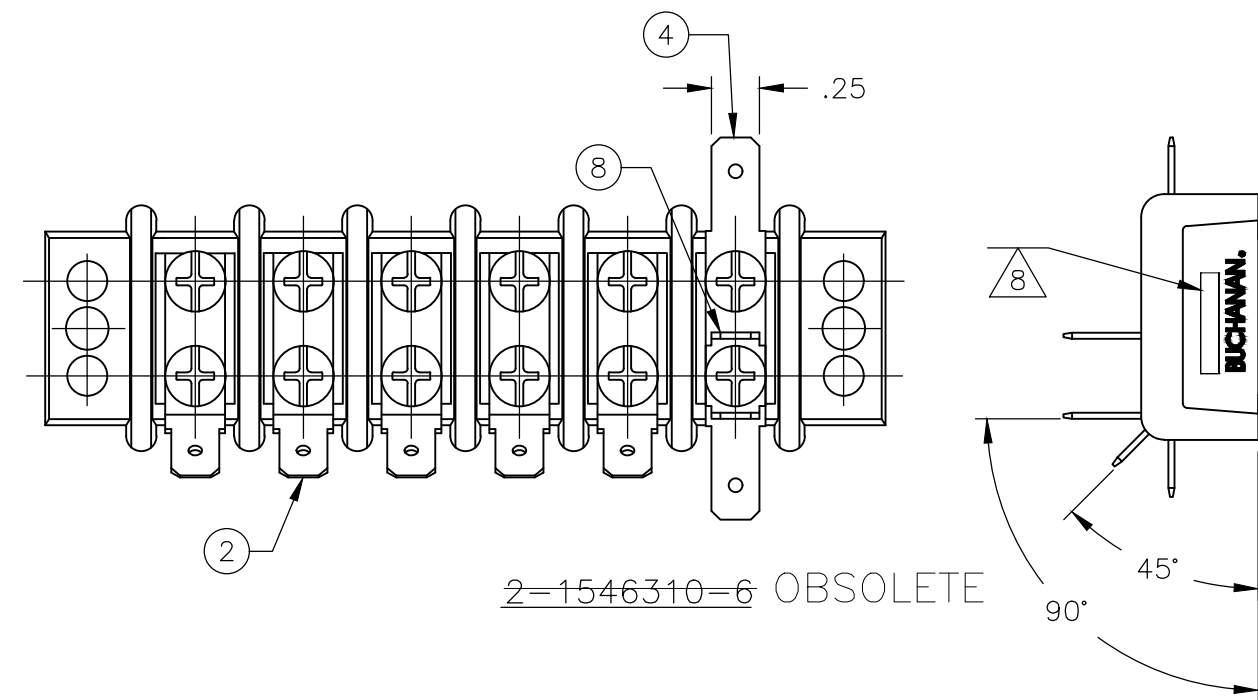
SIZE: A2 CAGE CODE: 00779 DRAWING NO: C=1546310 RESTRICTED TO: -

CUSTOMER DRAWING SCALE: NTS SHEET: 2 OF 4 REV: T5

1546310

THIS DRAWING IS UNPUBLISHED. RELEASED FOR PUBLICATION
 © COPYRIGHT - By - ALL RIGHTS RESERVED.

REVISIONS					
P	LTR	DESCRIPTION	DATE	DWN	APVD
-	-	SEE SHEET 1	-	-	-

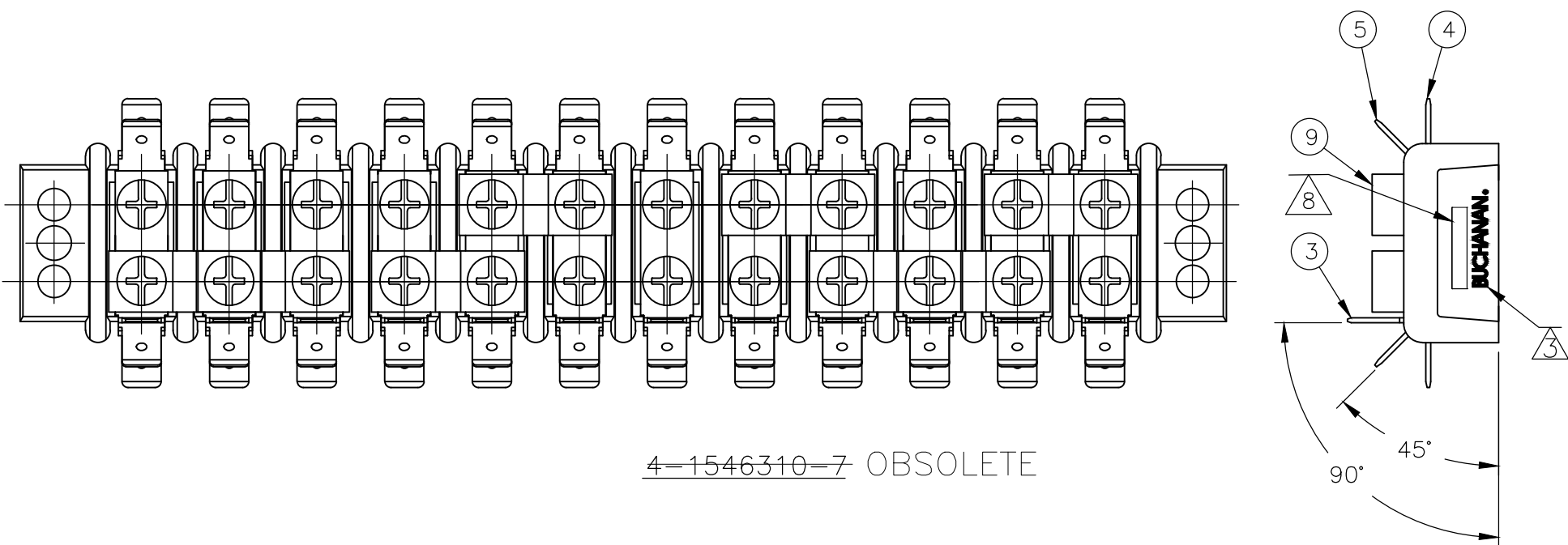


1546310

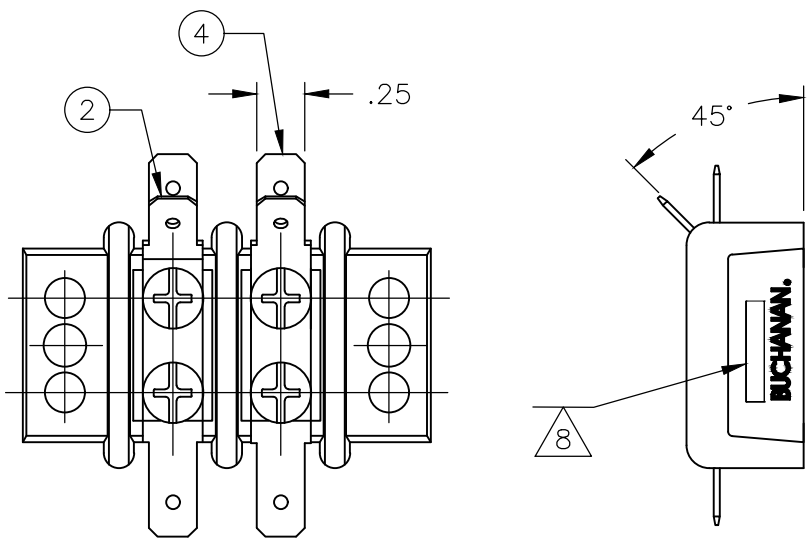
THIS DRAWING IS A CONTROLLED DOCUMENT.		DWN S SCHLEGEL 16FEB2007	TE Connectivity Ltd.	
DIMENSIONS: INCHES		CHK S YODER 2/16/07		
TOLERANCES UNLESS OTHERWISE SPECIFIED:		APVD S YODER 2/16/07	NAME 14.3 (.563) DBL ROW BARRIER STRIP W/O WASHER	
0 PLC ± - 1 PLC ± - 2 PLC ± - 3 PLC ± - 4 PLC ± - ANGLES ± -		PRODUCT SPEC -	SIZE A2	CAGE CODE 00779
MATERIAL -		FINISH -	DRAWING NO C=1546310	RESTRICTED TO -
CUSTOMER DRAWING		WEIGHT -	SCALE NTS	SHEET 3 OF 4
		REV T5		

THIS DRAWING IS UNPUBLISHED. RELEASED FOR PUBLICATION
 © COPYRIGHT - By - ALL RIGHTS RESERVED.

REVISIONS				
P	LTR	DESCRIPTION	DATE	APVD
-	-	SEE SHEET 1	-	-



4-1546310-7 OBSOLETE



5-1546310-1

THIS DRAWING IS A CONTROLLED DOCUMENT.		DWN S SCHLEGEL 16FEB2007	TE Connectivity Ltd.																			
DIMENSIONS: INCHES		CHK S YODER 2/16/07																				
TOLERANCES UNLESS OTHERWISE SPECIFIED:		APVD S YODER 2/16/07	NAME 14.3 (.563) DBL ROW BARRIER STRIP W/O WASHER																			
<table border="0"> <tr><td>0 PLC</td><td>±</td><td>-</td></tr> <tr><td>1 PLC</td><td>±</td><td>-</td></tr> <tr><td>2 PLC</td><td>±</td><td>-</td></tr> <tr><td>3 PLC</td><td>±</td><td>-</td></tr> <tr><td>4 PLC</td><td>±</td><td>-</td></tr> <tr><td>ANGLES</td><td>±</td><td>-</td></tr> </table>		0 PLC	±	-	1 PLC	±	-	2 PLC	±	-	3 PLC	±	-	4 PLC	±	-	ANGLES	±	-	PRODUCT SPEC -	SIZE A2	
0 PLC	±	-																				
1 PLC	±	-																				
2 PLC	±	-																				
3 PLC	±	-																				
4 PLC	±	-																				
ANGLES	±	-																				
MATERIAL -		APPLICATION SPEC -	CAGE CODE 00779	DRAWING NO C-1546310																		
FINISH -		WEIGHT -	SCALE NTS	SHEET 4 OF 4																		
CUSTOMER DRAWING			RESTRICTED TO -	REV T5																		

Компания «Life Electronics» занимается поставками электронных компонентов импортного и отечественного производства от производителей и со складов крупных дистрибьюторов Европы, Америки и Азии.

С конца 2013 года компания активно расширяет линейку поставок компонентов по направлению коаксиальный кабель, кварцевые генераторы и конденсаторы (керамические, пленочные, электролитические), за счёт заключения дистрибьюторских договоров

Мы предлагаем:

- Конкурентоспособные цены и скидки постоянным клиентам.
- Специальные условия для постоянных клиентов.
- Подбор аналогов.
- Поставку компонентов в любых объемах, удовлетворяющих вашим потребностям.
- Приемлемые сроки поставки, возможна ускоренная поставка.
- Доставку товара в любую точку России и стран СНГ.
- Комплексную поставку.
- Работу по проектам и поставку образцов.
- Формирование склада под заказчика.
- Сертификаты соответствия на поставляемую продукцию (по желанию клиента).
- Тестирование поставляемой продукции.
- Поставку компонентов, требующих военную и космическую приемку.
- Входной контроль качества.
- Наличие сертификата ISO.

В составе нашей компании организован Конструкторский отдел, призванный помогать разработчикам, и инженерам.

Конструкторский отдел помогает осуществить:

- Регистрацию проекта у производителя компонентов.
- Техническую поддержку проекта.
- Защиту от снятия компонента с производства.
- Оценку стоимости проекта по компонентам.
- Изготовление тестовой платы монтаж и пусконаладочные работы.



Тел: +7 (812) 336 43 04 (многоканальный)

Email: org@lifeelectronics.ru