

ZXLD383
SINGLE OR MULTI CELL LED DRIVER SOLUTION

Summary

The ZXLD383 is a single or multi cell LED driver designed for applications requiring step-up voltage conversion from a very low input voltage. The IC generates constant current pulses that are ideal for driving single or multiple LEDs over a wide range of operating voltages. It includes an on/off enable input that can be driven directly from a photocell array or an open collector/drain logic output. The enable input features an ultra-low voltage drop diode to ground, eliminating the need for a photocell array isolation diode in Garden Light applications.

The ZXLD383 uses a PFM control technique to drive an internal switching transistor which exhibits a low saturation resistance. This ensures high efficiency, even for input voltages as low as 1.0V.

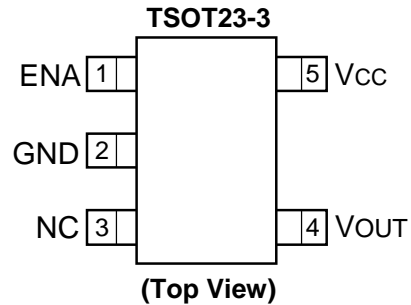
The IC can start up under full load and operates down to an input voltage of below 0.9V.

The ZXLD383 is offered in the space saving TSOT23-5 package or in die form, offering an excellent cost vs. performance solution for single cell LED driving applications.

Features

- 85% Efficiency
- User adjustable output current
- Single cell operation
- Low saturation voltage
- TSOT23-3 package
- Available also in die form
- Simple application circuit

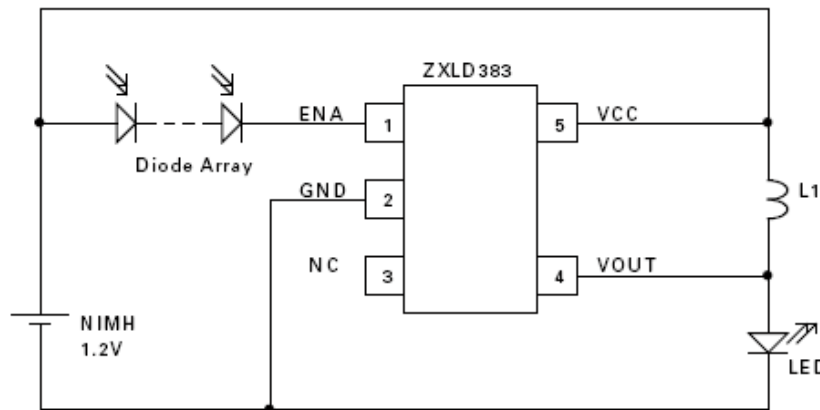
Pin Assignments



Application

- Garden lights
- Door/pathway illumination
- LED flashlight and torches
- LED backlights
- White LED driver
- Gated boost supply generator

Typical Application Circuit



Block Diagram

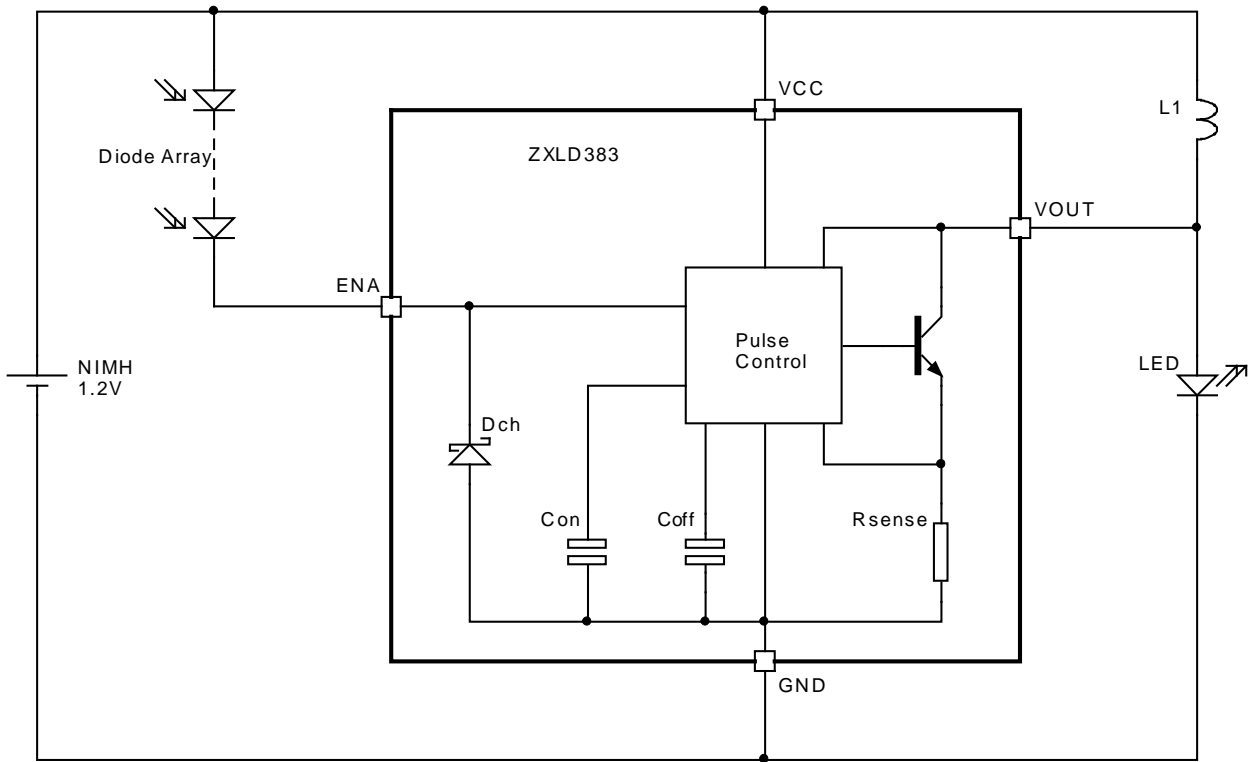


Fig 1. ZXLD383 Block Diagram

Pin Description

Pin No.	Name	Description
1	ENA	Enable / Photodiode array battery charge input
2	GND	Ground
3	NC	Not connected (internally open circuit)
4	V _{OUT}	Switch output external inductor/LED
5	V _{CC}	Supply voltage, generally Alkaline, NiMH or NiCd single cell

Absolute Maximum Ratings

Parameter	Rating	Unit
Supply Voltage (V_{CC})	-0.6 to 6	V
Output Voltage (V_{OUT})	-0.6 to 20	V
Enable Voltage (V_{ENA})	-1 to 3.5	V
Supply Current	20	mA
Output Switch Current	800	mA
Power Dissipation (TSOT23-3)	450	mW
Power Dissipation Die	1	W
Operating Temperature Range	-20 to 85	°C
Storage Temperature Range	-55 to 150	°C

Electrical Characteristics

Measured at $T_{AMB} = 25^{\circ}\text{C}$, $L = 6.8\mu\text{H}$, $I_{ENA} = 0$ and $V_{CC} = 1.5\text{V}$ unless otherwise specified.

Parameter	Conditions	Limits			Units
		Min	Typ.	Max	
Supply Voltage Operating Range	$L = 10\mu\text{H}$	0.9		3.3	V
Minimum Supply Start-up Voltage	$L = 10\mu\text{H}$		0.8	0.9	V
Supply Current Quiescent		2	4	8	mA
Supply Current Shutdown	$V_{ENA} = V_{CC} - 0.8\text{V}$		17	30	μA
Supply Current Under-Voltage	$V_{CC} = 0.6\text{V}$			20	μA
Switch Current	At turn-off	250	320	400	mA
Switch Saturation Voltage	$I_{OUT} = 200\text{mA}$		100	300	mV
Switch Leakage Current	$V_{OUT} = 20\text{V}$, $V_{ENA} = 0\text{V}$			10	μA
Mean LED Current	$V_{LED} = 3.5\text{V}$	40	50	65	mA
Efficiency	$V_{LED} = 3.5\text{V}$		85		%
Operating Frequency	$V_{LED} = 3.5\text{V}$		330		kHz
Discharge Pulse Width		0.7	1.5	2.5	μs
Enable Input Threshold		$V_{CC} - 0.8$	$V_{CC} - 0.6$	$V_{CC} - 0.2$	V
Enable Input Current	$V_{ENA} = 0.2\text{V}$	0	-11	-20	μA
Enable Input Voltage	$I_{ENA} = -20\text{mA}$	0	-90	-250	mV

Device Description

The ZXLD383 is a simple PFM, DC-DC controller combined with a high performance internal switching transistor, enabling the production of a high efficiency boost converter for use in single cell applications. It includes a dual function Enable input which serves both as an operation inhibit control and an ultra-low voltage drop isolation diode for battery charging purposes in Garden Light applications. A block diagram is shown for the ZXLD383 in Figure 1.

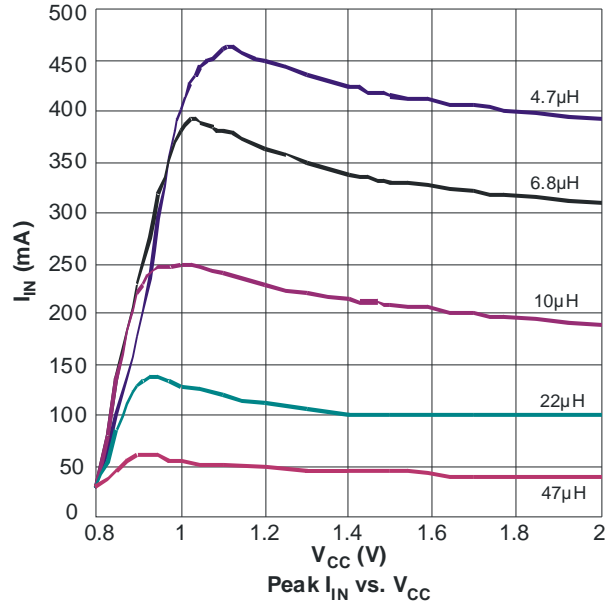
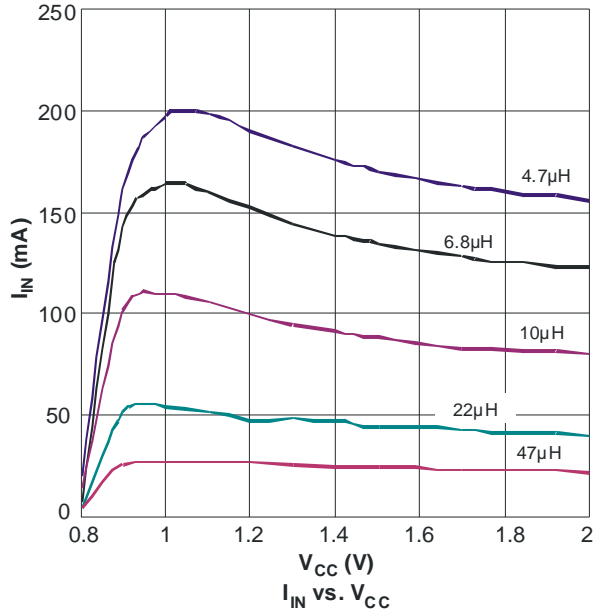
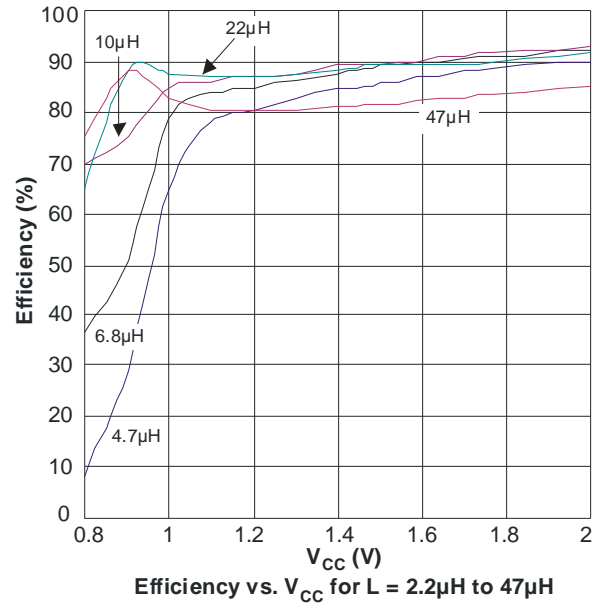
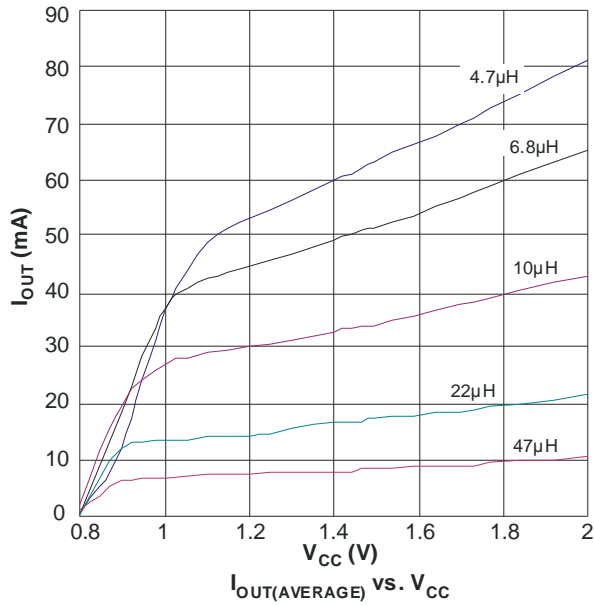
With power applied and the enable pin held at V_{CC} , an oscillator within the pulse control block forces the internal switching transistor to switch on to start an energy charge cycle. The low saturation voltage switch pulls the V_{OUT} pin close to ground which forces the supply voltage across the external inductor L1. This causes a current to build up, storing energy in the inductor. During this phase, switch current and supply voltage are monitored and used by the pulse control circuit to determine the optimum drive conditions and on-time. At the end of the energy charge cycle, the internal switch is turned off rapidly, interrupting the current flow through L1 which causes the voltage on V_{OUT} to rise dramatically. When the voltage on V_{OUT} reaches the load LED's forward (on) voltage, the inductor current is transferred from the internal switch to the LED, starting the energy discharge cycle. With the voltage across the inductor reversed, the current flowing through it (and the LED) now falls. When the inductor current reaches zero, the voltage on the V_{OUT} pin falls back towards V_{CC} . This action is sensed by the pulse control circuit and is combined with the output of an off-period timer to initiate the next energy charge cycle. Except for low level losses, all the energy stored in the inductor during a charge cycle is channeled to the load LED during the following discharge cycle.

The current fed into the load LED has a sawtooth waveform, the average (DC) value of which is kept constant by the pulse control circuit for varying supply voltage and temperature. It is possible to change the output current given by the ZXLD383 by changing the value of inductor L1. The larger the inductance of L1, the lower the output current. A table/graph showing the relationship between inductance and output current is given later in this datasheet. Since the output current of the ZXLD383 is a sawtooth waveform, its peak value is substantially larger than the DC/average value. The table also provides this data.

The internal switching transistor has a minimum collector-emitter breakdown voltage of 20V and this sets the maximum load voltage allowable. The minimum value is set by a feature of the pulse control circuit that requires the load voltage to be at least 0.5V greater than V_{CC} . (The device will function with load voltages smaller than this but output current regulation will be impaired.) Higher than nominal load voltages will lower the average (DC) output current generated for a given inductor value.

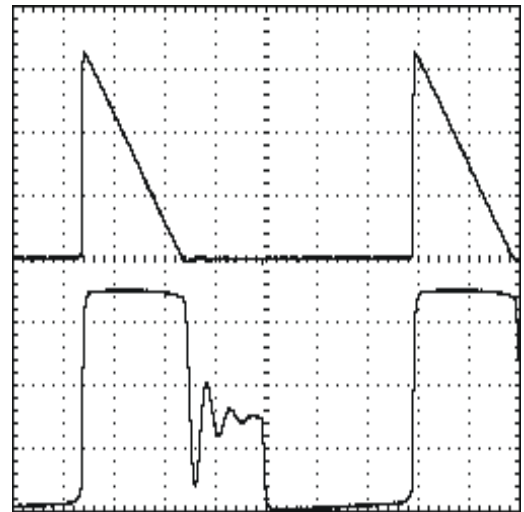
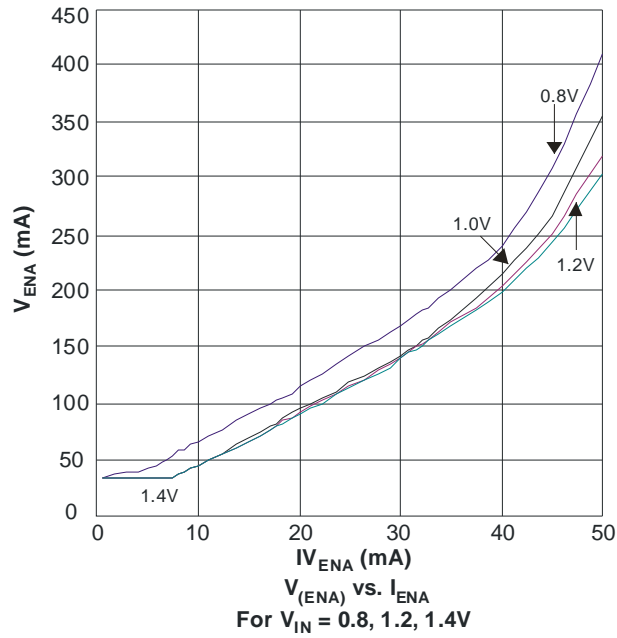
The Enable pin inhibits the operation of the output switch if held at a potential of $V_{CC}-0.8V$ or lower. It also includes a diode to ground which allows the input to be wired directly to a photocell array that will then both enable operation of the converter when in darkness and charge the IC's power source in daylight conditions. The diode function is performed by an active circuit that gives an ultra low forward voltage drop (typically less than 0.1V at 20mA). This allows the use of a lower output voltage photocell array (lower cost) without degrading performance.

Typical Characteristics



Notes: $V_{LED} = 3.5V$ for all graphs

Typical Characteristics (Cont.)



Channel-1 (Upper): I_{LED} @ 100mA/cm
Channel-2 (Lower): V_{OUT} @ 1V/cm
Timebase: 500ns/cm
Operating Waveform for $L = 6.8\mu H$, $V_{CC} = 1.5V$

Notes: $V_{LED} = 3.5V$ for all graphs

Application Examples

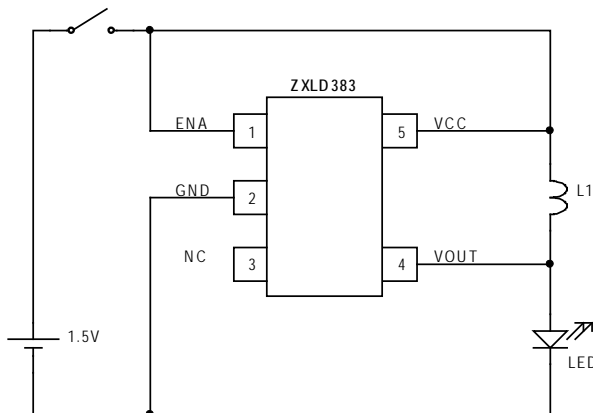
Apart from the Garden Light application circuit shown on the front page of this datasheet, the ZXLD383 may be used in many other ways. The following circuits and notes show some other possibilities and give typical performance details.

Standard operating mode

The following circuit demonstrates how few components are required to produce a light source using the ZXLD383. Operating from a single cell, this simple circuit is suited for use in car key fobs, novelty products etc. where small size and low cost are critical aspects.

By directly wiring the ENA pin to V_{CC} , the part is permanently enabled once a power supply is provided. The ZXLD383 is highly tolerant of supply ripple so no decoupling of V_{CC} should be needed in a compactly constructed circuit. Also, the part's capability of operating with a V_{CC} below 0.9V means that this simple circuit will make the best use of available battery capacity.

The attached table shows the average LED currents that can be obtained using a range of inductor values. Also shown are the peak currents required to achieve the given currents.

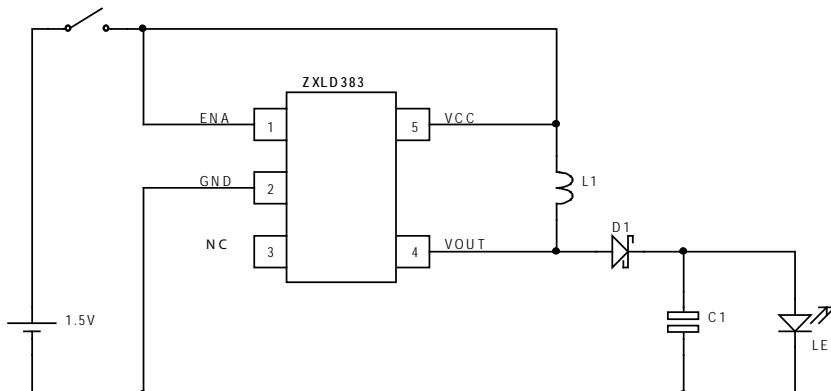


L (μH)	$I_{LED}(\text{peak})$ (mA)	$I_{LED}(\text{avg})$ (mA)
47	45	8.5
22	100	17.3
10	210	34
6.8	330	50
4.7	415	63

Notes: $V_{LED} = 3.5\text{V}$

Low Ripple LED Current Mode

It is possible that the peak LED current required to achieve a given average current is either too high for the LED of choice or it leads to some loss of efficiency (due to LED resistance losses). In these cases, just two extra low cost components can be added to provide a low ripple current supply for the LED. The Schottky diode D1 and capacitor C1 rectifies and smoothes the output of the ZXLD383 giving a low ripple current supply to the load LED. Of course, this circuit could also be used to power loads other than LEDs.

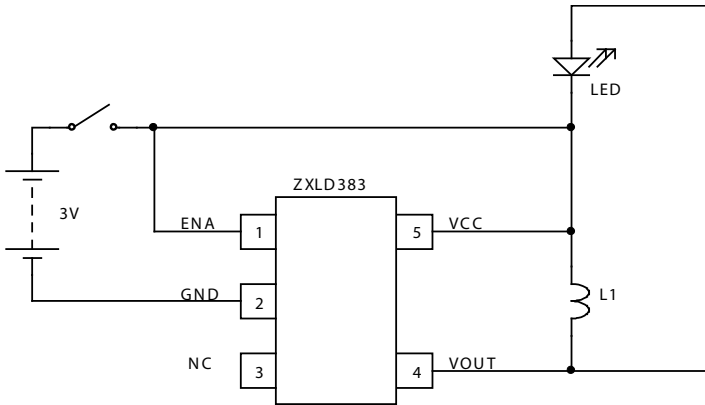


L (μH)	I_{LED} (mA)
47	7.5
22	15.5
10	31
6.8	46
4.7	58

Notes: $V_{LED} = 3.5\text{V}$, D1 = ZHCS1000, C1 = $1\mu\text{F}$ (low ESR)

Buck-boost mode

Simple boost converters can run into problems when the input supply voltage is similar to or exceeds the intended load voltage as there is usually a direct current path from the power source through to the load via the boost inductor. This path does not require switching action and so is uncontrolled. When using the ZXLD383, this problem can be avoided by wiring the cathode of the load LED to Vcc rather than ground. Without switching action, the LED is reverse-biased and so no current can flow. When switching, the anode of the LED is driven to Vcc + Vf(led). The higher than normal output voltage reduces the available output current as described earlier and this is shown in the typical data provided.

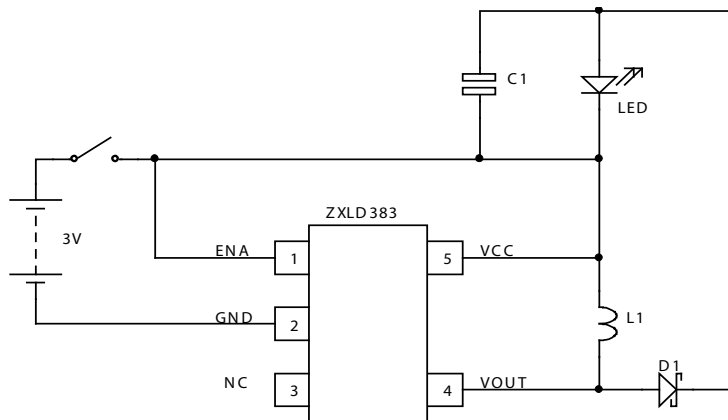


L (uH)	I _{LED} (mA)
47	5.5
22	10.3
10	23.2
6.8	36.7
4.7	46.2

Notes: V_{LED} = 3.5V

Low ripple buck-boost mode

The output of the Buck-Boost converter can be rectified and smoothed as with the standard circuit to give a low ripple output to improve LED efficiency or to give a DC output for other loads.



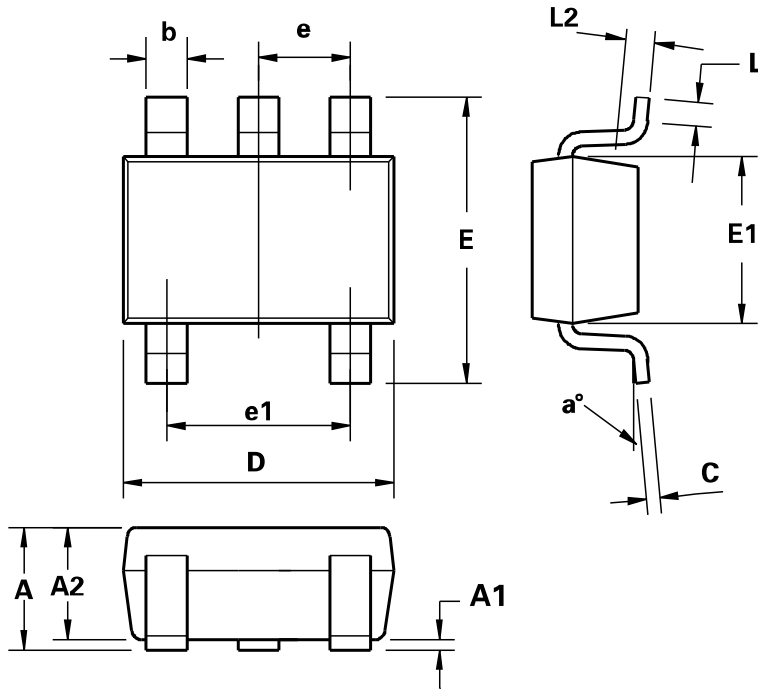
L (uH)	I _{LED} (mA)
47	5
22	9.7
10	21.7
6.8	34
4.7	43

Note: V_{LED} = 3.5V, D1=ZHCS1000, C1 = 1uF (low ESR)

Ordering Information

Part Number	Package	Part Mark	Tape Width (mm)	Quantity (per reel)
ZXLD383ET5TA	TSOT23-5	383	8	3000

Package Outline Dimensions



Dim.	Millimeters		Inches		Dim.	Millimeters		Inches	
	Min.	Max.	Min.	Max.		Min.	Max.	Min.	Max.
A	-	1.00	-	0.0393	E1	1.60 BSC		0.062 BSC	
A1	0.01	0.10	0.0003	0.0039	e	0.95 BSC		0.037 BSC	
A2	0.84	0.90	0.0330	0.0354		1.90 BSC		0.074 BSC	
b	0.30	0.45	0.0118	0.0177	L	0.10	0.60	0.0039	0.0236
C	0.12	0.20	0.0047	0.0078	L2	0.25 BSC		0.010 BSC	
D	2.90 BSC		0.114 BSC		Q	4	12	4	12
E	2.80 BSC		0.110 BSC						

IMPORTANT NOTICE

DIODES INCORPORATED MAKES NO WARRANTY OF ANY KIND, EXPRESS OR IMPLIED, WITH REGARDS TO THIS DOCUMENT, INCLUDING, BUT NOT LIMITED TO, THE IMPLIED WARRANTIES OF MERCHANTABILITY AND FITNESS FOR A PARTICULAR PURPOSE (AND THEIR EQUIVALENTS UNDER THE LAWS OF ANY JURISDICTION).

Diodes Incorporated and its subsidiaries reserve the right to make modifications, enhancements, improvements, corrections or other changes without further notice to this document and any product described herein. Diodes Incorporated does not assume any liability arising out of the application or use of this document or any product described herein; neither does Diodes Incorporated convey any license under its patent or trademark rights, nor the rights of others. Any Customer or user of this document or products described herein in such applications shall assume all risks of such use and will agree to hold Diodes Incorporated and all the companies whose products are represented on Diodes Incorporated website, harmless against all damages.

Diodes Incorporated does not warrant or accept any liability whatsoever in respect of any products purchased through unauthorized sales channel.

Should Customers purchase or use Diodes Incorporated products for any unintended or unauthorized application, Customers shall indemnify and hold Diodes Incorporated and its representatives harmless against all claims, damages, expenses, and attorney fees arising out of, directly or indirectly, any claim of personal injury or death associated with such unintended or unauthorized application.

Products described herein may be covered by one or more United States, international or foreign patents pending. Product names and markings noted herein may also be covered by one or more United States, international or foreign trademarks.

LIFE SUPPORT

Diodes Incorporated products are specifically not authorized for use as critical components in life support devices or systems without the express written approval of the Chief Executive Officer of Diodes Incorporated. As used herein:

A. Life support devices or systems are devices or systems which:

1. are intended to implant into the body, or
2. support or sustain life and whose failure to perform when properly used in accordance with instructions for use provided in the labeling can be reasonably expected to result in significant injury to the user.

B. A critical component is any component in a life support device or system whose failure to perform can be reasonably expected to cause the failure of the life support device or to affect its safety or effectiveness.

Customers represent that they have all necessary expertise in the safety and regulatory ramifications of their life support devices or systems, and acknowledge and agree that they are solely responsible for all legal, regulatory and safety-related requirements concerning their products and any use of Diodes Incorporated products in such safety-critical, life support devices or systems, notwithstanding any devices- or systems-related information or support that may be provided by Diodes Incorporated. Further, Customers must fully indemnify Diodes Incorporated and its representatives against any damages arising out of the use of Diodes Incorporated products in such safety-critical, life support devices or systems.

Copyright © 2010, Diodes Incorporated

www.diodes.com

Компания «Life Electronics» занимается поставками электронных компонентов импортного и отечественного производства от производителей и со складов крупных дистрибьюторов Европы, Америки и Азии.

С конца 2013 года компания активно расширяет линейку поставок компонентов по направлению коаксиальный кабель, кварцевые генераторы и конденсаторы (керамические, пленочные, электролитические), за счёт заключения дистрибьюторских договоров

Мы предлагаем:

- Конкурентоспособные цены и скидки постоянным клиентам.
- Специальные условия для постоянных клиентов.
- Подбор аналогов.
- Поставку компонентов в любых объемах, удовлетворяющих вашим потребностям.
- Приемлемые сроки поставки, возможна ускоренная поставка.
- Доставку товара в любую точку России и стран СНГ.
- Комплексную поставку.
- Работу по проектам и поставку образцов.
- Формирование склада под заказчика.
- Сертификаты соответствия на поставляемую продукцию (по желанию клиента).
- Тестирование поставляемой продукции.
- Поставку компонентов, требующих военную и космическую приемку.
- Входной контроль качества.
- Наличие сертификата ISO.

В составе нашей компании организован Конструкторский отдел, призванный помогать разработчикам, и инженерам.

Конструкторский отдел помогает осуществить:

- Регистрацию проекта у производителя компонентов.
- Техническую поддержку проекта.
- Защиту от снятия компонента с производства.
- Оценку стоимости проекта по компонентам.
- Изготовление тестовой платы монтаж и пусконаладочные работы.



Тел: +7 (812) 336 43 04 (многоканальный)
Email: org@lifeelectronics.ru