

Specification

(Reference)

Title: FIXED THICK FILM CHIP RESISTORS; RECTANGULAR TYPE
AND HIGH VOLTAGE

Style: RVC16,20,32,50,63

| |
|---------------------------|
| RoHS COMPLIANCE ITEM |
| Halogen and Antimony Free |

Product specification contained in this specification
are subject to change at any time without notice
If you have any questions or a Purchasing Specification for any quality
Agreement is necessary, please contact our sales staff.



釜屋電機株式會社
KAMAYA ELECTRIC CO., LTD.

Issue Dept.: Research & Development Department Hokkaido Research Center

1. Scope

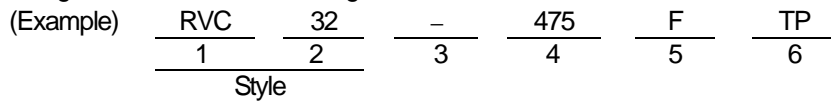
1.1 This specification covers the detail requirements for fixed thick film chip resistors; rectangular type, style of RVC16, 20, 32, 50, 63

1.2 Applicable documents

- JIS C 5201-1: 1998, JIS C 5201-8: 1998, JIS C 5201-8-1: 1998
- IEC60115-1: 1999, IEC60115-8: 1989 Amendment 1: 1992, IEC60115-8-1: 1989
- EIAJ RC-2134B-2002

2. Classification

Type designation shall be the following form.



1 Fixed thick film chip resistors; rectangular type and high voltage Style

2 Size

3 Temperature coefficient of resistance

| | |
|---------|---|
| K | $\pm 100 \times 10^{-6} / ^\circ\text{C}$ |
| -(Dash) | Standard |

4 Rated resistance Example; 475 \rightarrow 4.7M Ω

5 Tolerance on rated resistance

6 Packaging form

3. Rating

3.1 The ratings shall be in accordance with Table-1.

Table-1(1)

| Style | Rated dissipation (W) | Temperature coefficient of resistance ($10^{-6} / ^\circ\text{C}$) | | Rated resistance range(Ω) | Preferred number series for resistors | Tolerance on rated resistance |
|-------|-----------------------|--|---------------------------------|------------------------------------|---------------------------------------|---------------------------------|
| | | K | ± 100 | | | |
| RVC16 | 0.1 | K | ± 100 | 470~10M | E24, 96 | F($\pm 1\%$), G($\pm 2\%$) |
| | | | | | E24 | J($\pm 5\%$), K($\pm 10\%$) |
| | | Standard | ± 200 | 47~464 | E24, 96 | F($\pm 1\%$), G($\pm 2\%$) |
| | | | | | E24 | J($\pm 5\%$), K($\pm 10\%$) |
| RVC20 | 0.25 | K | ± 100 | 100~10M | E24, 96 | F($\pm 1\%$), G($\pm 2\%$) |
| | | | | 100~51M | E24 | J($\pm 5\%$), K($\pm 10\%$) |
| | | Standard | ± 200 | 47~97.6 | E24, 96 | F($\pm 1\%$), G($\pm 2\%$) |
| | | | | | E24 | J($\pm 5\%$), K($\pm 10\%$) |
| RVC32 | 0.25 | K | ± 100 | 100k~4.7M | E24, 96 | D($\pm 0.5\%$) |
| | | | | 100~10M | | F($\pm 1\%$), G($\pm 2\%$) |
| | | | | 100~51M | | E24 |
| | | Standard | ± 200 | 47~97.6 | E24, 96 | F($\pm 1\%$), G($\pm 2\%$) |
| | | | | | E24 | J($\pm 5\%$), K($\pm 10\%$) |
| | | | | | E24, 96 | F($\pm 1\%$), G($\pm 2\%$) |
| RVC50 | 0.5 | K | ± 100 | 470~20M | E24, 96 | F($\pm 1\%$), G($\pm 2\%$) |
| | | | | 470~51M | E24 | J($\pm 5\%$), K($\pm 10\%$) |
| | | Standard | ± 200 | 47~464 | E24, 96 | F($\pm 1\%$), G($\pm 2\%$) |
| | | | | | E24 | J($\pm 5\%$), K($\pm 10\%$) |
| RVC63 | 1.0 | K | ± 100 | 560~20M | E24, 96 | F($\pm 1\%$), G($\pm 2\%$) |
| | | | | 560~51M | E24 | J($\pm 5\%$), K($\pm 10\%$) |
| | | | | Standard | ± 200 | 100~549 |
| | | E24 | J($\pm 5\%$), K($\pm 10\%$) | | | |
| | | +500~200 | 47~97.6 | | | |
| | | | | E24 | J($\pm 5\%$), K($\pm 10\%$) | |

Table-1(2)

| Style | Limiting element voltage(V) | Isolation voltage (V) | Category temperature range (°C) |
|-------|-----------------------------|-----------------------|---------------------------------|
| RVC16 | 200 | 100 | -55~+155 |
| RVC20 | 400 | 500 | |
| RVC32 | 500 | | |
| RVC50 | 500 | | |
| RVC63 | 800 | | |

3.2 Climatic category

55/125/56

Lower category temperature - 55 °C

Upper category temperature +155 °C

Duration of the damp heat, steady state test 56days

3.3 Stability class

5%

Limits for change of resistance:

-for long-term tests ±(5%+0.1Ω)

-for short-term tests ±(1%+0.05Ω)

3.4 Derating

The derated values of dissipation at temperature in excess of 70 °C shall be as indicated by the following curve.



Figure-1 Derating curve

3.5 Rated voltage

d. c. or a. c. r. m. s. voltage calculated from the square root of the product of the rated resistance and the rated dissipation.

$$E = \sqrt{P \cdot R}$$

E : Rated voltage (V)

P : Rated dissipation (W)

R : Rated resistance (Ω)

Limiting element voltage can only be applied to resistors when the resistance value is equal to or higher than the critical resistance value.

At high value of resistance, the rated voltage may not be applicable.

4. Packaging form

The standard packaging form shall be in accordance with Table-2.

Table-2

| Symbol | Packaging form | | Standard packaging quantity / units | Application |
|--------|----------------------|-------------------------|-------------------------------------|-----------------------|
| B | Bulk (loose package) | | 1,000 pcs. | RVC16, 20, 32, 50, 63 |
| TP | Paper taping | 8mm width, 4mm pitches | 5,000 pcs. | RVC16, 20, 32 |
| TE | Embossed taping | 12mm width, 4mm pitches | 4,000 pcs. | RVC50, 63 |

5. Dimensions

5.1 The resistor shall be of the design and physical dimensions in accordance with Figure-2 and Table-3.

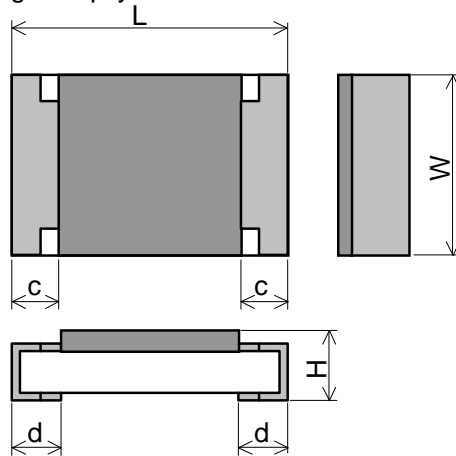


Figure-2

Table-3

Unit : mm

| Style | L | W | H | c | d |
|-------|------------|---------------------------------------|-------------|------------|------------|
| RVC16 | 1.6 ± 0.1 | 0.8 ^{+0.15} _{-0.05} | 0.45 ± 0.10 | 0.3 ± 0.1 | 0.3 ± 0.1 |
| RVC20 | 2.0 ± 0.1 | 1.25 ± 0.10 | 0.55 ± 0.10 | 0.4 ± 0.2 | 0.4 ± 0.2 |
| RVC32 | 3.1 ± 0.1 | 1.6 ± 0.15 | | 0.5 ± 0.25 | 0.5 ± 0.25 |
| RVC50 | 5.0 ± 0.15 | 2.5 ± 0.15 | 0.55 ± 0.15 | 0.6 ± 0.2 | 0.6 ± 0.2 |
| RVC63 | 6.3 ± 0.15 | 3.2 ± 0.15 | | | |

5.2 Net weight (Reference)

| Style | Net weight(mg) |
|-------|----------------|
| RVC16 | 2 |
| RVC20 | 5 |
| RVC32 | 9 |
| RVC50 | 25 |
| RVC63 | 40 |

6. Marking

The Rated resistance shall be marked in 3 digits (E24) or 4 digits (E96) and marked on over coat side.

The Rated resistance of RVC16 should not be marked in 4 digits.

(Example) "123" → 12 × 10³ [Ω] → 12 [kΩ]

"5623" → 562 × 10³ [Ω] → 562 [kΩ]

"51R1" → 51.1 [Ω]

Table-4(2)

| No | Test items | Condition of test (JIS C 5201-1) | Performance requirements |
|----|--|---|--|
| 6 | Mounting Bound strength of the end face plating Final measurements | Sub-clause 4.31 Substrate material: Epoxide woven glass Test substrate: Figure-4 Sub-clause 4.33 Bent value: 3 mm (3216 size max.) 1 mm (5025 size min.) Resistance Sub-clause 4.33.6 Visual examination | $\Delta R \leq \pm (1\%+0.05\Omega)$ No visible damage |
| 7 | Resistance to soldering heat Component resistance solvent | Sub-clause 4.18 Solder temperature: 260 °C ± 5 °C Immersion time: 10 s ± 0.5 s Visual examination Resistance Sub-clause 4.29 Solvent: 2-propanol Solvent temperature: 23 °C ± 5 °C Method 2 Recovery: 48 h Visual examination Resistance | As in 4.18.3.4 No sign of damage such as cracks. $\Delta R \leq \pm (1\%+0.05\Omega)$ No visible damage $\Delta R \leq \pm (1\%+0.05\Omega)$ |
| 8 | Mounting Adhesion Rapid change temperature | Sub-clause 4.31 Substrate material: Epoxide woven glass Test substrate: Figure-3 Sub-clause 4.32 Force: 5 N Duration: 10 s ± 1 s Visual examination Sub-clause 4.19 Lower category temperature: -55 °C Upper category temperature: +125 °C Duration of exposure at each temperature: 30 min. Number of cycles: 5 cycles. Visual examination Resistance | No visible damage No visible damage $\Delta R \leq \pm (1\%+0.05\Omega)$ |

Table-4(3)

| No | Test items | Condition of test (JIS C 5201-1) | Performance requirements |
|----|--|--|--|
| 9 | <p>Climatic sequence</p> <p>-Dry heat</p> <p>-Damp heat, cycle (12+12hour cycle) First cycle</p> <p>-Cold</p> <p>-Damp heat, cycle (12+12hour cycle) Remaining cycle</p> <p>-D.C. load</p> | <p>Sub-clause 4.23</p> <p>Sub-clause 4.23.2</p> <p>Test temperature: +155 °C</p> <p>Duration: 16 h</p> <p>Sub-clause 4.23.3</p> <p>Test method: 2</p> <p>Test temperature: 55 °C</p> <p>[Severity(2)]</p> <p>Sub-clause 4.23.4</p> <p>Test temperature -55 °C</p> <p>Duration: 2h</p> <p>Sub-clause 4.23.6</p> <p>Test method: 2</p> <p>Test temperature: 55 °C</p> <p>[Severity (2)]</p> <p>Number of cycles: 5 cycles</p> <p>Sub-clause 4.23.7</p> <p>The applied voltage shall be the rated voltage or the limiting element voltage whichever is the smaller.</p> <p>Duration: 1 min.</p> <p>Visual examination</p> <p>Resistance</p> | <p>No visible damage</p> <p>$\Delta R \leq \pm (5\%+0.1\Omega)$</p> |
| 10 | <p>Mounting</p> <p>Endurance at 70 °C</p> | <p>Sub-clause 4.31</p> <p>Substrate material: Epoxide woven glass (RVC63 may use Alumina substrate.)</p> <p>Test substrate: Figure-3</p> <p>Sub-clause 4.25.1</p> <p>Ambient temperature: 70 °C ± 2 °C</p> <p>Duration: 1000 h</p> <p>The voltage shall be applied in cycles of 1.5 h on and 0.5 h.</p> <p>The applied voltage shall be the rated voltage or the limiting element voltage whichever is the smaller.</p> <p>Examination at 48 h , 500 h and 1000 h:</p> <p>Visual examination</p> <p>Resistance</p> | <p>No visible damage</p> <p>$\Delta R \leq \pm (5\%+0.1\Omega)$</p> |

Table-4(4)

| No | Test items | Condition of test (JIS C 5201-1) | Performance requirements |
|----|--|---|---|
| 11 | Mounting Variation of resistance with temperature | Sub-clause 4.31 Substrate material: Epoxide woven glass Test substrate: Figure-3 Sub-clause 4.8 -55 °C / +20 °C +20 °C / +155°C | As in Table-1 |
| 12 | Mounting Damp heat, steady state | Sub-clause 4.31 Substrate material: Epoxide woven glass Test substrate: Figure-3 Sub-clause 4.24 Ambient temperature: 40 °C ± 2 °C Relative humidity : 93 ⁺² / ₋₃ % a) 1st group: without voltage applied. b) 2nd group: The d. c. voltage shall be applied continuously. The voltage shall be accordance with Sub-clause 4.24.2.1 b). without polarizing voltage [4.24.2.1, c] Visual examination Resistance | No visible damage Legible marking $\Delta R \leq \pm (5\%+0.1\Omega)$ |
| 13 | Dimensions (detail) Mounting Endurance at upper category temperature | Sub-clause 4.4.3 Sub-clause 4.31 Substrate material: Epoxide woven glass Test substrate: Figure-3 Sub-clause 4.25.3 Ambient temperature:155 °C ± 2 °C Duration: 1000 h Examination at 48 h, 500 h and 1000 h: Visual examination Resistance | As in Table-3 No visible damage $\Delta R \leq \pm (5\%+0.1\Omega)$ |

8. Test substrate



RVC50,63 TEST SUBSTRATE

Unit: mm

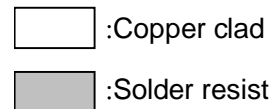


| Style | a | b | c | d |
|-------|-----|-----|-----|-----|
| RVC50 | 4.0 | 7.5 | 2.0 | 7.5 |
| RVC63 | 5.0 | 9.0 | 4.5 | 7.5 |

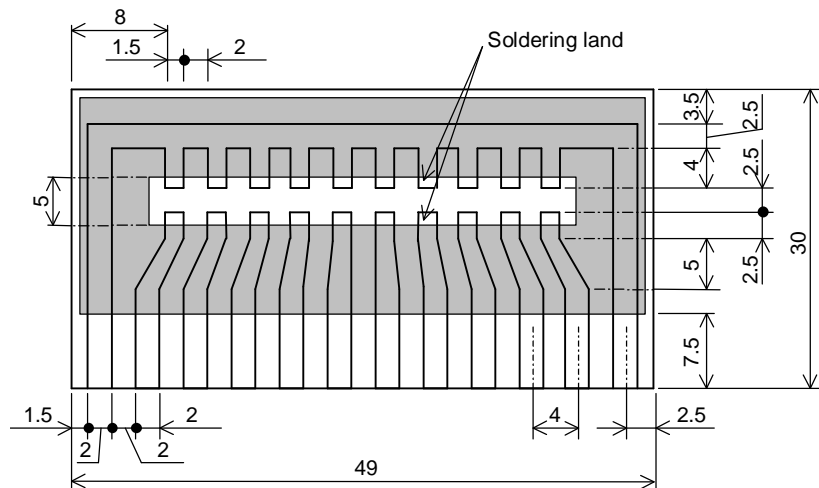


RVC16,20 TEST SUBSTRATE

Unit: mm



| Style | a | b | c | d |
|-------|-----|-----|-----|-----|
| RVC16 | 1.0 | 3.6 | 1.0 | 4.5 |
| RVC20 | 1.2 | 4.0 | 1.5 | 4.3 |



RVC32 TEST SUBSTRATE

Unit: mm

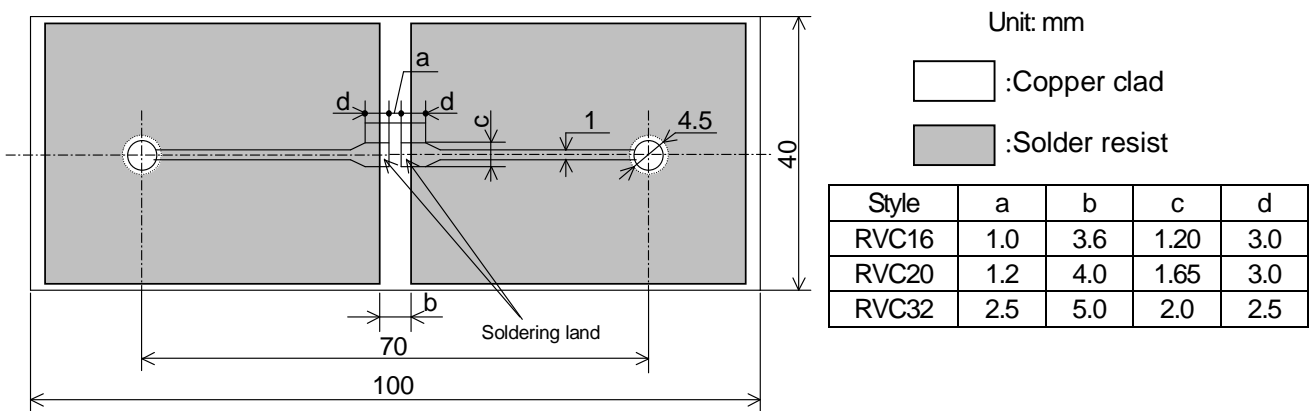


Figure-3

- Remark 1). Material: Epoxide woven glass
Thickness: 1.6mm Thickness of copper clad: 0.035mm
- 2). In the case of connection by connector, the connecting terminals are gold plated.
However, the plating is not necessary when the connection is made by soldering.



RVC50,63 BOUND STRENGTH OF THE END FACE PLATING TEST SUBSTRATE



Remark 1). Material: Epoxide woven glass

Thickness: 1.6mm Thickness of copper clad: 0.035mm

RVC16,20,32 BOUND STRENGTH OF THE END FACE PLATING TEST SUBSTRATE

Figure-4

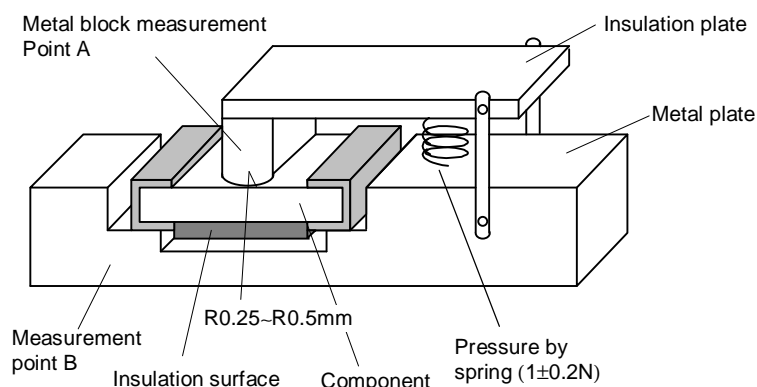


Figure-5

9. Taping

9.1 Applicable documents JIS C 0806-3: 1999, EIAJ ET-7200B: 2003

9.2 Taping dimensions

9.2.1 Paper taping (8mm width, 4mm pitches)

Taping dimensions shall be in accordance with Figure-6 and Table-5.

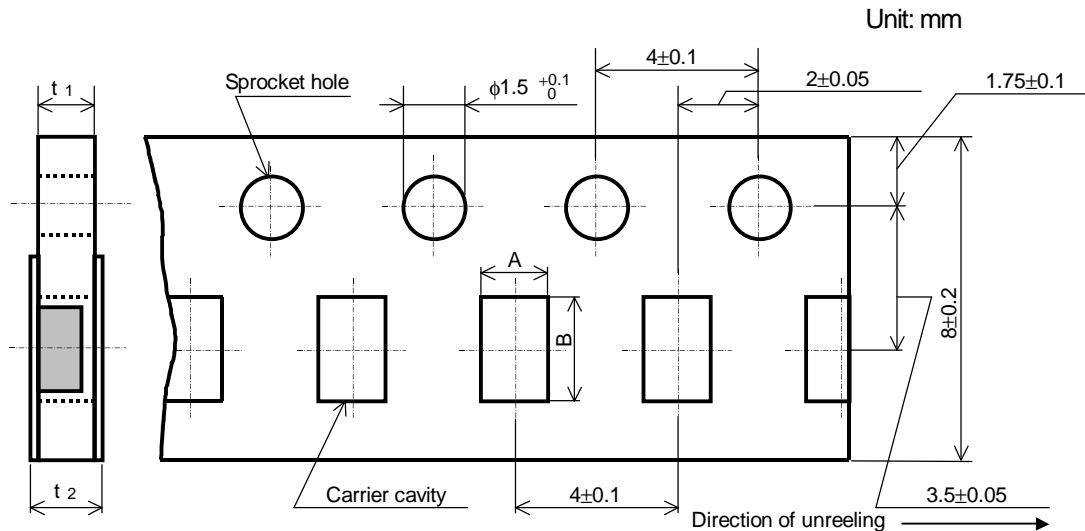


Figure-6

Table-5

Unit: mm

| Style | A | B | t ₁ | t ₂ |
|-------|-----------|---------|----------------|----------------|
| RVC16 | 1.15±0.15 | 1.9±0.2 | 0.6±0.1 | 0.8max. |
| RVC20 | 1.65±0.15 | 2.5±0.2 | 0.8±0.1 | 1.0max. |
| RVC32 | 2.00±0.15 | 3.6±0.2 | | |

9.2.2 Embossed taping dimensions shall be in accordance with Figure-7 and Table-6.

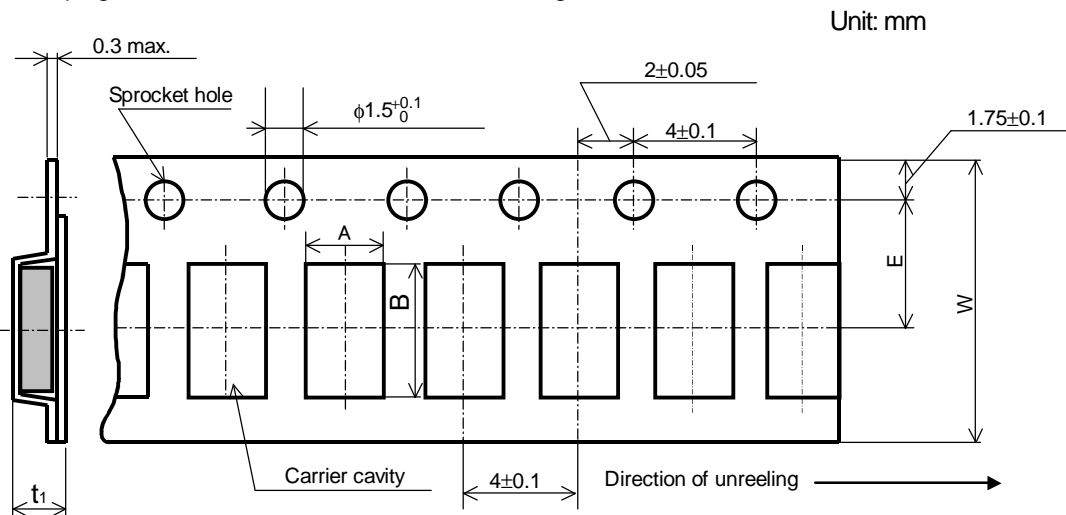


Figure-7

Table-6

Unit: mm

| Style | A | B | W | E | t ₁ |
|-------|---------|---------|----------|----------|----------------|
| RVC50 | 3.1±0.2 | 5.5±0.2 | 12.0±0.3 | 5.5±0.05 | 1.1±0.15 |
| RVC63 | 3.6±0.2 | 6.9±0.2 | | | |

- 1). The cover tapes shall not cover the sprocket holes.
- 2). Tapes in adjacent layers shall not stick together in the packing.
- 3). Components shall not stick to the carrier tape or to the cover tape.
- 4). Pitch tolerance over any 10 pitches $\pm 0.2\text{mm}$.
- 5). The peel strength of the top cover tape shall be with in 0.1N to 0.5N on the test method as shown in the following RVC16,20,32: Figure-8, RVC50,63: Figure-9.
- 6). When the tape is bent with the minimum radius for RVC16,20,32: 25 mm, or RVC50,63: 30 mm, the tape shall not be damaged and the components shall maintain their position and orientation in the tape.
- 7). In no case shall there be two or more consecutive components missing.
The maximum number of missing components shall be one or 0.1%, whichever is greater.
- 8). The resistors shall be faced to upward at the over coating side in the carrier cavity.



Figure-8

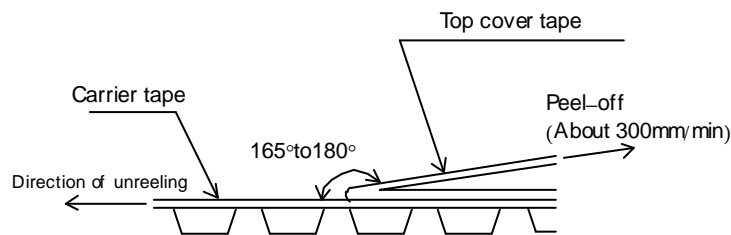


Figure-9

9.3 Reel dimension

Reel dimensions shall be in accordance with the following Figure-10 and Table-7.

Plastic reel (Based on EIAJ ET-7200B)

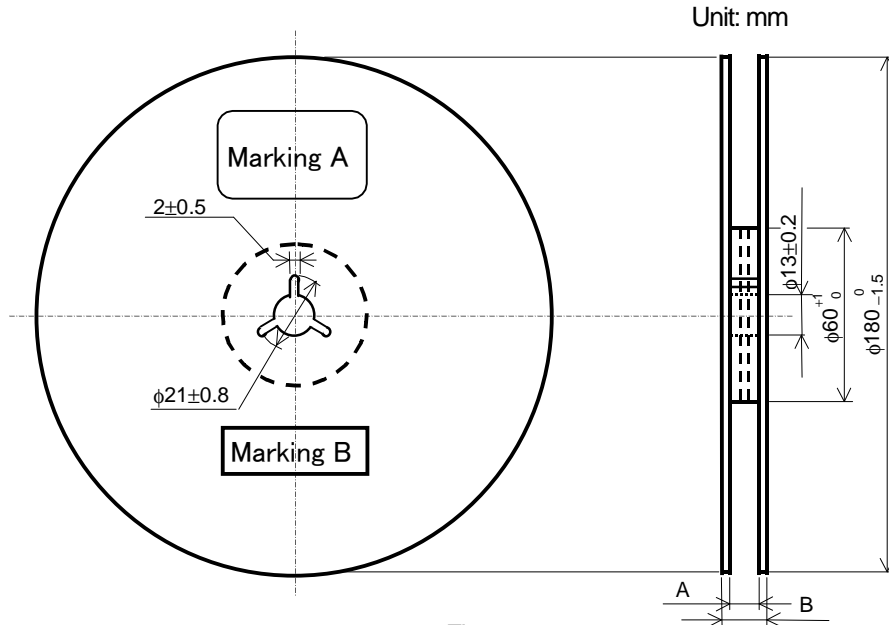


Figure-10

Table-7

Unit: mm

| Style | A | B | Note |
|-------------|-----------------------------------|----------|-------------------|
| RVC16,20,32 | 9 ^{+1.0} / ₀ | 11.4±1.0 | Injection molding |
| | | 13±1.0 | Vacuum forming |
| RVC50,63 | 13 ^{+1.0} / ₀ | 17±1.0 | Vacuum forming |

Note: Marking label shall be marked on a place of Marking A or two place of marking A and B.

9.4 Leader and trailer tape.

(Example)



Figure-11

10. Marking on package

The label of a minimum package shall be legibly marked with follows.

10.1 Marking A

(1) Classification

(Style, Temperature coefficient of resistance, Rated resistance, Tolerance on rated resistance, Packaging form)

(2) Quantity (3) Lot number (4) Manufacturer's name or trade mark (5) Others

10.2 Marking B (KAMAYA Control label)

Mouser Electronics

Authorized Distributor

Click to View Pricing, Inventory, Delivery & Lifecycle Information:

[Kamaya:](#)

[RVC32K304FTP](#) [RVC50K105FTE](#) [RVC32K305FTP](#) [RVC32K125FTP](#) [RVC32K225FTP](#) [RVC20K390FTP](#)

Компания «Life Electronics» занимается поставками электронных компонентов импортного и отечественного производства от производителей и со складов крупных дистрибьюторов Европы, Америки и Азии.

С конца 2013 года компания активно расширяет линейку поставок компонентов по направлению коаксиальный кабель, кварцевые генераторы и конденсаторы (керамические, пленочные, электролитические), за счёт заключения дистрибьюторских договоров

Мы предлагаем:

- Конкурентоспособные цены и скидки постоянным клиентам.
- Специальные условия для постоянных клиентов.
- Подбор аналогов.
- Поставку компонентов в любых объемах, удовлетворяющих вашим потребностям.
- Приемлемые сроки поставки, возможна ускоренная поставка.
- Доставку товара в любую точку России и стран СНГ.
- Комплексную поставку.
- Работу по проектам и поставку образцов.
- Формирование склада под заказчика.
- Сертификаты соответствия на поставляемую продукцию (по желанию клиента).
- Тестирование поставляемой продукции.
- Поставку компонентов, требующих военную и космическую приемку.
- Входной контроль качества.
- Наличие сертификата ISO.

В составе нашей компании организован Конструкторский отдел, призванный помогать разработчикам, и инженерам.

Конструкторский отдел помогает осуществить:

- Регистрацию проекта у производителя компонентов.
- Техническую поддержку проекта.
- Защиту от снятия компонента с производства.
- Оценку стоимости проекта по компонентам.
- Изготовление тестовой платы монтаж и пусконаладочные работы.



Тел: +7 (812) 336 43 04 (многоканальный)

Email: org@lifeelectronics.ru