

PLEASE CHECK WWW.MOLEX.COM FOR LATEST PART INFORMATION

Part Number: [0877159902](#)

Status: **Active**

Overview:

Description: 1.00mm (.039") Pitch, PCI Express* Connector, 98 Circuits, Nylon 4/6 Glass-filled, Black Housing, Phosphor Bronze, Gold (Au) Flash, with Plastic Pegs, 2.30mm (.091") Solder-tail, Connector Link Length 89.00mm (3.504"), Lead Free

Agency Certification

| | |
|-----|---------|
| CSA | LR19980 |
| UL | E29179 |

General

| | |
|----------------|---------------------------------|
| Product Family | Edge Card Connectors |
| Series | 87715 |
| Comments | PCI 16 lanes |
| Component Type | Edgecard to PCB |
| Overview | pci_express_card_edge_connector |
| Product Name | PCI Express* |

Physical

| | |
|--------------------------------|----------------------|
| Circuits (Loaded) | 98 |
| Circuits (maximum) | 98 |
| Circuits Detail | All Signal |
| Durability (mating cycles max) | 50 |
| Entry Angle | Vertical (Top Entry) |
| Flammability | 94V-0 |
| Keying to Mating Part | Yes |
| Material - Plating Mating | Gold |
| Material - Plating Termination | Tin |
| PC Tail Length (in) | 0.091 In |
| PC Tail Length (mm) | 2.30 mm |
| PCB Locator | Yes |
| PCB Retention | Yes |
| PCB Thickness Recommended (in) | 0.062 In |
| PCB Thickness Recommended (mm) | 1.60 mm |
| Packaging Type | Tray |
| Pitch - Mating Interface (in) | 0.039 In |
| Pitch - Mating Interface (mm) | 1.00 mm |
| Pitch - Term. Interface (in) | 0.039 In |
| Pitch - Term. Interface (mm) | 1.00 mm |
| Polarized to Mating Part | Yes |
| Temperature Range - Operating | -55°C to +85°C |
| Termination Interface: Style | Through Hole |

Electrical

| | |
|-------------------------------|-----------------|
| Current - Maximum per Contact | 1.1A |
| Voltage - Maximum | 50V AC (RMS)/DC |

Solder Process Data

| | |
|------------------------------|------------------------|
| Lead-free Process Capability | Wave Capable (TH only) |
| Process Temperature max. C | 245 |

Material Info

Reference - Drawing Numbers

| | |
|-------------------------|--------------|
| Packaging Specification | PK-87715-208 |
| Sales Drawing | SD-87715-208 |

EU RoHS

**ELV and RoHS
Compliant**

REACH SVHC

Not Reviewed

Halogen-Free

Status

Not Reviewed

China RoHS



**Need more information on product
environmental compliance?**

Email productcompliance@molex.com
For a multiple part number RoHS Certificate of
Compliance, [click here](#)

Please visit the [Contact Us](#) section for any
non-product compliance questions.

Search Parts in this Series

87715Series

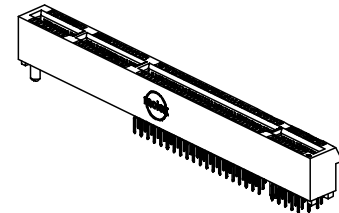
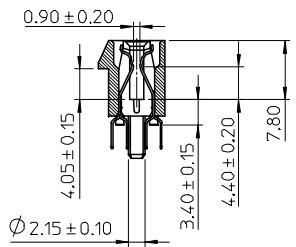
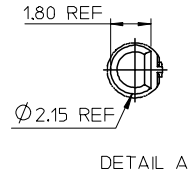
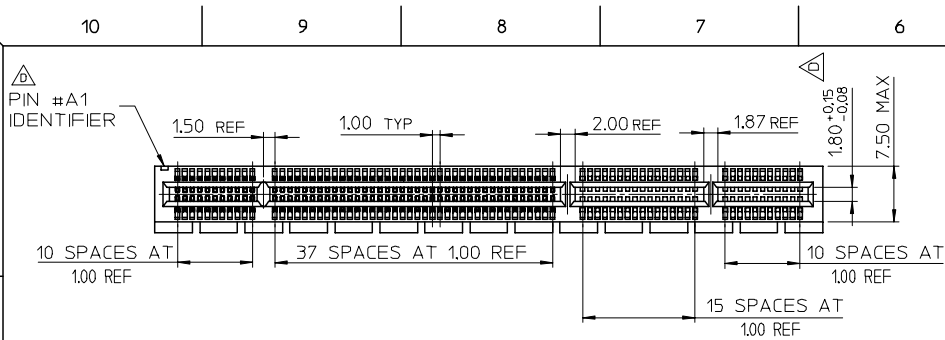
Mates With

PCI Express Card

| * PCI Express is a registered trademark of PCI-SIG®

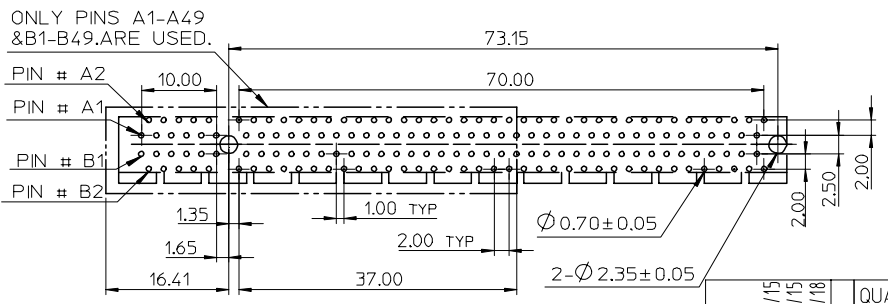
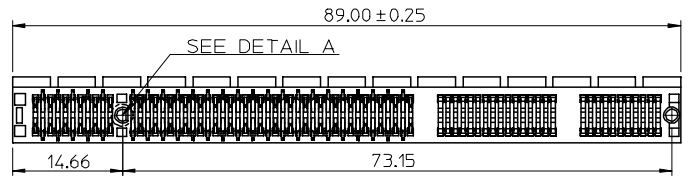
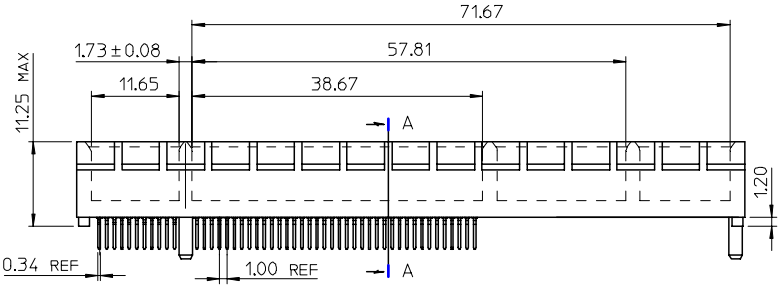
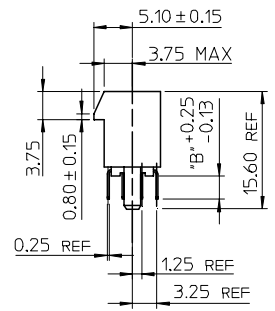
This document was generated on 06/04/2010

PLEASE CHECK WWW.MOLEX.COM FOR LATEST PART INFORMATION



SECTION A-A

- NOTES:
- MATERIALS:
1-1.HOUSING:SEE TABLE, 30% GLASS FIBER FILLED UL94V-0
COLOR:SEE TABLE
 - CONTACT:SEE TABLE
 - PLATING:
2-1.CONTACT AREA:SEE TABLE
2-2.SOLDER TAIL:SEE TABLE
2-3.UNDER PLATING:SEE TABLE
 - DATE CODE:TO BE PRINTED
 - PRODUCT SPECIFICATION REFER TO PS-87715-200
 - PACKAGE SPECIFICATION REFER TO PK-87715-203
 - TEST SUMMARY:REFER TO TS-87715-203
 - LEAD FREE AND RoHS COMPLIANT PRODUCT.



ONLY PINS A1-A49 & B1-B49 ARE USED.

| MOLEX P/N | CIRCUIT SIZE | HOUSING MATERIAL | HOUSING COLOR | TERMINAL MATERIAL | CONTACT PLATING | SOLDER TAIL PLATING | DIM"B" |
|------------|--------------|------------------|---------------|-------------------|-------------------|--|--------|
| 87715-9902 | | | | | | | 2.30 |
| 87715-9903 | N/A | NYLON46 | BLACK | PHOSPHOR BROZNE | GOLD FLASH | 100 MICROINCH MIN TIN OVER 50 MICROINCH NICKEL OVERALL | 2.54 |
| 87715-9904 | | | | | | | 3.00 |
| 87715-9905 | | | | | | | 2.30 |
| 87715-9906 | N/A | NYLON46 | BLACK | PHOSPHOR BROZNE | GOLD 15 MICROINCH | 100 MICROINCH MIN TIN OVER 50 MICROINCH NICKEL OVERALL | 2.54 |
| 87715-9907 | | | | | | | 3.00 |

EMR 2006-0005 & 0019
 EC NO: SH2006-0100
 DRWN:ALLIN 2006/05/15
 CHKD: 2006/05/15
 APPR:WISCHANG 2006/05/18

| REV | DESCRIPTION |
|-----|-------------|
| D | |

| QUALITY SYMBOLS | GENERAL TOLERANCES (UNLESS SPECIFIED) |
|-----------------|---------------------------------------|
| ▽=0 | |
| ▽=0 | |

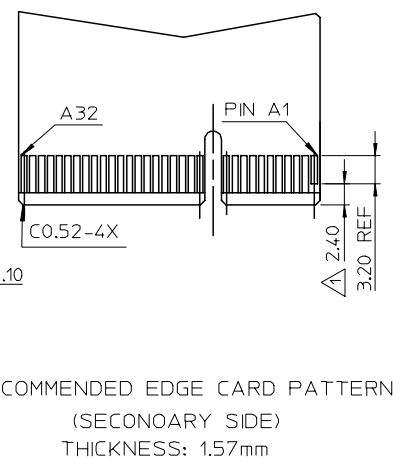
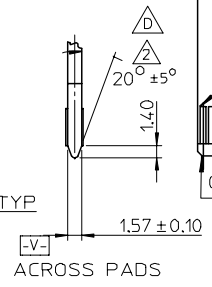
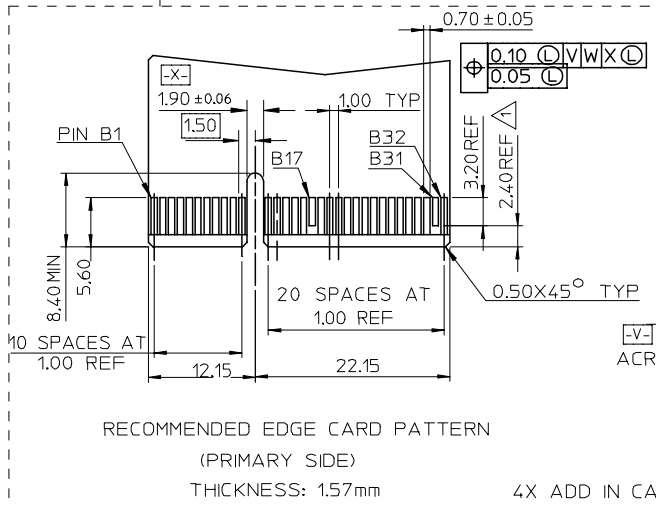
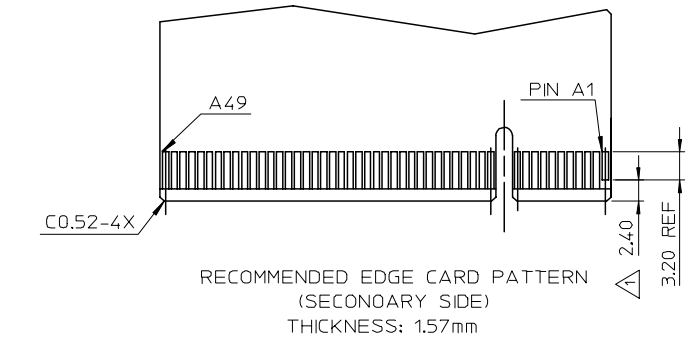
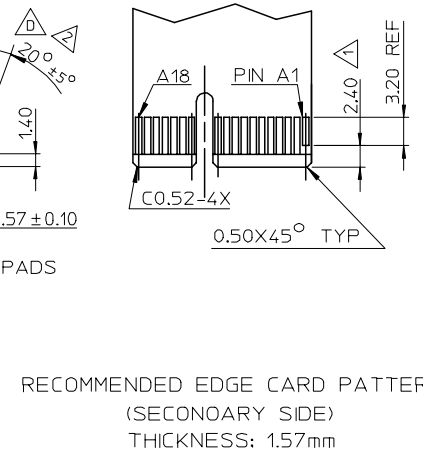
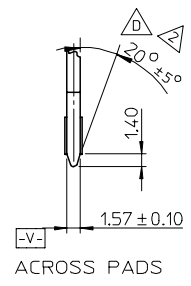
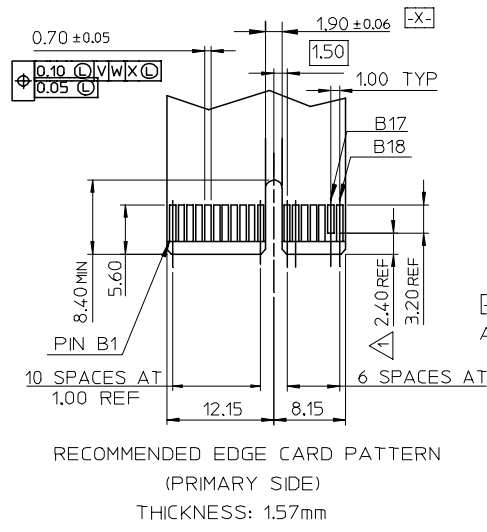
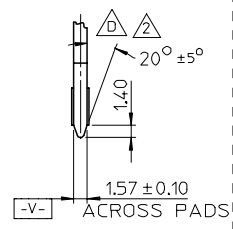
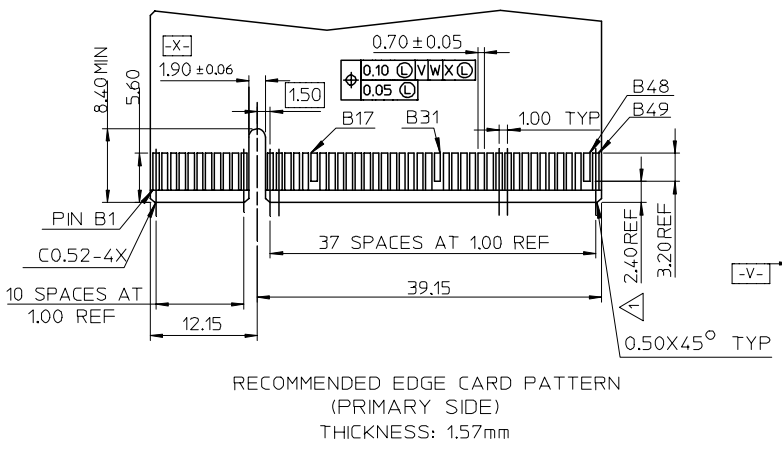
| DIMENSION STYLE | |
|-----------------|------------|
| MM ONLY | |
| DRAWN BY | DATE |
| TOM | 2004/10/15 |
| CHECKED BY | DATE |
| ALLEN LIN | 2004/10/26 |
| APPROVED BY | DATE |
| WILSON CHANG | 2004/10/26 |
| MATERIAL NO. | |
| SEE TABLE | |

| SCALE | DESIGN UNITS | THIRD ANGLE PROJECTION |
|---|--------------|------------------------|
| | METRIC | |
| TITLE | | |
| PCI EXPRESS X16 LOAD 98 CKT CONNECTOR (LEAD FREE VERSION) | | |
| MOLEX INCORPORATED | | |
| DOCUMENT NO. | | SHEET NO. |
| SD-87715-208 | | 1 OF 2 |
| DRAFT WHERE APPLICABLE MUST REMAIN WITHIN DIMENSIONS | | |
| THIS DRAWING CONTAINS INFORMATION THAT IS PROPRIETARY TO MOLEX INCORPORATED AND SHOULD NOT BE USED WITHOUT WRITTEN PERMISSION | | |

10 9 8 7 6 5 4 3 2 1

F
E
D
C
B
A

F
E
D
C
B
A



- △ NO TIE BAR PERMITTED FROM CARD EDGE TO LEADING EDGE OF PAD FOR THE HOT PLUG PINS
- △ CHAMFER EDGES MUST BE FREE OF CUTTING BURRS.

| | | | | | | | | | | | | | |
|-------------|--|--|---------------------|-----------------|---------------------------------------|---|---------------------------------------|-------|--------------|------------------------|--------|--|--|
| SEE SHEET 1 | EC NO: SH2006-0100 DRWN: ALLIN CHKD: APPR: WWSCHANG | 2006/05/15 2006/05/15 2006/05/18 | DESCRIPTION REV | QUALITY SYMBOLS | GENERAL TOLERANCES (UNLESS SPECIFIED) | DIMENSION STYLE | | SCALE | DESIGN UNITS | THIRD ANGLE PROJECTION | | | |
| | | | | ▽ = 0 ◻ = 0 | | mm INCH | MM ONLY | | | | METRIC | | |
| | | | | | | 4 PLACES ± --- ± --- 3 PLACES ± --- ± --- 2 PLACES ± 0.25 ± --- 1 PLACE ± 0.25 ± --- ANGULAR ± 3° | DRAWN BY CHECKED BY APPROVED BY | | | | | DATE DATE DATE | TITLE PCI EXPRESS X16 LOAD 98 CKT CONNECTOR (LEAD FREE VERSION) |
| | | | | | | DRAFT WHERE APPLICABLE MUST REMAIN WITHIN DIMENSIONS | MATERIAL NO. SEE TABLE | | | | | DATE 2004/10/15 2004/10/26 2004/10/26 | MOLEX INCORPORATED |
| | | DOCUMENT NO. SD-87715-208 | SHEET NO. 2 OF 2 | | | | | | | | | | |

9 8 7 6 5 4 3 2 1

Компания «Life Electronics» занимается поставками электронных компонентов импортного и отечественного производства от производителей и со складов крупных дистрибьюторов Европы, Америки и Азии.

С конца 2013 года компания активно расширяет линейку поставок компонентов по направлению коаксиальный кабель, кварцевые генераторы и конденсаторы (керамические, пленочные, электролитические), за счёт заключения дистрибьюторских договоров

Мы предлагаем:

- Конкурентоспособные цены и скидки постоянным клиентам.
- Специальные условия для постоянных клиентов.
- Подбор аналогов.
- Поставку компонентов в любых объемах, удовлетворяющих вашим потребностям.
- Приемлемые сроки поставки, возможна ускоренная поставка.
- Доставку товара в любую точку России и стран СНГ.
- Комплексную поставку.
- Работу по проектам и поставку образцов.
- Формирование склада под заказчика.
- Сертификаты соответствия на поставляемую продукцию (по желанию клиента).
- Тестирование поставляемой продукции.
- Поставку компонентов, требующих военную и космическую приемку.
- Входной контроль качества.
- Наличие сертификата ISO.

В составе нашей компании организован Конструкторский отдел, призванный помогать разработчикам, и инженерам.

Конструкторский отдел помогает осуществить:

- Регистрацию проекта у производителя компонентов.
- Техническую поддержку проекта.
- Защиту от снятия компонента с производства.
- Оценку стоимости проекта по компонентам.
- Изготовление тестовой платы монтаж и пусконаладочные работы.



Тел: +7 (812) 336 43 04 (многоканальный)
Email: org@lifeelectronics.ru