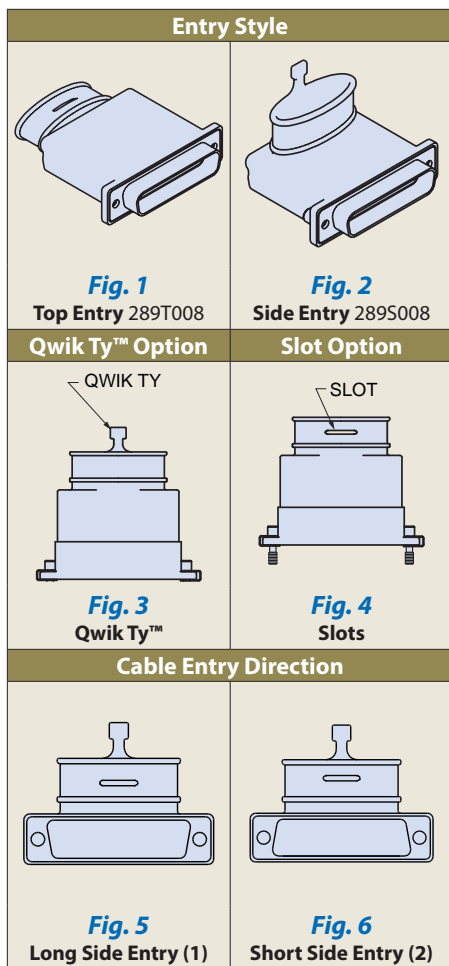


EMI Backshell, one-piece, environmental

289T008 top entry, 289S008 side entry



289-008 backshell provides watertight EMI protection for HiPer-D® connectors. Fits standard HiPer-D® pin and socket connectors (280-018P, 280-019S) and Combo HiPer-D® connectors (280-046P and 280-047S). Available with top entry or side entry. Terminate cable shield with optional Band-Master™ATS clamping band. Elliptical cable entry provides room for large wire bundles. Backshell consists of solid one piece housing, two stainless steel hex head jackscrews, two jackscrew retainer clips and silicone rubber sealing gasket. Aluminum or stainless steel. Use with Glenair Series 77 heat-shrink boot.



| Ordering Information | | | | | | | | |
|-----------------------|---|-----------|----------|----------|----------|----------|----------|----------|
| Sample Part Number | 289S008 | JF | 6 | A | T | S | K | 2 |
| Basic Part Number | 289T008 = Top Entry (Fig. 1) 289S008 = Side Entry (Fig. 2) | | | | | | | |
| Finish | ME = Electroless Nickel (RoHS) MT = Nickel-PTFE (RoHS) JF = Cadmium with Yellow Chromate Z2 = Gold (RoHS) Z1 = Passivated Stainless Steel (RoHS) | | | | | | | |
| Shell Size | 1 = Shell Size 1 2 = Shell Size 2 3 = Shell Size 3 4 = Shell Size 4 5 = Shell Size 5 6 = Shell Size 6 | | | | | | | |
| Entry Size | A, B, C or D See Cable Entry Size Table Below | | | | | | | |
| Qwik Ty™ Option | N = Supplied without Qwik Ty™ T = With Qwik Ty™ Strain Relief (Fig. 3) | | | | | | | |
| Slot Option | N = Supplied without Slots S = With Slots for Terminating Individual Shields (Fig. 4) | | | | | | | |
| EMI/RFI Band | N = Supplied without Band K = Supplied with Pre-Coiled Band (600-052-1) | | | | | | | |
| Cable Entry Direction | Omit for 289T008. Applies only to 289S008. 1 = Cable Exit on Long Side of Shell Keystone (Fig. 5) 2 = Cable Exit on Short Side of Shell Keystone (Fig. 6) | | | | | | | |

| Cable Entry Size | | | | | | | | | | | | | | | | |
|------------------|--------------|------|------|------|--------------|-------|------|-------|--------------|-------|------|-------|--------------|-------|------|-------|
| Shell Size | Entry Size A | | | | Entry Size B | | | | Entry Size C | | | | Entry Size D | | | |
| | E | | F | | E | | F | | E | | F | | E | | F | |
| | In. | mm | In. | mm | In. | mm | In. | mm | In. | mm | In. | mm | In. | mm | In. | mm |
| 1 | .143 | 3.63 | .143 | 3.63 | .195 | 4.95 | .195 | 4.95 | .242 | 6.15 | .242 | 6.15 | .438 | 11.13 | .375 | 9.53 |
| 2 | .188 | 4.78 | .188 | 4.78 | .256 | 6.50 | .256 | 6.50 | .480 | 12.19 | .375 | 9.53 | .688 | 17.48 | .375 | 9.53 |
| 3 | .245 | 6.22 | .245 | 6.22 | .550 | 13.97 | .375 | 9.53 | .780 | 19.81 | .375 | 9.53 | 1.125 | 28.58 | .375 | 9.53 |
| 4 | .291 | 7.39 | .291 | 7.39 | .800 | 20.32 | .375 | 9.53 | 1.260 | 32.00 | .375 | 9.53 | 1.813 | 46.05 | .375 | 9.53 |
| 5 | .326 | 8.28 | .326 | 8.28 | .770 | 19.56 | .485 | 12.32 | 1.250 | 31.75 | .485 | 12.32 | 1.750 | 44.45 | .485 | 12.32 |
| 6 | .376 | 9.55 | .376 | 9.55 | .863 | 21.92 | .550 | 13.97 | 1.323 | 33.60 | .550 | 13.97 | 1.875 | 47.63 | .550 | 13.97 |

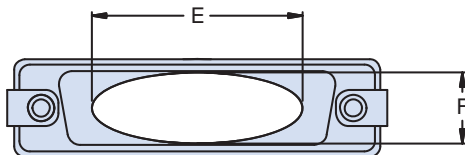
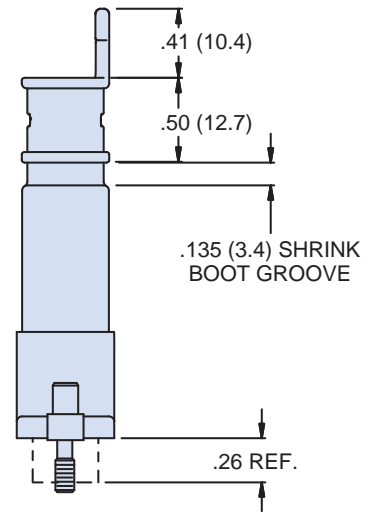
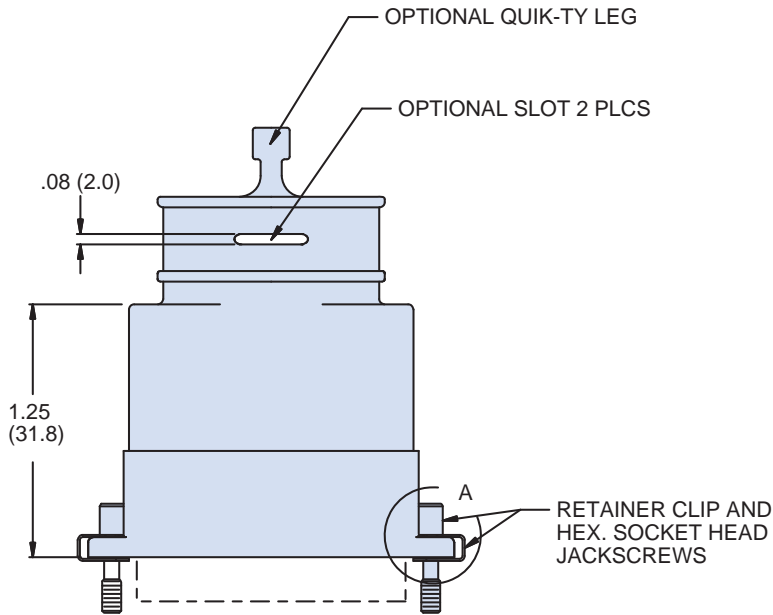
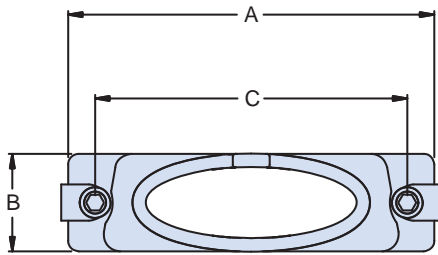
E

SERIES 28
HiPer-D® Accessories



EMI Backshell, one-piece, environmental
289T008 top entry

289T008 DIMENSIONS

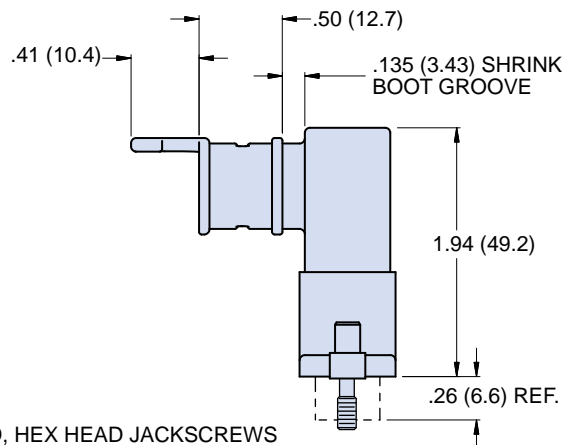
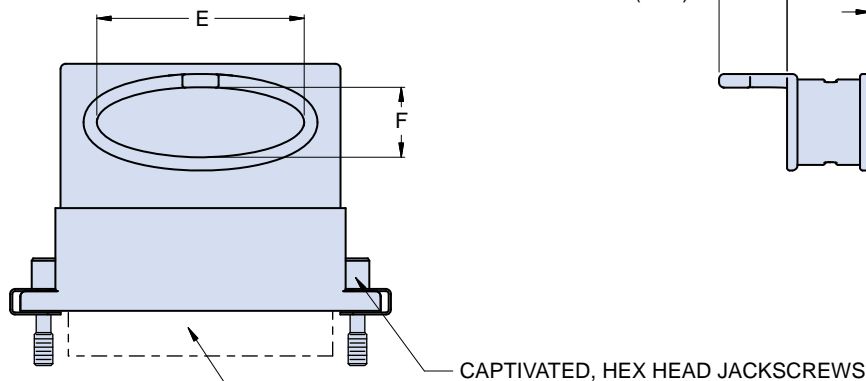
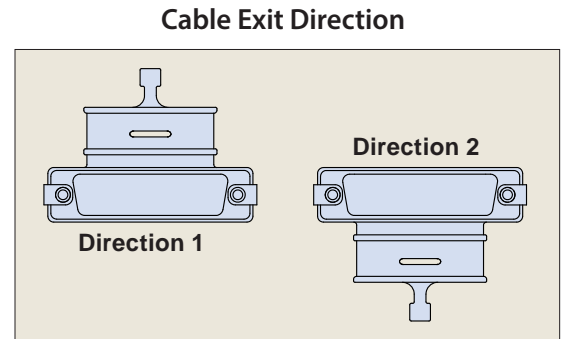
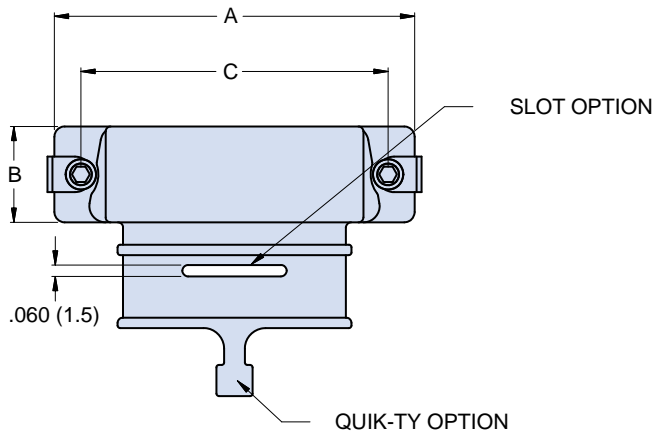


| Dimensions | | | | | | | | | | | | | | | | | | | | | | |
|------------|-------|-------|-------|-------|---------|-------|--------------|------|------|------|--------------|-------|------|-------|--------------|-------|------|-------|--------------|-------|------|-------|
| Shell Size | A Max | | B Max | | C Basic | | Entry Size A | | | | Entry Size B | | | | Entry Size C | | | | Entry Size D | | | |
| | In. | mm | In. | mm | In. | mm | E | | F | | E | | F | | E | | F | | E | | F | |
| | In. | mm | In. | mm | In. | mm | In. | mm | In. | mm | In. | mm | In. | mm | In. | mm | In. | mm | In. | mm | In. | mm |
| 1 | 1.395 | 35.43 | .624 | 15.85 | .984 | 24.99 | .143 | 3.63 | .143 | 3.63 | .195 | 4.95 | .195 | 4.95 | .242 | 6.15 | .242 | 6.15 | .438 | 11.13 | .375 | 9.53 |
| 2 | 1.706 | 43.33 | .624 | 15.85 | 1.312 | 33.32 | .188 | 4.78 | .188 | 4.78 | .256 | 6.50 | .256 | 6.50 | .480 | 12.19 | .375 | 9.53 | .688 | 17.48 | .375 | 9.53 |
| 3 | 2.265 | 57.53 | .624 | 15.85 | 1.852 | 47.04 | .245 | 6.22 | .245 | 6.22 | .550 | 13.97 | .375 | 9.53 | .780 | 19.81 | .375 | 9.53 | 1.125 | 28.58 | .375 | 9.53 |
| 4 | 2.900 | 73.66 | .624 | 15.85 | 2.500 | 63.50 | .291 | 7.39 | .291 | 7.39 | .800 | 20.32 | .375 | 9.53 | 1.260 | 32.00 | .375 | 9.53 | 1.813 | 46.05 | .375 | 9.53 |
| 5 | 2.800 | 71.12 | .750 | 19.05 | 2.406 | 61.11 | .326 | 8.28 | .326 | 8.28 | .770 | 19.56 | .485 | 12.32 | 1.250 | 31.75 | .485 | 12.32 | 1.750 | 44.45 | .485 | 12.32 |
| 6 | 2.900 | 73.66 | .844 | 21.44 | 2.500 | 63.50 | .376 | 9.55 | .376 | 9.55 | .863 | 21.92 | .550 | 13.97 | 1.323 | 33.60 | .550 | 13.97 | 1.875 | 47.63 | .550 | 13.97 |



EMI Backshell, one-piece, environmental
289S008 side entry

289S008 DIMENSIONS



CONNECTOR SHOWN FOR REF. ONLY
(SEE 280-018P & 280-019S)

E

| Dimensions | | | | | | | | | | | | | | | | | | | | | | |
|------------|-------|-------|-------|-------|---------|-------|--------------|------|------|------|--------------|-------|------|-------|--------------|-------|------|-------|--------------|-------|------|-------|
| Shell Size | A Max | | B Max | | C Basic | | Entry Size A | | | | Entry Size B | | | | Entry Size C | | | | Entry Size D | | | |
| | In. | mm | In. | mm | In. | mm | In. | mm | In. | mm | In. | mm | In. | mm | In. | mm | In. | mm | In. | mm | In. | mm |
| 1 | 1.395 | 35.43 | .624 | 15.85 | .984 | 24.99 | .143 | 3.63 | .143 | 3.63 | .195 | 4.95 | .195 | 4.95 | .242 | 6.15 | .242 | 6.15 | .438 | 11.13 | .375 | 9.53 |
| 2 | 1.706 | 43.33 | .624 | 15.85 | 1.312 | 33.32 | .188 | 4.78 | .188 | 4.78 | .256 | 6.50 | .256 | 6.50 | .480 | 12.19 | .375 | 9.53 | .688 | 17.48 | .375 | 9.53 |
| 3 | 2.265 | 57.53 | .624 | 15.85 | 1.852 | 47.04 | .245 | 6.22 | .245 | 6.22 | .550 | 13.97 | .375 | 9.53 | .780 | 19.81 | .375 | 9.53 | 1.125 | 28.58 | .375 | 9.53 |
| 4 | 2.900 | 73.66 | .624 | 15.85 | 2.500 | 63.50 | .291 | 7.39 | .291 | 7.39 | .800 | 20.32 | .375 | 9.53 | 1.260 | 32.00 | .375 | 9.53 | 1.813 | 46.05 | .375 | 9.53 |
| 5 | 2.800 | 71.12 | .750 | 19.05 | 2.406 | 61.11 | .326 | 8.28 | .326 | 8.28 | .770 | 19.56 | .485 | 12.32 | 1.250 | 31.75 | .485 | 12.32 | 1.750 | 44.45 | .485 | 12.32 |
| 6 | 2.900 | 73.66 | .844 | 21.44 | 2.500 | 63.50 | .376 | 9.55 | .376 | 9.55 | .863 | 21.92 | .550 | 13.97 | 1.323 | 33.60 | .550 | 13.97 | 1.875 | 47.63 | .550 | 13.97 |

Компания «Life Electronics» занимается поставками электронных компонентов импортного и отечественного производства от производителей и со складов крупных дистрибьюторов Европы, Америки и Азии.

С конца 2013 года компания активно расширяет линейку поставок компонентов по направлению коаксиальный кабель, кварцевые генераторы и конденсаторы (керамические, пленочные, электролитические), за счёт заключения дистрибьюторских договоров

Мы предлагаем:

- Конкурентоспособные цены и скидки постоянным клиентам.
- Специальные условия для постоянных клиентов.
- Подбор аналогов.
- Поставку компонентов в любых объемах, удовлетворяющих вашим потребностям.
- Приемлемые сроки поставки, возможна ускоренная поставка.
- Доставку товара в любую точку России и стран СНГ.
- Комплексную поставку.
- Работу по проектам и поставку образцов.
- Формирование склада под заказчика.
- Сертификаты соответствия на поставляемую продукцию (по желанию клиента).
- Тестирование поставляемой продукции.
- Поставку компонентов, требующих военную и космическую приемку.
- Входной контроль качества.
- Наличие сертификата ISO.

В составе нашей компании организован Конструкторский отдел, призванный помогать разработчикам, и инженерам.

Конструкторский отдел помогает осуществить:

- Регистрацию проекта у производителя компонентов.
- Техническую поддержку проекта.
- Защиту от снятия компонента с производства.
- Оценку стоимости проекта по компонентам.
- Изготовление тестовой платы монтаж и пусконаладочные работы.



Тел: +7 (812) 336 43 04 (многоканальный)

Email: org@lifeelectronics.ru