



FCIconnect.com

Copyright FCI.

List of "SFV__R-1/2STAE1HLF" customer document

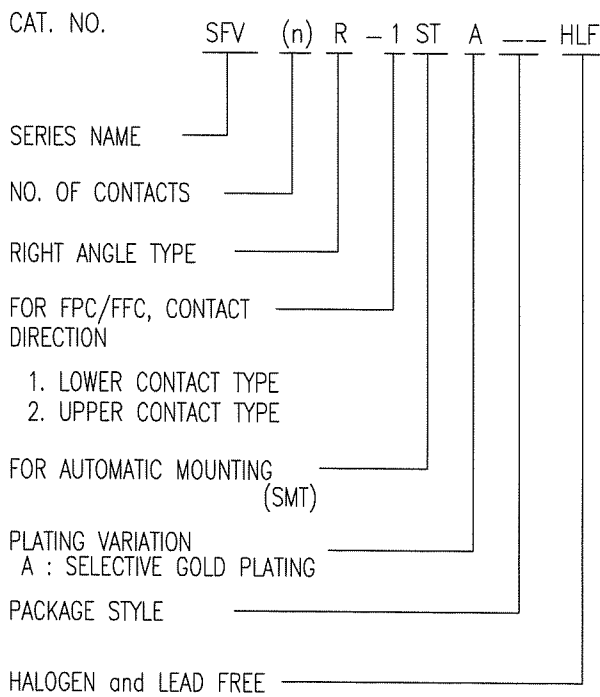
DOCUMENT NO.	LIST
SC-SFV08	SPEC.
10117077 Sheet2	CAT.NO.TABLE FOR 0.5mm CONTACT SPACING CONNECTOR (SFV__R-1/2STA_HLF)
10117077 Sheet3	CONNECTOR USED FOR FPC/FPC WITH 0.5mm CONTACT SPACING (SFV__R-1STA_HLF)
10117077 Sheet4	CONNECTOR USED FOR FPC/FPC WITH 0.5mm CONTACT SPACING (SFV__R-2STA_HLF)
10117077 Sheet5	CAT.NO.TABLE FOR PLASTIC TAPE PACKAGED 0.5mm CONTACT SPACING CONNECTOR (SFV__R-1/2STAE1HLF)
10117077 Sheet6	PLASTIC TAPE PACKAGED 0.5mm CONTACT SPACING CONNECTOR (SFV__R-1STAE1HLF)
10117077 Sheet7	PLASTIC TAPE PACKAGED 0.5mm CONTACT SPACING CONNECTOR (SFV__R-2STAE1HLF)
10117077 Sheet8	RECOMMENDED CABLE (FPC) (SFV__R-1/2STA_HLF)
10117077 Sheet9	RECOMMENDED CABLE (FPC) (SFV__R-1/2STA_HLF)
BJM-SFV101	HANDLING PROCEDURES

mat'l. code				surface ISO 1302 <input checked="" type="checkbox"/> ISO 406 ISO 1101		tolerance ISO 406 ISO 1101		projection 		product family 58EF		CODE JP	
ltr		ecn no		dr		date		tolerances unless otherwise specified		title 0.5mm SPACING FPC CONNECTOR DOCUMENT LIST (Cat. No. : SFV__R-1/2STAE1HLF)		dwg no 10117077	
A		J11-0017		S.W		2011-1-20		linear					
sheet index		revision sheet		dr		engr		chr		appd		size	
1		2		S. Wether		2011-1-20		S. Wether		2011-1-20		A4	
3		4		V. Kamide		2011-1-20		Jan 24/11		type		Product Customer Drawing	
5		6		7		8		9		Rev.		A	

form: A4

CAT. NO. & DIMENSIONS

NO. OF CONTACTS (n)	CAT. NO.	DIMENSIONS (NOTE2)			
		A ± 0.2	B ± 0.2	C ± 0.1	D ± 0.1
4	SFV4R-1/2STA__HLF	7.5	5.9	1.5	2.7
5	SFV5R-1/2STA__HLF	8.0	6.4	2.0	3.2
6	SFV6R-1/2STA__HLF	8.5	6.9	2.5	3.7
7	SFV7R-1/2STA__HLF	9.0	7.4	3.0	4.2
8	SFV8R-1/2STA__HLF	9.5	7.9	3.5	4.7
9	SFV9R-1/2STA__HLF	10.0	8.4	4.0	5.2
10	SFV10R-1/2STA__HLF	10.5	8.9	4.5	5.7
11	SFV11R-1/2STA__HLF	11.0	9.4	5.0	6.2
12	SFV12R-1/2STA__HLF	11.5	9.9	5.5	6.7
13	SFV13R-1/2STA__HLF	12.0	10.4	6.0	7.2
14	SFV14R-1/2STA__HLF	12.5	10.9	6.5	7.7
15	SFV15R-1/2STA__HLF	13.0	11.4	7.0	8.2
16	SFV16R-1/2STA__HLF	13.5	11.9	7.5	8.7
17	SFV17R-1/2STA__HLF	14.0	12.4	8.0	9.2
18	SFV18R-1/2STA__HLF	14.5	12.9	8.5	9.7
19	SFV19R-1/2STA__HLF	15.0	13.4	9.0	10.2
20	SFV20R-1/2STA__HLF	15.5	13.9	9.5	10.7
21	SFV21R-1/2STA__HLF	16.0	14.4	10.0	11.2
22	SFV22R-1/2STA__HLF	16.5	14.9	10.5	11.7
23	SFV23R-1/2STA__HLF	17.0	15.4	11.0	12.2
24	SFV24R-1/2STA__HLF	17.5	15.9	11.5	12.7
25	SFV25R-1/2STA__HLF	18.0	16.4	12.0	13.2
26	SFV26R-1/2STA__HLF	18.5	16.9	12.5	13.7
27	SFV27R-1/2STA__HLF	19.0	17.4	13.0	14.2
28	SFV28R-1/2STA__HLF	19.5	17.9	13.5	14.7
29	SFV29R-1/2STA__HLF	20.0	18.4	14.0	15.2
30	SFV30R-1/2STA__HLF	20.5	18.9	14.5	15.7
31	SFV31R-1/2STA__HLF	21.0	19.4	15.0	16.2
32	SFV32R-1/2STA__HLF	21.5	19.9	15.5	16.7
33	SFV33R-1/2STA__HLF	22.0	20.4	16.0	17.2
34	SFV34R-1/2STA__HLF	22.5	20.9	16.5	17.7
35	SFV35R-1/2STA__HLF	23.0	21.4	17.0	18.2



NOTES

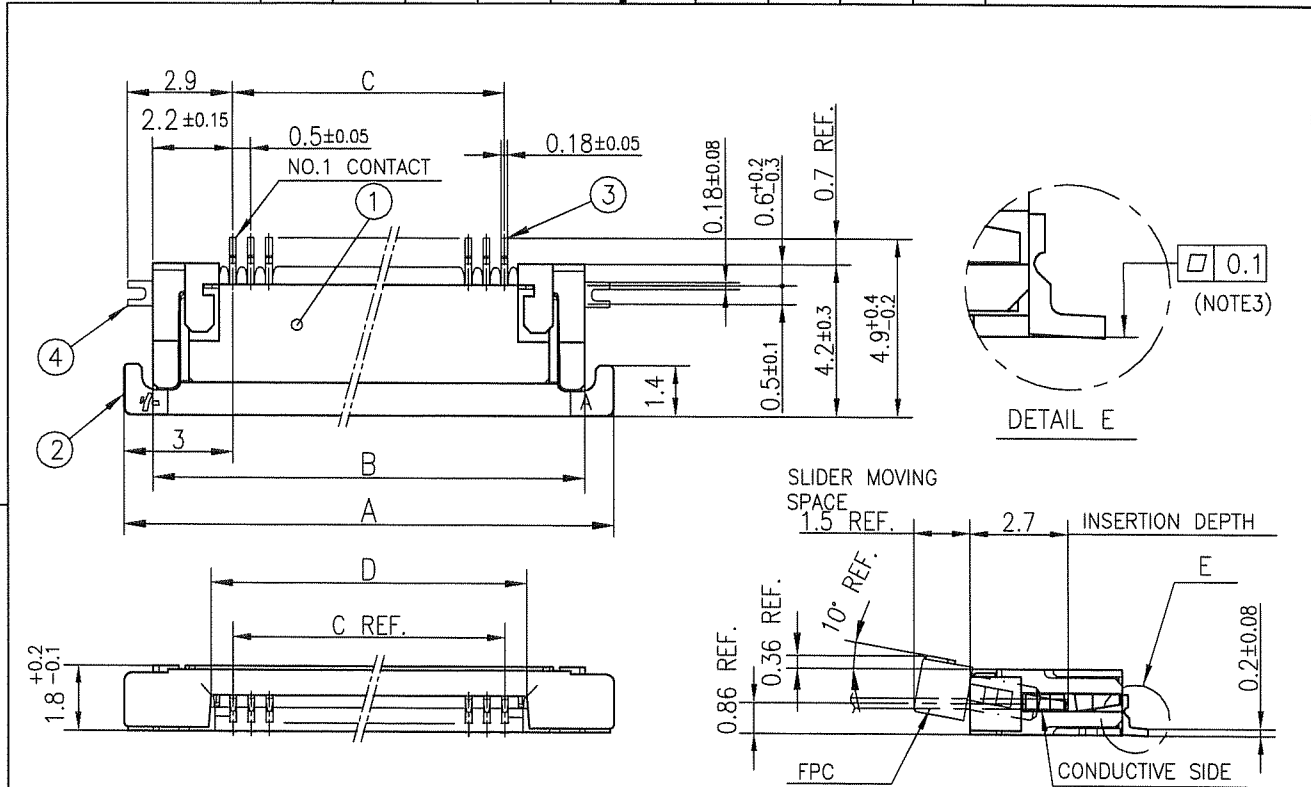
1. THIS PRODUCT IS THE CONNECTOR USED FOR FPC AND COPES WITH AUTOMATIC MOUNTING (SMT).
2. SEE PART DRAWINGS FOR DIMENSIONS A~D.



FCIconnect.com

Copyright FCI.

mat'l. code		surface ISO 1302 <input checked="" type="checkbox"/> tolerance ISO 406 ISO 1101		projection		product family 58EF		CODE JP	
ltr		ecn no		dr		date		tolerances unless otherwise specified	
A								angles linear	
								mm	
								scale X	
				dr		2011-1-20		title	
				enrg		2011-1-20		CAT. NO. TABLE FOR 0.5 mm CONTACT SPACING CONNECTOR (Cat. No. : SFV__R-1/2STA__HLF)	
				chr		2011-1-20		dwg no	
				appd		Jan 14 11		sheet 2 of 9	
								size A4	
								10117077	
								type Product Customer Drawing	
sheet index		revision sheet						Rev. A	

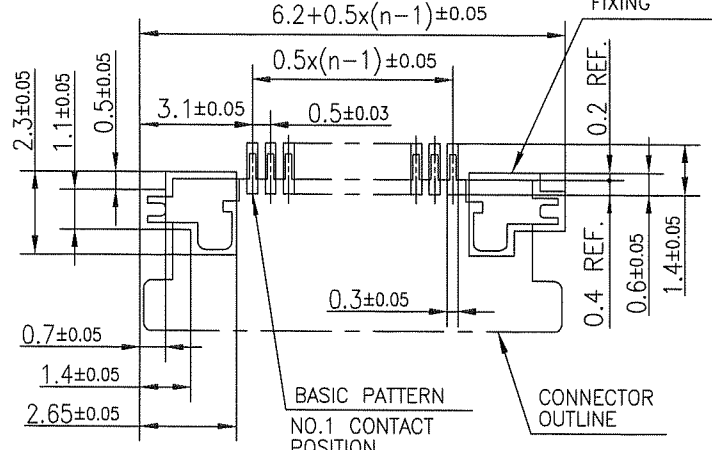


PT. NO.	PARTS NAME	MATERIAL	Q'TY	NOTE
1	HOUSING	13~35pin : LCP RESIN GLASS REINFORCED (UL94V-0)	1	COLOR : BLACK (HALOGEN FREE)
		4~12pin : POLYAMIDE RESIN GLASS REINFORCED (UL94V-0)		
2	SLIDER	PPS RESIN GLASS REINFORCED (UL94V-0)	1	COLOR : BLACK (HALOGEN FREE)
3	CONTACT	PHOSPHOR BRONZE	n	PLATING : CONTACT AREA GOLD TERMINAL AREA MATTE TIN
4	MOUNTING PLATE		2	PLATING : MATTE TIN

n : NO. OF CONTACTS

RECOMMENDED PC BOARD LAYOUT
(COMPONENT SIDE)

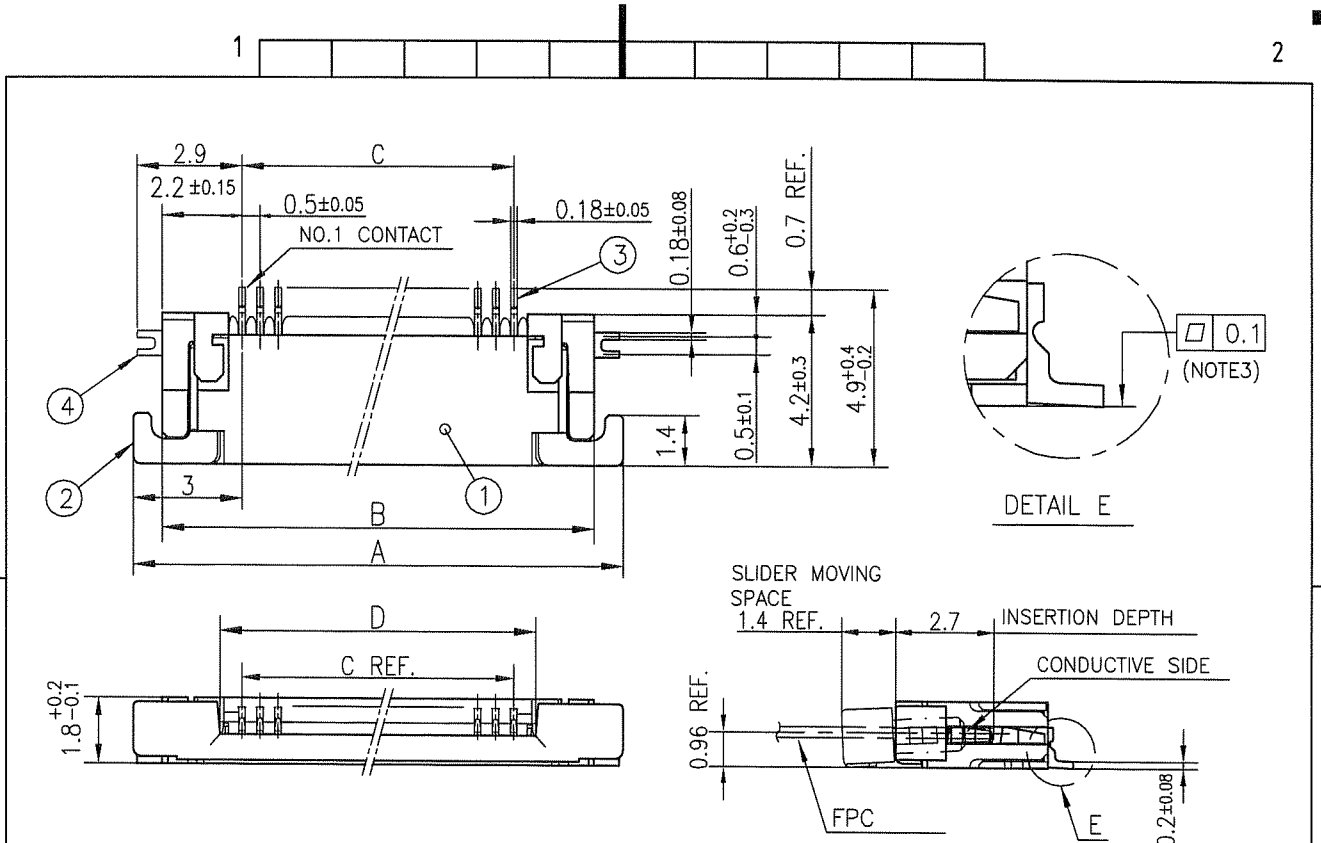
PATTERN FOR MOUNTING PLATE
FIXING



- NOTES
- 1.THIS PRODUCT IS THE CONNECTOR USED FOR FPC AND COPES WITH AUTOMATIC MOUNTING (SMT).
 - 2.THIS PRODUCT IS LOWER CONTACT TYPE CONNECTOR.
 - 3.FLATNESS OF CONTACT TERMINAL AND MOUNTING PLATE MUST BE WITHIN TOLERANCE IN E PORTION DETAILED DRAWING.
 - 4.THIS PRODUCT MEETS EUROPEAN UNION DIRECTIVES AND OTHER COUNTRY REGULATIONS AS DESCRIBED IN GS-22-008.
 - 5.THE HOUSING WILL WITHSTAND EXPOSURE TO 260°C PEAK TEMPERATURE FOR 10 SECONDS IN A REFLOW SOLDERING OVEN.

mat'l. code		surface ISO 1302 <input checked="" type="checkbox"/> ISO 406 ISO 1101		tolerance ISO 406 ISO 1101		projection		product family 58EF		CODE JP	
ltr		ecn no		dr		date		tolerances unless otherwise specified		title	
A								±0.2		CONNECTOR USED FOR FPC WITH 0.5 mm CONTACT SPACING (Cat No. : SFV__R-1STA__HLF)	
				angles		linear		mm		scale	
								X		dwg no	
				dr		S. Watanabe 2011-1-20				sheet 3 of 9	
				enrg		S. Watanabe 2011-1-20				size	
				chr		Y. Yamada 2011-1-20				A4	
				appd		M. Ueda Jun 14/11				10117077	
sheet index		revision sheet						type		Product Customer Drawing	
										Rev. A	

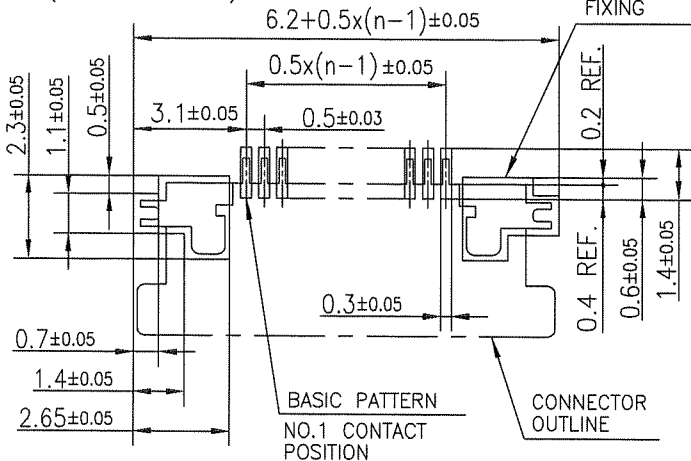
Copyright FCI.
 FCIconnect.com



PT. NO.	PARTS NAME	MATERIAL	Q'TY	NOTE
1	HOUSING	13~35pin : LCP RESIN GLASS REINFORCED (UL94V-0)	1	COLOR : BLACK (HALOGEN FREE)
		4~12pin : POLYAMIDE RESIN GLASS REINFORCED (UL94V-0)		
2	SLIDER	PPS RESIN GLASS REINFORCED (UL94V-0)	1	COLOR : BLACK (HALOGEN FREE)
3	CONTACT	PHOSPHOR BRONZE	n	PLATING : CONTACT AREA GOLD TERMINAL AREA MATTE TIN
4	MOUNTING PLATE		2	PLATING : MATTE TIN

n : NO. OF CONTACTS

RECOMMENDED PC BOARD LAYOUT
(COMPONENT SIDE)



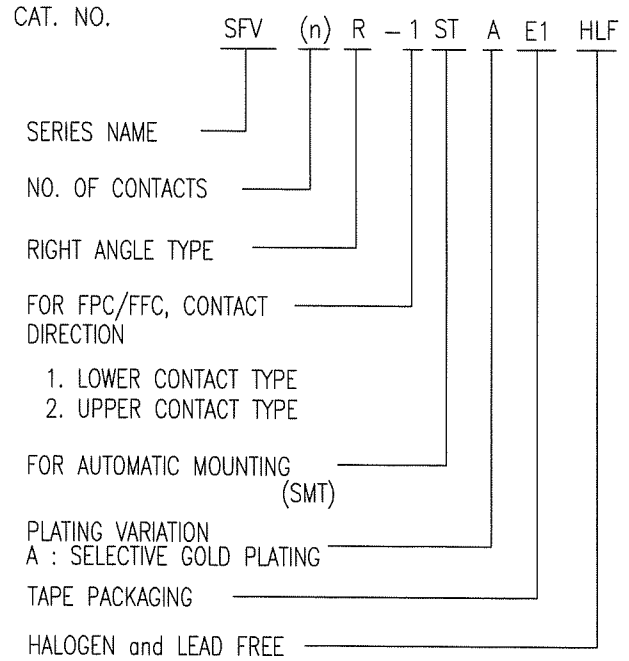
NOTES

1. THIS PRODUCT IS THE CONNECTOR USED FOR FPC AND COPS WITH AUTOMATIC MOUNTING (SMT).
2. THIS PRODUCT IS UPPER CONTACT TYPE CONNECTOR.
3. FLATNESS OF CONTACT TERMINAL AND MOUNTING PLATE MUST BE WITHIN TOLERANCE IN E PORTION DETAILED DRAWING.
4. THIS PRODUCT MEETS EUROPEAN UNION DIRECTIVES AND OTHER COUNTRY REGULATIONS AS DESCRIBED IN GS-22-008.
5. THE HOUSING WILL WITHSTAND EXPOSURE TO 260°C PEAK TEMPERATURE FOR 10 SECONDS IN A REFLOW SOLDERING OVEN.

mat'l. code		surface ISO 1302 ✓ tolerance ISO 406 ISO 1101		projection mm		product family 58EF		CODE JP	
ltr		ecn no		dr		date		title CONNECTOR USED FOR FPC WITH 0.5 mm CONTACT SPACING (Cat. No. : SFV__R-2STA__HLF)	
A								dwg no 10117077	
sheet index		revision sheet		dr		engr		type Product Customer Drawing	
				chr		appd		sheet 4 of 9 size A4	
				Jan 24 11		Jan 24 11		Rev. A	

CAT. NO. & DIMENSIONS

NO. OF CONTACTS (n)	CAT. NO.	DIMENSIONS (NOTE3)		
		F ± 5	G ± 0.3	H ± 0.1
4	SFV4R-1/2STAE1HLF	20.4	16	—
5	SFV5R-1/2STAE1HLF	20.4	16	—
6	SFV6R-1/2STAE1HLF	20.4	16	—
7	SFV7R-1/2STAE1HLF	28.4	24	—
8	SFV8R-1/2STAE1HLF	28.4	24	—
9	SFV9R-1/2STAE1HLF	28.4	24	—
10	SFV10R-1/2STAE1HLF	28.4	24	—
11	SFV11R-1/2STAE1HLF	28.4	24	—
12	SFV12R-1/2STAE1HLF	28.4	24	—
13	SFV13R-1/2STAE1HLF	28.4	24	—
14	SFV14R-1/2STAE1HLF	28.4	24	—
15	SFV15R-1/2STAE1HLF	28.4	24	—
16	SFV16R-1/2STAE1HLF	28.4	24	—
17	SFV17R-1/2STAE1HLF	28.4	24	—
18	SFV18R-1/2STAE1HLF	28.4	24	—
19	SFV19R-1/2STAE1HLF	28.4	24	—
20	SFV20R-1/2STAE1HLF	28.4	24	—
21	SFV21R-1/2STAE1HLF	28.4	24	—
22	SFV22R-1/2STAE1HLF	28.4	24	—
23	SFV23R-1/2STAE1HLF	36.4	32	28.4
24	SFV24R-1/2STAE1HLF	36.4	32	28.4
25	SFV25R-1/2STAE1HLF	36.4	32	28.4
26	SFV26R-1/2STAE1HLF	36.4	32	28.4
27	SFV27R-1/2STAE1HLF	36.4	32	28.4
28	SFV28R-1/2STAE1HLF	36.4	32	28.4
29	SFV29R-1/2STAE1HLF	36.4	32	28.4
30	SFV30R-1/2STAE1HLF	36.4	32	28.4
31	SFV31R-1/2STAE1HLF	48.4	44	40.4
32	SFV32R-1/2STAE1HLF	48.4	44	40.4
33	SFV33R-1/2STAE1HLF	48.4	44	40.4
34	SFV34R-1/2STAE1HLF	48.4	44	40.4
35	SFV35R-1/2STAE1HLF	48.4	44	40.4



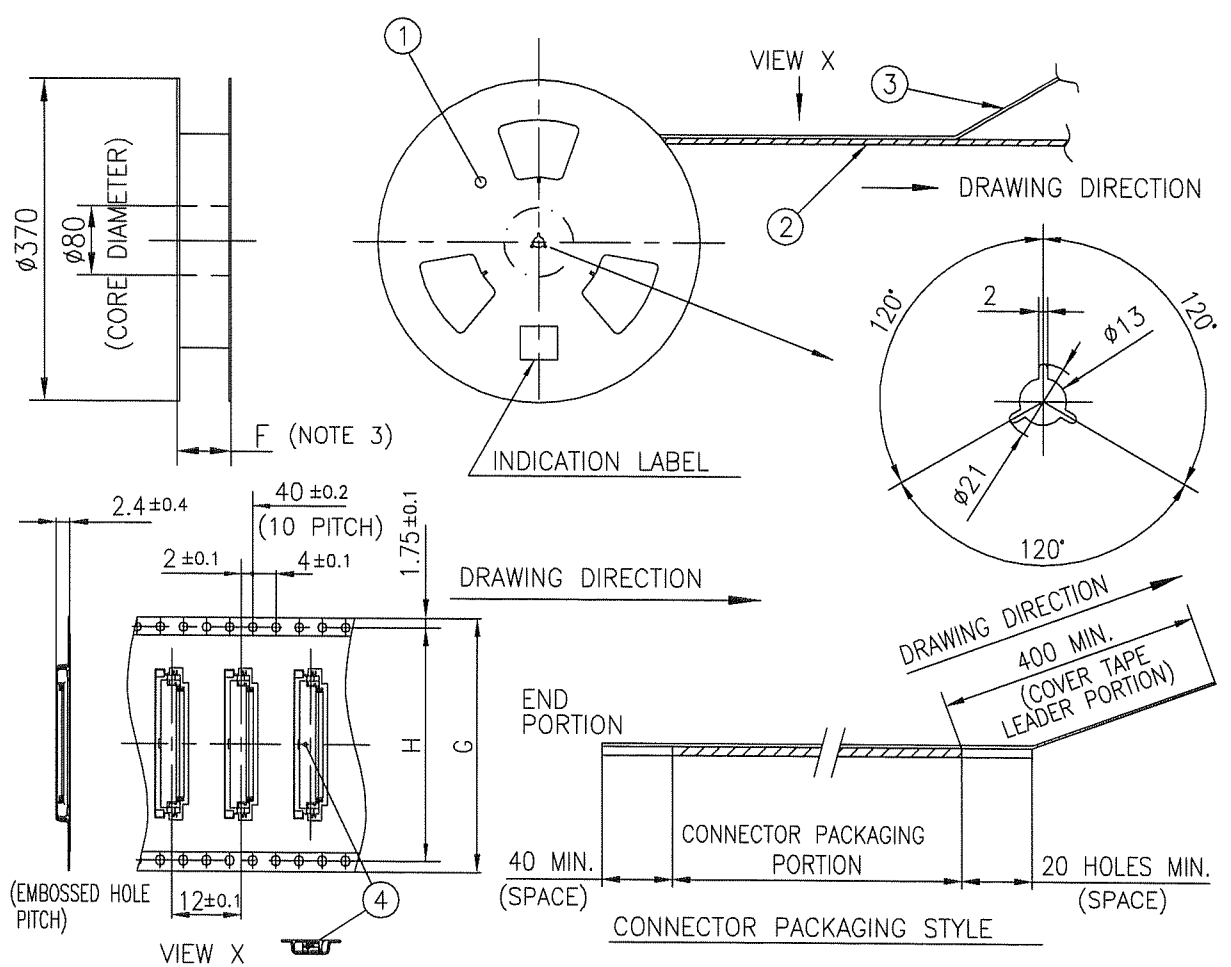
- NOTES
1. THIS PRODUCT IS THE CONNECTOR USED FOR FPC AND COPES WITH AUTOMATIC MOUNTING (SMT).
 2. THIS CATALOG NO. INDICATES PLASTIC TAPE PACKAGED CONNECTOR.
 3. SEE PART DRAWINGS FOR DIMENSIONS F~H.



FCIconnect.com

Copyright FCI.

mat'l. code			surface ISO 1302 <input checked="" type="checkbox"/> ISO 406 ISO 1101		tolerance ISO 406 ISO 1101		projection 		product family 58EF		CODE JP	
ltr			ecn no		dr		date		title CAT. NO. TABLE FOR PLASTIC TAPE PACKAGED 0.5 mm CONTACT SPACING CONNECTOR (Cat. No. : SFV__R-1/2STAE1HLF)		sheet 5 of 9	
A									mm		size A4	
			angles		linear		scale \times		dwg no 10117077		type Product Customer Drawing	
			dr		S. W. H. 2011-1-20		engr		S. W. H. 2011-1-20		appd	
			chr		S. W. H. 2011-1-20		appd		M. J. M. 2011-1-20		Rev. A	
sheet index			revision sheet									



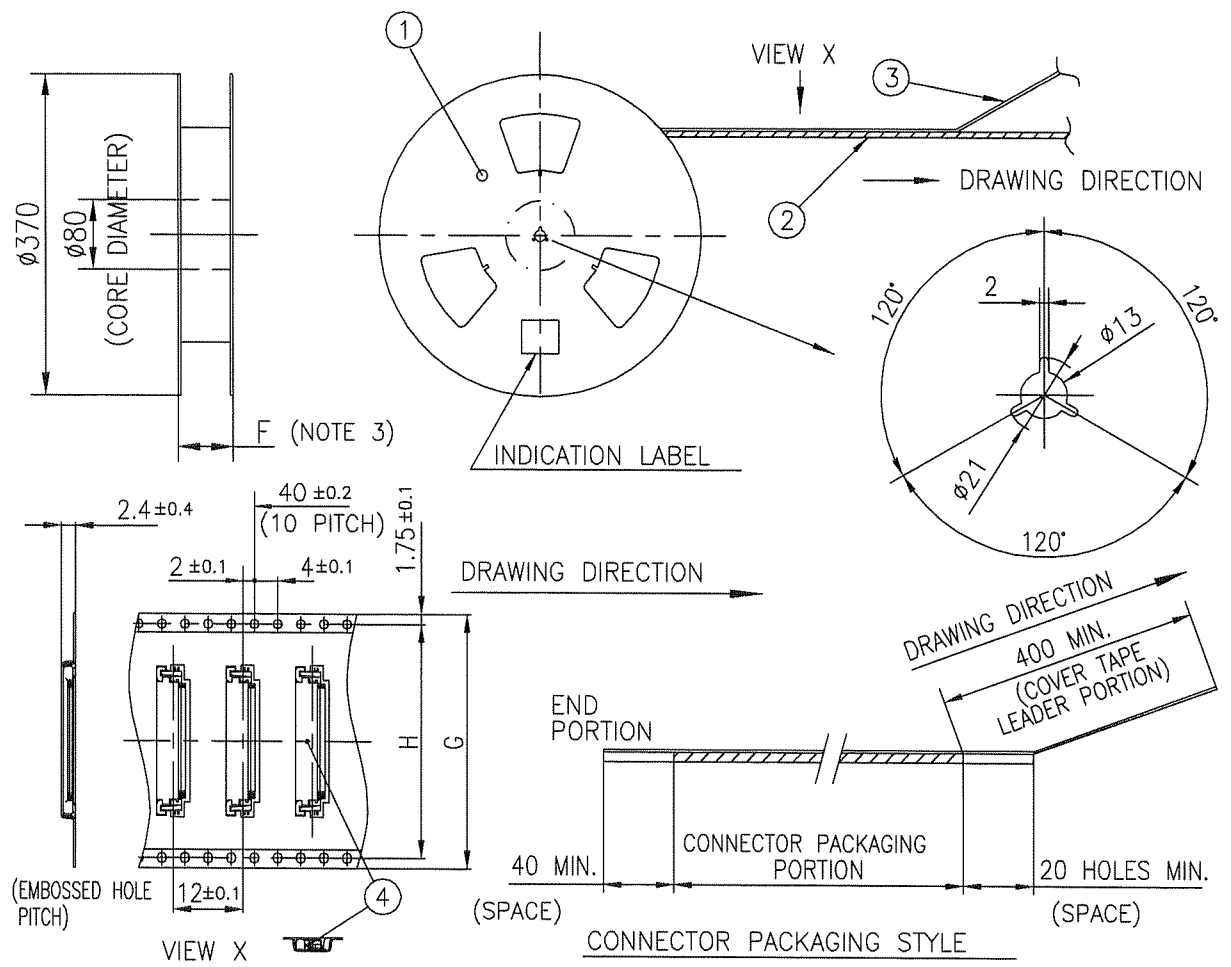
PT. NO.	PARTS NAME	CAT. NO.	MATERIAL	Q'TY	NOTE
1	REEL	_____	CARDBOARD	1	COLOR : WHITE
2	PLASTIC (EMBOSS) TAPE	_____	A-PET	_____	COLOR : TRANSPARENCY
3	COVER	_____	POLYESTER	_____	COLOR : TRANSPARENCY
4	CONNECTOR	SFV__R-1STA__HLF	SEE ATTACHED DWG.	3000	LOWER CONTACT TYPE

- NOTES
- THIS IS PLASTIC TAPE PACKAGED CONNECTOR USED FOR FPC AND COPES WITH AUTOMATIC MOUNTING (SMT).
 - SEE JIS C 0806 (PACKING OF ELECTRONIC COMPONENTS ON CONTINUOUS TAPES (SURFACE MOUNTING DEVICES)) FOR SHAPE AND DIMENSIONS OF PLASTIC (EMBOSS) TAPE AND REEL.
 - F DIMENSION IS PORTION OF THE CORE.

mat'l. code		surface 58 / tolerance ISO 1302 / ISO 406 / ISO 1101		projection		product family 58EF		CODE JP	
ltr		ecn no dr date		tolerances unless otherwise specified		title		dwg no	
A				angles linear ±5		PLASTIC TAPE PACKAGED 0.5 mm CONTACT SPACING CONNECTOR (Cat. No. : SFV__R-1STAE1HLF)		sheet 6 of 9	
				±5'		scale X		size	
		dr S. Nishida 2011-1-20				FCI		10117077	
		enr S. Nishida 2011-1-20						A4	
		chr Y. Yamada 2011-1-20							
		appd M. Kim Jan 24/11							
sheet index		revision sheet				type Product Customer Drawing		Rev. A	



Copyright FCI.



PT. NO.	PARTS NAME	CAT. NO.	MATERIAL	Q'TY	NOTE
1	REEL	_____	CARDBOARD	1	COLOR : WHITE
2	PLASTIC (EMBOSS) TAPE	_____	A-PET	_____	COLOR : TRANSPARENCY
3	COVER	_____	POLYESTER	_____	COLOR : TRANSPARENCY
4	CONNECTOR	SFV__R-2STA_HLF	SEE ATTACHED DWG.	3000	UPPER CONTACT TYPE

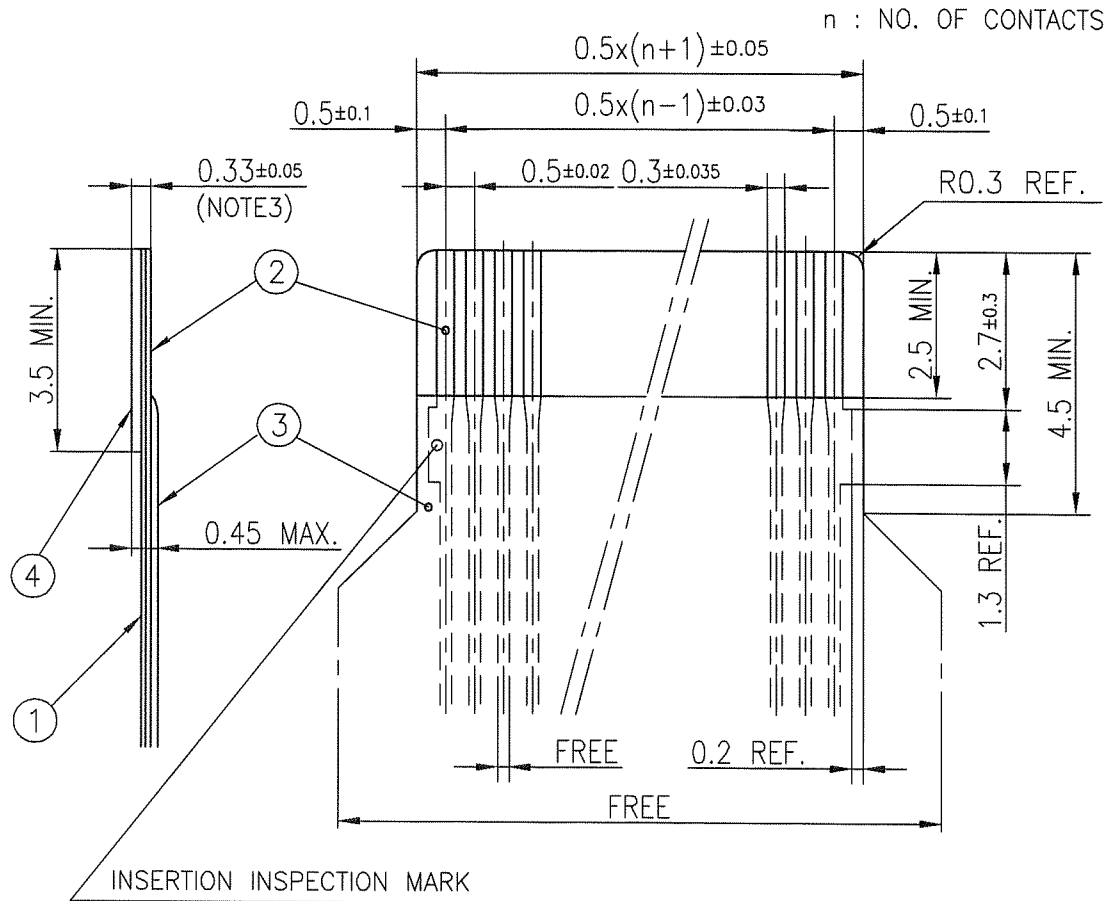
- NOTES
- THIS IS PLASTIC TAPE PACKAGED CONNECTOR USED FOR FPC AND COPEs WITH AUTOMATIC MOUNTING (SMT).
 - SEE JIS C 0806 (PACKING OF ELECTRONIC COMPONENTS ON CONTINUOUS TAPES (SURFACE MOUNTING DEVICES)) FOR SHAPE AND DIMENSIONS OF PLASTIC (EMBOSS) TAPE AND REEL.
 - F DIMENSION IS PORTION OF THE CORE.

mat'l. code		surface ISO 1302 <input checked="" type="checkbox"/>		tolerance ISO 406 <input checked="" type="checkbox"/>		projection		product family 58EF		CODE JP	
ltr		ecn no		dr		date		tolerances unless otherwise specified		title	
A								±5		PLASTIC TAPE PACKAGED 0.5 mm CONTACT SPACING CONNECTOR (Cat. No. : SFV__R-2STAE1HLF)	
				angles		linear		mm		scale X	
				±5'						dwg no	
				dr		2011-1-20		sheet 7 of 9		size	
				enr		2011-1-20		10117077		A4	
				chr		2011-1-20		type		Product Customer Drawing	
				appd		Jan 24/11					
sheet index		revision sheet								Rev. A	



Copyright FCI.

RECOMMENDED CABLE (FPC)



PT. NO.	PARTS NAME	MATERIAL	THICKNESS (°m)
1	BASE FILM	POLYIMIDE OR POLYESTER OR EQUAL	25
2	CONDUCTOR	COPPER FOIL(PLATING : GOLD)	35
3	OVERLAY	POLYIMIDE OR POLYESTER OR EQUAL	—
4	SUPPORTING TAPE	POLYESTER OR POLYIMIDE OR EQUAL	188

NOTES

1. NO BURR AT EACH PORTION.
2. NO PEELING IN COMMON USE.
3. TOTAL THICKNESS LIMIT OF EACH MATERIAL (INCLUDING ADHESIVE AGENT) IS SPECIFIED.

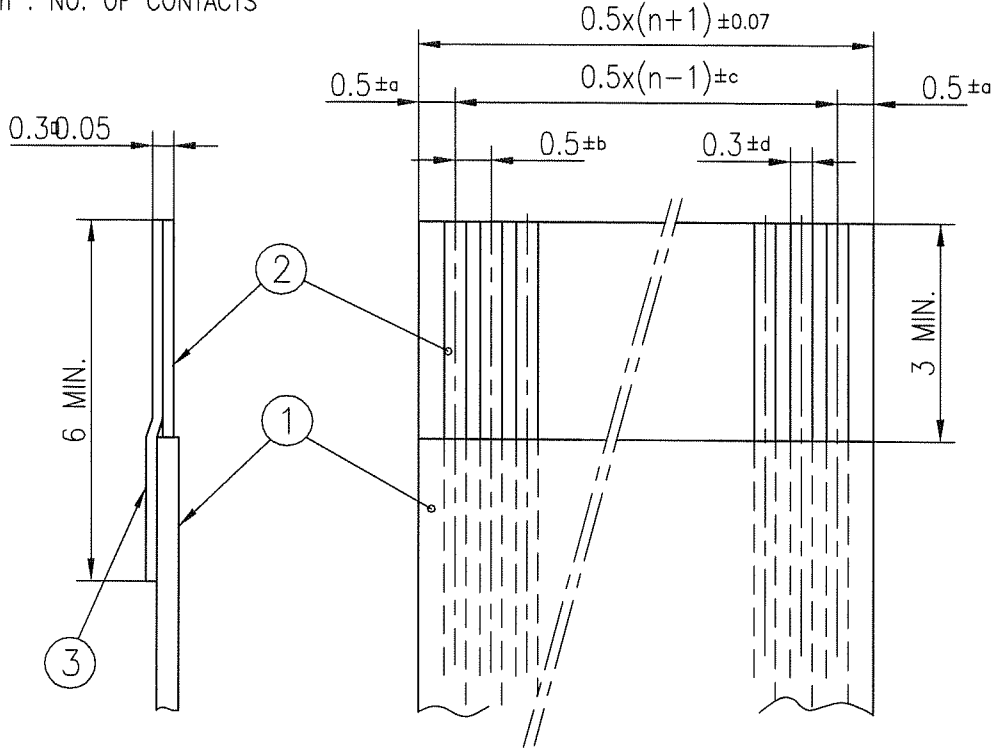
mat'l. code		surface ISO 1302 <input checked="" type="checkbox"/>		tolerance ISO 406 <input checked="" type="checkbox"/>		projection		product family 58EF		CODE JP	
ltr		ecn no		dr		date		tolerances unless otherwise specified		title	
A								angles linear		RECOMMENDED CABLE (Cat. No. : SFV__R-1/2STA__HLF)	
								mm		scale X	
				dr		2011-1-20		FCCI		dwg no sheet 8 of 9 size	
				enr		2011-1-20				10117077 A4	
				chr		2011-1-20				type Product Customer Drawing	
				appd		Jm24/11					
sheet index		revision sheet								Rev. A	



Copyright FCI.

RECOMMENDED CABLE (FFC)

n : NO. OF CONTACTS



KIND OF FFC (NOTE3)	DIMENSIONAL TOLERANCE			
	a	b	c	d
1	±0.07	±0.04	±0.05	±0.02
2	±0.1	±0.03	±0.03	±0.025

PT. NO.	PARTS NAME	MATERIAL
1	INSULATOR	FLAME RESISTING POLYESTER OR EQUAL
2	CONDUCTOR	COPPER FOIL (PLATING : GOLD)
3	SUPPORTING TAPE	FLAME RESISTING POLYESTER OR EQUAL

NOTES

1. NO BURR AT EACH PORTION.
2. NO PEELING IN COMMON USE.
3. EITHER KIND1 OR KIND2 OF FFC CAN ACCEPT DIMENSIONAL TOLERANCE a,b,c AND d.

mat'l. code		surface ISO 1302 <input checked="" type="checkbox"/> ISO 406 <input type="checkbox"/> ISO 1101 <input type="checkbox"/>		tolerance <input checked="" type="checkbox"/> ISO 406 <input type="checkbox"/> ISO 1101		projection		product family 58EF		CODE JP	
ltr		ecn no		dr		date		title			
A								RECOMMENDED CABLE (Cat. No. : SFV__R-1/2STA__HLF)			
				angles		linear		scale X			
				dr		S. Watabe 2011-1-20		dwg no		sheet 9 of 9 size	
				enrg		S. Watabe 2011-1-20		10117077		A4	
				chr		S. Komatsu 2011-1-20		type Product Customer Drawing			
				appd		M. Chino Jan 24/11					
sheet index		revision sheet								Rev. A	



FCIconnect.com

Copyright FCI.

Компания «Life Electronics» занимается поставками электронных компонентов импортного и отечественного производства от производителей и со складов крупных дистрибьюторов Европы, Америки и Азии.

С конца 2013 года компания активно расширяет линейку поставок компонентов по направлению коаксиальный кабель, кварцевые генераторы и конденсаторы (керамические, пленочные, электролитические), за счёт заключения дистрибьюторских договоров

Мы предлагаем:

- Конкурентоспособные цены и скидки постоянным клиентам.
- Специальные условия для постоянных клиентов.
- Подбор аналогов.
- Поставку компонентов в любых объемах, удовлетворяющих вашим потребностям.
- Приемлемые сроки поставки, возможна ускоренная поставка.
- Доставку товара в любую точку России и стран СНГ.
- Комплексную поставку.
- Работу по проектам и поставку образцов.
- Формирование склада под заказчика.
- Сертификаты соответствия на поставляемую продукцию (по желанию клиента).
- Тестирование поставляемой продукции.
- Поставку компонентов, требующих военную и космическую приемку.
- Входной контроль качества.
- Наличие сертификата ISO.

В составе нашей компании организован Конструкторский отдел, призванный помогать разработчикам, и инженерам.

Конструкторский отдел помогает осуществить:

- Регистрацию проекта у производителя компонентов.
- Техническую поддержку проекта.
- Защиту от снятия компонента с производства.
- Оценку стоимости проекта по компонентам.
- Изготовление тестовой платы монтаж и пусконаладочные работы.



Тел: +7 (812) 336 43 04 (многоканальный)

Email: org@lifeelectronics.ru