



## Main

Range of product	OsiSense XU
Series name	Application material handling
Electronic sensor type	Photo-electric sensor
Sensor name	XU2
Sensor design	Cylindrical M18
Detection system	Thru beam
Material	Metal
Line of sight type	Axial
Type of output signal	Analogue Discrete
Supply circuit type	DC
Wiring technique	3-wire
Discrete output type	PNP
Discrete output function	1 NO
Analogue output range	4...20 mA
Electrical connection	1 male connector M12, 4 pins
Product specific application	-
Emission	Infrared thru beam
[Sn] nominal sensing distance	164.04 ft (50 m) thru beam

## Complementary

Enclosure material	Nickel plated brass
Lens material	PMMA
Maximum sensing distance	229.66 ft (70 m)
Output type	Solid state
Add on output	With analogue output
Add on input	Breaking test (transmitter)
Status LED	1 LED (green) supply on 1 LED (yellow) operation
[Us] rated supply voltage	12...24 V DC with reverse polarity protection
Supply voltage limits	10...30 V DC
Switching capacity in mA	<= 100 mA (overload and short-circuit protection)
Switching frequency	<= 30 Hz
Voltage drop	<= 1.5 V (closed state)
Current consumption	<= 55 mA (no-load)
Delay first up	<= 50 ms
Delay response	<= 15 ms
Delay recovery	<= 15 ms
Setting-up	Sensitivity adjustment
Diameter	0.71 in (18 mm)
Length	3.74 in (95 mm)
Product weight	0.34 lb(US) (0.155 kg)
Kit composition	Transmitter + receiver

## Environment

product certifications	CE CSA UL
ambient air temperature for operation	-13...131 °F (-25...55 °C)

The information provided in this documentation contains general descriptions and/or technical characteristics of the products contained herein. This documentation is not intended as a substitute for and is not to be used for determining suitability or reliability of these products for specific user applications. It is the duty of any such user or integrator to perform the appropriate and complete risk analysis, evaluation and testing of the products with respect to the relevant specific application or use thereof. Neither Schneider Electric Industries SAS nor any of its affiliates or subsidiaries shall be responsible or liable for misuse of the information contained herein.

ambient air temperature for storage	-40...158 °F (-40...70 °C)
vibration resistance	25 gn, amplitude = +/- 2 mm (f = 10...55 Hz) conforming to IEC 60068-2-6
shock resistance	30 gn (duration = 11 ms) conforming to IEC 60068-2-27
IP degree of protection	IP67 conforming to IEC 60529

## Offer Sustainability

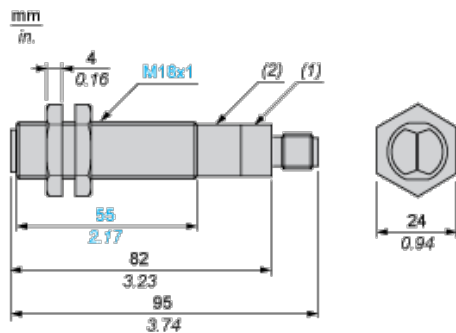
Not Green Premium product	Not Green Premium product
Compliant - since 0924 - Schneider Electric declaration of conformity	Compliant - since 0924 - Schneider Electric declaration of conformity
Reference not containing SVHC above the threshold	Reference not containing SVHC above the threshold
WARNING: This product can expose you to chemicals including:	WARNING: This product can expose you to chemicals including:
Diisononyl phthalate (DINP), which is known to the State of California to cause cancer, and	Diisononyl phthalate (DINP), which is known to the State of California to cause cancer, and
Di-isodecyl phthalate (DIDP), which is known to the State of California to cause birth defects or other reproductive harm.	Di-isodecyl phthalate (DIDP), which is known to the State of California to cause birth defects or other reproductive harm.
For more information go to <a href="http://www.p65warnings.ca.gov">www.p65warnings.ca.gov</a>	For more information go to <a href="http://www.p65warnings.ca.gov">www.p65warnings.ca.gov</a>

## Contractual warranty

Warranty period	18 months
-----------------	-----------

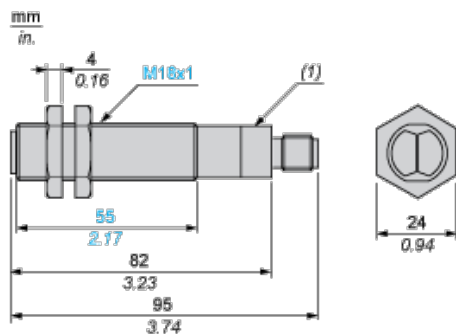
## Dimensions

### Receiver dimensions



- (1) LEDs
- (2) Potentiometer

### Transmitter dimensions



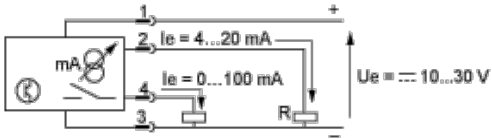
- (1) LEDs

## Mounting and Clearance

Fixing nut tightening torque: 15 N.m  
Connector tightening torque: 2 N.m

## Wiring Schemes

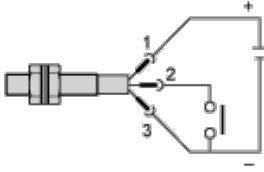
## Receiver



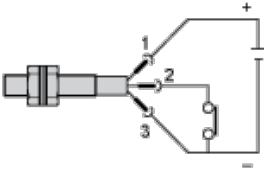
$R_{max.} < 800 \Omega$  ( $U_e = 24 V$ ),  $< 300 \Omega$  ( $U_e = 12 V$ )

## Beam Break Test (only on Transmitter)

Beam made

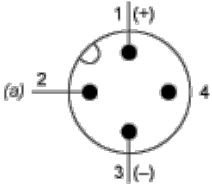


Beam broken



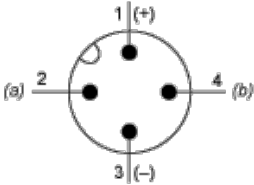
## Sensor Connector Pin View

Transmitter



(a) Test

Receiver

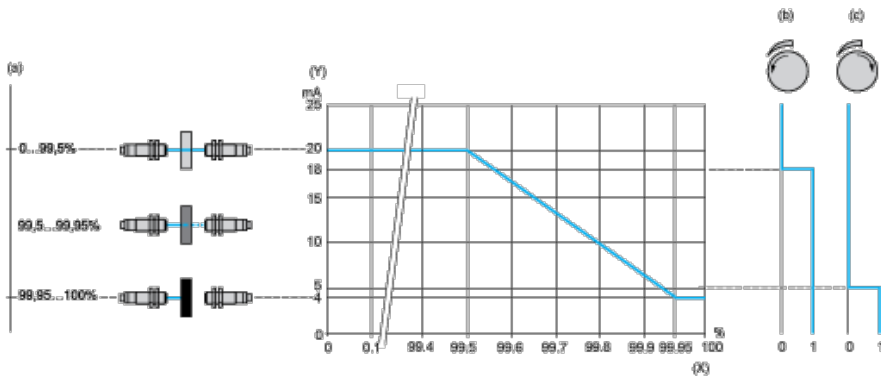


(a) Analogue output

(b) Solid-state output

## Operation, Settings

Type, opacity of object Analogue output curve Switching level of digital solid-state PNP output



(a) Degree of opacity of object

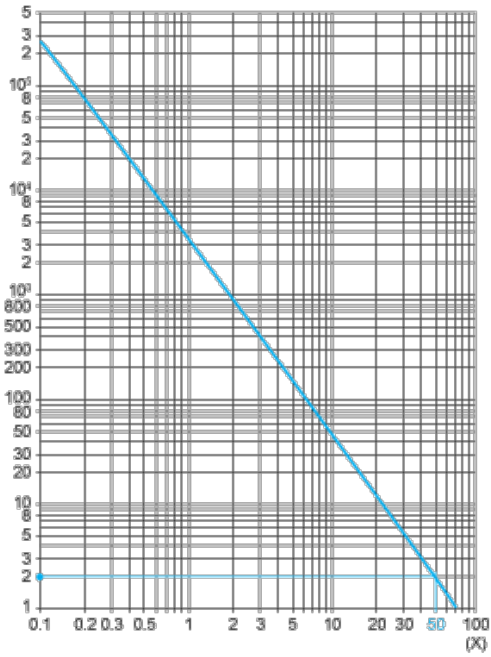
(b) Potentiometer set at minimum

(c) Potentiometer set at maximum

(y) Output current

(x) Degree of opacity of object

Type, opacity of object Analogue output curve Switching level of digital solid-state PNP output



- (a) Degree of opacity of object
- (b) Potentiometer set at minimum
- (c) Potentiometer set at maximum
- (y) Output current
- (x) Degree of opacity of object

Компания «Life Electronics» занимается поставками электронных компонентов импортного и отечественного производства от производителей и со складов крупных дистрибьюторов Европы, Америки и Азии.

С конца 2013 года компания активно расширяет линейку поставок компонентов по направлению коаксиальный кабель, кварцевые генераторы и конденсаторы (керамические, пленочные, электролитические), за счёт заключения дистрибьюторских договоров

Мы предлагаем:

- Конкурентоспособные цены и скидки постоянным клиентам.
- Специальные условия для постоянных клиентов.
- Подбор аналогов.
- Поставку компонентов в любых объемах, удовлетворяющих вашим потребностям.
- Приемлемые сроки поставки, возможна ускоренная поставка.
- Доставку товара в любую точку России и стран СНГ.
- Комплексную поставку.
- Работу по проектам и поставку образцов.
- Формирование склада под заказчика.
- Сертификаты соответствия на поставляемую продукцию (по желанию клиента).
- Тестирование поставляемой продукции.
- Поставку компонентов, требующих военную и космическую приемку.
- Входной контроль качества.
- Наличие сертификата ISO.

В составе нашей компании организован Конструкторский отдел, призванный помогать разработчикам, и инженерам.

Конструкторский отдел помогает осуществить:

- Регистрацию проекта у производителя компонентов.
- Техническую поддержку проекта.
- Защиту от снятия компонента с производства.
- Оценку стоимости проекта по компонентам.
- Изготовление тестовой платы монтаж и пусконаладочные работы.



Тел: +7 (812) 336 43 04 (многоканальный)

Email: [org@lifeelectronics.ru](mailto:org@lifeelectronics.ru)