

# MAX3949

## 11.3Gbps, Low-Power, AC-Coupled Laser Driver

### General Description

The MAX3949 is a 3.3V, multirate, low-power laser diode driver designed for Ethernet, Fibre Channel, and SONET transmission systems at data rates up to 11.3Gbps. This device is optimized to drive a differential transmitter optical subassembly (TOSA) with a 25 $\Omega$  flex circuit. The unique design of the output stage enables use of unmatched TOSAs.

The device receives differential AC-coupled signals with on-chip termination. It can deliver laser modulation currents of up to 85mA at an edge speed of 22ps (20% to 80%) into a 5 $\Omega$  external differential load. The device is designed to have a high-bandwidth differential signal path with on-chip back termination resistors integrated into its outputs. An input equalization block can be activated to compensate for SFP+ host connector losses. The integrated bias circuit provides programmable laser bias currents up to 105mA. Both the laser bias current generator and the laser modulator can be disabled from a single pin.

The use of a 3-wire digital interface reduces the pin count while permitting adjustment of input equalization, polarity, output deemphasis, and modulation and bias currents without the need for external components. The device is available in a 3mm x 3mm, 16-pin TQFN package, and is specified for the -40°C to +95°C extended temperature range.

### Benefits and Features

- ◆ **Low Power Consumption**
- ◆ **Saves Board Space**
  - ◇ **Small 3mm x 3mm Package**
- ◆ **Flexibility**
  - ◇ **Programmable Modulation Current Up to 85mA (5 $\Omega$  Load)**
  - ◇ **Programmable Bias Current Up to 105mA**
  - ◇ **Programmable Input Equalization and Output Deemphasis**
- ◆ **Safety**
  - ◇ **Supports SFF-8431 SFP+ MSA and SFF-8472 Digital Diagnostic**
  - ◇ **Integrated Eye Safety Features with Maskable Faults**
  - ◇ **Bias Current Monitor**

### Applications

10GBASE-LR SFP+ Optical Transceivers  
10GBASE-LRM SFP+ Optical Transceivers  
OC192-SR SFP+ SDH/SONET Transceivers

[Ordering Information](#) appears at end of data sheet.

For related parts and recommended products to use with this part, refer to: [www.maxim-ic.com/MAX3949.related](http://www.maxim-ic.com/MAX3949.related)

# 11.3Gbps, Low-Power, AC-Coupled Laser Driver

## ABSOLUTE MAXIMUM RATINGS

$V_{CC}, V_{CCT}$ .....	-0.3V to +4.0V	Voltage Range at BIAS .....	0.4V to 2.5V
$ V_{CC} - V_{CCT} $ .....	< 0.5V	Current into TOUTC and TOUTA .....	+150mA
Voltage Range at TIN+, TIN-, DISABLE, SDA, SCL, CSEL, VSEL, FAULT, and BMON.....	-0.3V to $V_{CC}$	Continuous Power Dissipation ( $T_A = +70^\circ\text{C}$ ) TQFN (derate 20.8mW/ $^\circ\text{C}$ above $+70^\circ\text{C}$ ).....	1666.7mW
Voltage Range at TOUTA, TOUTC .....	( $V_{CCT} - 1.3\text{V}$ ) to ( $V_{CCT} + 1.3\text{V}$ )	Storage Temperature Range.....	-55 $^\circ\text{C}$ to +150 $^\circ\text{C}$
Current Range into TIN+ and TIN-.....	-20mA to +20mA	Die Attach Temperature .....	+400 $^\circ\text{C}$
Current Range into BIAS.....	0mA to +120mA	Lead Temperature (soldering, 10s) .....	+300 $^\circ\text{C}$
		Soldering Temperature (reflow) .....	+260 $^\circ\text{C}$

Stresses beyond those listed under "Absolute Maximum Ratings" may cause permanent damage to the device. These are stress ratings only, and functional operation of the device at these or any other conditions beyond those indicated in the operational sections of the specifications is not implied. Exposure to absolute maximum rating conditions for extended periods may affect device reliability.

## PACKAGE THERMAL CHARACTERISTICS (Note 1)

TQFN

Junction-to-Ambient Thermal Resistance ( $\theta_{JA}$ ) .....	48 $^\circ\text{C}/\text{W}$
Junction-to-Case Thermal Resistance ( $\theta_{JC}$ ) .....	10 $^\circ\text{C}/\text{W}$

**Note 1:** Package thermal resistances were obtained using the method described in JEDEC specification JESD51-7, using a four-layer board. For detailed information on package thermal considerations, refer to [www.maxim-ic.com/thermal-tutorial](http://www.maxim-ic.com/thermal-tutorial).

## ELECTRICAL CHARACTERISTICS

( $V_{CC} = V_{CCT} = 2.95\text{V}$  to  $3.63\text{V}$ ,  $T_A = -40^\circ\text{C}$  to  $+95^\circ\text{C}$ ; typical values are at  $V_{CC} = V_{CCT} = 3.3\text{V}$ ,  $T_A = +25^\circ\text{C}$ ,  $I_{BIAS} = 60\text{mA}$ ,  $I_{DMOD} = 40\text{mA}$ , and  $14\Omega$  single-ended electrical output load, unless otherwise noted. See [Figure 1](#) for electrical setup.) (Note 2)

PARAMETER	SYMBOL	CONDITIONS	MIN	TYP	MAX	UNITS
<b>POWER SUPPLY</b>						
Power-Supply Current	$I_{CC}$	Excludes output current through the external pullup inductors (Note 3)		55	70	mA
Power-Supply Voltage	$V_{CCT}, V_{CC}$		2.95		3.63	V
<b>POWER-ON RESET</b>						
$V_{CC}$ for Enable High				2.55	2.75	V
$V_{CC}$ for Enable Low			2.3	2.45		V
<b>DATA INPUT SPECIFICATION</b>						
Input Data Rate			1	10.3	11.3	Gbps
Differential Input Voltage	$V_{IN}$	Launch amplitude into FR4 transmission line $\leq 12\text{in}$ , SET_TXEQ[1:0] = 01b, SET_TXEQ[1:0] = 11b	0.2		0.8	$V_{P-P}$
		SET_TXEQ[1:0] = 01b, SET_TXEQ[1:0] = 11b, outside of optimized range	0.15		1.0	
		SET_TXEQ[1:0] = 00b	0.15		1.0	
Common-Mode Input Voltage	$V_{CM}$			2.15		V
Differential Input Resistance	$R_{IN}$		75	100	125	$\Omega$

# 11.3Gbps, Low-Power, AC-Coupled Laser Driver

## ELECTRICAL CHARACTERISTICS (continued)

( $V_{CC} = V_{CCT} = 2.95V$  to  $3.63V$ ,  $T_A = -40^{\circ}C$  to  $+95^{\circ}C$ ; typical values are at  $V_{CC} = V_{CCT} = 3.3V$ ,  $T_A = +25^{\circ}C$ ,  $I_{BIAS} = 60mA$ ,  $I_{DMOD} = 40mA$ , and  $14\Omega$  single-ended electrical output load, unless otherwise noted. See [Figure 1](#) for electrical setup.) (Note 2)

PARAMETER	SYMBOL	CONDITIONS	MIN	TYP	MAX	UNITS
Differential Input S-Parameters (Note 4)	SCD11	$0.1GHz \leq f \leq 11.3GHz$		-30		dB
	SDD11	$f \leq 4.1GHz$		-19		
		$4.1GHz \leq f \leq 11.3GHz$		-16		
	SCC11	$1GHz \leq f \leq 11.3GHz$ , $Z_{CM\_SOURCE} = 25\Omega$		-13		
<b>BIAS CURRENT GENERATOR (Figure 3)</b>						
Maximum BIAS DAC Current	$I_{BIASMAX}$	Current into BIAS pin	85	105		mA
Minimum BIAS DAC Current	$I_{BIASMIN}$	Current into BIAS pin			5	mA
BIAS-Off Current	$I_{BIAS-OFF}$				0.1	mA
BIAS DAC LSB Size				200		$\mu A$
BIAS DAC Integral Nonlinearity	INL	$5mA \leq I_{BIAS} \leq 85mA$		$\pm 0.5$		%FS
BIAS DAC Differential Nonlinearity	DNL	Guaranteed monotonic at 8-bit resolution, SET_IBIAS[8:1]		$\pm 0.5$		LSB
BIAS Current DAC Stability		$5mA \leq I_{BIAS} \leq 85mA$ , $V_{BIAS} = 1.5V$ (Notes 5, 6)		1	4	%
BIAS Compliance Voltage			0.9	1.5	2.1	V
BMON Current Gain	$G_{BMON}$	$G_{BMON} = I_{BMON}/I_{BIAS}$ , external resistor to GND defines voltage	8.5	9.6	11.8	mA/A
BMON Current Gain Stability		$5mA \leq I_{BIAS} \leq 85mA$ , $V_{BIAS} = 1.5V$ (Notes 5, 6)		1.5	5	%
Compliance Voltage at BMON			0		1.8	V
<b>LASER MODULATOR (Note 7)</b>						
Maximum Laser Modulation Current	$I_{DMODMAX}$	Current into TOUTC pin, $5\Omega$ laser load, 6.25% deemphasis	85			$mA_{P-P}$
Minimum Laser Modulation Current	$I_{DMODMIN}$	Current into TOUTC pin, $5\Omega$ laser load, 6.25% deemphasis			10	$mA_{P-P}$
Modulation-Off Laser Current	$I_{DMOD-OFF}$	Current into TOUTC pin			0.1	mA
Modulation DAC Full-Scale Current	$I_{MOD-FS}$		99.7	130		mA
Modulation DAC LSB Size				247		$\mu A$
Modulation DAC Integral Nonlinearity	INL			$\pm 1$		%FS
Modulation DAC Differential Nonlinearity	DNL	Guaranteed monotonic at 8-bit resolution, SET_IMOD[8:1]		$\pm 0.5$		LSB
TOUTA and TOUTC Instantaneous Output Compliance Voltage		With external inductive pullup to $V_{CCT}$	$V_{CCT} - 1$		$V_{CCT} + 1$	V

# 11.3Gbps, Low-Power, AC-Coupled Laser Driver

## ELECTRICAL CHARACTERISTICS (continued)

( $V_{CC} = V_{CCT} = 2.95V$  to  $3.63V$ ,  $T_A = -40^{\circ}C$  to  $+95^{\circ}C$ ; typical values are at  $V_{CC} = V_{CCT} = 3.3V$ ,  $T_A = +25^{\circ}C$ ,  $I_{BIAS} = 60mA$ ,  $LD_{MOD} = 40mA$ , and  $14\Omega$  single-ended electrical output load, unless otherwise noted. See [Figure 1](#) for electrical setup.) (Note 2)

PARAMETER	SYMBOL	CONDITIONS	MIN	TYP	MAX	UNITS
Modulation Output Termination	$R_{OUT}$		19	25	31	$\Omega$
Modulation Current DAC Stability		$10mA \leq LD_{MOD} \leq 85mA$ , $V_{BIAS} = 1.5V$ (Notes 5, 6)		1.5	4	%
Modulation Current Rise/Fall Time	$t_R, t_F$	20% to 80%, $10mA \leq LD_{MOD} \leq 85mA$ (Note 5)		22	36	ps
Deterministic Jitter (Note 5)	DJ	$10mA \leq LD_{MOD} \leq 85mA$ , 8.5Gbps with K28.5 pattern		4		psp-p
		$10mA \leq LD_{MOD} \leq 85mA$ , 10.3125Gbps (Note 8)		6	12	
		$10mA \leq LD_{MOD} \leq 85mA$ , 11.3Gbps (Note 8)		8	13	
Random Jitter	RJ	$10mA \leq LD_{MOD} \leq 85mA$ (Note 5)		0.19	0.55	psRMS
Differential S-Parameters (Note 4)	SCC22	$0.1GHz \leq f \leq 4.1GHz$ , $Z_{CM\_SOURCE} = 12.5\Omega$		-10		dB
		$4.1GHz < f \leq 11.3GHz$ , $Z_{CM\_SOURCE} = 12.5\Omega$		-5		
	SDD22	$0.1GHz < f \leq 11.3GHz$ , $Z_{DIFF\_SOURCE} = 50\Omega$		-13		
<b>SAFETY FEATURES</b>						
Threshold Voltage at BIAS		Fault never occurs for $V_{BIAS} \geq 0.55V$ , fault always occurs for $V_{BIAS} < 0.35V$	0.35		0.55	V
Threshold Voltage at TOUTC		Fault never occurs for $V_{TOUTC} \geq V_{CCT} -$ 1.45, fault always occurs for $V_{TOUTC} <$ $V_{CCT} - 1.88$	$V_{CCT} -$ 1.88		$V_{CCT} -$ 1.45	V
Threshold Voltage at TOUTA		Fault never occurs for $V_{TOUTA} \geq V_{CCT} -$ 1.45V, fault always occurs for $V_{TOUTA} <$ $V_{CCT} - 1.88V$	$V_{CCT} -$ 1.88		$V_{CCT} -$ 1.45	V
Threshold Voltage at $V_{CCT}$		Fault never occurs for $V_{CCT} \geq V_{CC} - 0.27V$ , fault always occurs for $V_{CCT} < V_{CC} - 0.6V$	$V_{CC} -$ 0.6		$V_{CC} -$ 0.27	V

# 11.3Gbps, Low-Power, AC-Coupled Laser Driver

## ELECTRICAL CHARACTERISTICS (continued)

( $V_{CC} = V_{CCT} = 2.95V$  to  $3.63V$ ,  $T_A = -40^{\circ}C$  to  $+95^{\circ}C$ ; typical values are at  $V_{CC} = V_{CCT} = 3.3V$ ,  $T_A = +25^{\circ}C$ ,  $I_{BIAS} = 60mA$ ,  $LD_{MOD} = 40mA$ , and  $14\Omega$  single-ended electrical output load, unless otherwise noted. See [Figure 1](#) for electrical setup.) (Note 2)

PARAMETER	SYMBOL	CONDITIONS	MIN	TYP	MAX	UNITS
<b>TIMING REQUIREMENTS (Notes 5, 7)</b>						
Initialization Time	$t_{INIT}$	$I_{BIAS} = 25mA$ , $LD_{MOD} = 65mA$ , bias and modulation DAC are both 0h, time from TX_EN = high to $I_{BIAS}$ and $LD_{MOD}$ at 90% of steady state		12		$\mu s$
DISABLE Assert Time	$t_{OFF}$	Time from rising edge of DISABLE input signal to $I_{BIAS}$ and $LD_{MOD}$ at 10% of steady state (Note 5)		3		$\mu s$
DISABLE Negate Time	$t_{ON}$	Time from falling edge of DISABLE to $I_{BIAS}$ and $LD_{MOD}$ at 90% of steady state (Note 5)		12		$\mu s$
FAULT Reset Time	$t_{RECOVER}$	Time from negation of latched fault using DISABLE to $I_{BIAS}$ and $LD_{MOD}$ at 90% of steady state		12		$\mu s$
FAULT Assert Time	$t_{FAULT}$	Time from fault to FAULT = high, $C_{FAULT} \leq 20pF$ , $R_{FAULT} = 4.7k\Omega$		0.7	3	$\mu s$
DISABLE to Reset Time		Time DISABLE must be held high to reset fault	4			$\mu s$
<b>DIGITAL I/O SPECIFICATIONS (SDA, SCL, CSEL, FAULT, DISABLE)</b>						
Input High Voltage	$V_{IH}$		1.8		$V_{CC}$	V
Input Low Voltage	$V_{IL}$		0		0.8	V
Input Hysteresis	$V_{HYST}$			80		mV
Input Capacitance	$C_{IN}$				5	pF
DISABLE Input Resistance	$R_{PULL}$	Internal pullup resistor	4.7	7.5	10	$k\Omega$
Input Leakage Current (DISABLE)	$I_{IH}$	Input connected to $V_{CC}$			10	$\mu A$
	$I_{IL}$	Input connected to GND		440	775	
Input Leakage Current (SDA)	$I_{IH}$	Input connected to $V_{CC}$	-2		+2	$\mu A$
	$I_{IL}$	Input connected to GND, internal pullup is $75k\Omega$ typical	35		75	
Input Leakage Current (SCL, CSEL)	$I_{IH}$	Input connected to $V_{CC}$ , internal pulldown is $75k\Omega$ typical	35		75	$\mu A$
	$I_{IL}$	Input connected to GND	-2		+2	
Output High Voltage (SDA, FAULT)	$V_{OH}$	External pullup is ( $4.7k\Omega$ to $10k\Omega$ ) to $V_{CC}$	$V_{CC} - 0.1$			V
Output Low Voltage (SDA, FAULT)	$V_{OL}$	External pullup is ( $4.7k\Omega$ to $10k\Omega$ ) to $V_{CC}$			0.4	V

# 11.3Gbps, Low-Power, AC-Coupled Laser Driver

## ELECTRICAL CHARACTERISTICS (continued)

( $V_{CC} = V_{CCT} = 2.95V$  to  $3.63V$ ,  $T_A = -40^{\circ}C$  to  $+95^{\circ}C$ ; typical values are at  $V_{CC} = V_{CCT} = 3.3V$ ,  $T_A = +25^{\circ}C$ ,  $I_{BIAS} = 60mA$ ,  $LD_{MOD} = 40mA$ , and  $14\Omega$  single-ended electrical output load, unless otherwise noted. See [Figure 1](#) for electrical setup.) (Note 2)

PARAMETER	SYMBOL	CONDITIONS	MIN	TYP	MAX	UNITS
<b>3-WIRE DIGITAL INTERFACE TIMING CHARACTERISTICS (Figure 5)</b>						
SCL Clock Frequency	$f_{SCL}$			400	1000	kHz
SCL Pulse-Width High	$t_{CH}$		500			ns
SCL Pulse-Width Low	$t_{CL}$		500			ns
SDA Setup Time	$t_{DS}$			100		ns
SDA Hold Time	$t_{DH}$			100		ns
SCL Rise to SDA Propagation Time	$t_D$			5		ns
CSEL Pulse-Width Low	$t_{CSW}$		500			ns
CSEL Leading Time Before the First SCL Edge	$t_L$			500		ns
CSEL Trailing Time After the Last SCL Edge	$t_T$			500		ns
SDA, SCL Load	$C_B$	Total bus capacitance on one line with $4.7k\Omega$ pullup to $V_{CC}$			20	pF
<b>VSEL FOUR-LEVEL DIGITAL INPUT (Table 2)</b>						
Input Voltage High		3-wire address, ADDR[6:5] = 11b	$5/6V_{CC} + 0.2$		$V_{CC}$	V
Input Voltage Mid-High		3-wire address, ADDR[6:5] = 10b	$3/6V_{CC} + 0.2$	$2/3 \times V_{CC}$	$5/6V_{CC} - 0.2$	V
Input Voltage Mid-Low		3-wire address, ADDR[6:5] = 01b	$1/6V_{CC} + 0.2$	$1/3 \times V_{CC}$	$3/6V_{CC} - 0.2$	V
Input Voltage Low		3-wire address, ADDR[6:5] = 00b	0		$1/6V_{CC} - 0.2$	V

**Note 2:** Specifications at  $T_A = -40^{\circ}C$  and  $+95^{\circ}C$  are guaranteed by design and characterization.

**Note 3:** BIAS is connected to 1.9V. TOUTA and TOUTC are connected to  $V_{CCT}$  through pullup inductors.

**Note 4:** Measured with Agilent 8720ES + ATN-U112A and series RC ( $39\Omega$  and  $0.3pF$ ) between TOUTC and TOUTA ([Figure 1](#)).

**Note 5:** Guaranteed by design and characterization.

**Note 6:** Stability is defined as  $[(I_{MEASURED}) - (I_{REFERENCE})]/(I_{REFERENCE})$  over the listed current/temperature range and  $V_{CCT} = V_{CC} = V_{CCREF} \pm 5\%$ ,  $V_{CCREF} = 3.3V$ . Reference current measured at  $V_{CCREF}$  and  $T_{REF} = +25^{\circ}C$ .

**Note 7:**  $LD_{MOD} = I_{MOD} \times (1 - DE) \times 50/(50 + R)$ , where  $LD_{MOD}$  is the effective laser modulation current,  $I_{MOD}$  is the modulation DAC current, DE is the deemphasis percentage, and R is the differential laser load resistance. Example: For  $R\Omega = 5$  and  $DE = 6.25\%$ ,  $LD_{MOD} = 0.852 \times I_{MOD}$ .

**Note 8:** Equivalent  $2^{23} - 1$  PRBS pattern =  $2^7 - 1$  PRBS + 72 zeros +  $2^7 - 1$  PRBS + 72 ones.

**11.3Gbps, Low-Power, AC-Coupled Laser Driver**

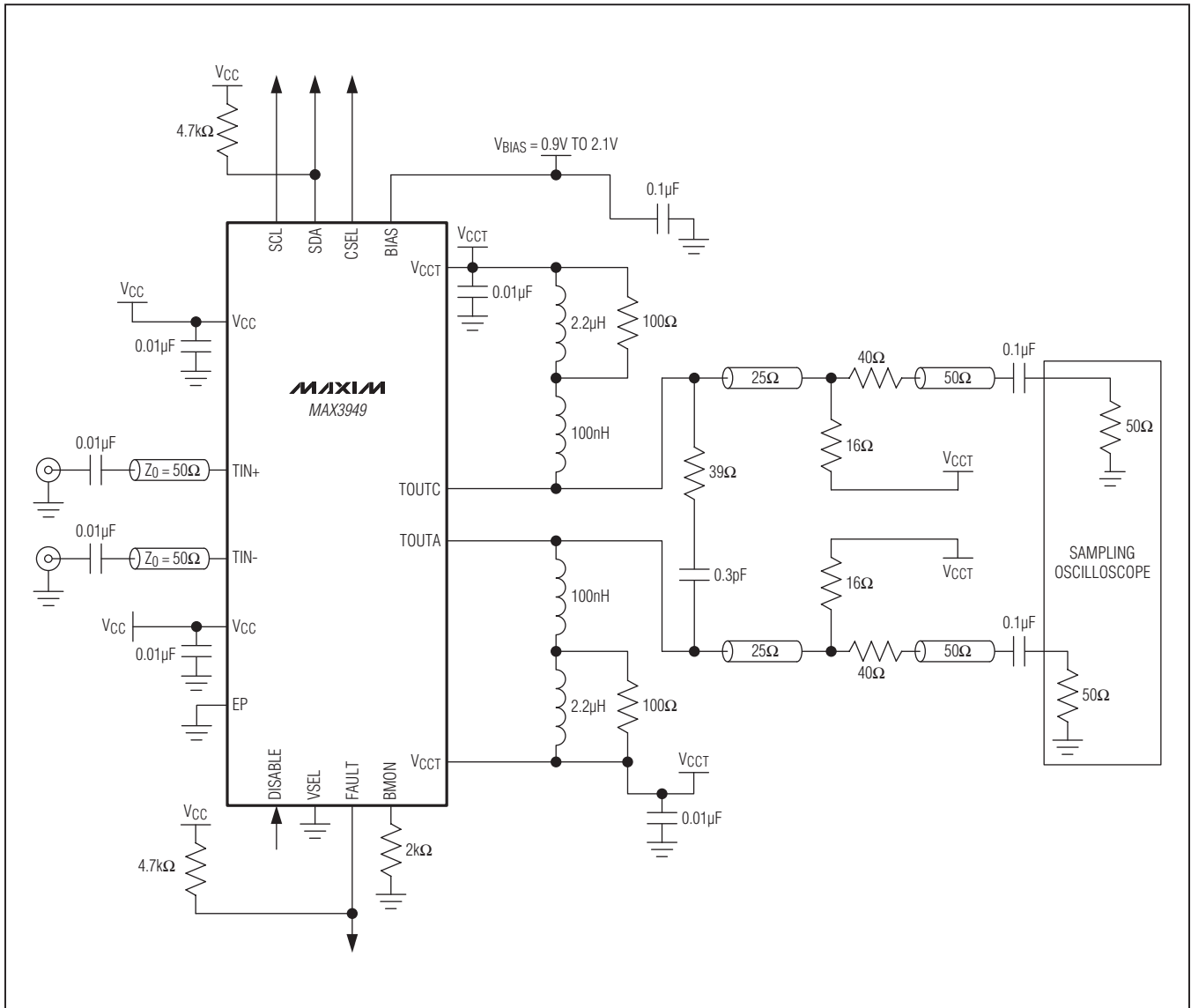


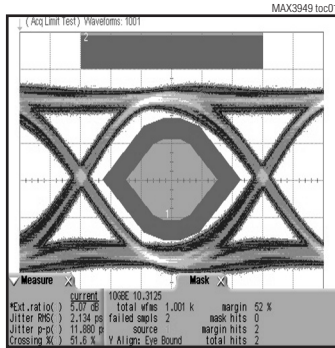
Figure 1. AC Test Setup

## 11.3Gbps, Low-Power, AC-Coupled Laser Driver

### Typical Operating Characteristics

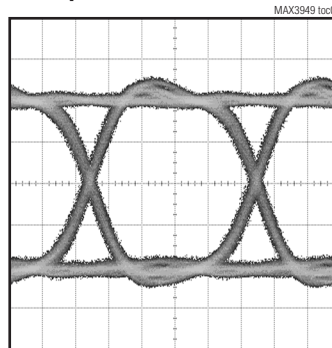
(Typical values are at  $V_{CC} = V_{CCCT} = 3.3V$ ,  $T_A = +25^\circ C$ , data pattern =  $2^7 - 1$  PRBS + 72 zeros +  $2^7 - 1$  PRBS (inverted) + 72 ones, unless otherwise noted.)

**10.3Gbps OPTICAL EYE DIAGRAM**



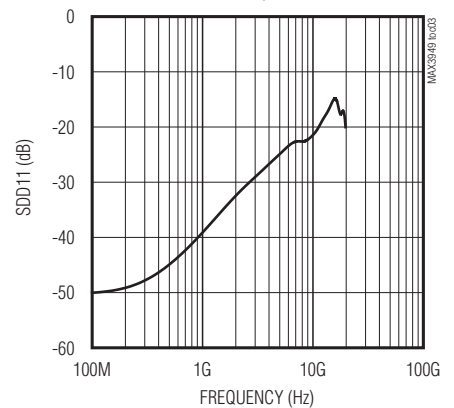
16ps/div

**10Gbps ELECTRICAL EYE DIAGRAM**

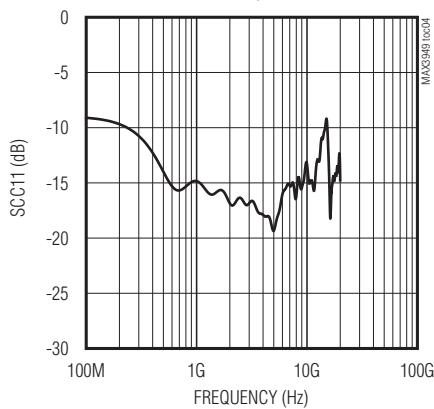


20ps/div

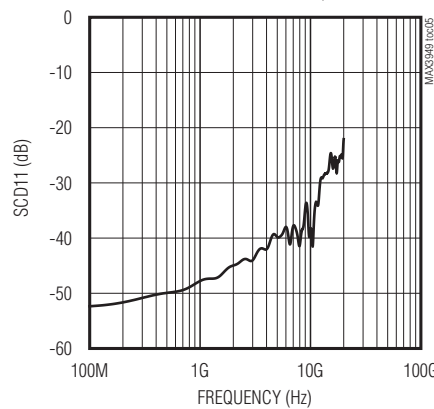
**INPUT DIFFERENTIAL RETURN LOSS vs. FREQUENCY**



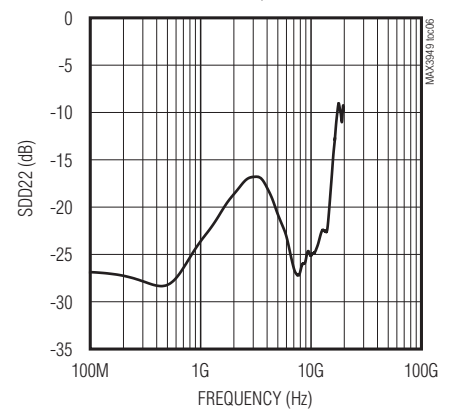
**INPUT COMMON-MODE RETURN LOSS vs. FREQUENCY**



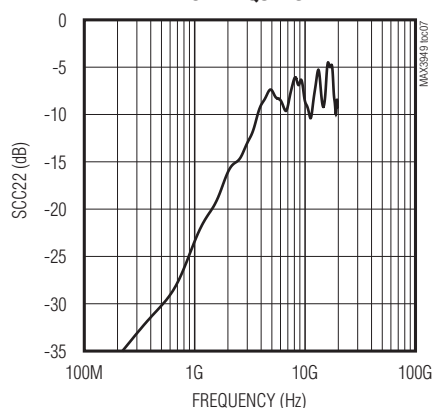
**INPUT DIFFERENTIAL TO COMMON-MODE RETURN LOSS vs. FREQUENCY**



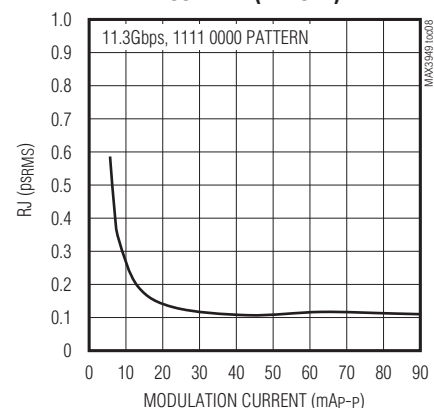
**OUTPUT DIFFERENTIAL RETURN LOSS vs. FREQUENCY**



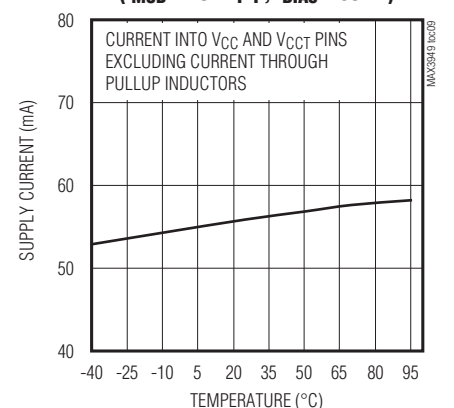
**OUTPUT COMMON-MODE RETURN LOSS vs. FREQUENCY**



**RANDOM JITTER vs. MODULATION CURRENT (AT LOAD)**



**SUPPLY CURRENT vs. TEMPERATURE (I<sub>MOD</sub> = 40mA<sub>P-P</sub>, I<sub>BIAS</sub> = 60mA)**

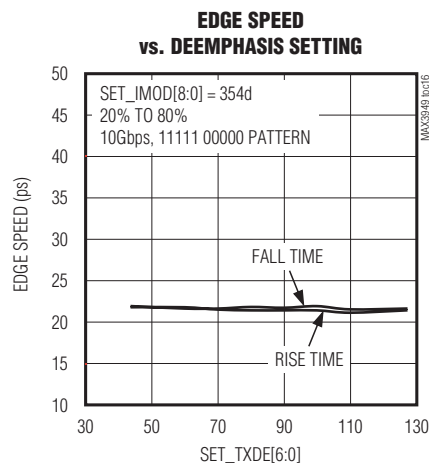
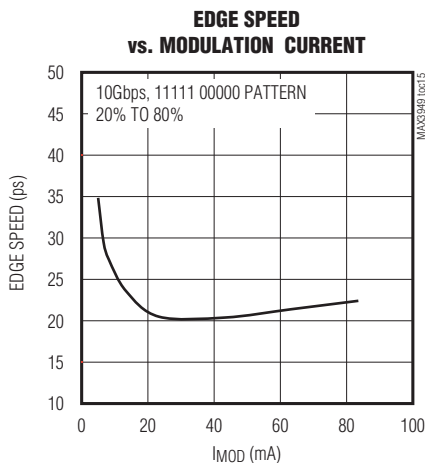
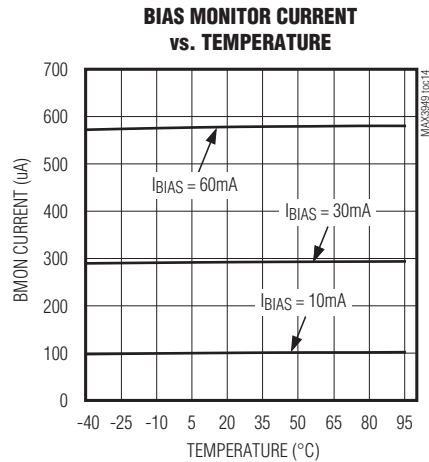
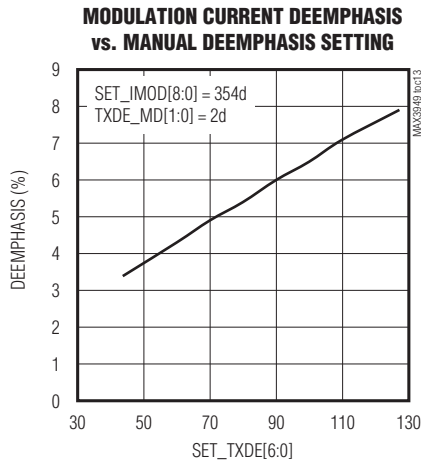
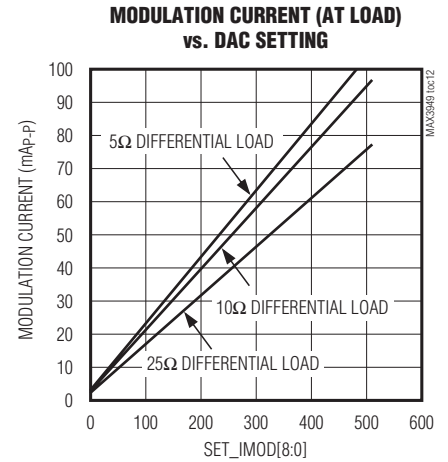
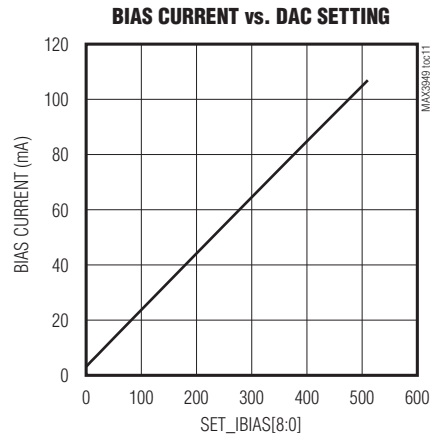
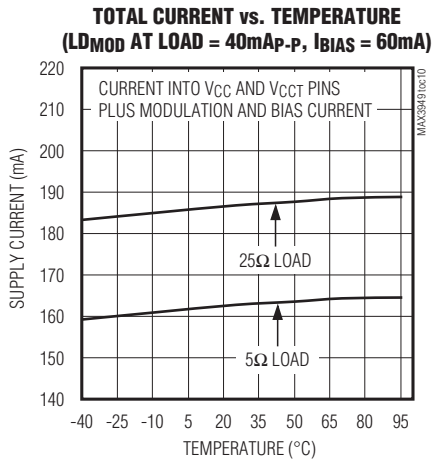




# 11.3Gbps, Low-Power, AC-Coupled Laser Driver

## Typical Operating Characteristics (continued)

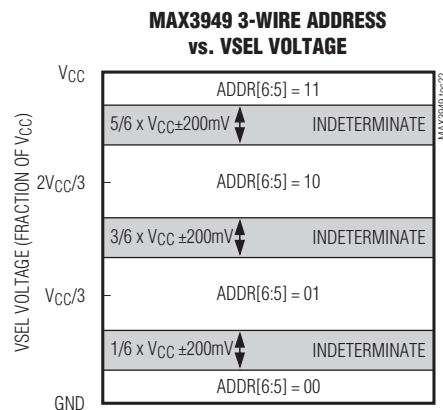
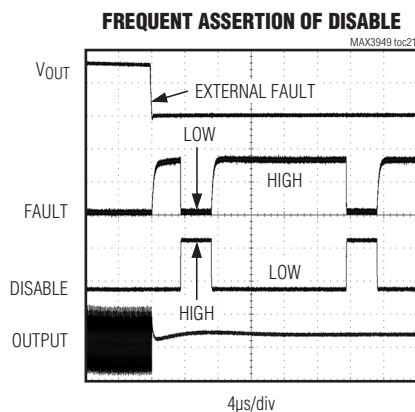
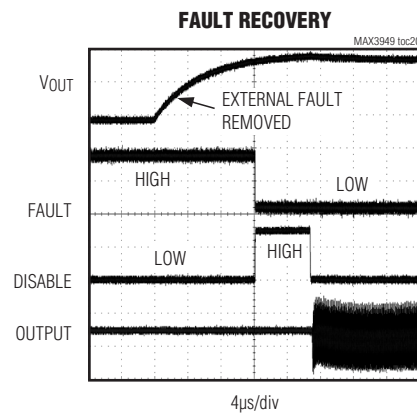
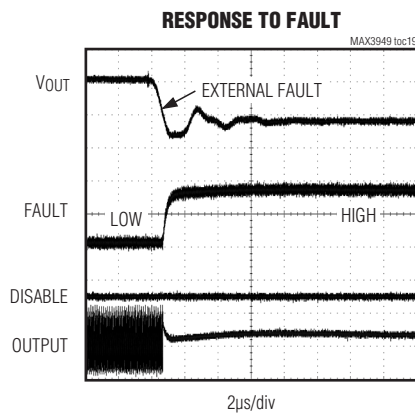
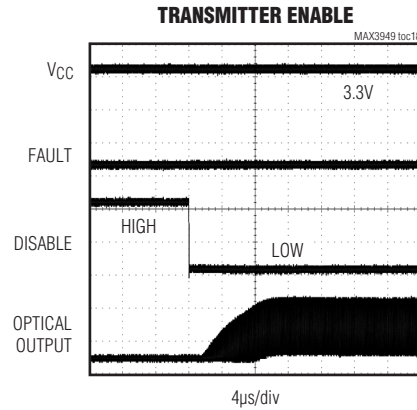
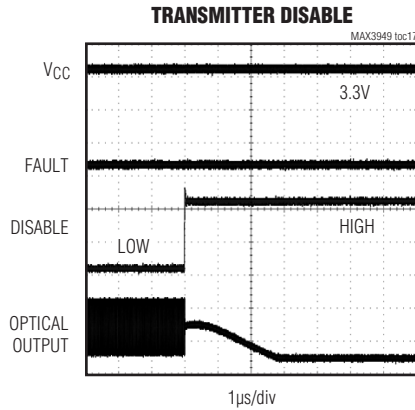
(Typical values are at  $V_{CC} = V_{CCCT} = 3.3V$ ,  $T_A = +25^\circ C$ , data pattern =  $2^7 - 1$  PRBS + 72 zeros +  $2^7 - 1$  PRBS (inverted) + 72 ones, unless otherwise noted.)



## 11.3Gbps, Low-Power, AC-Coupled Laser Driver

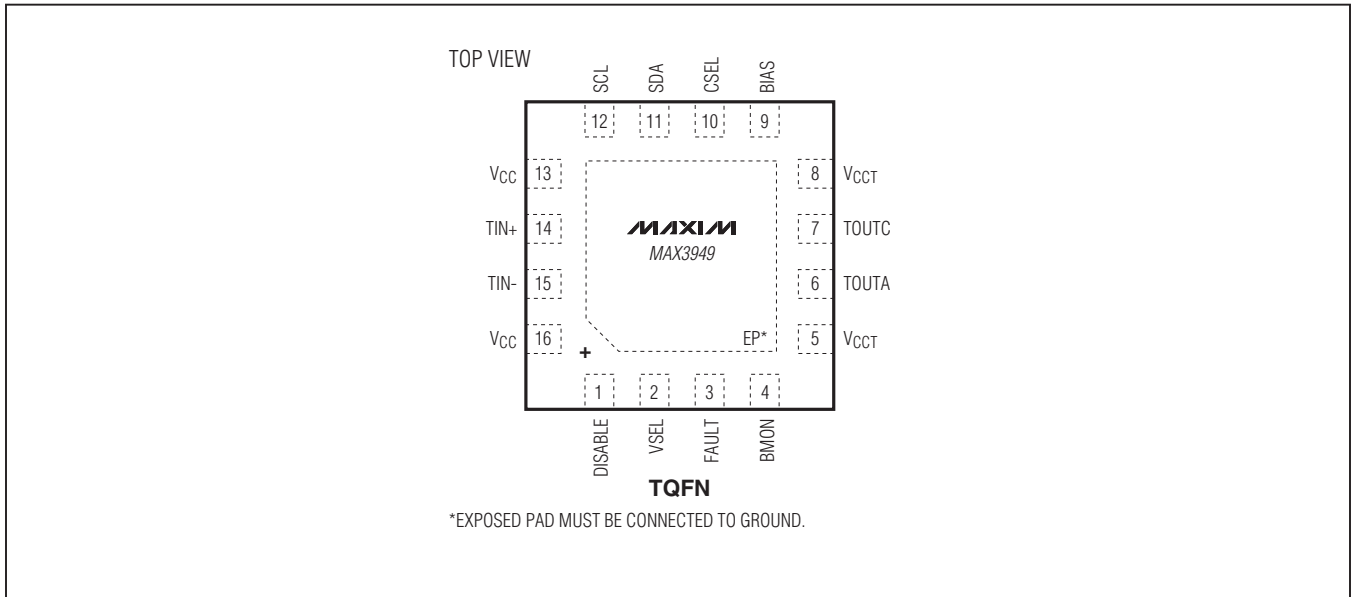
### Typical Operating Characteristics (continued)

(Typical values are at  $V_{CC} = V_{CCT} = 3.3V$ ,  $T_A = +25^\circ C$ , data pattern =  $2^7 - 1$  PRBS + 72 zeros +  $2^7 - 1$  PRBS (inverted) + 72 ones, unless otherwise noted.)



## 11.3Gbps, Low-Power, AC-Coupled Laser Driver

### Pin Configuration



### Pin Description

PIN	NAME	FUNCTION	EQUIVALENT CIRCUIT
1	DISABLE	Disable Input, CMOS. Set to logic-low for normal operation. Logic-high or open disables both the modulation current and the bias current. Internally pulled up by a 7.5kΩ resistor to V <sub>CC</sub> .	
2	VSEL	4-Level Input for SPI Device Address Detection. Connecting to V <sub>CC</sub> sets ADDR[6:5] to 11b, connecting to V <sub>CC</sub> x 2/3 sets ADDR[6:5] to 10b, connecting to V <sub>CC</sub> /3 sets ADDR[6:5] to 01b, and connecting to GND sets ADDR[6:5] to 00b.	

# 11.3Gbps, Low-Power, AC-Coupled Laser Driver

## Pin Description (continued)

PIN	NAME	FUNCTION	EQUIVALENT CIRCUIT
3	FAULT	Fault Output, Open Drain. Logic-high indicates a fault condition has been detected. It remains high even after the fault condition has been removed. A logic-low occurs when the fault condition has been removed and the fault latch has been cleared by toggling DISABLE. FAULT should be pulled up to $V_{CC}$ by a 4.7k $\Omega$ to 10k $\Omega$ resistor.	
4	BMON	Analog Laser Bias Current Monitor Output. Current out of this pin develops a ground-referenced voltage across an external resistor that is proportional to the BIAS pin current. The current sourced by this pin is typically 1/104 the BIAS pin current.	
5,8	$V_{CCT}$	Power Supply. Provides supply voltage to the output block.	—
6	TOUTA	Inverting Laser Diode Modulation Current Output. Connect this pin to the anode of the laser diode.	
7	TOUTC	Noninverting Laser Diode Modulation Current Output. Connect this pin to the cathode of the laser diode.	

## 11.3Gbps, Low-Power, AC-Coupled Laser Driver

### Pin Description (continued)

PIN	NAME	FUNCTION	EQUIVALENT CIRCUIT
9	BIAS	Combined Current Return Path and Laser BIAS Current Output	
10	CSEL	Chip-Select CMOS Input. Setting CSEL to logic-high starts a 3-wire command cycle. Setting CSEL to logic-low ends the cycle and resets the control state machine. Internally pulled down to GND by a 75k $\Omega$ resistor.	
11	SDA	Serial Data Bidirectional CMOS Input. Also an open-drain output. This pin has a 75k $\Omega$ internal pullup, but requires an external 4.7k $\Omega$ to 10k $\Omega$ pullup resistor to V<sub>CC</sub> for proper operation.	
12	SCL	Serial-Clock CMOS Input. This pin has an internal 75k $\Omega$ pulldown resistor to GND.	

## 11.3Gbps, Low-Power, AC-Coupled Laser Driver

### Pin Description (continued)

PIN	NAME	FUNCTION	EQUIVALENT CIRCUIT
13, 16	V <sub>CC</sub>	Power Supply. Provides supply voltage to core analog and digital circuitry.	—
14	TIN+	Noninverting Data Input. Input with internal 50Ω termination.	
15	TIN-	Inverting Data Input. Input with internal 50Ω termination.	
—	EP	Exposed Pad (Ground). This is the only electrical connection to ground on the MAX3949 and must be soldered to the circuit board ground for proper thermal and electrical performance (see the <i>Exposed-Pad Package</i> section).	—

# 11.3Gbps, Low-Power, AC-Coupled Laser Driver

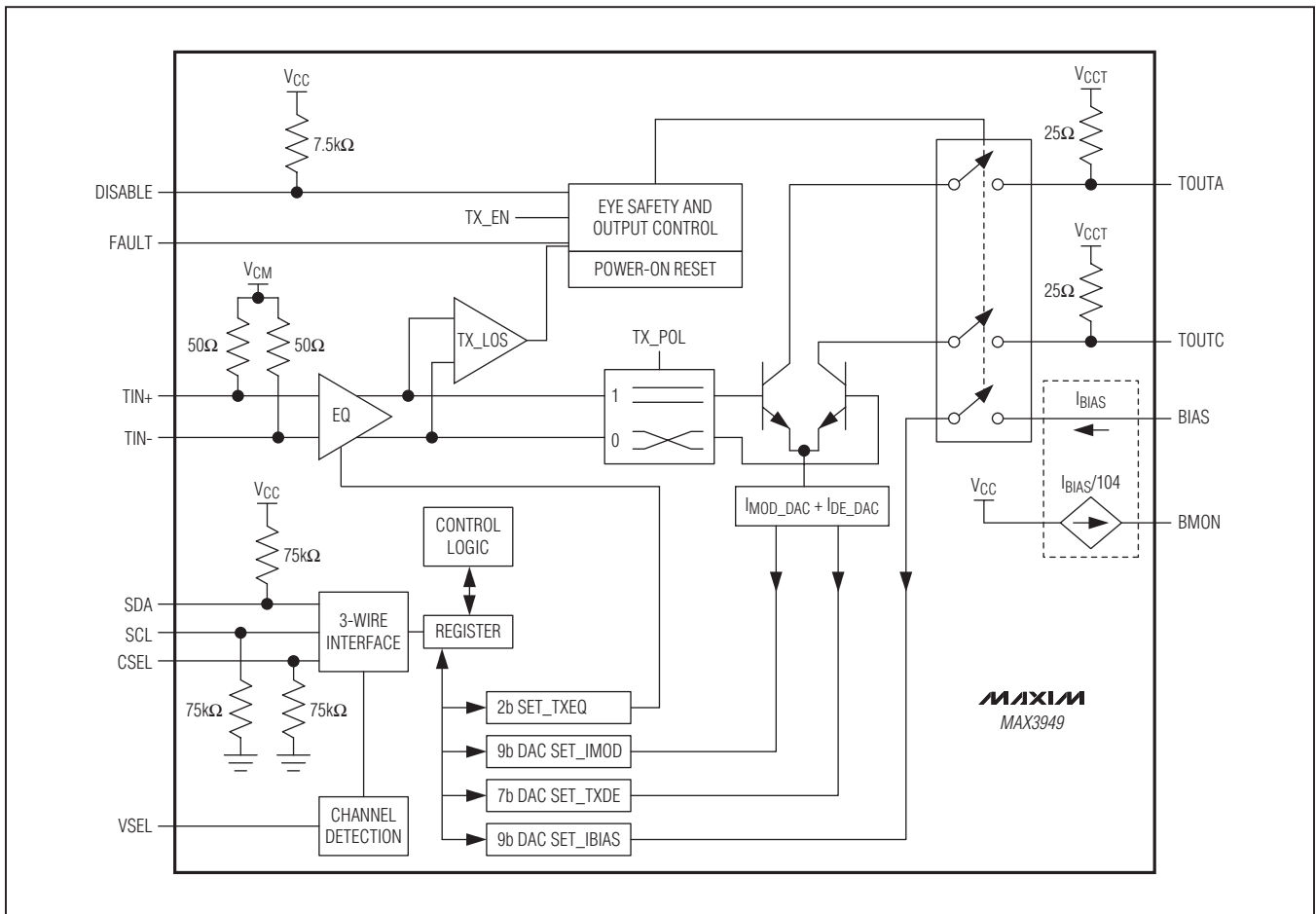


Figure 2. Functional Diagram

# 11.3Gbps, Low-Power, AC-Coupled Laser Driver

## Detailed Description

The MAX3949 SFP+/QSFP+ laser driver is designed to drive 5Ω to 10Ω TOSAs from 1Gbps to 11.3Gbps. It contains an input buffer with programmable equalization, bias and modulation current DACs, an output driver with adjustable deemphasis, power-on-reset circuitry, bias current monitor, programmable 3-wire address, and eye safety circuitry with maskable fault monitors. A 3-wire digital interface is used to control these functions.

### Input Buffer with Programmable Equalization

The input is internally biased and terminated with 50Ω to a common-mode voltage. The first amplifier stage features a programmable equalizer for high-frequency losses including a SFP+/QSFP+ host connector. Equalization is controlled by the SET\_TXEQ register (Table 1). The TX\_POL bit in the TXCTRL register controls the polarity of TOUTA and TOUTC vs. TIN+ and TIN-. A status indicator bit (TXSTAT1 bit 5) monitors the presence of an AC input signal.

Table 1. Input Equalization Control Register Settings

SET_TXEQ[1:0]		BOOST AT 5.16GHz (dB)
0	0	1
0	1	3
1	1	5.5

### Bias Current DAC

The bias current from the device is optimized to provide up to 105mA of bias current into a laser diode with 200μA resolution (Figure 3). The bias DAC current is controlled through the 3-wire digital interface using the SET\_IBIAS[8:0], IBIASMAX[7:0], and BIASINC[4:0] bits.

For laser operation, the laser bias current can be set using the 9-bit SET\_IBIAS DAC register. The upper 8 bits are set by the SET\_IBIAS[8:1] register, commonly used during the initialization procedure after power-on reset (POR). The LSB (bit 0) of SET\_IBIAS (BIASINC[7]) is initialized to zero after POR and can be updated using

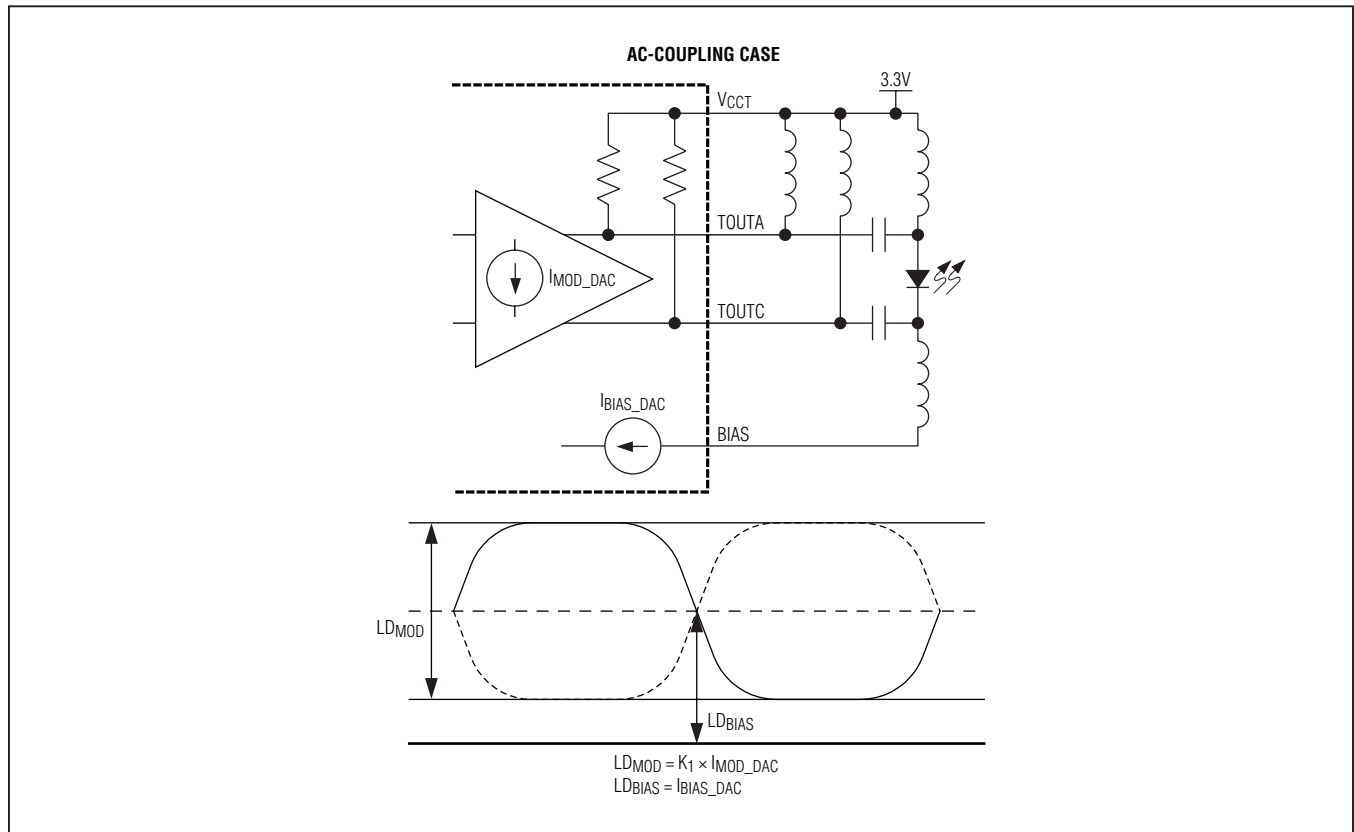


Figure 3. AC-Coupling Case



## 11.3Gbps, Low-Power, AC-Coupled Laser Driver

the [BIASINC](#) register. The [IBIASMAX](#) register limits the maximum [SET\\_IBIAS](#)[8:1] DAC code.

After initialization the value of the [SET\\_IBIAS](#) DAC register should be updated using the [BIASINC](#) register to optimize cycle time and enhance laser safety. The [BIASINC](#) register is an 8-bit register. The first 5 bits of [BIASINC](#) contain the increment information in two's complement format. Increment values range from -16 to +15 LSBs. If the updated value of [SET\\_IBIAS](#)[8:1] exceeds [IBIASMAX](#)[7:0], the [IBIASERR](#) warning flag is set and [SET\\_IBIAS](#)[8:1] is set to [IBIASMAX](#)[7:0].

### Modulation Current DAC

The modulation current from the MAX3949 is optimized to provide up to 85mA of modulation current into a 5Ω laser load with 210μA resolution. The modulation current is controlled through the 3-wire digital interface using the [SET\\_IMOD](#)[8:1], [IMODMAX](#)[7:0], [MODINC](#)[7:0], and [SET\\_TXDE](#) registers.

For laser operation, the laser modulation current can be set using the 9-bit [SET\\_IMOD](#) DAC. The upper 8 bits are programmed through the [SET\\_IMOD](#)[8:1] register, commonly used during the initialization procedure after POR. The LSB (bit 0) of [SET\\_IMOD](#) ([MODINC](#)[7]) is initialized to zero after POR and can be updated using the [MODINC](#) register. The [IMODMAX](#) register limits the maximum [SET\\_IMOD](#)[8:1] DAC code.

After initialization the value of the [SET\\_IMOD](#) DAC register should be updated using the [MODINC](#)[4:0] bits to optimize cycle time and enhance laser safety. The [MODINC](#) register is an 8-bit register. The first 5 bits of [MODINC](#) contain the increment information in two's complement format. Increment values range from -16 to +15 LSBs. If the updated value of [SET\\_IMOD](#)[8:1] exceeds [IMODMAX](#)[7:0], the [IMODERR](#) warning flag is set and [SET\\_IMOD](#)[8:1] is set to [IMODMAX](#)[7:0].

Effective modulation current seen by the laser is actually the combination of the DAC current generated by the [SET\\_IMOD](#)[8:0] register ( $I_{MOD}$ ), deemphasis setting (DE), and differential laser load (R). It is calculated by the following formula:

$$LD_{MOD} = I_{MOD} \times 50 \times (1 - DE) / (50 + R)$$

### Output Driver

This device is optimized to drive a differential TOSA with a 25Ω flex circuit. The unique design of the output stage

enables DC-coupling to unmatched TOSAs with laser diode impedances ranging from 5Ω to 10Ω. The output stage also features programmable deemphasis that can be set as a percentage of the modulation current. The deemphasis function is controlled by the [TXCTRL](#)[4:3] and the [SET\\_TXDE](#) registers.

### Power-On Reset (POR)

Power-on reset ensures that the laser is off until the supply voltage has reached a specified threshold (2.75V). After power-on reset, [TX\\_EN](#) is 0 and bias current and modulation current DACs default to small codes. In the case of a POR, all registers are reset to their default values.

### BMON Function

The current out of the [BMON](#) pin is typically 1/104th the value of the current into the [BIAS](#) pin. The total resistance to ground at [BMON](#) sets the voltage.

### VSEL Function

The [VSEL](#) pin is an analog input that sets the 3-wire address for the MAX3949. The pin can be set to either  $V_{CC}$ ,  $V_{CC} \times 2/3$ ,  $V_{CC}/3$ , or to GND ([Table 2](#)). This allows up to four MAX3949s to be operated on a single 3-wire bus, each with their own address.

**Table 2. 3-Wire Address Selection**

VSEL	ADDR[6:5]
$V_{CC}$	11b
$V_{CC} \times 2/3$	10b
$V_{CC}/3$	01b
GND	00b

### Eye Safety and Output Control Circuitry

The safety and output control circuitry includes the disable pin ([DISABLE](#)) and enable bit ([TX\\_EN](#)), along with a [FAULT](#) indicator and fault detectors ([Figure 4](#)). A fault condition triggers the [FAULT](#) pin to go high and a corresponding bit is set in the [TXSTAT1](#) register. The MAX3949 has two types of faults: hard faults and soft faults. Hard faults are maskable, trigger the [FAULT](#) pin (transitions high), disable the outputs and are stored in the [TXSTAT1](#) register. Soft faults serve as warnings, do not disable the outputs, and are stored in the [TXSTAT2](#) register.

# 11.3Gbps, Low-Power, AC-Coupled Laser Driver

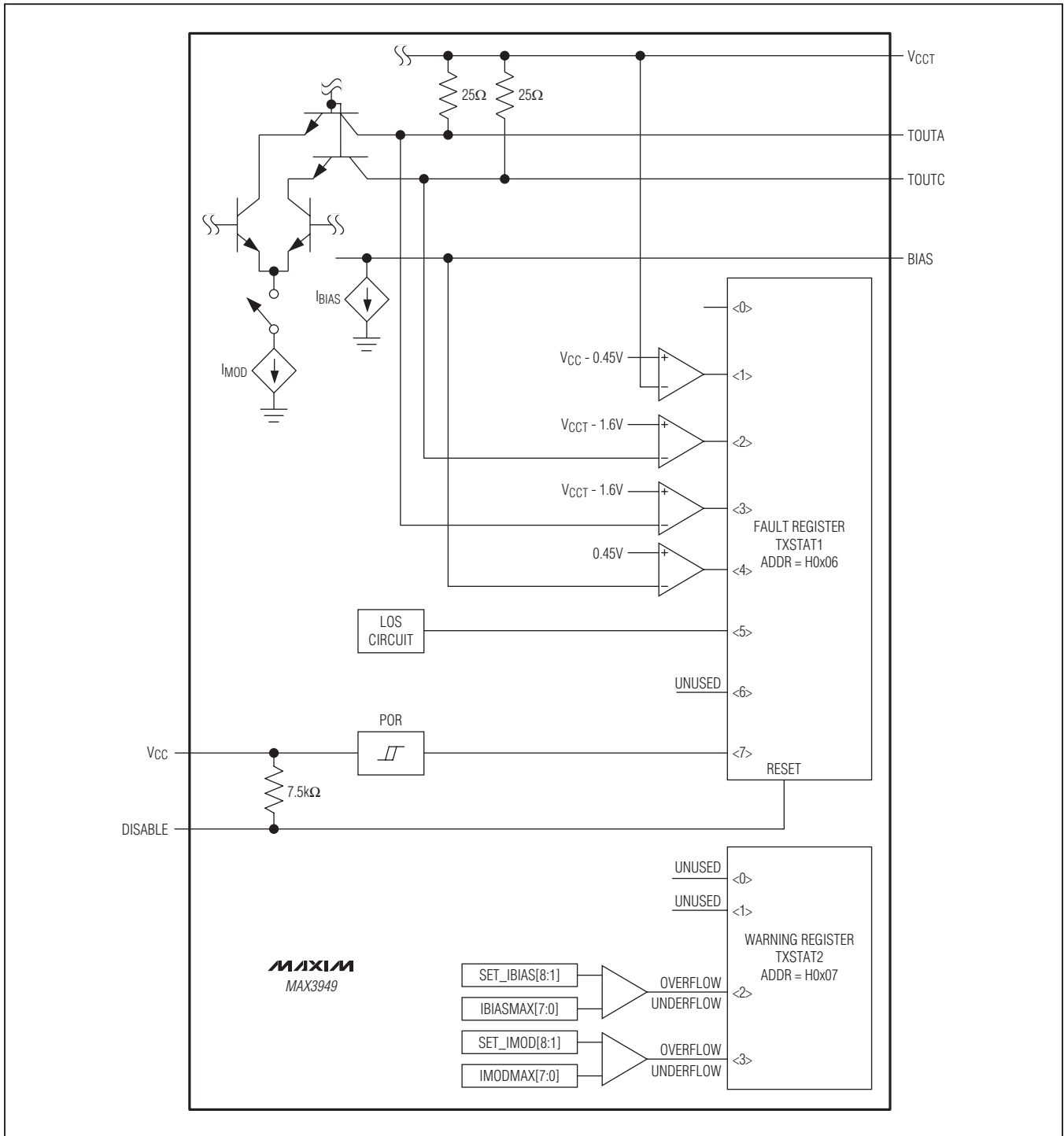


Figure 4. Eye Safety Circuitry

## 11.3Gbps, Low-Power, AC-Coupled Laser Driver

The FAULT pin is a latched output that can be cleared by toggling the DISABLE pin. Toggling the DISABLE pin also clears the [TXSTAT1](#) and [TXSTAT2](#) registers. A single-point

failure can be a short to  $V_{CC}$  or GND. [Table 3](#) shows the circuit response to various single-point failures.

**Table 3. Circuit Response to Single-Point Failure**

PIN	NAME	SHORT TO $V_{CC}$	SHORT TO GND	OPEN
1	DISABLE	Disabled	Normal (Note 1). Can only be disabled by other means.	Disabled
2	VSEL	Normal (Note 2)	Normal (Note 2)	Normal (Note 2)
3	FAULT	Normal (Note 2)	Normal (Note 1)	Normal (Note 2)
4	BMON	Normal (Note 2)	Normal (Note 2)	Normal (Note 2)
5, 8	$V_{CCT}$	Normal	Disabled—Fault (external supply shorted) (Note 3)	Redundant path (Note 4)
6	TOUTA	Laser modulation current is reduced	Disabled (hard fault)	Laser modulation current is reduced or disabled (hard fault)
7	TOUTC	Laser modulation current is reduced or off	Disabled (hard fault)	Laser modulation current is reduced or disabled (hard fault)
9	BIAS	$I_{BIAS}$ is on, but not delivered to the laser; no fault	Disabled (hard fault)	Disabled (hard fault)
10	CSEL	Normal (Note 2)	Normal (Note 2)	Normal (Note 2)
11	SDA	Normal (Note 2)	Normal (Note 2)	Normal (Note 2)
12	SCL	Normal (Note 2)	Normal (Note 2)	Normal (Note 2)
13, 16	$V_{CC}$	Normal	Disabled—Hard fault (external supply shorted) (Note 3)	Redundant path (Note 4)
14	TIN+	Disabled (hard fault)	Disabled (hard fault)	Normal (Note 2) or disabled (hard fault)
15	TIN-	Disabled (hard fault)	Disabled (hard fault)	Normal (Note 2) or disabled (hard fault)

**Note 1:** Normal operation—Does not affect the laser power.

**Note 2:** Pin functionality might be affected, which could affect laser power/performance.

**Note 3:** Supply-shortened current is assumed to be primarily on the circuit board (outside this device) and the main supply is collapsed by the short.

**Note 4:** Normal in functionality, but performance could be affected.

**Warning:** Shorted to  $V_{CC}$  or shorted to ground on some pins can violate the [Absolute Maximum Ratings](#).

## 11.3Gbps, Low-Power, AC-Coupled Laser Driver

### 3-Wire Interface

The MAX3949 implements a proprietary 3-wire digital interface. An external controller generates the clock. The 3-wire interface consists of an SDA bidirectional data line, a SCL clock signal input, and a CSEL chip-select input (active high). The external master initiates a data transfer by asserting the CSEL pin. The master starts to generate a clock signal after the CSEL pin has been set to a logic-high. All data transfers are most significant bit (MSB) first.

### Protocol

Each operation consists of 16-bit transfers (15-bit address/data, 1-bit RWN). The bus master generates 16 clock cycles to SCL. All operations transfer 8 bits to the MAX3949. The RWN bit determines if the cycle is read or write (Table 5).

### Register Addresses

The MAX3949 contains 13 registers available for programming. Table 6 shows the registers and addresses.

### Write Mode (RWN = 0)

The master generates 16 clock cycles at SCL in total. The master outputs a total of 16 bits (MSB first) to the SDA line at the falling edge of the clock. The master closes

the transmission by setting CSEL to 0. Figure 5 shows the interface timing.

### Read Mode (RWN = 1)

The master generates 16 clock cycles at SCL in total. The master outputs a total of 8 bits (MSB first) to the SDA line at the falling edge of the clock. The SDA line is released after the RWN bit has been transmitted. The slave outputs 8 bits of data (MSB first) at the rising edge of the clock. The master closes the transmission by setting CSEL to 0. Figure 5 shows the interface timing.

### Mode Control

Normal mode allows read-only instruction for all registers. Only the MODINC and BIASINC registers can be updated during normal mode. Doing so speeds up the laser control update through the 3-wire interface by a factor of two. The normal mode is the default mode.

Setup mode allows the master to write unrestricted data into any register except the status (TXSTAT1, TXSTAT2) registers. To enter the setup mode, the MODECTRL register (address = H0x0F) must be set to 12h. After the MODECTRL register has been set to 12h, the next operation is unrestricted. The setup mode is automatically exited after the operation is finished. This sequence must be repeated if further unrestricted settings are necessary.

Broadcast mode allows for faster configuration of multiple MAX3949 ICs by causing the address selection bits (ADDR[6:5]) to be ignored so all MAX3949s on the bus can be written to simultaneously.

A block write in broadcast mode can start at any of the addresses in Table 4. The block write is achieved by holding the CSEL pin high to lengthen the SPI cycle. The register address increments automatically through the sequence listed in Table 4 and wraps from TXCTRL to FMSK. The block write ends once the CSEL pin is asserted low.

**Table 4. Broadcast Mode Register Initialization Sequence**

ADDRESS	NAME
H0x0F	FMSK
H0x10	SET_TXDE
H0x11	SET_TXEQ
H0x0A	IMODMAX
H0x0B	IBIASMAX
H0x08	SET_IBIAS
H0x09	SET_IMOD
H0x05	TXCTRL

**Table 5. Digital Communication Word Structure**

BIT															
15	14	13	12	11	10	9	8	7	6	5	4	3	2	1	0
ADDR[6:0]							RWN	DATA[7:0]							

# 11.3Gbps, Low-Power, AC-Coupled Laser Driver

**Table 6. Register Descriptions and Addresses**

ADDRESS	NAME	FUNCTION
H0x05	TXCTRL	Transmitter Control Register
H0x06	TXSTAT1	Transmitter Status Register 1
H0x07	TXSTAT2	Transmitter Status Register 2
H0x08	SET_IBIAS	Bias Current Setting Register
H0x09	SET_IMOD	Modulation Current Setting Register
H0x0A	IMODMAX	Maximum Modulation Current Setting Register
H0x0B	IBIASMAX	Maximum Bias Current Setting Register
H0x0C	MODINC	Modulation Current Increment Setting Register
H0x0D	BIASINC	Bias Current Increment Setting Register
H0x0E	MODECTRL	Mode Control Register
H0x0F	FMSK	Fault Mask Register
H0x10	SET_TXDE	Transmitter Deemphasis Control Register
H0x11	SET_TXEQ	Transmitter Equalization Control Register

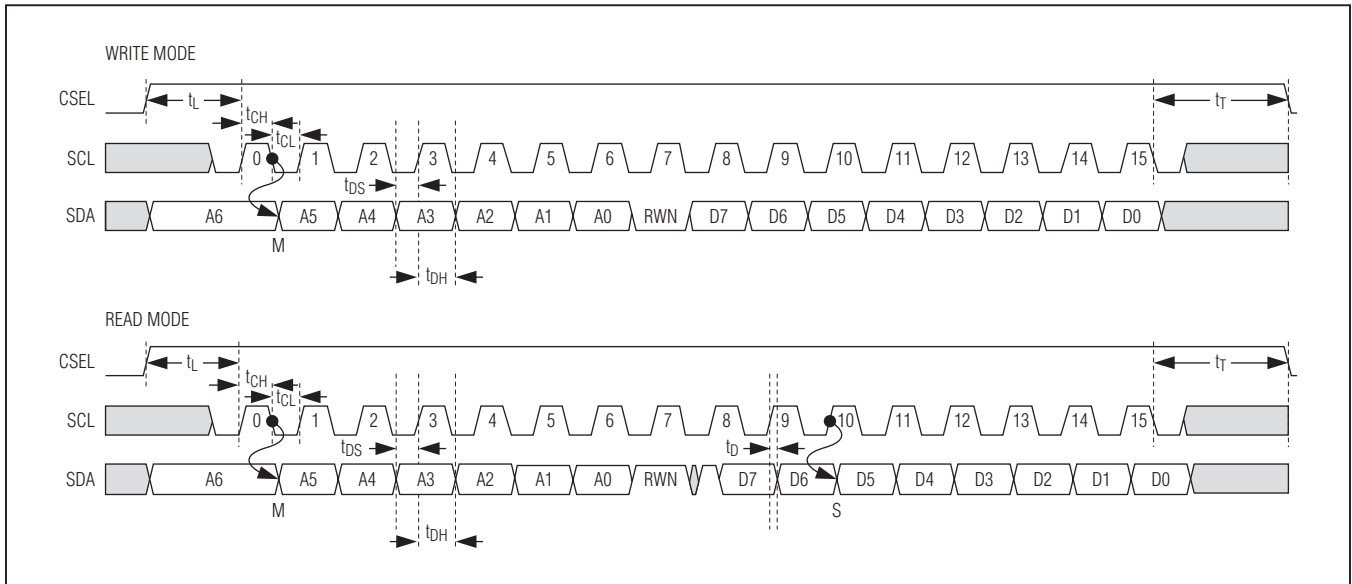


Figure 5. Timing for 3-Wire Digital Interface

## 11.3Gbps, Low-Power, AC-Coupled Laser Driver

### Register Descriptions

#### Transmitter Control Register (TXCTRL), Address: H0x05

Bit	D7	D6	D5	D4	D3	D2	D1	D0
Bit Name	RESERVED	RESERVED	RESERVED	TXDE_MD[1]	TXDE_MD[0]	SOFTRES	TX_POL	TX_EN
Read/Write	R/W	R/W	R/W	R/W	R/W	R/W	R/W	R/W
POR State	0	0	0	0	0	0	1	0

The TXCTRL register sets the device's operation.

BIT	NAME	DESCRIPTION
D[7:5]	RESERVED	Reserved Bits. <b>The default state for these bits is 0 and they must be kept 0 when the register is accessed for a write operation.</b>
D[4:3]	TXDE_MD	Controls the mode of the transmit output deemphasis circuitry. 00 = Deemphasis is fixed at 6% of the modulation amplitude 01 = Deemphasis is fixed at 3% of the modulation amplitude 10 = Deemphasis is programmed by SET_TXDE register setting (3% to 9%) 11 = Deemphasis is at its maximum of ~9%
D2	SOFTRES	Resets all registers to their default values (TXCTRL[1:0] must be = 10b during the write to SOFTRES for the registers to be set to their default values). 0 = Normal operation 1 = Reset
D1	TX_POL	Controls the polarity of the transmit signal path. 0 = Inverse 1 = Normal operation
D0	TX_EN	Enables or disables the transmit circuitry. 0 = Disabled 1 = Enabled

# 11.3Gbps, Low-Power, AC-Coupled Laser Driver

**Transmitter Status Register 1 (TXSTAT1), Address: H0x06**

Bit	D7 (STICKY)	D6 (STICKY)	D5 (STICKY)	D4 (STICKY)	D3 (STICKY)	D2 (STICKY)	D1 (STICKY)	D0 (STICKY)
Bit Name	FST[7]	FST[6]	FST[5]	FST[4]	FST[3]	FST[2]	FST[1]	FST[0]
Read/Write	R	R	R	R	R	R	R	R
POR State	1	X	X	X	X	X	X	X
Reset Upon Read	Yes	Yes	Yes	Yes	Yes	Yes	Yes	Yes

The TXSTAT1 register is a device status register.

BIT	NAME	DESCRIPTION
D7	FST[7]	When the V <sub>CC</sub> supply voltage is below 2.3V, the POR circuitry reports a FAULT and <b>communication to the SPI cannot be performed</b> . Once the V <sub>CC</sub> supply voltage is above 2.75V, the POR resets all registers to their default values and the FAULT latch is cleared.
D6	FST[6]	Reserved.
D5	FST[5]	Indicates low or no AC signal at the inputs, a hard fault is reported unless masked.
D4	FST[4]	Indicates BIAS open or shorted to GND condition, threshold = 0.45V.
D3	FST[3]	Indicates TOUTA open or shorted to GND condition, threshold = V <sub>CCT</sub> - 1.6V, a hard fault is reported unless masked.
D2	FST[2]	Indicates TOUTC open or shorted to GND condition, threshold = V <sub>CCT</sub> - 1.6V, a hard fault is reported unless masked.
D1	FST[1]	Indicates V <sub>CCT</sub> open or shorted to GND conditions, threshold (V <sub>CCT</sub> ) = V <sub>CC</sub> - 0.45V, a hard fault is reported unless masked.
D0	FST[0]	Copy of a FAULT signal.

**Transmitter Status Register 2 (TXSTAT2), Address: H0x07**

Bit	D7	D6	D5	D4	D3 (STICKY)	D2 (STICKY)	D1	D0
Bit Name	X	X	X	X	IMODERR	IBIASERR	X	X
Read/Write	X	X	X	X	R	R	X	X
POR State	X	X	X	X	0	0	X	X
Reset Upon Read	X	X	X	X	Yes	Yes	X	X

The TXSTAT2 register is a device status register.

BIT	NAME	DESCRIPTION
D3	IMODERR	Modulation current overflow (on increment) or underflow (on decrement) error. Overflow occurs if result > IMODMAX. In overflow condition, SET_IMOD[8:1] = IMODMAX[7:0]. Underflow occurs if result < 0. In underflow condition, SET_IMOD[8:0] = 0.
D2	IBIASERR	Bias current overflow (on increment) or underflow (on decrement) error. Overflow occurs if result > IBIASMAX. In overflow condition, SET_IBIAS[8:1] = IBIASMAX[7:0]. Underflow occurs if result < 0. In underflow condition, SET_IBIAS[8:0] = 0.

## 11.3Gbps, Low-Power, AC-Coupled Laser Driver

**Bias Current Setting Register (SET\_IBIAS), Address: H0x08**

Bit	D7	D6	D5	D4	D3	D2	D1	D0
Bit Name	SET_IBIAS[8]	SET_IBIAS[7]	SET_IBIAS[6]	SET_IBIAS[5]	SET_IBIAS[4]	SET_IBIAS[3]	SET_IBIAS[2]	SET_IBIAS[1]
Read/Write	R/W	R/W	R/W	R/W	R/W	R/W	R/W	R/W
POR State	0	0	0	0	0	0	0	1

The SET\_BIAS register sets the laser bias current DAC.

BIT	NAME	DESCRIPTION
D[7:0]	SET_IBIAS[8:1]	The bias current DAC is controlled by a total of 9 bits. The SET_IBIAS[8:1] bits are used to set the bias current with even denominations from 0 to 510 bits. The LSB (SET_IBIAS[0]) bit is controlled by the BIASINC register and is used to set the odd denominations in the SET_IBIAS[8:0]. Any direct write to SET_IBIAS[8:1] resets the LSB.

**Modulation Current Setting Register (SET\_IMOD), Address: H0x09**

Bit	D7	D6	D5	D4	D3	D2	D1	D0
Bit Name	SET_IMOD[8]	SET_IMOD[7]	SET_IMOD[6]	SET_IMOD[5]	SET_IMOD[4]	SET_IMOD[3]	SET_IMOD[2]	SET_IMOD[1]
Read/Write	R/W	R/W	R/W	R/W	R/W	R/W	R/W	R/W
POR State	0	0	0	0	0	1	0	0

The SET\_IMOD register sets the laser modulation current DAC.

BIT	NAME	DESCRIPTION
D[7:0]	SET_IMOD[8:1]	The mod current DAC is controlled by a total of 9 bits. The SET_IMOD[8:1] bits are used to set the modulation current with even denominations from 0 to 510 bits. The LSB (SET_IMOD[0]) bit is controlled by the MODINC register and is used to set the odd denominations in the SET_IMOD[8:0]. Any direct write to SET_IMOD[8:1] resets the LSB.



## 11.3Gbps, Low-Power, AC-Coupled Laser Driver

### Maximum Modulation Current Setting Register (IMODMAX), Address: H0x0A

Bit	D7	D6	D5	D4	D3	D2	D1	D0
Bit Name	IMODMAX[7]	IMODMAX[6]	IMODMAX[5]	IMODMAX[4]	IMODMAX[3]	IMODMAX[2]	IMODMAX[1]	IMODMAX[0]
Read/Write	R/W	R/W	R/W	R/W	R/W	R/W	R/W	R/W
POR State	0	0	1	0	0	0	0	0

The IMODMAX register sets the upper limit of modulation current.

BIT	NAME	DESCRIPTION
D[7:0]	IMODMAX[7:0]	The IMODMAX register is an 8-bit register that can be used to limit the maximum modulation current. IMODMAX[7:0] is continuously compared to SET_IMOD[8:1].

### Maximum Bias Current Setting Register (IBIASMAX), Address: H0x0B

Bit	D7	D6	D5	D4	D3	D2	D1	D0
Bit Name	IBIASMAX[7]	IBIASMAX[6]	IBIASMAX[5]	IBIASMAX[4]	IBIASMAX[3]	IBIASMAX[2]	IBIASMAX[1]	IBIASMAX[0]
Read/Write	R/W	R/W	R/W	R/W	R/W	R/W	R/W	R/W
POR State	0	0	1	0	0	0	0	0

The IBIASMAX register sets the upper limit of bias current.

BIT	NAME	DESCRIPTION
D[7:0]	IBIASMAX[7:0]	The IBIASMAX register is an 8-bit register that can be used to limit the maximum bias current. IBIASMAX[7:0] is continuously compared to SET_IBIAS[8:1].

### Modulation Current Increment Setting Register (MODINC), Address: H0x0C

Bit	D7	D6	D5	D4	D3	D2	D1	D0
Bit Name	SET_IMOD[0]	X	X	MODINC[4]	MODINC[3]	MODINC[2]	MODINC[1]	MODINC[0]
Read/Write	R	X	X	R/W	R/W	R/W	R/W	R/W
POR State	0	X	X	0	0	0	0	0

The MODINC register increments/decrements the SET\_IMOD register.

BIT	NAME	DESCRIPTION
D7	SET_IMOD[0]	LSB of SET_IMOD register
D[4:0]	MODINC	This string of bits is used to increment or decrement the modulation current. When written to, the SET_IMOD[8:0] bits are updated. MODINC[4:0] are a two's complement string.

# 11.3Gbps, Low-Power, AC-Coupled Laser Driver

**Bias Current Increment Setting Register (BIASINC), Address: H0x0D**

Bit	D7	D6	D5	D4	D3	D2	D1	D0
Bit Name	SET_IBIAS[0]	X	X	BIASINC[4]	BIASINC[3]	BIASINC[2]	BIASINC[1]	BIASINC[0]
Read/Write	R	X	X	R/W	R/W	R/W	R/W	R/W
POR State	0	X	X	0	0	0	0	0

The BIASINC register increments/decrements the SET\_IBIAS register.

BIT	NAME	DESCRIPTION
D7	SET_IBIAS[0]	LSB of SET_IBIAS register.
D[4:0]	BIASINC	This string of bits is used to increment or decrement the modulation current. When written to, the SET_IBIAS[8:0] bits are updated. BIASINC[4:0] are a two's complement string.

**Mode Control Register (MODECTRL), Address: H0x0E**

Bit	D7	D6	D5	D4	D3	D2	D1	D0
Bit Name	MODECTRL[7]	MODECTRL[6]	MODECTRL[5]	MODECTRL[4]	MODECTRL[3]	MODECTRL[2]	MODECTRL[1]	MODECTRL[0]
Read/Write	R/W	R/W	R/W	R/W	R/W	R/W	R/W	R/W
POR State	0	0	0	0	0	0	0	0
Reset Upon Read	Yes*	Yes*	Yes*	Yes*	Yes*	Yes*	Yes*	Yes*

\*All three modes reset back to 0h on the next 3-wire access.

The MODECTRL register set the operational mode of the 3-wire control for the MAX3949.

BIT	NAME	DESCRIPTION
D[7:0]	MODECTRL[7:0]	The MODECTRL register enables the user to switch between normal and setup modes. The setup mode is achieved by setting this register to 12h. MODECTRL must be updated before each write operation. Exceptions are MODINC and BIASINC, which can be updated in normal mode. 00h: normal mode 12h: setup mode C9h: broadcast mode

## 11.3Gbps, Low-Power, AC-Coupled Laser Driver

**Fault Mask Register (FMSK), Address: H0x0F**

Bit	D7	D6	D5	D4	D3	D2	D1	D0
Bit Name	X	RESERVED	FMSK[5]	FMSK[4]	FMSK[3]	FMSK[2]	FMSK[1]	FMSK[0]
Read/Write	X	R/W	R/W	R/W	R/W	R/W	R/W	R/W
POR State	X	1	1	0	0	0	0	0
Reset Upon Read	X	No	No	No	No	No	No	No

The FMSK register sets masking for the fault circuitry.

BIT	NAME	DESCRIPTION
D6	RESERVED	Reserved. <b>This bit must be kept at logic 1 for all operations.</b>
D5	FMSK[5]	Input LOS FAULT condition mask. 0 = No mask 1 = Mask
D4	FMSK[4]	BIAS open or shorted to GND FAULT condition mask. 0 = No mask 1 = Mask
D3	FMSK[3]	TOUTA open or shorted to GND FAULT condition mask. 0 = No mask 1 = Mask
D2	FMSK[2]	TOUTC open or shorted to GND FAULT condition mask. 0 = No mask 1 = Mask
D1	FMSK[1]	V <sub>CC</sub> T open or shorted to GND FAULT condition mask. 0 = No mask 1 = Mask
D0	FMSK[0]	Masks the FAULT latch signal, which controls the output stage on/off behavior. 0 = No mask 1 = Mask When FMSK[0] = 1, output stage behavior becomes independent of FAULT conditions and is only controlled by DISABLE pin and TX_EN bit. Masking this bit has no impact on normal reporting of fault status bits and assertion of the FAULT pin.

## 11.3Gbps, Low-Power, AC-Coupled Laser Driver

**Transmitter Deemphasis Control Register (SET\_TXDE), Address: H0x10**

Bit	D7	D6	D5	D4	D3	D2	D1	D0
Bit Name	X	SET_TXDE[6]	SET_TXDE[5]	SET_TXDE[4]	SET_TXDE[3]	SET_TXDE[2]	SET_TXDE[1]	SET_TXDE[0]
Read/Write	X	R/W	R/W	R/W	R/W	R/W	R/W	R/W
POR State	X	0	0	0	0	0	1	0

The SET\_TXDE register sets the deemphasis amount for the transmitter when TXDE\_MD[1:0] is 10b.

BIT	NAME	DESCRIPTION
D[6:0]	SET_TXDE[6:0]	This is a 7-bit register used to control the amount of deemphasis on the transmitter output. When calculating the total modulation current, the amount of deemphasis must be taken into account. Deemphasis is set as a percentage of modulation current.

**Transmitter Equalization Control Register (SET\_TXEQ), Address: H0x11**

Bit	D7	D6	D5	D4	D3	D2	D1	D0
Bit Name	X	X	X	X	X	X	SET_TXEQ[1]	SET_TXEQ[0]
Read/Write	X	X	X	X	X	X	R/W	R/W
POR State	X	X	X	X	X	X	0	0

The SET\_TXEQ register sets the equalization amount for the transmitter input.

BIT	NAME	DESCRIPTION
D[1:0]	SET_TXEQ	This is a 2-bit register used to control the amount of equalization on the transmitter input. See Table 1 for more information.

# 11.3Gbps, Low-Power, AC-Coupled Laser Driver

## Design Procedure

### Programming Modulation Current

1) **IMODMAX**[7:0] = Maximum\_Modulation\_Current\_Value

2) **SET\_IMOD<sub>n</sub>**[8:0] = Present\_Modulation\_Current\_Value

**Note:** **SET\_IMOD**[8:1] are the bits that can be manually written. **SET\_IMOD**[0] can only be updated using the **MODINC** register.

When implementing modulation current temperature compensation, it is recommended to use the **MODINC** register, which guarantees the fastest modulation current update.

3) **MODINC<sub>n</sub>**[4:0] = New\_Increment\_Value

The device performs the following operation when **MODINC<sub>n</sub>**[4:0] is written to:

If (**SET\_IMOD<sub>n</sub>**[8:1] ≤ **IMODMAX**[7:0]), then  
**SET\_IMOD<sub>n</sub>**[8:0] = **SET\_IMOD<sub>n-1</sub>**[8:0] + **MODINC<sub>n</sub>**[4:0]  
 else (**SET\_IMOD<sub>n</sub>**[8:1] = **IMODMAX**[7:0])

The modulation DAC current can be calculated using the following equation:

$$I_{MOD\ DAC\ Current} = I_{MOD} = (16 + SET\_IMOD[8:0]) \times 247\mu A$$

The net modulation current (P-P) seen at the laser when driven differentially is calculated using the following equation:

$$LD_{MOD} = I_{MOD} \times (1 - DE) \times 50 / (50 + R)$$

where R is the differential load impedance of the laser plus any added series resistance, and DE is the deemphasis factor controlled by the **TX\_DEMD**[1:0] bits.

4) **TXCTRL**[4:3] = 00, DE = 0.0625 (~ 6% deemphasis case). In this mode, the device calculates and sets **SET\_TXDE**[6:0] = **SET\_IMOD**[8:2]. **SET\_TXDE** is not accessible for external write.

5) **TXCTRL**[4:3] = 00, DE = 0.03125 (~ 3% deemphasis case). In this mode, the device calculates and sets **SET\_TXDE**[6:0] = **SET\_IMOD**[8:3]. **SET\_TXDE** is not accessible for external write.

6) **TXCTRL**[4:3] = 00, **SET\_TXDE** can be externally set to any value ≥ **SET\_IMOD**[8:3]:

$$I_{DE} = (2 + SET\_TXDE[6:0]) \times 61.8\mu A$$

In this case DE = I<sub>DE</sub>/I<sub>MOD</sub>. The value of the DE factor starts close to 0.03 and can go up to 0.09 as the value of **SET\_TXDE**[6:0] is increased. Once the DE ratio is close to 0.09, the I<sub>DE</sub> saturates and a further increase in **SET\_TXDE**[6:0] value does not change I<sub>DE</sub> much.

7) **TXCTRL**[4:3] = 11, DE = 0.09 (~ 9% deemphasis case). In this mode, the device calculates and sets the **SET\_TXDE**[6:0] = 127. **SET\_TXDE** is not accessible for external write.

### Programming Bias Current

1) **IBIASMAX**[7:0] = Maximum\_Bias\_Current\_Value

2) **SET\_IBIAS<sub>n</sub>**[8:0] = Present\_Bias\_Current\_Value

**Note:** **SET\_IBIAS**[8:1] are the bits that can be manually written. **SET\_IBIAS**[0] can only be updated using the **BIASINC** register.

When implementing laser bias current temperature compensation, it is recommended to use the **BIASINC** register, which guarantees the fastest modulation current update.

3) **BIASINC<sub>n</sub>**[4:0] = New\_Increment\_Value

The device performs the following operation when **BIASINC<sub>n</sub>**[4:0] is written to:

If (**SET\_IBIAS<sub>n</sub>**[8:1] ≤ **IBIASMAX**[7:0]), then  
**SET\_IBIAS<sub>n</sub>**[8:0] = **SET\_IBIAS<sub>n-1</sub>**[8:0] + **BIASINC<sub>n</sub>**[4:0]  
 else (**SET\_IBIAS<sub>n</sub>**[8:1] = **IBIASMAX**[7:0])

The bias DAC current can be calculated using the following equation:

$$I_{BIAS\ DAC\ Current} = I_{BIAS} = (16 + SET\_IBIAS[8:0]) \times 200\mu A$$

# 11.3Gbps, Low-Power, AC-Coupled Laser Driver

## Applications Information

### Laser Safety and IEC 825

Using the MAX3949 laser driver alone does not ensure that a transmitter design is compliant with IEC 825. The entire transmitter circuit and component selections must be considered. Each user must determine the level of

fault tolerance required by the application, recognizing that Maxim products are neither designed nor authorized for use as components in systems intended for surgical implant into the body, for applications intended to support or sustain life, or for any other application in which the failure of a Maxim product could create a situation where personal injury or death could occur.

**Table 7. Register Summary**

REGISTER FUNCTION/ ADDRESS	REGISTER NAME	NORMAL MODE	SETUP MODE	BIT NUMBER/ TYPE	BIT NAME	DEFAULT VALUE	NOTES
Transmitter Control Register Address = H0x05	TXCTRL	R	R/W	7	Reserved	0	Must be kept at 0
		R	R/W	6	Reserved	0	Must be kept at 0
		R	R/W	5	Reserved	0	Must be kept at 0
		R	R/W	4	TXDE_MD[1]	0	Tx deemphasis control
		R	R/W	3	TXDE_MD[0]	0	Tx deemphasis control
		R	R/W	2	SOFTRES	0	Global digital reset
		R	R/W	1	TX_POL	1	Tx polarity 0: inverse, 1: normal
Transmitter Status Register 1 Address = H0x06	TXSTAT1	R	R	7 (sticky)	FST[7]	1	POR→V <sub>CC</sub> low-limit violation
		R	R	6 (sticky)	FST[6]	X	Reserved
		R	R	5 (sticky)	FST[5]	X	Low or no AC signal at input
		R	R	4 (sticky)	FST[4]	X	BIAS open or shorted to GND
		R	R	3 (sticky)	FST[3]	X	TOUTA open or shorted to GND
		R	R	2 (sticky)	FST[2]	X	TOUTC open or shorted to GND
		R	R	1 (sticky)	FST[1]	X	V <sub>CCT</sub> open or shorted to GND
		R	R	0 (sticky)	FST[0]	X	Copy of FAULT signal

## 11.3Gbps, Low-Power, AC-Coupled Laser Driver

**Table 7. Register Summary (continued)**

REGISTER FUNCTION/ ADDRESS	REGISTER NAME	NORMAL MODE	SETUP MODE	BIT NUMBER/ TYPE	BIT NAME	DEFAULT VALUE	NOTES
Transmitter Status Register 2 Address = H0x07	TXSTAT2	R	R	3 (sticky)	IMODERR	0	Modulation current overflow (on increment) or underflow (on decrement) error. Overflow occurs if result > IMODMAX. Underflow occurs if result < 0.
		R	R	2 (sticky)	IBIASERR	0	Bias current overflow (on increment) or underflow (on decrement) error. Overflow occurs if result > IBIASMAX. Underflow occurs if result < 0.
Bias Current Setting Register Address = H0x08	SET_IBIAS	R	R/W	7	SET_IBIAS[8]	0	MSB Bias DAC
		R	R/W	6	SET_IBIAS[7]	0	
		R	R/W	5	SET_IBIAS[6]	0	
		R	R/W	4	SET_IBIAS[5]	0	
		R	R/W	3	SET_IBIAS[4]	0	
		R	R/W	2	SET_IBIAS[3]	0	
		R	R/W	1	SET_IBIAS[2]	0	
Modulation Current Setting Register Address = H0x09	SET_IMOD	R	R/W	7	SET_IMOD[8]	0	MSB modulation DAC
		R	R/W	6	SET_IMOD[7]	0	
		R	R/W	5	SET_IMOD[6]	0	
		R	R/W	4	SET_IMOD[5]	0	
		R	R/W	3	SET_IMOD[4]	0	
		R	R/W	2	SET_IMOD[3]	1	
		R	R/W	1	SET_IMOD[2]	0	
Maximum Modulation Current Setting Register Address = H0x0A	IMODMAX	R	R/W	7	IMODMAX[7]	0	MSB modulation limit
		R	R/W	6	IMODMAX[6]	0	
		R	R/W	5	IMODMAX[5]	1	
		R	R/W	4	IMODMAX[4]	0	
		R	R/W	3	IMODMAX[3]	0	
		R	R/W	2	IMODMAX[2]	0	
		R	R/W	1	IMODMAX[1]	0	
		R	R/W	0	IMODMAX[0]	0	LSB modulation limit

# 11.3Gbps, Low-Power, AC-Coupled Laser Driver

**Table 7. Register Summary (continued)**

REGISTER FUNCTION/ ADDRESS	REGISTER NAME	NORMAL MODE	SETUP MODE	BIT NUMBER/ TYPE	BIT NAME	DEFAULT VALUE	NOTES
Maximum Bias DAC Current Setting Register <b>Address = H0x0B</b>	IBIASMAX	R	R/W	7	IBIASMAX[7]	0	MSB Bias DAC limit
		R	R/W	6	IBIASMAX[6]	0	
		R	R/W	5	IBIASMAX[5]	1	
		R	R/W	4	IBIASMAX[4]	0	
		R	R/W	3	IBIASMAX[3]	0	
		R	R/W	2	IBIASMAX[2]	0	
		R	R/W	1	IBIASMAX[1]	0	
Modulation Current Increment Setting Register <b>Address = H0x0C</b>	MODINC	R	R	7	SET_IMOD[0]	0	LSB of SET_IMOD DAC register address = H0x09
		R/W	R/W	4	MODINC[4]	0	MSB MOD DAC two's complement
		R/W	R/W	3	MODINC[3]	0	
		R/W	R/W	2	MODINC[2]	0	
		R/W	R/W	1	MODINC[1]	0	
Bias Current Increment Setting Register <b>Address = H0x0D</b>	BIASINC	R	R	7	SET_IBIAS[0]	0	LSB of SET_IBIAS DAC register address = H0x08
		R/W	R/W	4	BIASINC[4]	0	MSB Bias DAC two's complement increment/decrement
		R/W	R/W	3	BIASINC[3]	0	
		R/W	R/W	2	BIASINC[2]	0	
		R/W	R/W	1	BIASINC[1]	0	
Mode Control Register <b>Address = H0x0E</b>	MODECTRL	R/W	R/W	7	MODECTRL[7]	0	MSB mode control
		R/W	R/W	6	MODECTRL[6]	0	
		R/W	R/W	5	MODECTRL[5]	0	
		R/W	R/W	4	MODECTRL[4]	0	
		R/W	R/W	3	MODECTRL[3]	0	
		R/W	R/W	2	MODECTRL[2]	0	
		R/W	R/W	1	MODECTRL[1]	0	
R/W	R/W	0	MODECTRL[0]	0	LSB mode control		



# 11.3Gbps, Low-Power, AC-Coupled Laser Driver

**Table 7. Register Summary (continued)**

REGISTER FUNCTION/ ADDRESS	REGISTER NAME	NORMAL MODE	SETUP MODE	BIT NUMBER/ TYPE	BIT NAME	DEFAULT VALUE	NOTES
Fault Mask Register Address = H0x0F	FMSK	R	R/W	6	RESERVED	1	Must be kept at logic 1
		R	R/W	5	FMSK[5]	1	MSB Tx fault mask
		R	R/W	4	FMSK[4]	0	
		R	R/W	3	FMSK[3]	0	
		R	R/W	2	FMSK[2]	0	
		R	R/W	0	FMSK[0]	0	LSB Tx fault mask
Transmitter Deemphasis Control Register Address = H0x10	SET_TXDE	R	R/W	6	SET_TXDE[6]	0	MSB Tx deemphasis
		R	R/W	5	SET_TXDE[5]	0	
		R	R/W	4	SET_TXDE[4]	0	
		R	R/W	3	SET_TXDE[3]	0	
		R	R/W	2	SET_TXDE[2]	0	
		R	R/W	0	SET_TXDE[0]	0	LSB Tx deemphasis
Transmitter Equalization Control Register Address = H0x11	SET_TXEQ	R	R/W	1	SET_TXEQ[1]	0	Tx equalization control
		R	R/W	0	SET_TXEQ[0]	0	Tx equalization control

### Layout Considerations

The data inputs and outputs are the most critical paths for the MAX3949 and great care should be taken to minimize discontinuities on these transmission lines. The following are some suggestions for maximizing the performance of the IC:

- Use good high-frequency layout techniques and multilayer boards with an uninterrupted ground plane to minimize EMI and crosstalk.
- The data inputs should be wired directly between the module connector and IC without stubs.
- Maintain 100Ω differential transmission line impedance into the IC.
- The data transmission lines to the laser should be kept as short as possible, and must be designed for 50Ω differential or 25Ω single-ended characteristic impedance.

- An uninterrupted ground plane should be positioned beneath the high-speed I/Os.
- Ground path vias should be placed close to the IC and the input/output interfaces to allow a return current path to the IC and the laser.

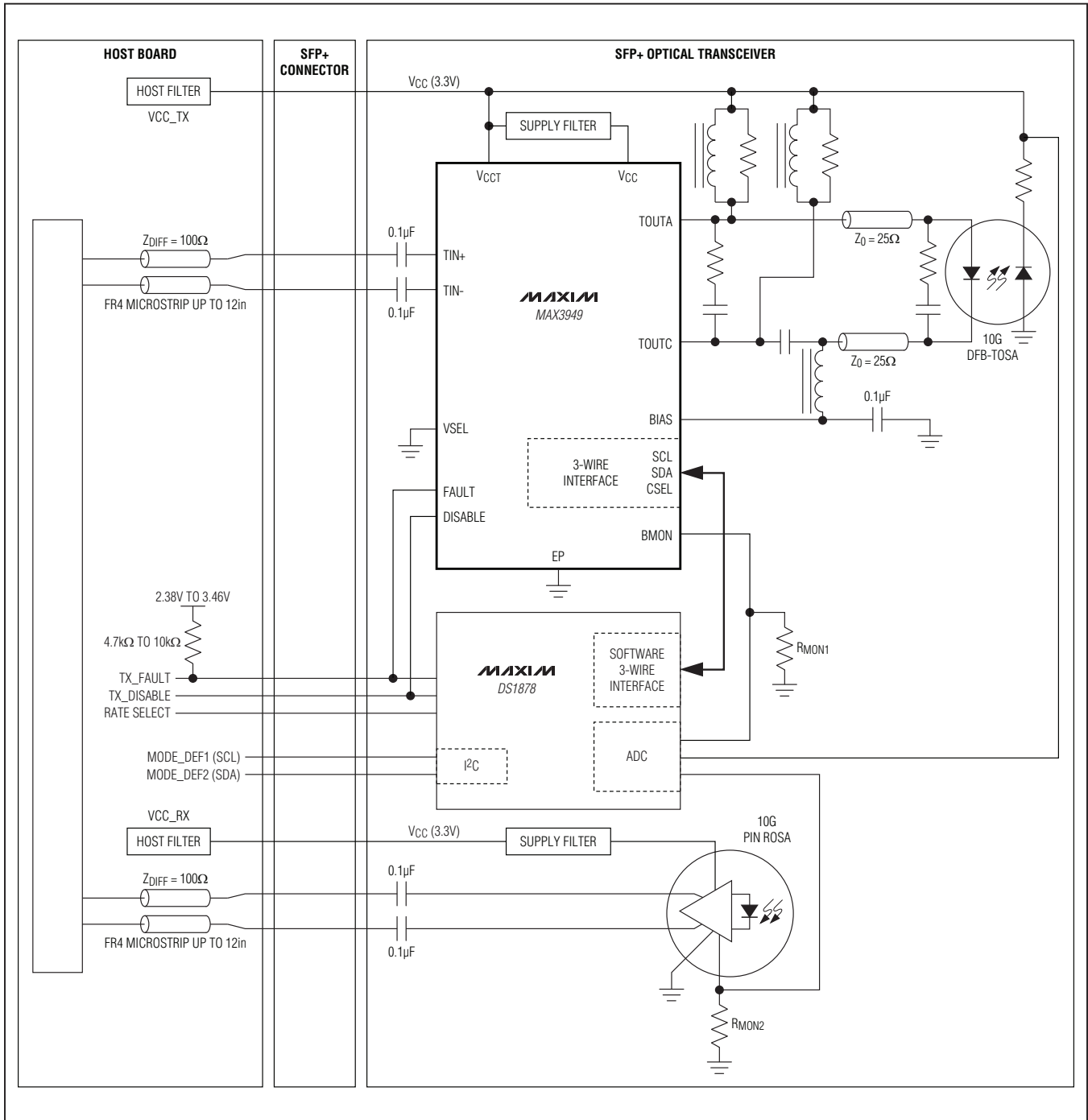
Refer to the schematic and board layers of MAX3949 Evaluation Kit for more information.

### Exposed-Pad Package and Thermal Considerations

The exposed pad on the 16-pin TQFN package provides a very low-thermal resistance path for heat removal from the IC. The pad is the only electrical ground on the MAX3949 and must be soldered to the circuit board ground for proper thermal and electrical performance. Refer to [Application Note 862: HFAN-08.1: Thermal Considerations for QFN and Other Exposed-Paddle Packages](#) for additional information.

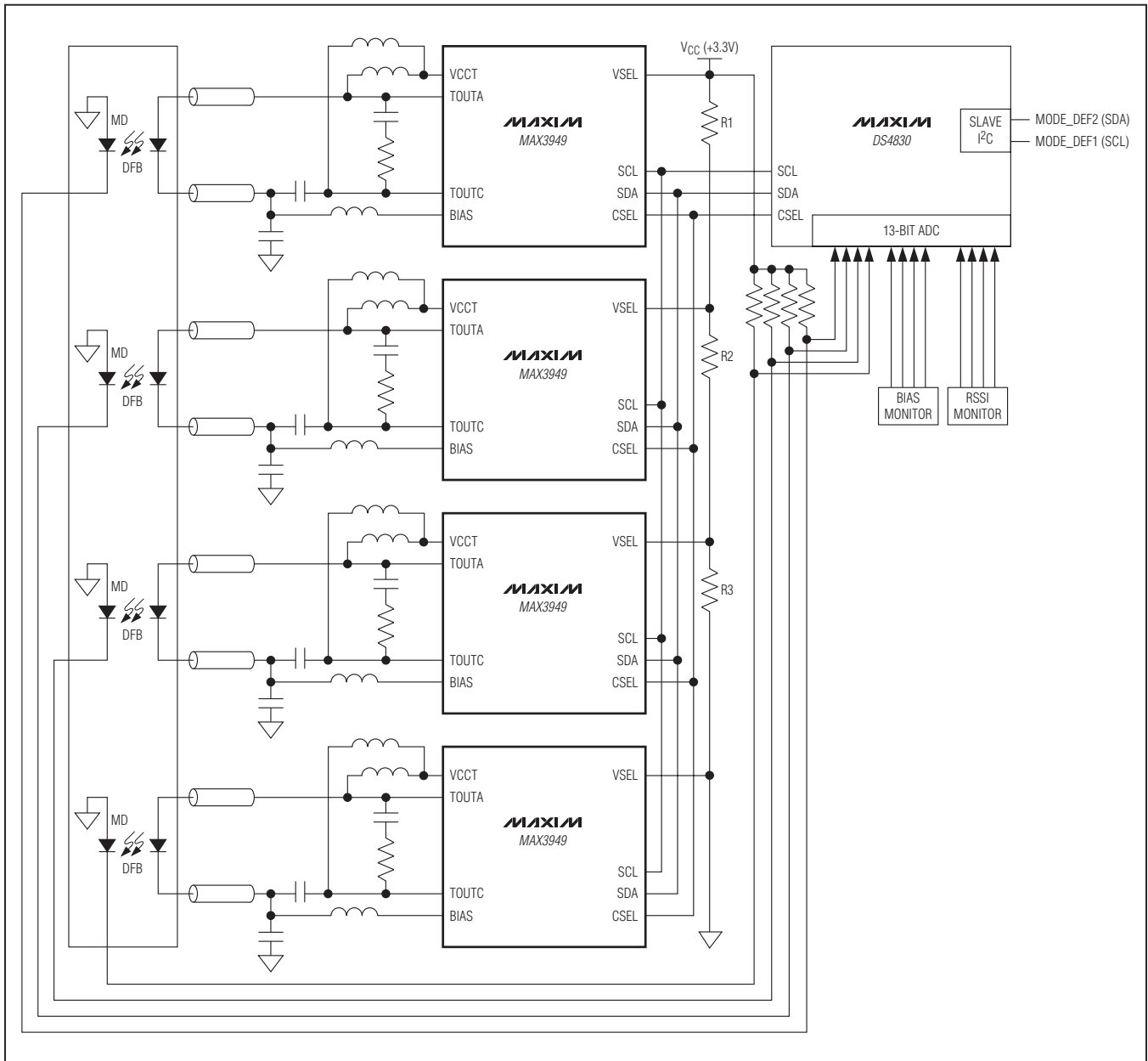
# 11.3Gbps, Low-Power, AC-Coupled Laser Driver

## Typical Application Circuits



## 11.3Gbps, Low-Power, AC-Coupled Laser Driver

### Typical Application Circuits (continued)



## 11.3Gbps, Low-Power, AC-Coupled Laser Driver

### Ordering Information

PART	TEMP RANGE	PIN-PACKAGE
MAX3949ETE+	-40°C to +85°C	16 TQFN-EP*

**Note:** Parts are guaranteed by design and characterization to operate over the -40°C to +95°C ambient temperature range ( $T_A$ ) and are tested up to +85°C.

+Denotes a lead(Pb)-free/RoHS-compliant package.

\*Exposed pad.

### Package Information

For the latest package outline information and land patterns (footprints), go to [www.maxim-ic.com/packages](http://www.maxim-ic.com/packages). Note that a "+", "#", or "-" in the package code indicates RoHS status only. Package drawings may show a different suffix character, but the drawing pertains to the package regardless of RoHS status.

PACKAGE TYPE	PACKAGE CODE	OUTLINE NO.	LAND PATTERN NO.
16 TQFN-EP	T1633+5	<a href="#">21-0136</a>	<a href="#">90-0032</a>

### Chip Information

PROCESS: SiGe BiPOLAR

**11.3Gbps, Low-Power, AC-Coupled Laser Driver****Revision History**

REVISION NUMBER	REVISION DATE	DESCRIPTION	PAGES CHANGED
0	6/12	Initial release	—

*Maxim cannot assume responsibility for use of any circuitry other than circuitry entirely embodied in a Maxim product. No circuit patent licenses are implied. Maxim reserves the right to change the circuitry and specifications without notice at any time. The parametric values (min and max limits) shown in the Electrical Characteristics table are guaranteed. Other parametric values quoted in this data sheet are provided for guidance.*

**Maxim Integrated Products, 160 Rio Robles, San Jose, CA 95134 1-408-601-1000 \_\_\_\_\_ 37**

Компания «Life Electronics» занимается поставками электронных компонентов импортного и отечественного производства от производителей и со складов крупных дистрибьюторов Европы, Америки и Азии.

С конца 2013 года компания активно расширяет линейку поставок компонентов по направлению коаксиальный кабель, кварцевые генераторы и конденсаторы (керамические, пленочные, электролитические), за счёт заключения дистрибьюторских договоров

Мы предлагаем:

- Конкурентоспособные цены и скидки постоянным клиентам.
- Специальные условия для постоянных клиентов.
- Подбор аналогов.
- Поставку компонентов в любых объемах, удовлетворяющих вашим потребностям.
- Приемлемые сроки поставки, возможна ускоренная поставка.
- Доставку товара в любую точку России и стран СНГ.
- Комплексную поставку.
- Работу по проектам и поставку образцов.
- Формирование склада под заказчика.
- Сертификаты соответствия на поставляемую продукцию (по желанию клиента).
- Тестирование поставляемой продукции.
- Поставку компонентов, требующих военную и космическую приемку.
- Входной контроль качества.
- Наличие сертификата ISO.

В составе нашей компании организован Конструкторский отдел, призванный помогать разработчикам, и инженерам.

Конструкторский отдел помогает осуществить:

- Регистрацию проекта у производителя компонентов.
- Техническую поддержку проекта.
- Защиту от снятия компонента с производства.
- Оценку стоимости проекта по компонентам.
- Изготовление тестовой платы монтаж и пусконаладочные работы.



Тел: +7 (812) 336 43 04 (многоканальный)  
Email: [org@lifeelectronics.ru](mailto:org@lifeelectronics.ru)