

# Specification

## AX42XX

SSC		Customer
Drawn	Approval	Approval

# Contents

1. Description
2. Part number
3. Mechanical dimensions
4. Optical and thermal characteristics
5. Color spectrum,  $T_a=25^{\circ}\text{C}$
6. Radiant pattern,  $T_a=25^{\circ}\text{C}$
7. Relative Flux vs. Junction temperature
8. Color coordinate variation vs. Junction temperature
9. I-V characteristics,  $T_a=25^{\circ}\text{C}$
10. Relative Flux vs. Forward voltage
11. Binning structure graphical representation
12. Operating instructions
13. Recommended solder pad
14. Emitter Reel Packaging
15. Solder profile
16. Precaution for use

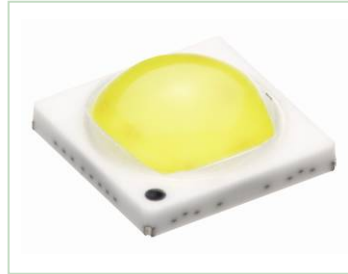
## AX42XX

### Description

Acriche series is designed for AC source operation and high flux output applications.

Acriche is a semi-permanent and environmental semiconductor lighting that can be used in AC without additional device.

Acriche's thermal management perform exceeds other power LED solutions. It incorporates state of the art SMD design and Thermal emission material. Acriche is ideal light sources for general illumination Applications.



### Features

- Connect directly in AC power
- Power Saving
- Long Life Time
- Simple BOM
- Miniaturization
- Low thermal resistance
- SMT solderability
- Lead Free product
- RoHS compliant

### Applications

- Architectural lighting
- Residential lighting
- Task lighting
- Decorative / Pathway lighting





\* The appearance and specifications of the product can be changed for improvement without notice.


**Part number**

**1. Part Number form : A X<sub>1</sub> X<sub>2</sub> X<sub>3</sub> X<sub>4</sub> X<sub>5</sub> - X<sub>6</sub>X<sub>7</sub> - X<sub>8</sub>X<sub>9</sub>X<sub>10</sub>X<sub>11</sub>**

<b>X<sub>1</sub></b>	<b>Color</b>	<b>N</b>	Warm white
<b>X<sub>2</sub></b>	<b>Acriche series</b>	<b>4</b>	A4 series
<b>X<sub>3</sub></b>	<b>Lens type</b>	<b>2</b>	Dome type
<b>X<sub>4</sub></b>	<b>Voltage</b>	<b>0</b>	100V,RMS (PCB)
		<b>1</b>	110V,RMS (PCB)
		<b>2</b>	220V,RMS (PCB)
		<b>3</b>	230V,RMS (PCB)
		<b>4</b>	50,55V,RMS (Emitter)
<b>X<sub>5</sub></b>	<b>PCB type</b>	<b>0</b>	Emitter
		<b>1</b>	4W Compact
		<b>2</b>	4W Square
		<b>3</b>	4W Line
		<b>4</b>	8W Bulb
<b>X<sub>6</sub></b>	-	-	Internal code
<b>X<sub>7</sub></b>	-	-	Internal code
<b>X<sub>8</sub></b>	<b>Brightness bin</b>	-	-
<b>X<sub>9</sub></b>	<b>Color bin</b>	-	-
<b>X<sub>10</sub></b>	<b>Color bin</b>	-	-
<b>X<sub>11</sub></b>	<b>VF bin</b>	-	-

**2. Sticker Diagram on Reel & Aluminum Vinyl Bag**

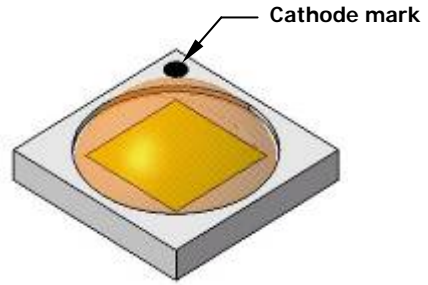
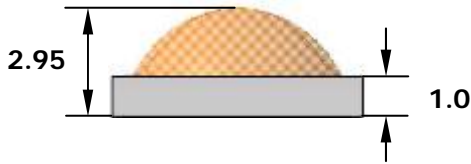
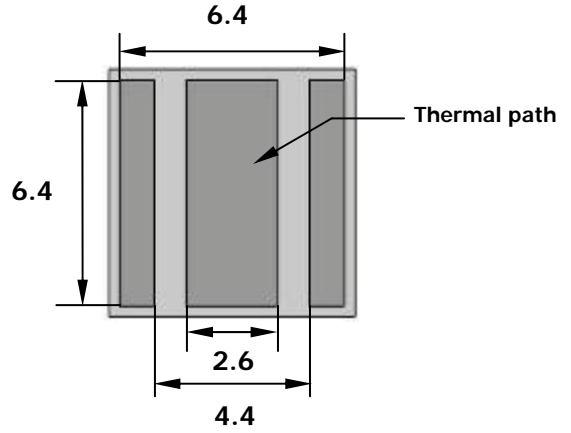
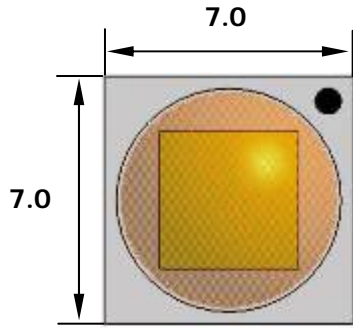
PART NO. : A X<sub>1</sub> X<sub>2</sub> X<sub>3</sub> X<sub>4</sub> X<sub>5</sub> - X<sub>6</sub> X<sub>7</sub>  
  
 QUANTITY : ###  
  
 LOT NUMBER : #####  
  
 BIN CODE : X<sub>8</sub> X<sub>9</sub> X<sub>10</sub> X<sub>11</sub>  




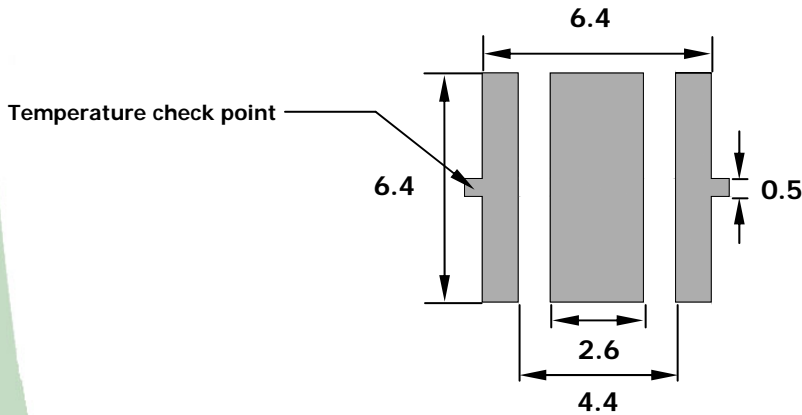
\* For more information about binning and labeling, refer to the AX42XX Bin & Labeling  
 \* For more information about PCB type, refer to the AX42XX module specification

**Mechanical dimensions**

**1. Outline dimensions**



**2. Recommended PCB solder pad**



\* Notes :

- [1] All dimensions are in millimeters. (Tolerance :  $\pm 0.2$ )
- [2] Scale : none
- [3] The appearance and specifications of the product may be changed for improvement without notice
- [4] Electrically neutral thermal path

## Optical and thermal characteristics

### 1. Warm white

1-1 Electro-Optical characteristics at 55V[RMS] Ta=25°C

Parameter	Symbol	Value			Unit
		Min	Typ	Max	
Luminous Flux <sup>[1]</sup>	$\Phi_V$ <sup>[2]</sup>	-	50	-	lm
Illuminance <sup>[3]</sup>	$\Phi_I$	-	100	-	lx
Correlated Color Temperature <sup>[4]</sup>	CCT	-	3000	-	K
CRI	R <sub>a</sub>	-	85	-	-
Operating Current	I <sub>opt</sub>	-	20	-	mA [RMS]
Power Dissipation	P <sub>D</sub>	0.76			W
Operating Frequency	Freq	50 / 60			Hz
Thermal resistance	R <sub>th</sub>	10			°C/W
View Angle	2 $\Theta$ 1/2	134			deg.

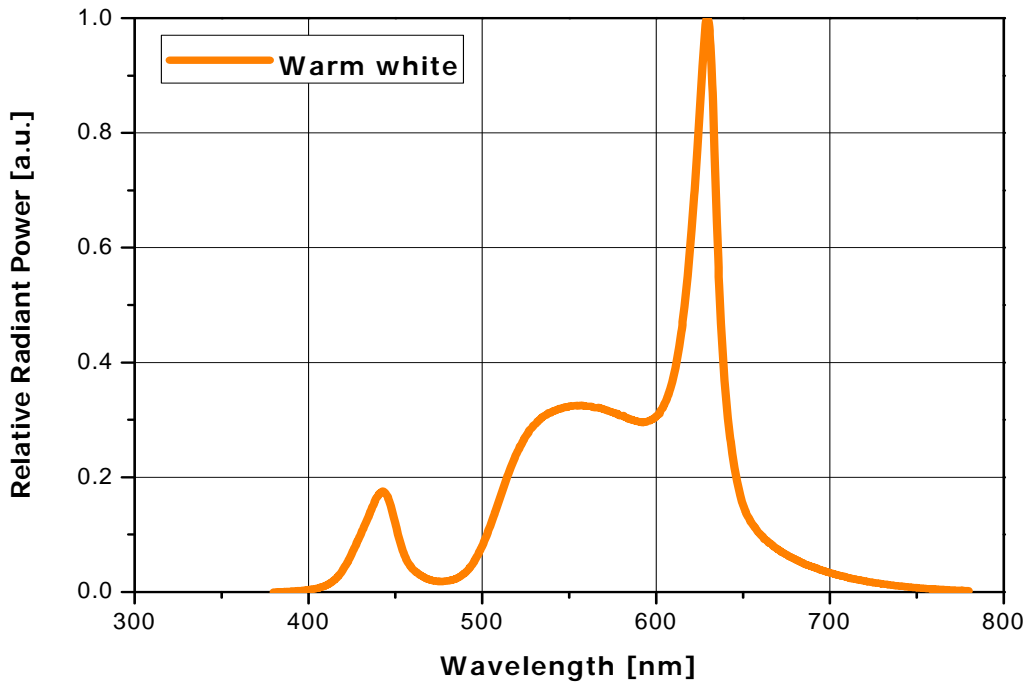
1-2 Absolute Maximum Ratings

Parameter	Symbol	Value	Unit
Operating Voltage	V <sub>opt</sub> <sup>[5]</sup>	63	V [RMS]
Power Dissipation	P <sub>D</sub>	1.4	W
Junction Temperature	T <sub>J</sub>	125	°C
Operating Temperature	T <sub>opr</sub>	-30 ~ +85	°C
Storage Temperature	T <sub>stg</sub>	-40 ~ +120	°C
ESD Sensitivity	-	±6,000V HBM	-

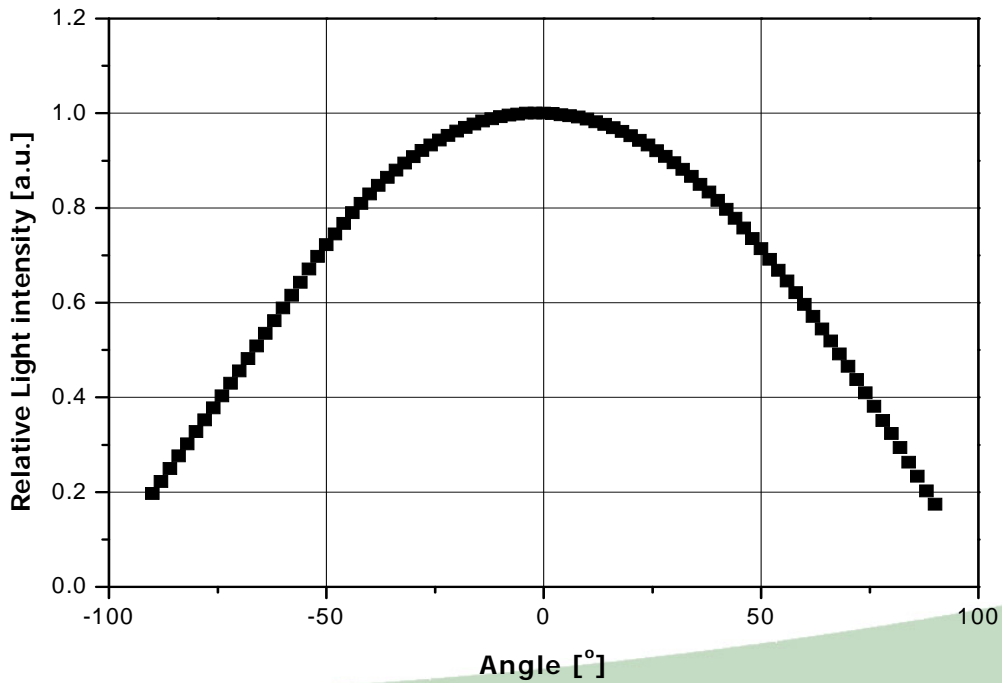
\* Notes :

- [1] Acriche series maintains a tolerance of ±10% on flux and power measurements.
- [2]  $\Phi_V$  is the total luminous flux output as measured with an integrated sphere.
- [3] Illuminance is measured at 50cm distance
- [4] Correlated Color Temperature is derived from the CIE 1931 Chromaticity diagram.  
CCT ±5% tester tolerance
- [5] 'Operating Voltage' doesn't indicate the maximum voltage which customers use, but it means tolerable voltage according to the voltage variation rate by one's country.  
It is recommended that the temperature of solder pad should be below 70°C.

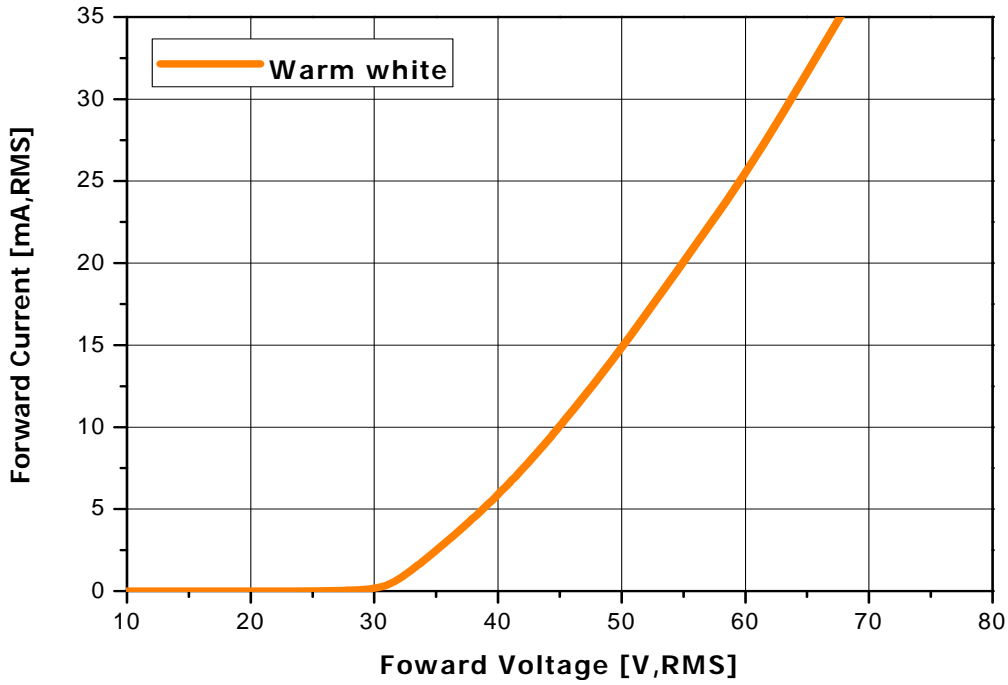
**Color spectrum, Ta=25°C**



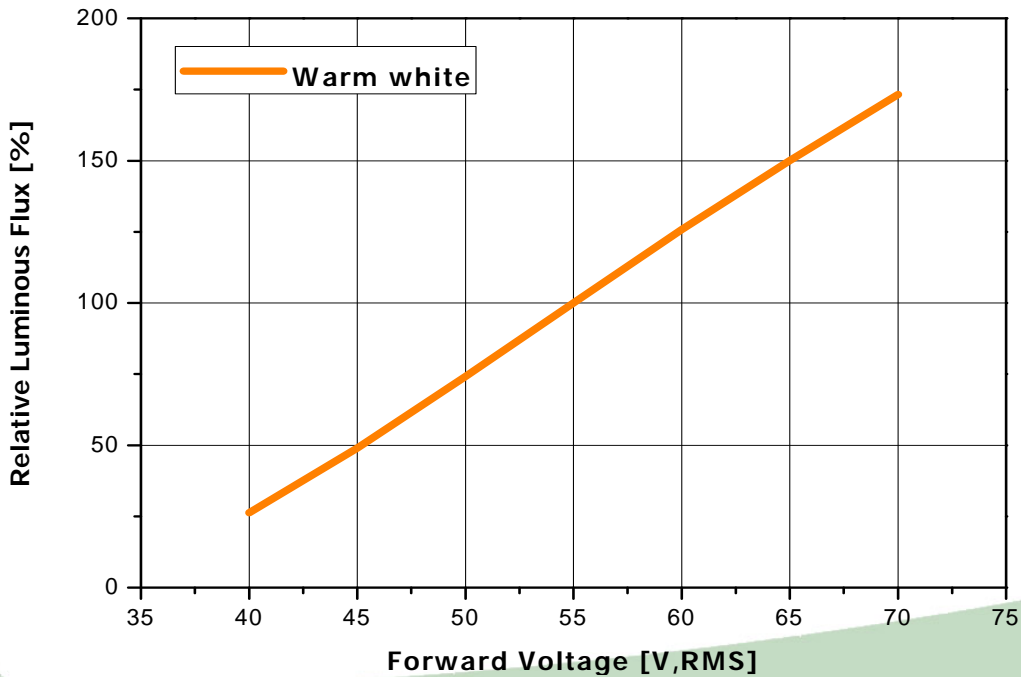
**Radiation pattern, Ta=25°C**



**IV characteristics, Ta=25°C**

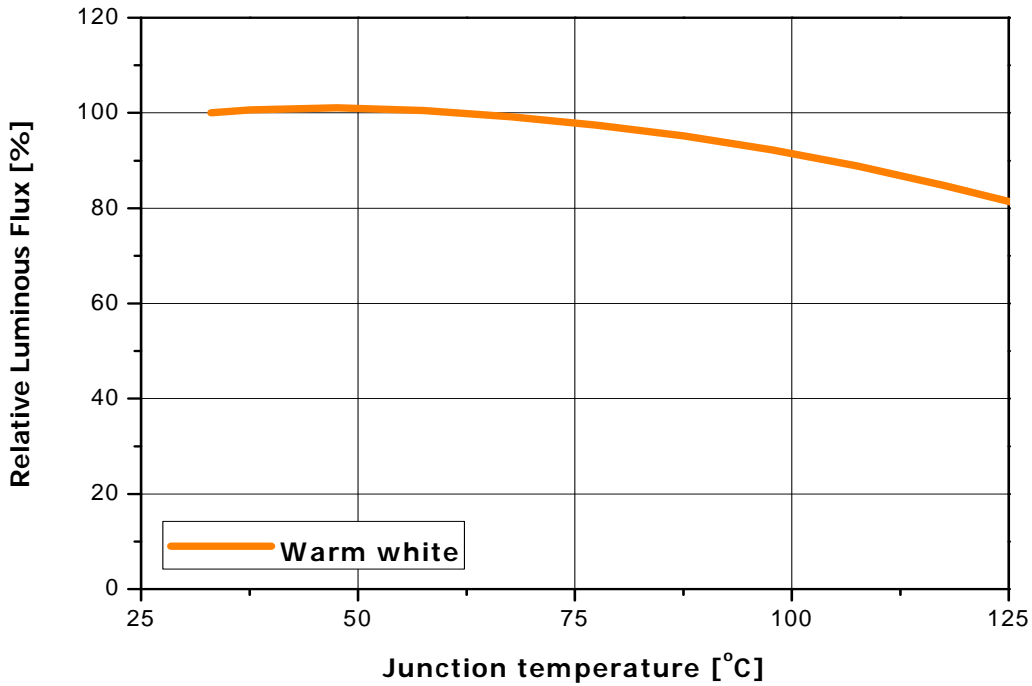


**Relative Flux vs. Forward voltage**

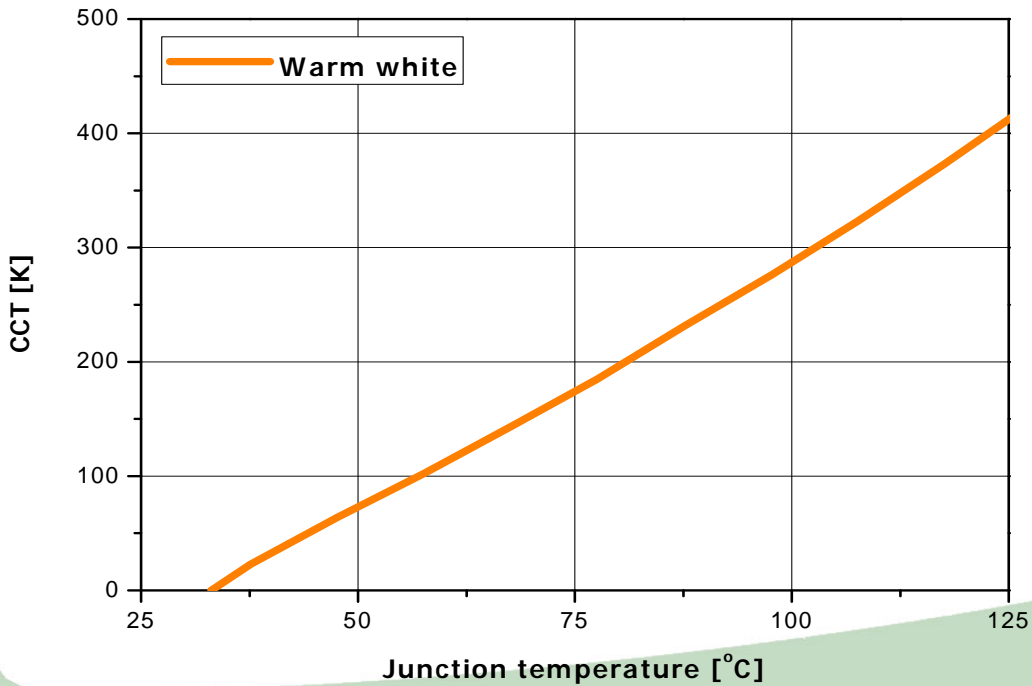




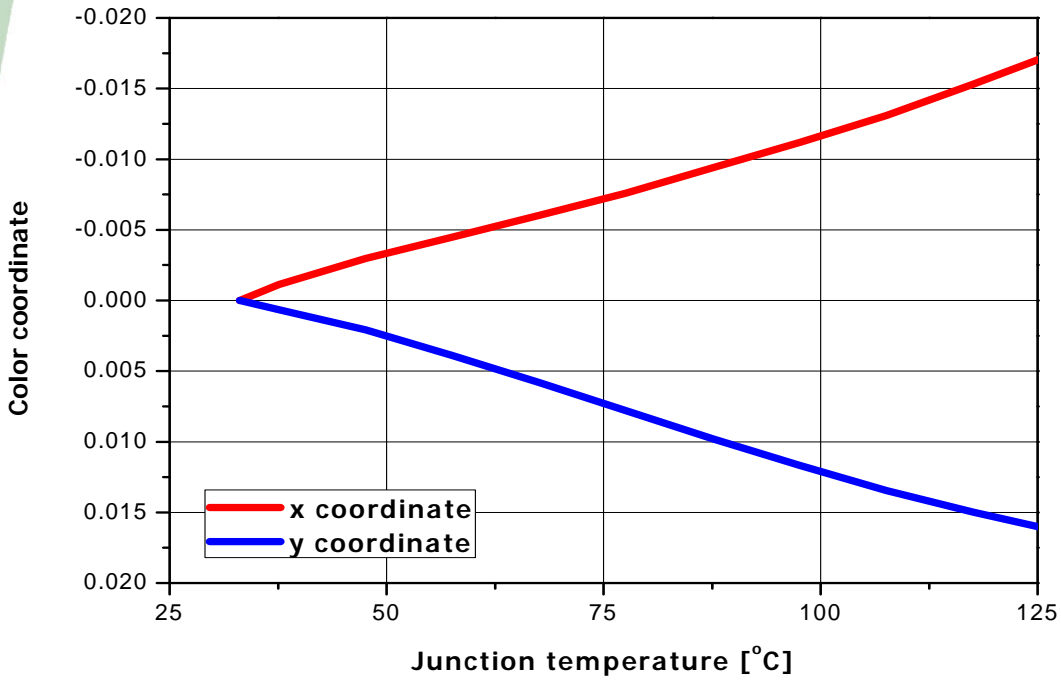
**Relative Flux vs. Junction temperature (20mA,RMS@55V,RMS)**



**CCT variation vs. Junction temperature (20mA,RMS@55V,RMS)**

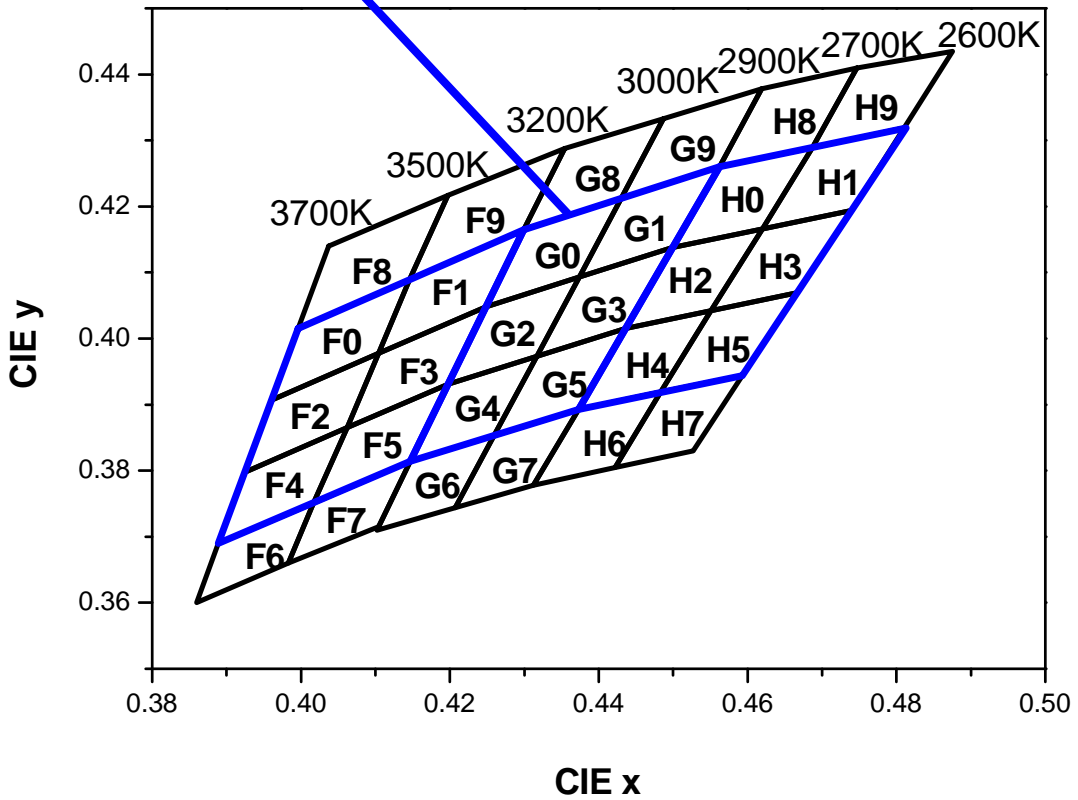


**Color coordinate vs. Junction temperature (20mA,RMS@55V,RMS)**



Binning structure graphical representation

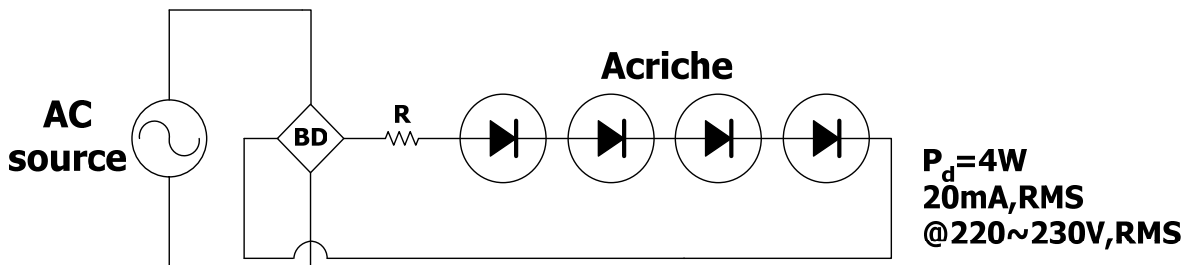
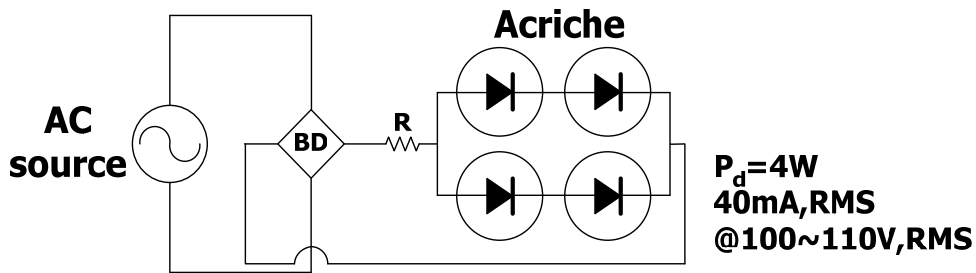
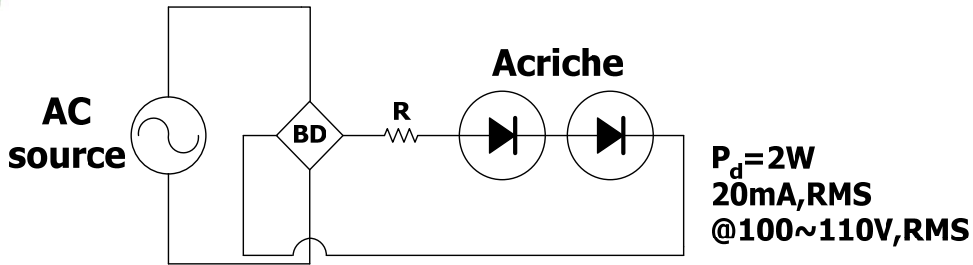
Energy Star Rank



\* For more information about binning and labeling, refer to the Application Note -1

## Operating instructions

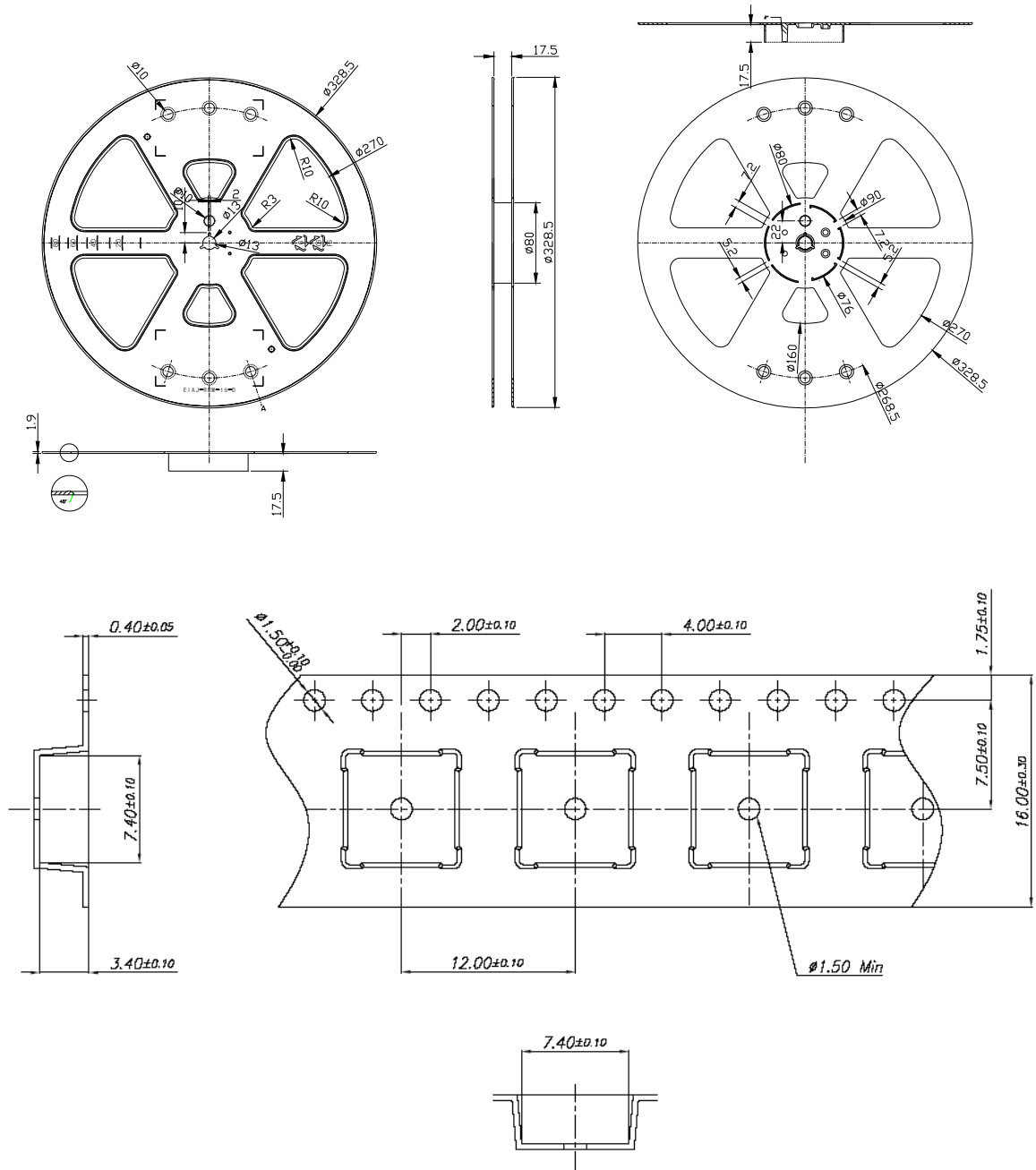
### 1. Basic connections of AX42XX for AC source



\* Notes :

- [1] A4 series need bridge diode and external resistor.
- [2] The tolerance of current is  $\pm 5\%$  on each resistance rank.
- [3] For more information about Acrich connection, refer to the Application Note.

Emitter Reel Packaging

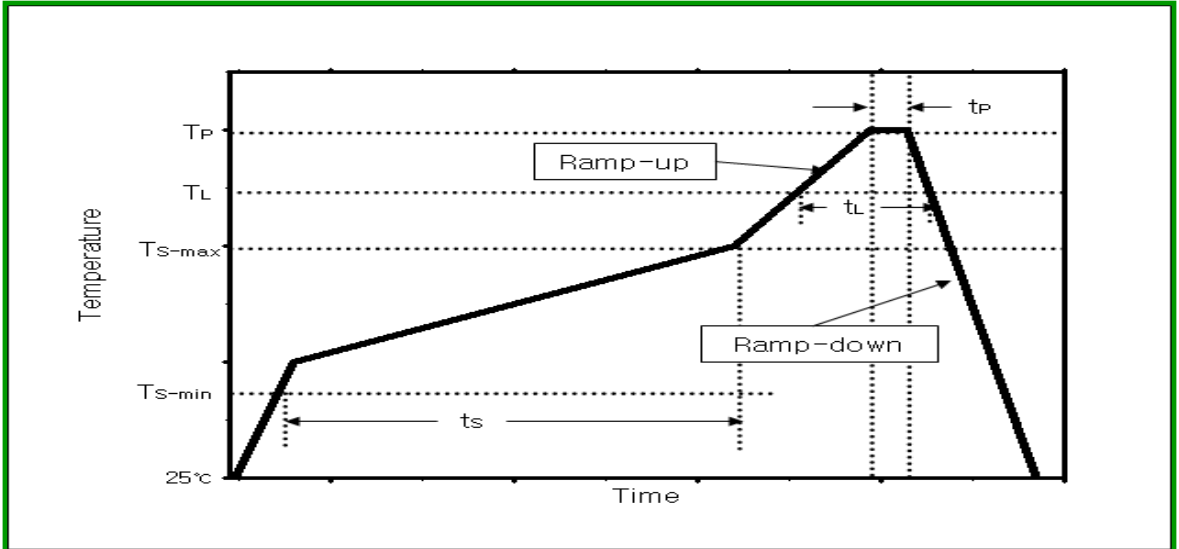


\* Notes :

- [1] The number of loaded products in the reel is 1000ea
- [2] All dimensions are in millimeters (tolerance :  $\pm 0.2$ )
- [3] Scale none

## Solder profile

### 1. Reflow solder conditions / profile



Reflow condition	Pb-Free assembly
Average ramp-up rate (Ts-max to Peak)	2~3°C / second
Preheat Temperature Min (Ts-min)	150°C
Preheat Temperature Max (Ts-max)	200°C
Time maintained above: : Liquidus Temperature (TL)	217~220°C
Time maintained above: Time (tL)	60~150 seconds
Peak Temperature (TP)	250°C
Time within 5°C of actual Peak Temperature (tp)	20~40 seconds
ramp-down rate	4~6°C / second
Time 25°C to Peak Temperature	6 minutes max

### 2. Hand Solder conditions

- 2-1 Lead : Not more than 3 seconds @MAX280°C
- 2-2 Slug : Use a thermal-adhesives

#### \* Caution

- [1] Reflow soldering should not be done more than one time.
- [2] Repairing should not be done after the LEDs have been soldered. When repairing is unavoidable, suitable tools have to be used.
- [3] Die slug is to be soldered.
- [4] When soldering, do not put stress on the LEDs during heating.
- [5] After soldering, do not warp the circuit board.
- [6] Recommend to use a convection type reflow machine with 7 ~ 8 zones. Rev. 03

Компания «Life Electronics» занимается поставками электронных компонентов импортного и отечественного производства от производителей и со складов крупных дистрибьюторов Европы, Америки и Азии.

С конца 2013 года компания активно расширяет линейку поставок компонентов по направлению коаксиальный кабель, кварцевые генераторы и конденсаторы (керамические, пленочные, электролитические), за счёт заключения дистрибьюторских договоров

Мы предлагаем:

- Конкурентоспособные цены и скидки постоянным клиентам.
- Специальные условия для постоянных клиентов.
- Подбор аналогов.
- Поставку компонентов в любых объемах, удовлетворяющих вашим потребностям.
- Приемлемые сроки поставки, возможна ускоренная поставка.
- Доставку товара в любую точку России и стран СНГ.
- Комплексную поставку.
- Работу по проектам и поставку образцов.
- Формирование склада под заказчика.
- Сертификаты соответствия на поставляемую продукцию (по желанию клиента).
- Тестирование поставляемой продукции.
- Поставку компонентов, требующих военную и космическую приемку.
- Входной контроль качества.
- Наличие сертификата ISO.

В составе нашей компании организован Конструкторский отдел, призванный помогать разработчикам, и инженерам.

Конструкторский отдел помогает осуществить:

- Регистрацию проекта у производителя компонентов.
- Техническую поддержку проекта.
- Защиту от снятия компонента с производства.
- Оценку стоимости проекта по компонентам.
- Изготовление тестовой платы монтаж и пусконаладочные работы.



Тел: +7 (812) 336 43 04 (многоканальный)

Email: [org@lifeelectronics.ru](mailto:org@lifeelectronics.ru)