

**AUTOMOTIVE COMPLIANT DUAL AND QUAD DIFFERENTIAL COMPARATORS**

**Description**

The LM2901Q/2903Q series comparators consist of four and two independent precision voltage comparators with very low input offset voltage specification. They are designed to operate from a single power supply over a wide range of voltages; however operation from split power supplies is also possible. They offer low power supply current independent of the magnitude of the power supply voltage.

The LM2901Q/2903Q series comparators are designed to directly interface with TTL and CMOS.

The LM2903Q dual devices are available in SO-8, MSOP-8 and TSSOP-8; and the LM2901Q quad devices are available in SO-14 and TSSOP-14 - all are in industry-standard pinouts.

All use "green" mold compound and are qualified to AEC-Q100 Grade 1 and are Automotive Compliant supporting PPAPs.

**Features**

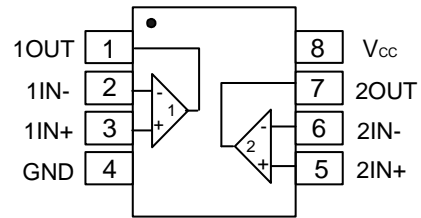
- Wide Power Supply Range:
  - Single Supply: 2V to 36V
  - Dual Supplies:  $\pm 1.0V$  to  $\pm 18V$
- Very Low Supply Current Drain – Independent of Supply Voltage
  - LM2903Q: 0.6mA
  - LM2901Q: 0.9mA
- Low Input Bias Current: 25nA
- Low Input Offset Current:  $\pm 5nA$
- Typical Offset Voltage:
  - Non-A Device: 2mV
  - A Device: 1mV
- Common-Mode Input Voltage Range Includes Ground
- Differential Input Voltage Range Equal to the Power Supply Voltage
- Low Output Saturation Voltage:
  - LM2903Q: 200mV at 4mA
  - LM2901Q: 100mV at 4mA
- Output Voltage Compatible with TTL, MOS and CMOS
- **Totally Lead-Free & Fully RoHS Compliant (Notes 1 & 2)**
- **Halogen and Antimony Free. "Green" Device (Note 3)**
- **Qualified to AEC-Q100 Grade 1**
- **PPAP Capable (Note 4)**

- Notes:
1. No purposely added lead. Fully EU Directive 2002/95/EC (RoHS) & 2011/65/EU (RoHS 2) compliant.
  2. See [http://www.diodes.com/quality/lead\\_free.html](http://www.diodes.com/quality/lead_free.html) for more information about Diodes Incorporated's definitions of Halogen- and Antimony-free, "Green" and Lead-free.
  3. Halogen- and Antimony-free "Green" products are defined as those which contain <900ppm bromine, <900ppm chlorine (<1500ppm total Br + Cl) and <1000ppm antimony compounds.
  4. Automotive products are AEC-Q100 qualified and are PPAP capable. Refer [http://www.diodes.com/quality/product\\_compliance\\_definitions/](http://www.diodes.com/quality/product_compliance_definitions/).

**Pin Assignments**

LM2903Q/ LM2903AQ

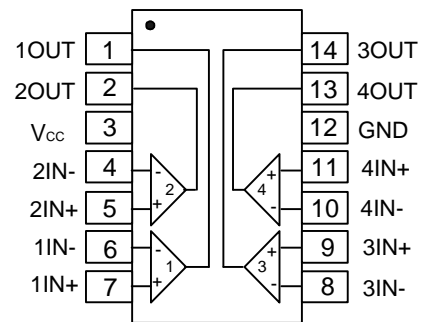
(Top View)



**SO-8/TSSOP-8/MSOP-8**

LM2901Q/ LM2901AQ

(Top View)



**SO-14/TSSOP-14**

## Schematic Diagram



**Functional Block Diagram of LM2901Q/2901AQ/2903Q/2903AQ  
(Each Comparator)**

## Pin Descriptions

| LM2901Q, LM2901AQ |       |                               |
|-------------------|-------|-------------------------------|
| Pin Name          | Pin # | Function                      |
| 1OUT              | 1     | Channel 1 Output              |
| 2OUT              | 2     | Channel 2 Output              |
| V <sub>CC</sub>   | 3     | Chip Supply Voltage           |
| 2IN-              | 4     | Channel 2 Inverting Input     |
| 2IN+              | 5     | Channel 2 Non-Inverting Input |
| 1IN-              | 6     | Channel 1 Inverting Input     |
| 1IN+              | 7     | Channel 1 Non-Inverting Input |
| 3IN-              | 8     | Channel 3 Inverting Input     |
| 3IN+              | 9     | Channel 3 Non-Inverting Input |
| 4IN-              | 10    | Channel 4 Inverting Input     |
| 4IN+              | 11    | Channel 4 Non-Inverting Input |
| GND               | 12    | Ground                        |
| 4OUT              | 13    | Channel 4 Output              |
| 3OUT              | 14    | Channel 3 Output              |
| LM2903Q, LM2903AQ |       |                               |
| 1OUT              | 1     | Channel 1 Output              |
| 1IN-              | 2     | Channel 1 Inverting Input     |
| 1IN+              | 3     | Channel 1 Non-inverting Input |
| GND               | 4     | Ground                        |
| 2IN+              | 5     | Channel 2 Non-Inverting Input |
| 2IN-              | 6     | Channel 2 Inverting Input     |
| 2OUT              | 7     | Channel 2 Output              |
| V <sub>CC</sub>   | 8     | Chip Supply Voltage           |

**Absolute Maximum Ratings** (Note 5) (@T<sub>A</sub> = +25°C, unless otherwise specified.)

| Symbol            | Parameter   | Rating        | Unit |      |
|-------------------|---|---------------|------|------|
| V <sub>CC</sub>   | Supply Voltage                                      | 36            | V    |      |
| V <sub>ID</sub>   | Differential Input Voltage                          | 36            | V    |      |
| V <sub>IN</sub>   | Input Voltage                                       | -0.3 to +36   | V    |      |
| I <sub>IN</sub>   | Input Current (V <sub>IN</sub> < -0.3V)             | 50            | mA   |      |
| V <sub>O</sub>    | Output Voltage                                      | 36            | V    |      |
| I <sub>O</sub>    | Output Current                                      | 20            | mA   |      |
| —                 | Duration of Output Short Circuit to Ground (Note 6) | Unlimited     | —    |      |
| θ <sub>JA</sub>   | Package Thermal Impedance (Note 7)                  | LM2903_QS-13  | 150  | °C/W |
|                   |   | LM2903_QTH-13 | 175  |      |
|                   |   | LM2903_QM8-13 | 200  |      |
|                   |   | LM2901_QS14   | 89   |      |
|                   |   | LM2901_QT14   | 100  |      |
| T <sub>A</sub>    | Operating Temperature Range                         | -40 to +125   | °C   |      |
| T <sub>J</sub>    | Operating Junction Temperature                      | +150          | °C   |      |
| T <sub>ST</sub>   | Storage Temperature Range                           | -65 to +150   | °C   |      |
| T <sub>LEAD</sub> | Lead Temperature (Soldering, 10 seconds)            | +260          | °C   |      |

- Notes:
- Stresses beyond those listed under absolute maximum ratings may cause permanent damage to the device. These are stress ratings only; functional operation of the device at these or any other conditions beyond those indicated under recommended operating conditions is not implied. Exposure to absolute-maximum-rated conditions for extended periods may affect device reliability.
  - Short circuits from outputs to V<sub>CC</sub> can cause excessive heating and eventual destruction.
  - Maximum power dissipation is a function of T<sub>J(MAX)</sub>, θ<sub>JA</sub>, and T<sub>A</sub>. The maximum allowable power dissipation at any allowable ambient temperature is  $P_D = (T_{J(MAX)} - T_A) / \theta_{JA}$ . Operating at the absolute maximum T<sub>J</sub> of +150°C can affect reliability.

**ESD Ratings**

|   |               |       |   |
|---|---------------|-------|---|
| Human Body Mode ESD Protection (Note 8) | LM2901_QS14   | 500   | V |
|   | LM2901_QT14   | 500   |   |
|   | LM2903_QS-13  | 500   |   |
|   | LM2903_QTH-13 | 500   |   |
|   | LM2903_QM8-13 | <500  |   |
| Charge Device Mode ESD Protection       | LM2901_QS14   | 1,000 | V |
|   | LM2901_QT14   |       |   |
|   | LM2903_QS-13  |       |   |
|   | LM2903_QTH-13 |       |   |
|   | LM2903_QM8-13 |       |   |

Note: 8. Human body model, 1.5kΩ in series with 100pF.

**Recommended Operating Conditions** (Over Operating Free-Air Temperature Range, unless otherwise noted.)

| Parameter                  |               | Min | Max  | Units |
|----------------------------|---------------|-----|------|-------|
| Supply Voltage             | Single Supply | 2   | 36   | V     |
|                            | Dual Supply   | ±1  | ±18  |       |
| Ambient Temperature Range  |               | -40 | +125 | °C    |
| Junction Temperature Range |               | -40 | +125 |       |

**Electrical Characteristics** (Notes 9 & 10) (@ $V_{CC} = 5.0V$ ,  $GND = 0V$ ,  $T_A = +25^\circ C$ , unless otherwise specified.)

**LM2901Q, LM2901AQ**

| Parameter     |                                   | Conditions   |                 | $T_A$               | Min                 | Typ | Max | Unit    |
|---------------|-----------------------------------|--|-----------------|---------------------|---------------------|-----|-----|---------|
| $V_{IO}$      | Input Offset Voltage              | $V_{IC} = V_{CMR} \text{ Min,}$<br>$V_O = 1.4V,$<br>$V_{CC} = 5V \text{ to } 30V$<br>(Note 11) | Non-A Device    | $T_A = +25^\circ C$ | —                   | 2   | 7   | mV      |
|               |                                   |  |                 | Full Range          | —                   | —   | 15  |         |
|               |                                   |  | A-Suffix Device | $T_A = +25^\circ C$ | —                   | 1   | 2   |         |
|               |                                   |  |                 | Full Range          | —                   | —   | 4   |         |
| $I_B$         | Input Bias Current                | $I_{IN+}$ or $I_{IN-}$ with OUT in Linear Range,<br>$V_{CM} = 0V$ (Note 12)                    |                 | $T_A = +25^\circ C$ | —                   | 25  | 250 | nA      |
|               |                                   |  |                 | Full Range          | —                   | —   | 500 |         |
| $I_{IO}$      | Input Offset Current              | $I_{IN+} - I_{IN-}, V_{CM} = 0V$   |                 | $T_A = +25^\circ C$ | —                   | 5   | 50  | nA      |
|               |                                   |  |                 | Full Range          | —                   | —   | 200 |         |
| $V_{CMR}$     | Input Common-Mode Voltage Range   | $V_{CC} = 30V$ (Note 13)   |                 | $T_A = +25^\circ C$ | 0 to $V_{CC} - 1.5$ | —   | —   | V       |
|               |                                   |  |                 | Full Range          | 0 to $V_{CC} - 2$   | —   | —   |         |
| $I_{CC}$      | Supply Current (Four Comparators) | $R_L = \infty$ on Quad Channels  | $V_{CC} = 30V$  | $T_A = +25^\circ C$ | —                   | 1.2 | 2.5 | mA      |
|               |                                   |  |                 | Full range          | —                   | —   | 3.5 |         |
|               |                                   |  | $V_{CC} = 5V$   | $T_A = +25^\circ C$ | —                   | 0.9 | 2   |         |
|               |                                   |  |                 | Full Range          | —                   | —   | 3.0 |         |
| $A_V$         | Voltage Gain                      | $V_{CC} = 15V, V_{OUT} = 1V \text{ to } 11V,$<br>$R_L \geq 15k\Omega,$                         |                 | $T_A = +25^\circ C$ | 50                  | 200 | —   | V/mV    |
| —             | Large Signal Response Time        | $V_{IN} = \text{TTL Logic Swing, } V_{REF} = 1.4V,$<br>$V_{RL} = 5V, R_L = 5.1k\Omega$         |                 | $T_A = +25^\circ C$ | —                   | 300 | —   | ns      |
| —             | Response Time                     | $V_{RL} = 5V, R_L = 5.1k\Omega$ (Note 14)  |                 | $T_A = +25^\circ C$ | —                   | 1.3 | —   | $\mu s$ |
| $I_{O(SINK)}$ | Output Sink Current               | $V_{IN-} = 1V, V_{IN+} = 0, V_O \leq 1.5V$   |                 | $T_A = +25^\circ C$ | 6                   | 16  | —   | mA      |
| $V_{SAT}$     | Saturation Voltage                | $V_{IN-} = 1V, V_{IN+} = 0, I_{SINK} \leq 4mA$   |                 | $T_A = +25^\circ C$ | —                   | 100 | 400 | mV      |
|               |                                   |  |                 | Full Range          | —                   | —   | 700 |         |
| $I_{O(LEAK)}$ | Output Leakage Current            | $V_{IN-} = 0V, V_{IN+} = 1, V_O = 5V$  |                 | $T_A = +25^\circ C$ | —                   | 0.1 | —   | nA      |
|               |                                   |  |                 | Full Range          | —                   | —   | 1   | $\mu A$ |
| $V_{ID}$      | Differential Input Voltage        | All $V_{IN} \geq 0V$ (or $V_-$ if used) (Note 15)  |                 | Full Range          | —                   | —   | 36  | V       |

- Notes:
9. Typical values represent the most likely parametric norm as determined at the time of characterization. Actual typical values may vary over time and will also depend on the application and configuration. The typical values are not tested and are not guaranteed on shipped production material.
  10. All limits are guaranteed by testing or statistical analysis. Limits over the full temperature ( $-40 \leq T_A \leq +125^\circ C$ ) are guaranteed by design, but not tested in production.
  11.  $V_O \cong 1.4V, R_S = 0\Omega$  with  $V_{CC}$  from 5V to 30V.
  12. The direction of the input current is out of the IC due to the PNP input stage. This current is essentially constant, independent of the state of the output so no loading change exists on the input lines.
  13. The input common-mode voltage of either input signal voltage should not be allowed to go negative by more than 0.3V (@  $+25^\circ C$ ). The upper end of the common-mode voltage range is  $V_{CC} - 1.5V$  (@  $+25^\circ C$ ), but either or both inputs can go to +36V without damage, independent of the magnitude of  $V_{CC}$ .
  14. The response time specified is for a 100mV step input with 5mV overdrive. For larger overdrive signals 300ns can be obtained, see typical performance characteristics.
  15. Positive excursions of input voltage may exceed the power supply level. As long as other voltages remain within the common mode range, the comparator will provide a proper output stage. The low voltage state must not be less than -0.3V (or 0.3V below the magnitude of the negative power supply, if used).

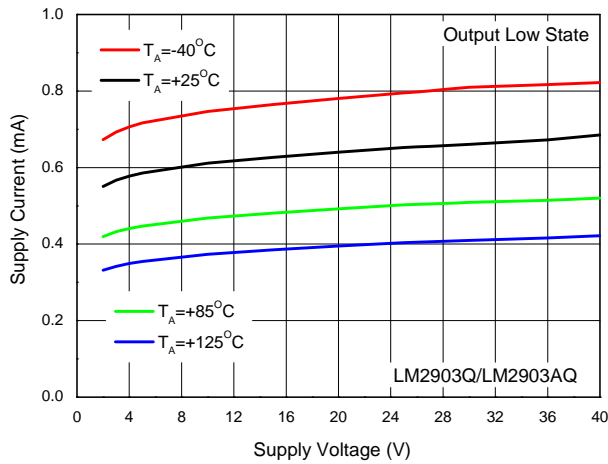
**Electrical Characteristics** (continued) (Notes 9 & 10) (@ $V_{CC} = 5.0V$ ,  $GND = 0V$ ,  $T_A = +25^\circ C$ , unless otherwise specified.)

**LM2903Q, LM2903AQ**

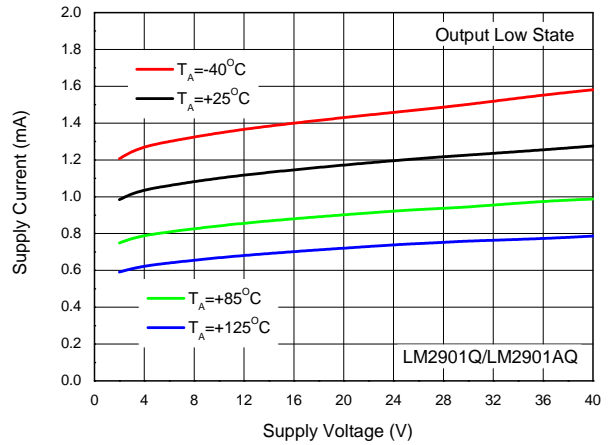
| Parameter     |                                 | Conditions  |                     | $T_A$               | Min | Typ | Max     | Unit |
|---------------|---------------------------------|---|---------------------|---------------------|-----|-----|---------|------|
| $V_{IO}$      | Input Offset Voltage            | $V_{IC} = V_{CMR} \text{ Min,}$<br>$V_O = 1.4V,$<br>$V_{CC} = 5V \text{ to } =30V$<br>(Note 11) | Non-A Device        | $T_A = +25^\circ C$ | —   | 2   | 7       | mV   |
|               |                                 |   |                     | Full Range          | —   | —   | 15      |      |
|               |                                 |   | A-Suffix Device     | $T_A = +25^\circ C$ | —   | 1   | 2       |      |
|               |                                 |   |                     | Full Range          | —   | —   | 4       |      |
| $I_B$         | Input Bias Current              | $I_{IN+}$ or $I_{IN-}$ with OUT in Linear Range,<br>$V_{CM} = 0V$ (Note 12)                     | $T_A = +25^\circ C$ | —                   | 25  | 250 | nA      |      |
|               |                                 |   | Full Range          | —                   | —   | 500 |         |      |
| $I_{IO}$      | Input Offset Current            | $I_{IN+} - I_{IN-}, V_{CM} = 0V$  | $T_A = +25^\circ C$ | —                   | 5   | 50  | nA      |      |
|               |                                 |   | Full Range          | —                   | —   | 200 |         |      |
| $V_{CMR}$     | Input Common-Mode Voltage Range | $V_{CC} = 30V$ (Note 13)  | $T_A = +25^\circ C$ | 0 to $V_{CC} - 1.5$ | —   | —   | V       |      |
|               |                                 |   | Full Range          | 0 to $V_{CC} - 2$   | —   | —   |         |      |
| $I_{CC}$      | Supply Current                  | $R_L = \infty$ on Both Channels   | $V_{CC} = 30V$      | $T_A = +25^\circ C$ | —   | 0.7 | 1.7     | mA   |
|               |                                 |   |                     | Full Range          | —   | —   | 3.0     |      |
|               |                                 |   | $V_{CC} = 5V$       | $T_A = +25^\circ C$ | —   | 0.6 | 1       |      |
|               |                                 |   |                     | Full Range          | —   | —   | 2.0     |      |
| $A_V$         | Voltage Gain                    | $V_{CC} = 15V, V_{OUT} = 1V \text{ to } 11V,$<br>$R_L \geq 15k\Omega,$                          | $T_A = +25^\circ C$ | 50                  | 200 | —   | V/mV    |      |
| —             | Large Signal Response Time      | $V_{IN} = \text{TTL Logic Swing, } V_{REF} = 1.4V,$<br>$V_{RL} = 5V, R_L = 5.1k\Omega$          | $T_A = +25^\circ C$ | —                   | 300 | —   | ns      |      |
| —             | Response Time                   | $V_{RL} = 5V, R_L = 5.1k\Omega$ (Note 14)   | $T_A = +25^\circ C$ | —                   | 1.3 | —   | $\mu s$ |      |
| $I_{O(SINK)}$ | Output Sink Current             | $V_{IN-} = 1V, V_{IN+} = 0, V_O \leq 1.5V$  | $T_A = +25^\circ C$ | 6                   | 16  | —   | mA      |      |
| $V_{SAT}$     | Saturation Voltage              | $V_{IN-} = 1V, V_{IN+} = 0, I_{SINK} \leq 4mA$  | $T_A = +25^\circ C$ | —                   | 200 | 400 | mV      |      |
|               |                                 |   | Full Range          | —                   | —   | 700 |         |      |
| $I_{O(LEAK)}$ | Output Leakage Current          | $V_{IN-} = 0V, V_{IN+} = 1, V_O = 5V$   | $T_A = +25^\circ C$ | —                   | 0.1 | —   | nA      |      |
|               |                                 | $V_{IN-} = 0V, V_{IN+} = 1, V_O = 30V$  | Full Range          | —                   | —   | 1   | $\mu A$ |      |
| $V_{ID}$      | Differential Input Voltage      | All $V_{IN} \geq 0V$ (or $V_-$ if used) (Note 15)   | Full Range          | —                   | —   | 36  | V       |      |

- Notes:
9. Typical values represent the most likely parametric norm as determined at the time of characterization. Actual typical values may vary over time and will also depend on the application and configuration. The typical values are not tested and are not guaranteed on shipped production material
  10. All limits are guaranteed by testing or statistical analysis. Limits over the full temperature ( $-40 \leq T_A \leq +125^\circ C$ ) are guaranteed by design, but not tested in production.
  11.  $V_O \cong 1.4V, R_S = 0\Omega$  with  $V_{CC}$  from 5V to 30V.
  12. The direction of the input current is out of the IC due to the PNP input stage. This current is essentially constant, independent of the state of the output so no loading change exists on the input lines.
  13. The input common-mode voltage of either input signal voltage should not be allowed to go negative by more than 0.3V (@  $+25^\circ C$ ). The upper end of the common-mode voltage range is  $V_{CC} - 1.5V$  (@  $+25^\circ C$ ), but either or both inputs can go to +36V without damage, independent of the magnitude of  $V_{CC}$ .
  14. The response time specified is for a 100mV step input with 5mV overdrive. For larger overdrive signals 300ns can be obtained, see typical performance characteristics.
  15. Positive excursions of input voltage may exceed the power supply level. As long as other voltages remain within the common-mode range, the comparator will provide a proper output stage. The low voltage state must not be less than -0.3V (or 0.3V below the magnitude of the negative power supply, if used).

**Performance Characteristics**



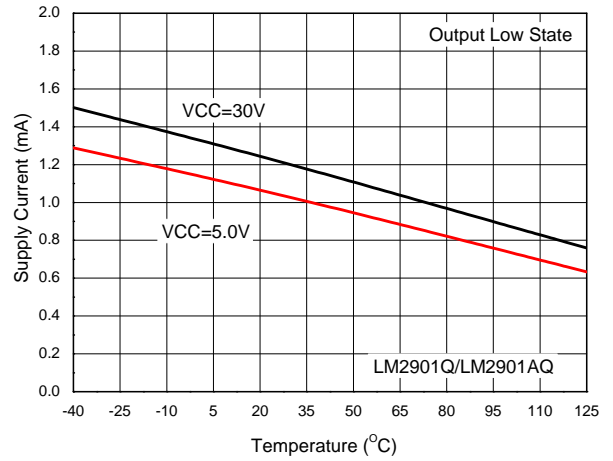
Supply Current vs. Supply Voltage



Supply Current vs. Supply Voltage



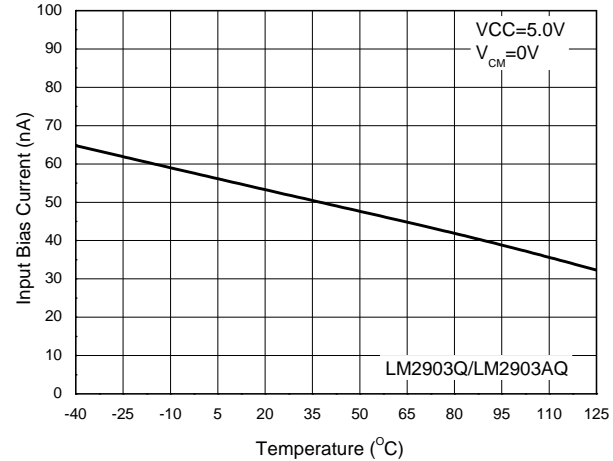
Supply Current vs. Temperature



Supply Current vs. Temperature



Input Bias Current vs. Supply Voltage

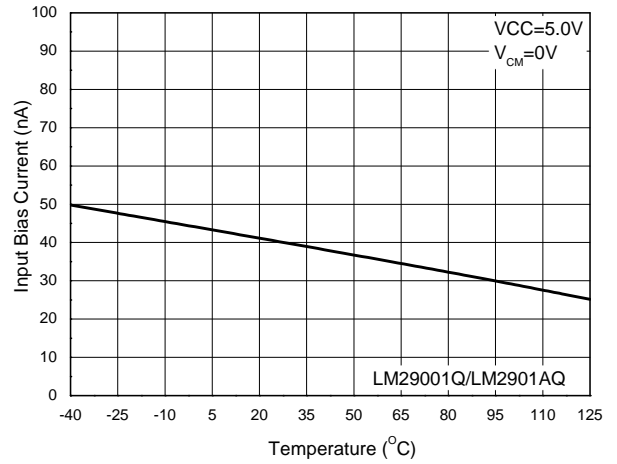


Input Bias Current vs. Temperature

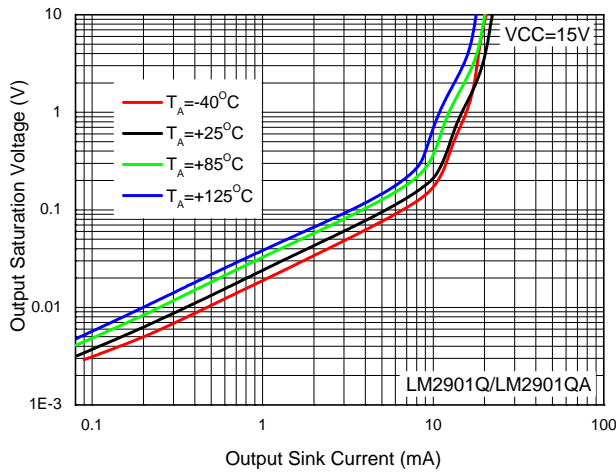
**Performance Characteristics** (continued)



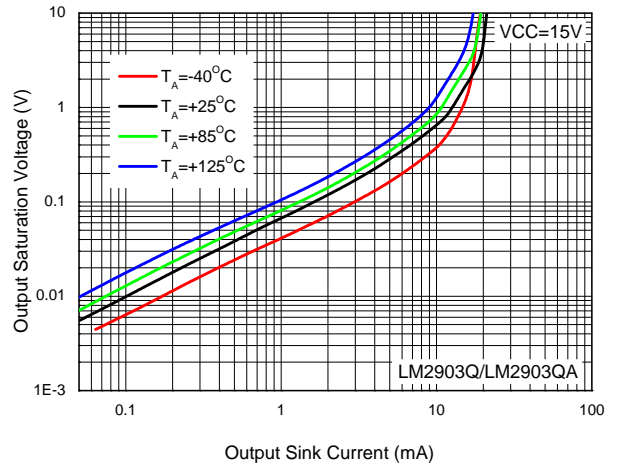
Input Bias Current vs. Supply Voltage



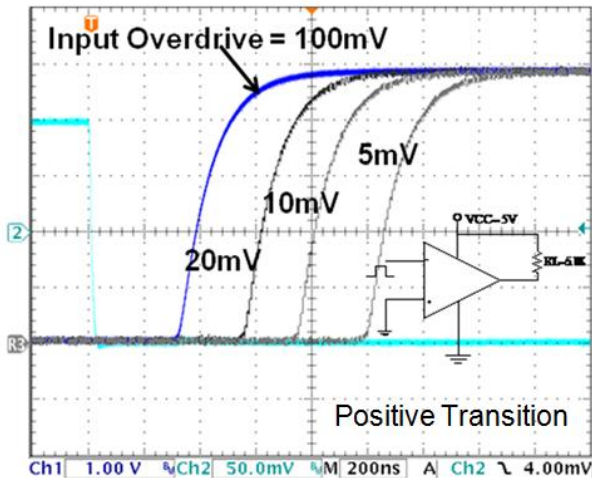
Input Bias Current vs. Temperature



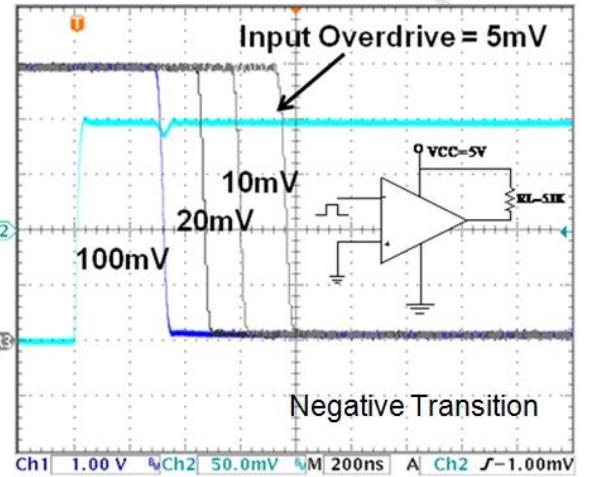
Output Saturation Voltage vs. Sink Current



Output Saturation Voltage vs. Sink Current

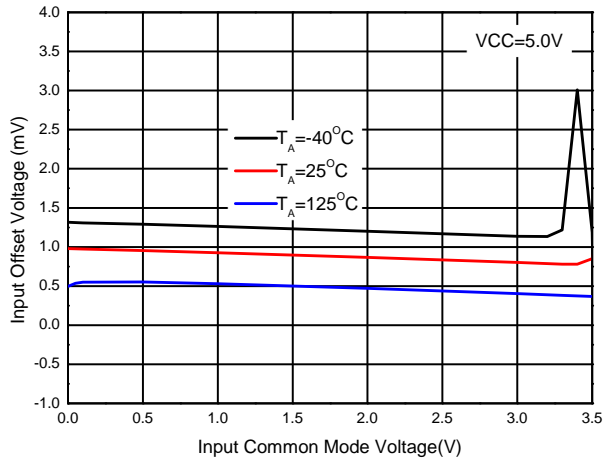


Response Time for Various Input Overdrive

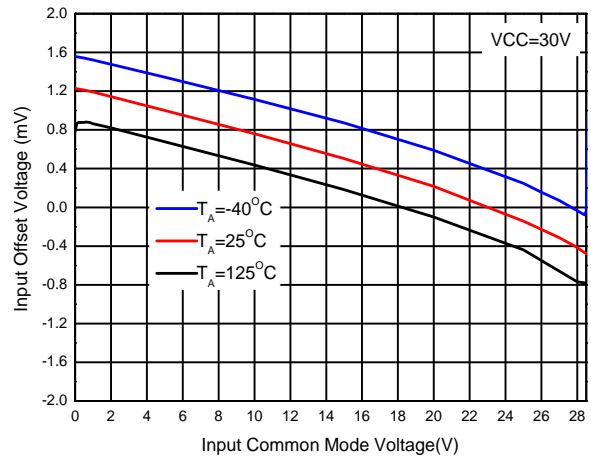


Response Time for Various Input Overdrive

**Performance Characteristics** (continued)



Input Offset Voltage vs. Input Common-Mode Voltage



Input Offset Voltage vs. Input Common-Mode Voltage



---

## Application Information

---

### General Information

The LM2901Q/2903Q series comparators are high-gain, wide-bandwidth devices, and like most comparators, can easily oscillate if the output lead is inadvertently allowed to capacitive couple to the inputs via stray capacitance. This shows up only during the output voltage transition intervals as the comparator changes states. Standard PC board layout is helpful as it reduces stray input-output coupling. Reducing the input resistors to <math><10\text{k}\Omega</math> reduces the feedback signal levels and finally, adding even a small amount (1.0 to 10mV) of positive feedback (hysteresis) causes such a rapid transition that oscillations due to stray feedback are not possible. Simply socketing the IC and attaching resistors to the pins will cause input-output oscillations during the small transition intervals unless hysteresis is used. If the input signal is a pulse waveform, with relatively fast rise and fall times, hysteresis is not required. All input pins of any unused comparators should be tied to the negative supply.

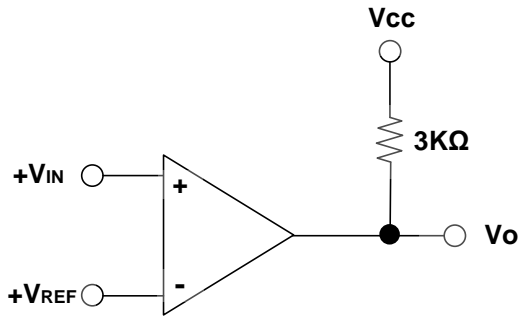
The bias network of the LM2901Q/2903Q series comparators establishes a quiescent current independent of the magnitude of the power supply voltage over the range of from 2.0  $V_{DC}$  to 30  $V_{DC}$ .

The differential input voltage may be larger than  $V_{CC}$  without damaging the device. Protection should be provided to prevent the input voltages from becoming negative more than  $-0.3 V_{DC}$  (@ +25°C). An input clamp diode can be used as shown in the applications section.

The output of the LM2901Q/2903Q series comparators is the uncommitted collector of a grounded-emitter NPN output transistor. Many collectors can be tied together to provide an output OR'ing function. An output pull-up resistor can be connected to any available power supply voltage within the permitted supply voltage range and there is no restriction on this voltage due to the magnitude of the voltage applied to the  $V_{CC}$  terminal of LM2901/2903 series comparator package. The output can also be used as a simple SPST switch to ground (when a pull-up resistor is not used).

The amount of current the output device can sink is limited by the drive available (which is independent of  $V_{CC}$ ) and the  $\beta$  of this device. When the maximum current limit is reached (approximately 16mA), the output transistor will come out of saturation and the output voltage will rise very rapidly. The output saturation voltage is limited by the approximately  $60\Omega R_{SAT}$  of the output transistor. The low offset voltage of the output transistor (1.0mV) allows the output to clamp essentially to ground level for small load currents.

**Typical Application Circuit** ( $V_{CC} = 5.0 V_{DC}$ )



Basic Comparator



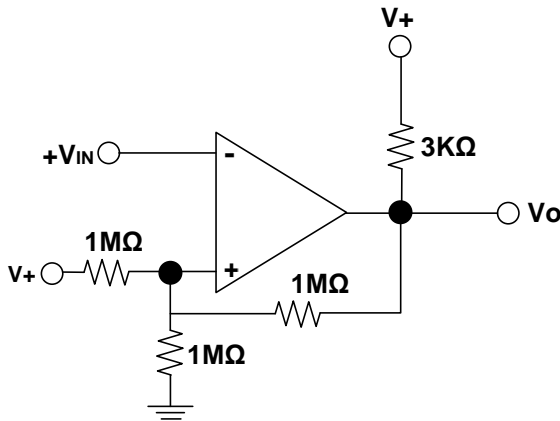
Driving CMOS



Driving TTL



Non-Inverting Comparator with Hysteresis



Inverting Comparator with Hysteresis

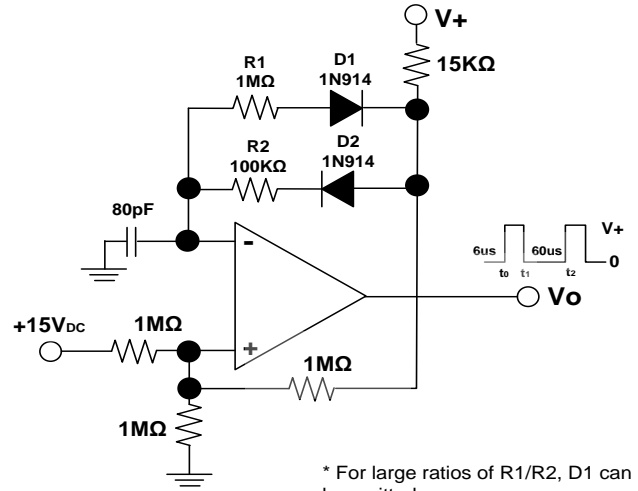


Comparator with a Negative Reference

**Typical Application Circuit** (continued) ( $V_{CC} = 5.0 V_{DC}$ )

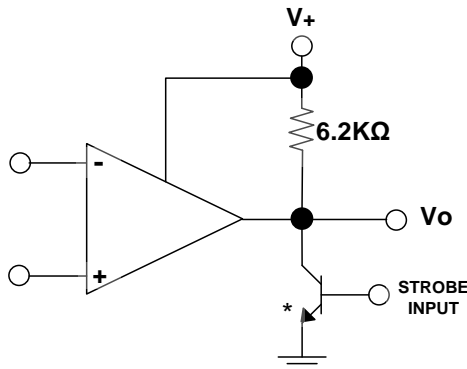


Crystal Controlled Oscillator



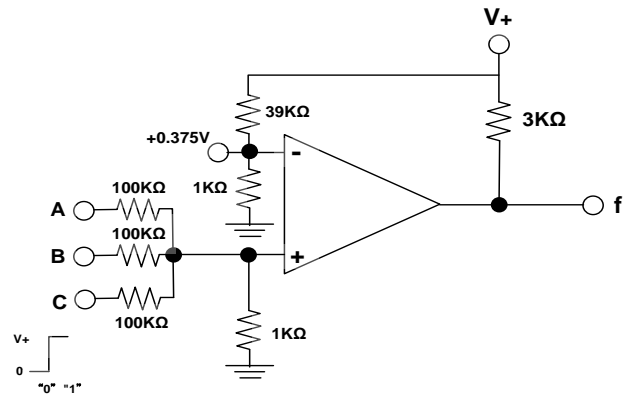
Pulse Generator

\* For large ratios of R1/R2, D1 can be omitted.

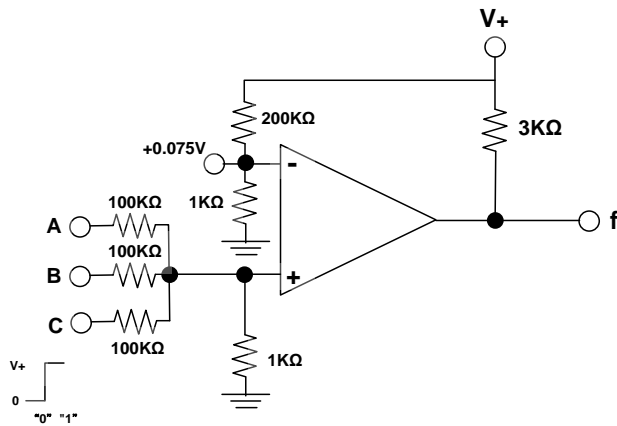


\*Or logic gate without pull-up resistor

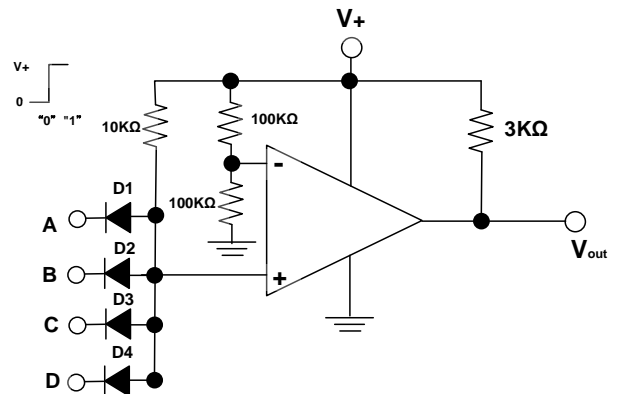
Output Strobing



AND Gate

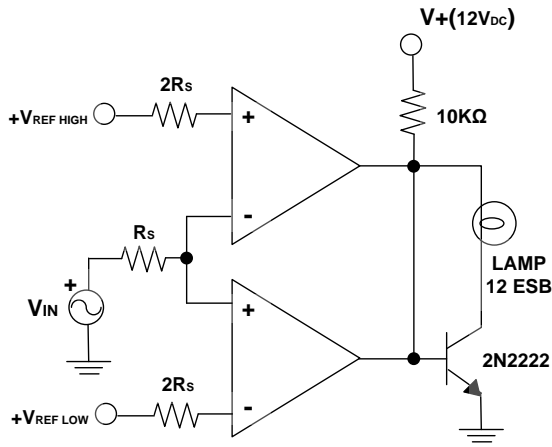


OR Gate

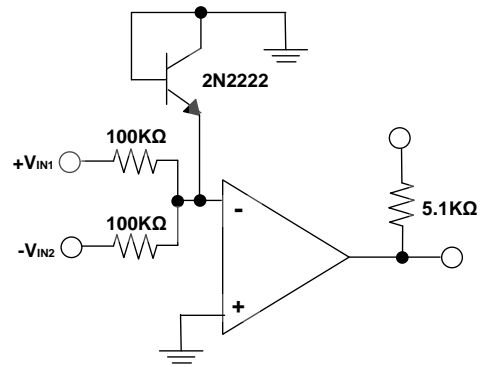


Large Fan-in AND Gate

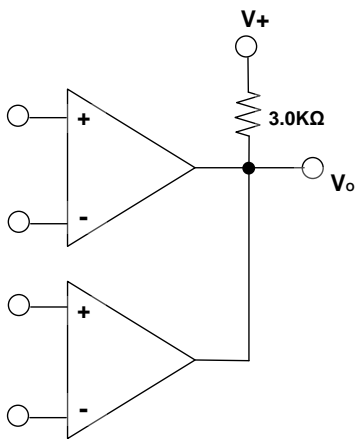
**Typical Application Circuit** (cont.) ( $V_{CC} = 5.0 V_{DC}$ )



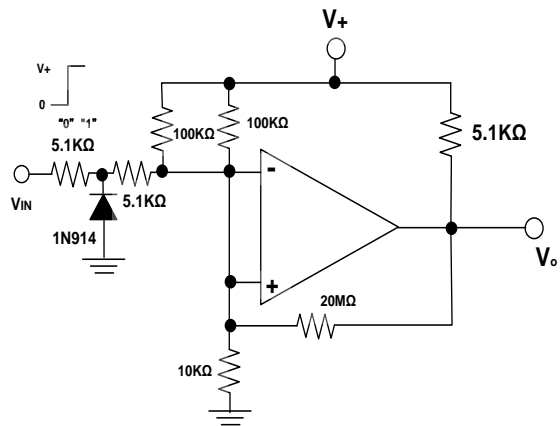
Limit Comparator



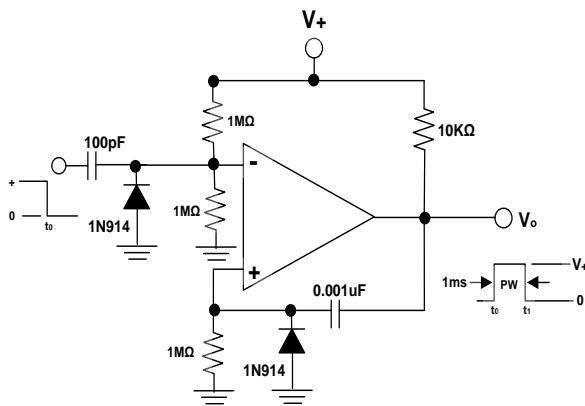
Comparing Input Voltage of Opposite Polarity



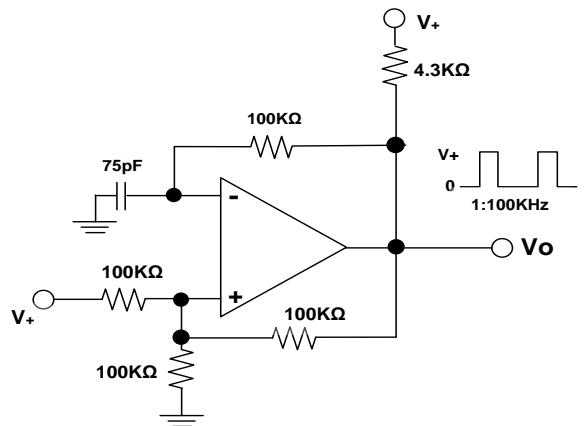
ORing the Outputs



Zero Crossing Detector  
(Single Power Supply)



One-Shot Multivibrator



Squarewave Oscillator

## Ordering Information

### LM290X X Q XXX - XX

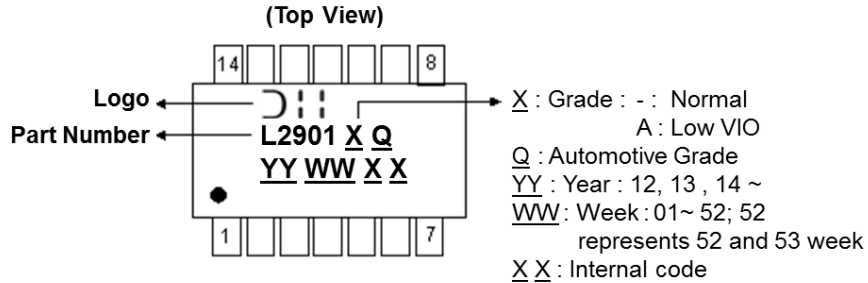


| Part Number    | Package Code | Packaging (Note 16) | 13" Tape and Reel |                    | Qualification Grade (Note 17) |
|----------------|--------------|---------------------|-------------------|--------------------|-------------------------------|
|                |              |                     | Quantity          | Part Number Suffix |                               |
| LM2901QT14-13  | T14          | TSSOP-14            | 2,500/Tape & Reel | -13                | Automotive Compliant          |
| LM2901AQT14-13 | T14          | TSSOP-14            | 2,500/Tape & Reel | -13                | Automotive Compliant          |
| LM2901QS14-13  | S14          | SO-14               | 2,500/Tape & Reel | -13                | Automotive Compliant          |
| LM2901AQS14-13 | S14          | SO-14               | 2,500/Tape & Reel | -13                | Automotive Compliant          |
| LM2903QS-13    | S            | SO-8                | 2,500/Tape & Reel | -13                | Automotive Compliant          |
| LM2903AQS-13   | S            | SO-8                | 2,500/Tape & Reel | -13                | Automotive Compliant          |
| LM2903QTH-13   | TH           | TSSOP-8             | 2,500/Tape & Reel | -13                | Automotive Compliant          |
| LM2903AQTH-13  | TH           | TSSOP-8             | 2,500/Tape & Reel | -13                | Automotive Compliant          |
| LM2903QM8-13   | M8           | MSOP-8              | 2,500/Tape & Reel | -13                | Automotive Compliant          |
| LM2903AQM8-13  | M8           | MSOP-8              | 2,500/Tape & Reel | -13                | Automotive Compliant          |

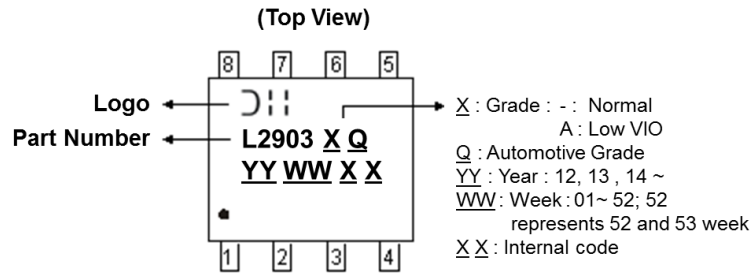
- Notes: 16. For packaging details, go to our website at <http://www.diodes.com/products/packages.html>.  
 17. LM2901Q/2903Q have been qualified to AEC-Q100 grade 1 and are classified as "Automotive Compliant" which supports PPAP documentation. See LM2901/2903 datasheet for commercial qualified versions.

**Marking Information**

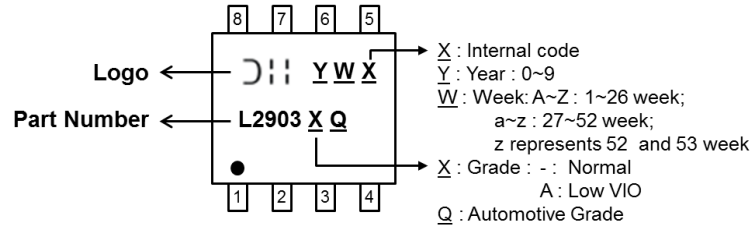
(1) TSSOP-14 and SO-14



(2) SO-8



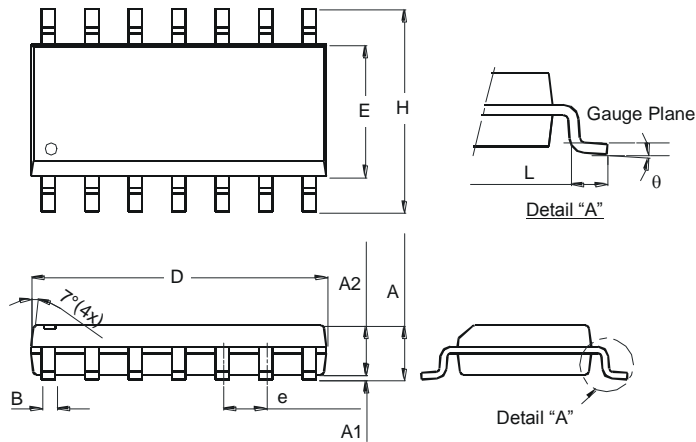
(3) MSOP-8 and TSSOP-8



## Package Outline Dimensions

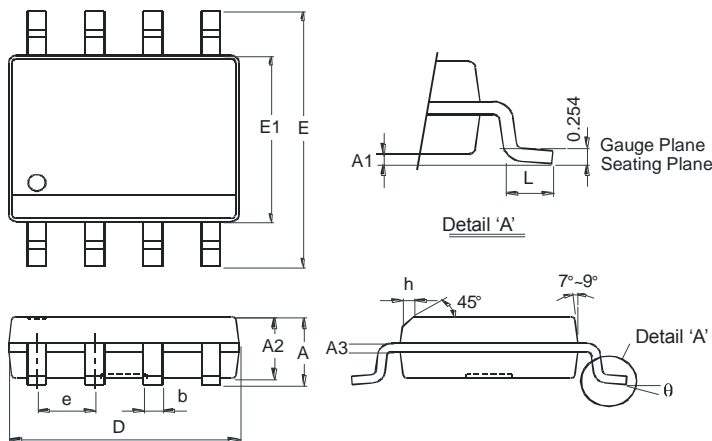
Please see <http://www.diodes.com/package-outlines.html> for the latest version.

### SO-14



| SO-14                |          |      |
|----------------------|----------|------|
| Dim                  | Min      | Max  |
| A                    | 1.47     | 1.73 |
| A1                   | 0.10     | 0.25 |
| A2                   | 1.45 Typ |      |
| B                    | 0.33     | 0.51 |
| D                    | 8.53     | 8.74 |
| E                    | 3.80     | 3.99 |
| e                    | 1.27 Typ |      |
| H                    | 5.80     | 6.20 |
| L                    | 0.38     | 1.27 |
| θ                    | 0°       | 8°   |
| All Dimensions in mm |          |      |

### SO-8

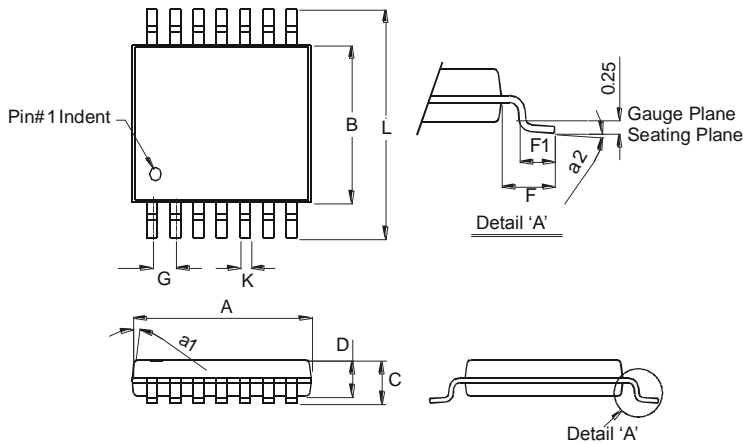


| SO-8                 |          |      |
|----------------------|----------|------|
| Dim                  | Min      | Max  |
| A                    | —        | 1.75 |
| A1                   | 0.10     | 0.20 |
| A2                   | 1.30     | 1.50 |
| A3                   | 0.15     | 0.25 |
| b                    | 0.3      | 0.5  |
| D                    | 4.85     | 4.95 |
| E                    | 5.90     | 6.10 |
| E1                   | 3.85     | 3.95 |
| e                    | 1.27 Typ |      |
| h                    | —        | 0.35 |
| L                    | 0.62     | 0.82 |
| θ                    | 0°       | 8°   |
| All Dimensions in mm |          |      |

**Package Outline Dimensions (Continued)**

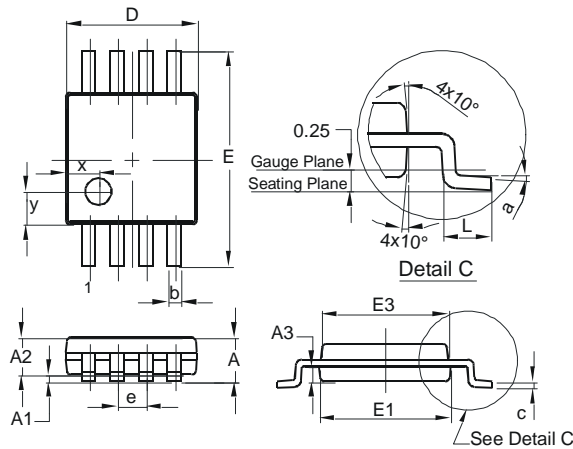
Please see <http://www.diodes.com/package-outlines.html> for the latest version.

**TSSOP-14**



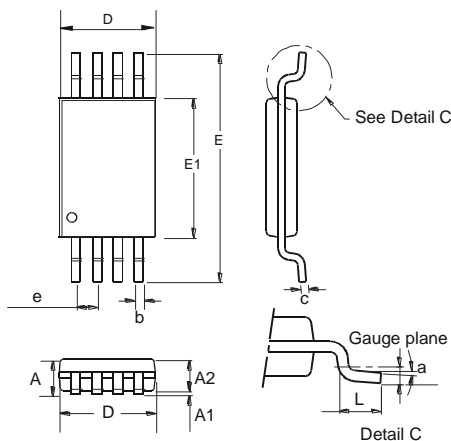
| TSSOP-14             |          |      |
|----------------------|----------|------|
| Dim                  | Min      | Max  |
| a1                   | 7° (4X)  |      |
| a2                   | 0°       | 8°   |
| A                    | 4.9      | 5.10 |
| B                    | 4.30     | 4.50 |
| C                    | — 1.2    |      |
| D                    | 0.8      | 1.05 |
| F                    | 1.00 Typ |      |
| F1                   | 0.45     | 0.75 |
| G                    | 0.65 Typ |      |
| K                    | 0.19     | 0.30 |
| L                    | 6.40 Typ |      |
| All Dimensions in mm |          |      |

**MSOP-8**



| MSOP-8               |      |      |       |
|----------------------|------|------|-------|
| Dim                  | Min  | Max  | Typ   |
| A                    | —    | 1.10 | —     |
| A1                   | 0.05 | 0.15 | 0.10  |
| A2                   | 0.75 | 0.95 | 0.86  |
| A3                   | 0.29 | 0.49 | 0.39  |
| b                    | 0.22 | 0.38 | 0.30  |
| c                    | 0.08 | 0.23 | 0.15  |
| D                    | 2.90 | 3.10 | 3.00  |
| E                    | 4.70 | 5.10 | 4.90  |
| E1                   | 2.90 | 3.10 | 3.00  |
| E3                   | 2.85 | 3.05 | 2.95  |
| e                    | —    | —    | 0.65  |
| L                    | 0.40 | 0.80 | 0.60  |
| a                    | 0°   | 8°   | 4°    |
| x                    | —    | —    | 0.750 |
| y                    | —    | —    | 0.750 |
| All Dimensions in mm |      |      |       |

**TSSOP-8**



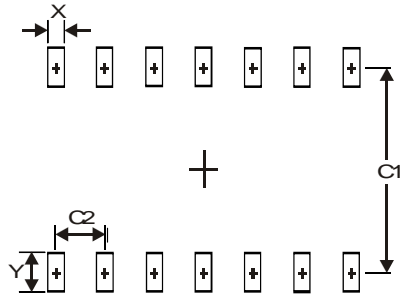
| TSSOP-8              |       |       |       |
|----------------------|-------|-------|-------|
| Dim                  | Min   | Max   | Typ   |
| a                    | 0.09  | —     | —     |
| A                    | —     | 1.20  | —     |
| A1                   | 0.05  | 0.15  | —     |
| A2                   | 0.825 | 1.025 | 0.925 |
| b                    | 0.19  | 0.30  | —     |
| c                    | 0.09  | 0.20  | —     |
| D                    | 2.90  | 3.10  | 3.025 |
| e                    | —     | —     | 0.65  |
| E                    | —     | —     | 6.40  |
| E1                   | 4.30  | 4.50  | 4.425 |
| L                    | 0.45  | 0.75  | 0.60  |
| All Dimensions in mm |       |       |       |



**Suggested Pad Layout**

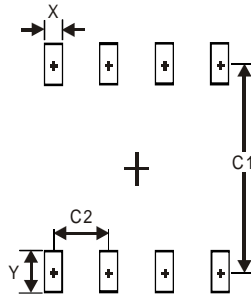
Please see <http://www.diodes.com/package-outlines.html> for the latest version.

**SO-14**



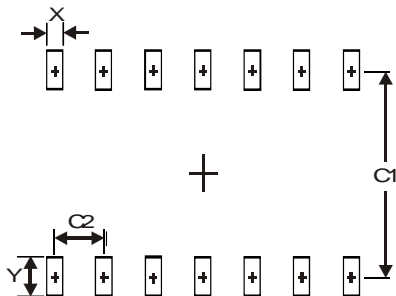
| Dimensions | Value (in mm) |
|------------|---------------|
| X          | 0.60          |
| Y          | 1.50          |
| C1         | 5.4           |
| C2         | 1.27          |

**SO-8**



| Dimensions | Value (in mm) |
|------------|---------------|
| X          | 0.60          |
| Y          | 1.55          |
| C1         | 5.4           |
| C2         | 1.27          |

**TSSOP-14**

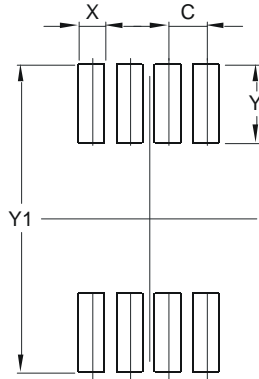


| Dimensions | Value (in mm) |
|------------|---------------|
| X          | 0.45          |
| Y          | 1.45          |
| C1         | 5.9           |
| C2         | 0.65          |

**Suggested Pad Layout** (Continued)

Please see <http://www.diodes.com/package-outlines.html> for the latest version.

**MSOP-8**



| Dimensions | Value (in mm) |
|------------|---------------|
| C          | 0.650         |
| X          | 0.450         |
| Y          | 1.350         |
| Y1         | 5.300         |

**TSSOP-8**



| Dimensions | Value (in mm) |
|------------|---------------|
| X          | 0.45          |
| Y          | 1.78          |
| C1         | 7.72          |
| C2         | 0.65          |
| C3         | 4.16          |
| G          | 0.20          |

#### IMPORTANT NOTICE

DIODES INCORPORATED MAKES NO WARRANTY OF ANY KIND, EXPRESS OR IMPLIED, WITH REGARDS TO THIS DOCUMENT, INCLUDING, BUT NOT LIMITED TO, THE IMPLIED WARRANTIES OF MERCHANTABILITY AND FITNESS FOR A PARTICULAR PURPOSE (AND THEIR EQUIVALENTS UNDER THE LAWS OF ANY JURISDICTION).

Diodes Incorporated and its subsidiaries reserve the right to make modifications, enhancements, improvements, corrections or other changes without further notice to this document and any product described herein. Diodes Incorporated does not assume any liability arising out of the application or use of this document or any product described herein; neither does Diodes Incorporated convey any license under its patent or trademark rights, nor the rights of others. Any Customer or user of this document or products described herein in such applications shall assume all risks of such use and will agree to hold Diodes Incorporated and all the companies whose products are represented on Diodes Incorporated website, harmless against all damages.

Diodes Incorporated does not warrant or accept any liability whatsoever in respect of any products purchased through unauthorized sales channel. Should Customers purchase or use Diodes Incorporated products for any unintended or unauthorized application, Customers shall indemnify and hold Diodes Incorporated and its representatives harmless against all claims, damages, expenses, and attorney fees arising out of, directly or indirectly, any claim of personal injury or death associated with such unintended or unauthorized application.

Products described herein may be covered by one or more United States, international or foreign patents pending. Product names and markings noted herein may also be covered by one or more United States, international or foreign trademarks.

This document is written in English but may be translated into multiple languages for reference. Only the English version of this document is the final and determinative format released by Diodes Incorporated.

#### LIFE SUPPORT

Diodes Incorporated products are specifically not authorized for use as critical components in life support devices or systems without the express written approval of the Chief Executive Officer of Diodes Incorporated. As used herein:

A. Life support devices or systems are devices or systems which:

1. are intended to implant into the body, or
2. support or sustain life and whose failure to perform when properly used in accordance with instructions for use provided in the labeling can be reasonably expected to result in significant injury to the user.

B. A critical component is any component in a life support device or system whose failure to perform can be reasonably expected to cause the failure of the life support device or to affect its safety or effectiveness.

Customers represent that they have all necessary expertise in the safety and regulatory ramifications of their life support devices or systems, and acknowledge and agree that they are solely responsible for all legal, regulatory and safety-related requirements concerning their products and any use of Diodes Incorporated products in such safety-critical, life support devices or systems, notwithstanding any devices- or systems-related information or support that may be provided by Diodes Incorporated. Further, Customers must fully indemnify Diodes Incorporated and its representatives against any damages arising out of the use of Diodes Incorporated products in such safety-critical, life support devices or systems.

Copyright © 2016, Diodes Incorporated

[www.diodes.com](http://www.diodes.com)

Компания «Life Electronics» занимается поставками электронных компонентов импортного и отечественного производства от производителей и со складов крупных дистрибьюторов Европы, Америки и Азии.

С конца 2013 года компания активно расширяет линейку поставок компонентов по направлению коаксиальный кабель, кварцевые генераторы и конденсаторы (керамические, пленочные, электролитические), за счёт заключения дистрибьюторских договоров

Мы предлагаем:

- Конкурентоспособные цены и скидки постоянным клиентам.
- Специальные условия для постоянных клиентов.
- Подбор аналогов.
- Поставку компонентов в любых объемах, удовлетворяющих вашим потребностям.
- Приемлемые сроки поставки, возможна ускоренная поставка.
- Доставку товара в любую точку России и стран СНГ.
- Комплексную поставку.
- Работу по проектам и поставку образцов.
- Формирование склада под заказчика.
- Сертификаты соответствия на поставляемую продукцию (по желанию клиента).
- Тестирование поставляемой продукции.
- Поставку компонентов, требующих военную и космическую приемку.
- Входной контроль качества.
- Наличие сертификата ISO.

В составе нашей компании организован Конструкторский отдел, призванный помогать разработчикам, и инженерам.

Конструкторский отдел помогает осуществить:

- Регистрацию проекта у производителя компонентов.
- Техническую поддержку проекта.
- Защиту от снятия компонента с производства.
- Оценку стоимости проекта по компонентам.
- Изготовление тестовой платы монтаж и пусконаладочные работы.



Тел: +7 (812) 336 43 04 (многоканальный)

Email: [org@lifeelectronics.ru](mailto:org@lifeelectronics.ru)