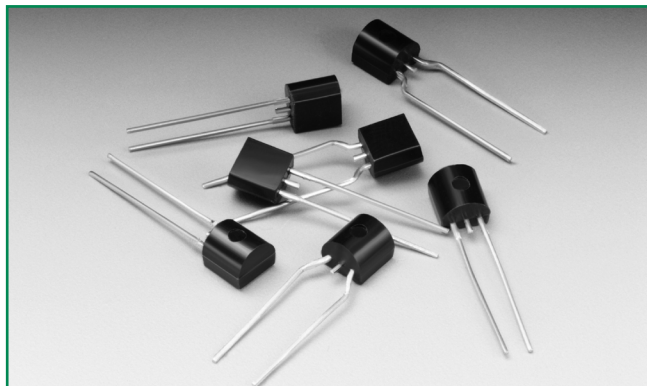


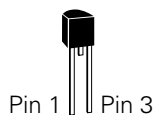
## MC Series - TO-92



### Agency Approvals

| Agency | Agency File Number |
|--------|--------------------|
|        | E133083            |

### Pinout Designation



### Schematic Symbol



### Description

The MC Series TO-92 are low capacitance SIDACtor® thyristors designed to protect broadband CPE equipment such as VoIP and DSL Modems from damaging overvoltage transients.

The series provides a through-hole solution that enables CPE equipment to comply with global regulatory standards while limiting the impact to broadband signals.

### Features and Benefits

- Low voltage overshoot
- Low on-state voltage
- Does not degrade surge capability after multiple surge events within limit
- Fails short circuit when surged in excess of ratings
- RoHS Compliant
- 40% lower capacitance than our Baseband Protectors, for applications that demand greater signal integrity
- Pb-free E3 means 2nd level interconnect is Pb-free and the terminal finish material is tin(Sn) (IPC/JEDEC J-STD-609A.01)

### Applicable Global Standards

- TIA-968-A
- TIA-968-B
- ITU K.20/21/45 Enhanced Level
- ITU K.20/21/45 Basic Level
- GR 1089 Intra-building
- IEC 61000-4-5 2nd edition
- YD/T 1082
- YD/T 993
- YD/T 950
- GR 1089 Inter-building

### Electrical Characteristics

| Part Number   | Marking   | $V_{DRM}$<br>@ $I_{DRM} = 5\mu A$ | $V_S$<br>@ $100V/\mu s$ | $I_H$  | $I_S$  | $I_T$ | $V_T$<br>@ $I_T = 2.2$ Amps | Capacitance<br>@ 1MHz, 2V bias |        |
|---------------|-----------|-----------------------------------|-------------------------|--------|--------|-------|-----------------------------|--------------------------------|--------|
|               |           | V min                             | V max                   | mA min | mA max | A max | V max                       | pF min                         | pF max |
| P0080ECMCLxxx | P0080ECMC | 6                                 | 25                      | 50     | 800    | 2.2   | 4                           | 35                             | 75     |
| P0300ECMCLxxx | P0300ECMC | 25                                | 40                      | 50     | 800    | 2.2   | 4                           | 25                             | 45     |
| P0640ECMCLxxx | P0640ECMC | 58                                | 77                      | 150    | 800    | 2.2   | 4                           | 55                             | 85     |
| P0720ECMCLxxx | P0720ECMC | 65                                | 88                      | 150    | 800    | 2.2   | 4                           | 50                             | 75     |
| P0900ECMCLxxx | P0900ECMC | 75                                | 98                      | 150    | 800    | 2.2   | 4                           | 45                             | 70     |
| P1100ECMCLxxx | P1100ECMC | 90                                | 130                     | 150    | 800    | 2.2   | 4                           | 45                             | 70     |
| P1300ECMCLxxx | P1300ECMC | 120                               | 160                     | 150    | 800    | 2.2   | 4                           | 40                             | 60     |
| P1500ECMCLxxx | P1500ECMC | 140                               | 180                     | 150    | 800    | 2.2   | 4                           | 35                             | 55     |
| P1800ECMCLxxx | P1800ECMC | 170                               | 220                     | 150    | 800    | 2.2   | 4                           | 35                             | 50     |
| P2300ECMCLxxx | P2300ECMC | 190                               | 260                     | 150    | 800    | 2.2   | 4                           | 30                             | 50     |
| P2600ECMCLxxx | P2600ECMC | 220                               | 300                     | 150    | 800    | 2.2   | 4                           | 30                             | 45     |
| P3100ECMCLxxx | P3100ECMC | 275                               | 350                     | 150    | 800    | 2.2   | 4                           | 30                             | 45     |
| P3500ECMCLxxx | P3500ECMC | 320                               | 400                     | 150    | 800    | 2.2   | 4                           | 25                             | 40     |

Notes:  
 - Absolute maximum ratings measured at  $T_A = 25^\circ C$  (unless otherwise noted).  
 - Components are bi-directional.  
 - **XXX** Part Number Suffix: **'AP'** (Ammo Pack), or **'RP1'** or **'RP2'** (Reel Pack).

**Surge Ratings**


| Series | $I_{PP}$             |                   |                     |                     |                     |                    |                     |                      |                     | $I_{TSM}$<br>50/60 Hz | di/dt    |
|--------|----------------------|-------------------|---------------------|---------------------|---------------------|--------------------|---------------------|----------------------|---------------------|-----------------------|----------|
|        | 0.2/310 <sup>1</sup> | 2/10 <sup>1</sup> | 8/20 <sup>1</sup>   | 10/160 <sup>1</sup> | 10/560 <sup>1</sup> | 5/320 <sup>1</sup> | 10/360 <sup>1</sup> | 10/1000 <sup>1</sup> | 5/310 <sup>1</sup>  |                       |          |
|        | 0.5/700 <sup>2</sup> | 2/10 <sup>2</sup> | 1.2/50 <sup>2</sup> | 10/160 <sup>2</sup> | 10/560 <sup>2</sup> | 9/720 <sup>2</sup> | 10/360 <sup>2</sup> | 10/1000 <sup>2</sup> | 10/700 <sup>2</sup> |                       |          |
|        | A min                | A min             | A min               | A min               | A min               | A min              | A min               | A min                | A min               | A min                 | A/μs Max |
| C      | 50                   | 500               | 400                 | 200                 | 150                 | 200                | 175                 | 100                  | 200                 | 30                    | 500      |

Notes:

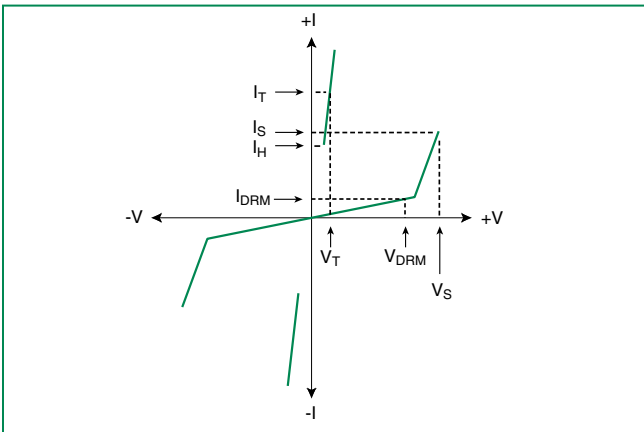
- 1 Current waveform in μs
- 2 Voltage waveform in μs

- Peak pulse current rating ( $I_{pp}$ ) is repetitive and guaranteed for the life of the product that remains in thermal equilibrium.
- $I_{pp}$  ratings applicable over temperature range of -40°C to +85°C
- The component must initially be in thermal equilibrium with -40°C ≤  $T_J$  ≤ +150°C

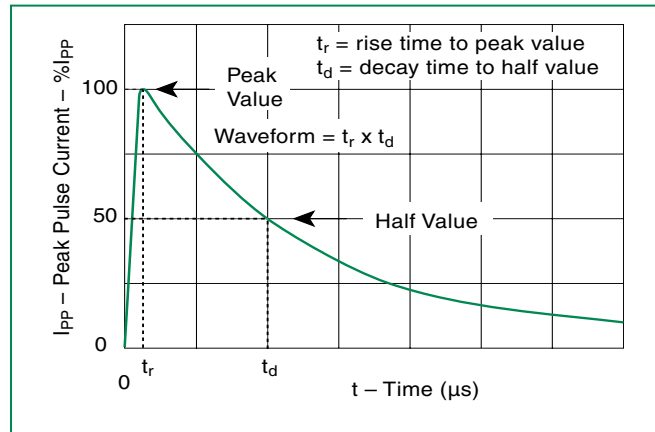
**Thermal Considerations**

| Package   | Symbol          | Parameter                               | Value       | Unit |
|---|-----------------|---|-------------|------|
|  TO-92 | $T_J$           | Operating Junction Temperature Range    | -40 to +150 | °C   |
|   | $T_S$           | Storage Temperature Range               | -65 to +150 | °C   |
|   | $R_{\theta JA}$ | Thermal Resistance: Junction to Ambient | 90          | °C/W |

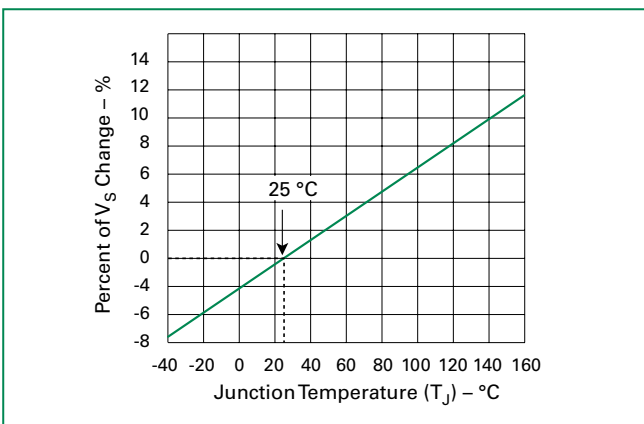
**V-I Characteristics**



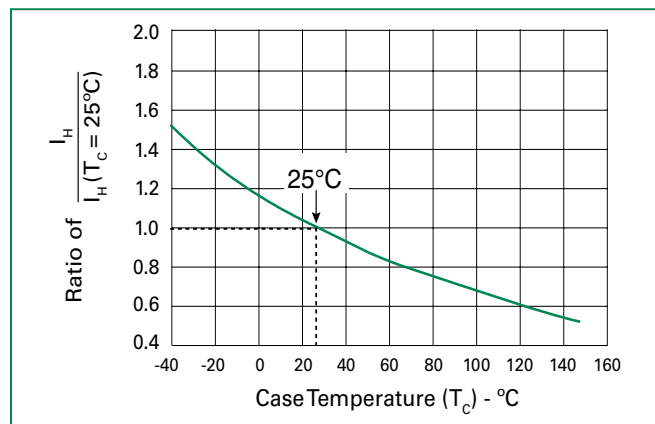
**$t_r \times t_d$  Pulse Waveform**



**Normalized  $V_S$  Change vs. Junction Temperature**

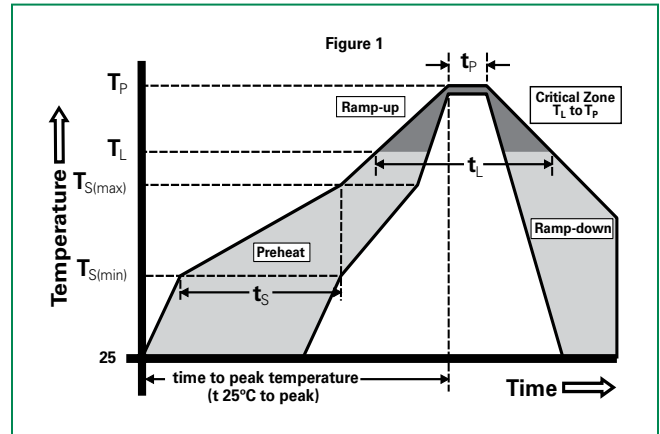


**Normalized DC Holding Current vs. Case Temperature**



**Soldering Parameters**

|   |                                   |                               |
|---|-----------------------------------|-------------------------------|
| Reflow Condition                                      |                                   | Pb-Free assembly (see Fig. 1) |
| Pre Heat  | -Temperature Min ( $T_{s(min)}$ ) | +150°C                        |
|   | -Temperature Max ( $T_{s(max)}$ ) | +200°C                        |
|   | -Time (Min to Max) ( $t_s$ )      | 60-180 secs.                  |
| Average ramp up rate (LiquidusTemp ( $T_L$ ) to peak) |                                   | 3°C/sec. Max.                 |
| $T_{s(max)}$ to $T_L$ - Ramp-up Rate                  |                                   | 3°C/sec. Max.                 |
| Reflow  | -Temperature ( $T_L$ ) (Liquidus) | +217°C                        |
|   | -Temperature ( $t_L$ )            | 60-150 secs.                  |
| Peak Temp ( $T_p$ )                                   |                                   | +260(+0/-5)°C                 |
| Time within 5°C of actual PeakTemp ( $t_p$ )          |                                   | 30 secs. Max.                 |
| Ramp-down Rate  |                                   | 6°C/sec. Max.                 |
| Time 25°C to Peak Temp ( $T_p$ )                      |                                   | 8 min. Max.                   |
| Do not exceed   |                                   | +260°C                        |



**Physical Specifications**

|                        |   |
|------------------------|---|
| <b>Lead Material</b>   | Copper Alloy  |
| <b>Terminal Finish</b> | 100% Matte-Tin Plated                                       |
| <b>Body Material</b>   | UL Recognized epoxy meeting flammability classification V-0 |

**Additional Information**



Datasheet



Resources

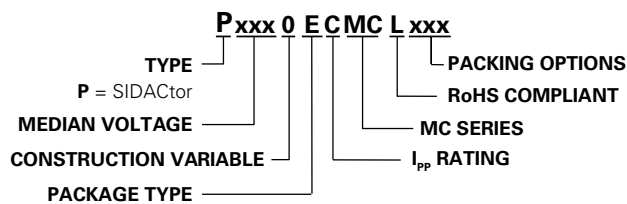


Samples

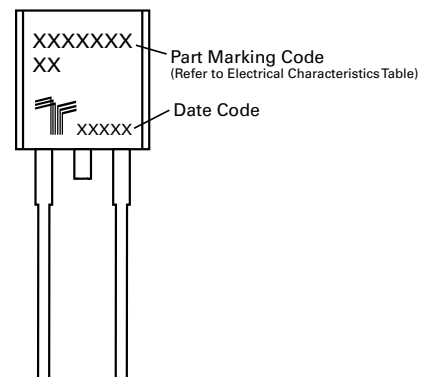
**Environmental Specifications**

|   |   |
|---|---|
| <b>High Temp Voltage Blocking</b>       | 80% Rated $V_{DRM}$ ( $V_{AC}$ Peak) +125°C or +150°C, 504 or 1008 hrs. MIL-STD-750 (Method 1040) JEDEC, JESD22-A-101 |
| <b>Temp Cycling</b>                     | -65°C to +150°C, 15 min. dwell, 10 up to 100 cycles. MIL-STD-750 (Method 1051) EIA/JEDEC, JESD22-A-104                |
| <b>Biased Temp &amp; Humidity</b>       | 52 $V_{DC}$ (+85°C) 85%RH, 504 up to 1008 hrs. EIA/JEDEC, JESD22-A-101  |
| <b>High Temp Storage</b>                | +150°C 1008 hrs. MIL-STD-750 (Method 1031) JEDEC, JESD22-A-101  |
| <b>Low Temp Storage</b>                 | -65°C, 1008 hrs.  |
| <b>Thermal Shock</b>                    | 0°C to +100°C, 5 min. dwell, 10 sec. transfer, 10 cycles. MIL-STD-750 (Method 1056) JEDEC, JESD22-A-106               |
| <b>Autoclave (Pressure Cooker Test)</b> | +121°C, 100%RH, 2atm, 24 up to 168 hrs. EIA/JEDEC, JESD22-A-102   |
| <b>Resistance to Solder Heat</b>        | +260°C, 30 secs. MIL-STD-750 (Method 2031)  |
| <b>Moisture Sensitivity Level</b>       | 85%RH, +85°C, 168 hrs., 3 reflow cycles (+260°C Peak). JEDEC-J-STD-020, Level 1                                       |

**Part Numbering**



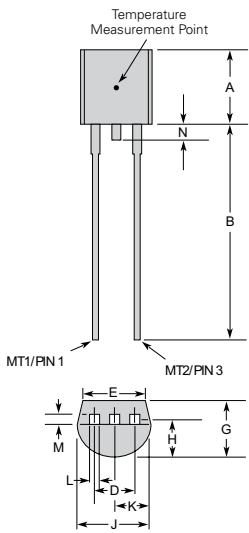
**Part Marking**



**Packing Options**

| Package Type | Description              | Packing Options Quantity | Added Suffix | Lead Spacing      | Industry Standard |
|--------------|--------------------------|--------------------------|--------------|-------------------|-------------------|
| E            | TO-92 Tape and Reel Pack | 2000                     | RP1          | 0.1 inch (2.54mm) | EIA-481-D         |
|              | TO-92 Ammo Pack          |                          | RP2          | 0.2 inch (5.08mm) |                   |
|              | TO-92 Bulk Pack          |                          | AP           | (Not applicable)  | EIA-468-B         |
|              |                          |                          | N/A          | (Not applicable)  | N/A               |

**Dimensions – TO-92**



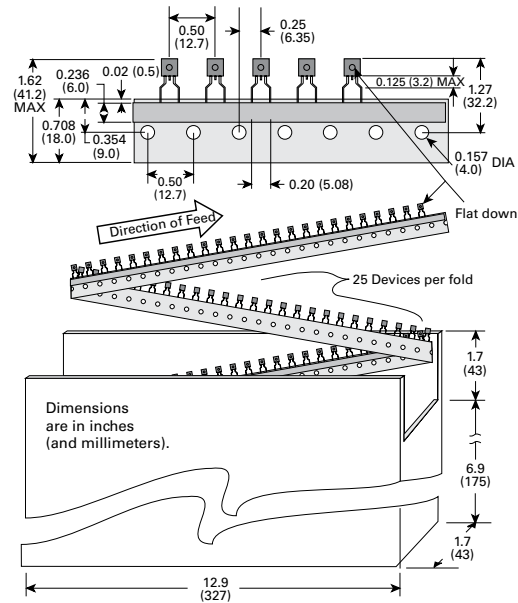
|   | Inches |       | Millimeters |      |
|---|--------|-------|-------------|------|
|   | Min    | Max   | Min         | Max  |
| A | 0.176  | 0.196 | 4.47        | 4.98 |
| B | 0.500  |       | 12.70       |      |
| D | 0.095  | 0.105 | 2.41        | 2.67 |
| E | 0.150  |       | 3.81        |      |
| G | 0.135  | 0.145 | 3.43        | 3.68 |
| H | 0.088  | 0.096 | 2.23        | 2.44 |
| J | 0.176  | 0.186 | 4.47        | 4.73 |
| K | 0.088  | 0.096 | 2.23        | 2.44 |
| L | 0.013  | 0.019 | 0.33        | 0.48 |
| M | 0.013  | 0.017 | 0.33        | 0.43 |
| N |        | 0.60  |             | 1.52 |

All leads are insulated from case. Case is electrically non-conductive. (Rated at 1600 V<sub>AC</sub> RMS for one minute from leads to case over the operating temperature range.)

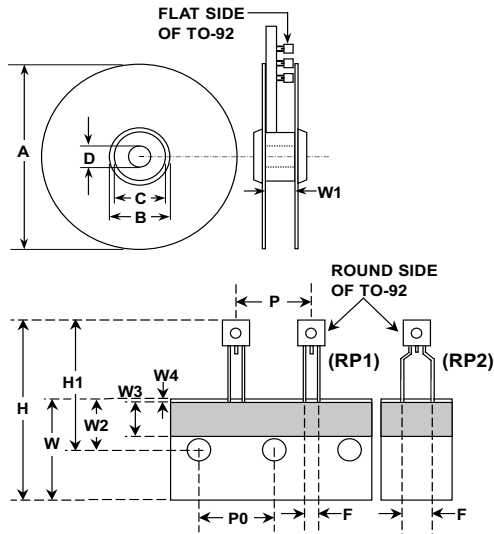
Mold flash shall not exceed 0.13 mm per side.

The TO-92 is designed to meet mechanical standards as set forth in JEDEC publication number 95.

**Ammo Pack Specification – TO-92**



**Tape and Reel Specification – TO-92**



|            | Inches |        | Millimeters |       |
|------------|--------|--------|-------------|-------|
|            | Min    | Max    | Min         | Max   |
| A          | N/A    | 14.173 | N/A         | 360.0 |
| B          | 4.016  | N/A    | 102.0       | N/A   |
| C          | 3.386  | N/A    | 86.0        | N/A   |
| D          | 0.795  | N/A    | 20.2        | N/A   |
| W1         | 1.181  | 1.968  | 30.0        | 50.0  |
| P          | 0.496  | 0.504  | 12.60       | 12.80 |
| P0         | 0.498  | 0.502  | 12.65       | 12.75 |
| F(for RP1) | 0.090  | 0.110  | 2.29        | 2.80  |
| F(for RP2) | 0.182  | 0.244  | 4.63        | 6.19  |
| H          | N/A    | 1.673  | N/A         | 42.50 |
| H1         | N/A    | 1.270  | N/A         | 32.26 |
| W          | 0.674  | 0.763  | 17.12       | 19.38 |
| W2         | 0.354  | 0.370  | 8.25        | 9.75  |
| W3         | 0.236  | N/A    | 6.00        | N/A   |
| W4         | 0.020  | N/A    | 0.50        | N/A   |

**Disclaimer Notice - Information furnished is believed to be accurate and reliable. However, users should independently evaluate the suitability of and test each product selected for their own applications. Littelfuse products are not designed for, and may not be used in, all applications. Read complete Disclaimer Notice at [www.littelfuse.com/disclaimer-electronics](http://www.littelfuse.com/disclaimer-electronics).**

Компания «Life Electronics» занимается поставками электронных компонентов импортного и отечественного производства от производителей и со складов крупных дистрибьюторов Европы, Америки и Азии.

С конца 2013 года компания активно расширяет линейку поставок компонентов по направлению коаксиальный кабель, кварцевые генераторы и конденсаторы (керамические, пленочные, электролитические), за счёт заключения дистрибьюторских договоров

Мы предлагаем:

- Конкурентоспособные цены и скидки постоянным клиентам.
- Специальные условия для постоянных клиентов.
- Подбор аналогов.
- Поставку компонентов в любых объемах, удовлетворяющих вашим потребностям.
- Приемлемые сроки поставки, возможна ускоренная поставка.
- Доставку товара в любую точку России и стран СНГ.
- Комплексную поставку.
- Работу по проектам и поставку образцов.
- Формирование склада под заказчика.
- Сертификаты соответствия на поставляемую продукцию (по желанию клиента).
- Тестирование поставляемой продукции.
- Поставку компонентов, требующих военную и космическую приемку.
- Входной контроль качества.
- Наличие сертификата ISO.

В составе нашей компании организован Конструкторский отдел, призванный помогать разработчикам, и инженерам.

Конструкторский отдел помогает осуществить:

- Регистрацию проекта у производителя компонентов.
- Техническую поддержку проекта.
- Защиту от снятия компонента с производства.
- Оценку стоимости проекта по компонентам.
- Изготовление тестовой платы монтаж и пусконаладочные работы.



Тел: +7 (812) 336 43 04 (многоканальный)

Email: [org@lifeelectronics.ru](mailto:org@lifeelectronics.ru)