

**Interface Plug-in Relay XT**

- 1 pole 16 A, 2 pole 8 A, 1 CO contact or 2 CO contacts
- DC- or AC coil, sensitive coil 400 mW
- Reinforced insulation, protection class II (VDE 0700)
- 4 kV / 8 mm coil-contact
- Manual test tab, optionally lockable<sup>1)</sup>
- Version with mechanical and/or electrical indicator optionally available
- Suitable for use in Tyco standard RT sockets
- Recycleable packaging
- RoHS compliant (Directive 2002/95/EC)

**Applications**

Panel boards, mechanical engineering

**Approvals**

 in process  us E214025  
Technical data of approved types on request

| Contact data                                     | 1-pole                    | 2-pole  |
|--|---------------------------|---------|
| Contact configuration                            | 1 CO                      | 2 CO    |
| Contact set                                      | single contact            |         |
| Type of interruption                             | micro disconnection       |         |
| Rated current                                    | 16 A                      | 8 A     |
| Rated voltage / max.switching voltage AC         | 240/400 VAC               |         |
| Maximum breaking capacity AC                     | 4000 VA                   | 2000 VA |
| Limiting making capacity,max 4 s, df 10%         | 30 A                      | 15 A    |
| Contact material                                 | AgNi 90/10                |         |
| Mechanical endurance DC coil                     | > 10 x 10 <sup>6</sup>    |         |
| AC coil  | > 5 x 10 <sup>6</sup>     |         |
| Rated frequency of operation with / without load | 6 / 600 min <sup>-1</sup> |         |

**Contact ratings**

| Type  | Load   | Cycles            |
|-------|--|-------------------|
| XT37* | 16 A, 250 VAC, CO contact, 70°C, DF 50%, EN61810-1             | 3x10 <sup>3</sup> |
| XT48* | 8 A, 250 VAC, CO contact, 70°C, DF 50%, DC coils, EN61810-1    | 5x10 <sup>3</sup> |
| XT48* | 8 A, 250 VAC, CO contact, 70°C, DF 50%, AC coils, EN61810-1    | 3x10 <sup>3</sup> |
| XT31* | 16 A, 250 VAC, CO contact, 70°C, DF 50%, EN61810-1             | 3x10 <sup>3</sup> |
| XT42* | 8 A, 250 VAC, CO contact, 70°C, DF 50%, DC coils, EN61810-1    | 5x10 <sup>3</sup> |
| XT42* | 8 A, 250 VAC, CO contact, 70°C, DF 50%, AC coils, EN61810-1    | 3x10 <sup>3</sup> |
| XT37* | 16 A, 250 VAC, CO General Purpose 70°C, DF 50%, UL508          | 3x10 <sup>3</sup> |
| XT48* | 8 A, 250 VAC, CO General Purpose 70°C, DF 50%, DC coils, UL508 | 3x10 <sup>3</sup> |
| XT48* | 8 A, 250 VAC, CO General Purpose 70°C, DF 50%, AC coils, UL508 | 3x10 <sup>3</sup> |
| XT31* | 16 A, 250 VAC, CO General Purpose 70°C, DF 50%, UL508          | 3x10 <sup>3</sup> |
| XT42* | 8 A, 250 VAC, CO General Purpose 70°C, DF 50%, DC coils, UL508 | 3x10 <sup>3</sup> |
| XT42* | 8 A, 250 VAC, CO General Purpose 70°C, DF 50%, AC coils, UL508 | 3x10 <sup>3</sup> |

**Coil data**

|   |         |              |
|---|---------|--------------|
| Rated coil voltage range                | DC coil | 6...110 VDC  |
|   | AC coil | 24...230 VAC |
| Coil power                              | DC coil | typ 400 mW   |
|   | AC coil | typ 0.75 VA  |
| Operative range                         | 2       |              |
| Coil insulation system according UL1446 | class F |              |

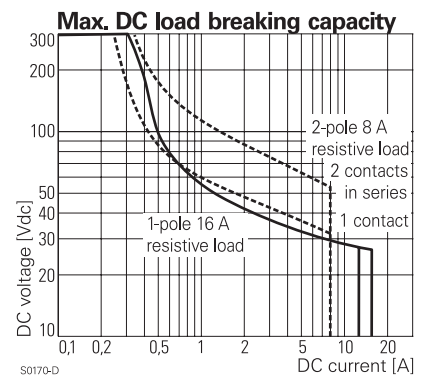
<sup>1)</sup> Locking function description

If the test button is pulled out too forcefully, it may bypass the momentary testing position and go straight into the locked position.

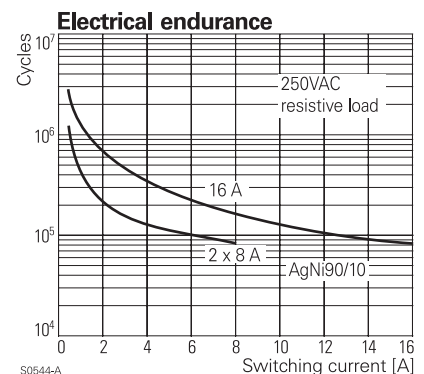
Delivery status is with testing possibility only, to reach locking position please remove the locking plastic pip according drawing.



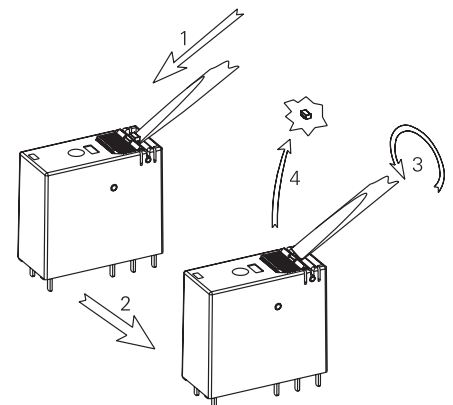
F0289-A



S0170-D



S0544-A



**Coil versions, DC-coil**

| Coil code  | LED & PD*  | Rated voltage VDC | Operate voltage VDC | Release voltage VDC | Coil resistance Ohm | Rated coil power mW | opt. LED power mW |
|------------|------------|-------------------|---------------------|---------------------|---------------------|---------------------|-------------------|
| 012        | LB2        | 12                | 8.4                 | 1.2                 | 360±10%             | 400                 | 10                |
| <b>024</b> | <b>LC4</b> | <b>24</b>         | <b>16.8</b>         | <b>2.4</b>          | <b>1440±10%</b>     | <b>400</b>          | <b>19</b>         |
| 048        | LE8        | 48                | 33.6                | 4.8                 | 5520±10%            | 417                 | 39                |
| 110        | MB0        | 110               | 77.0                | 11.0                | 28800±12%           | 420                 | 87                |

All figures are given for coil without preenergization, at ambient temperature +23°C

\*) Protection diode PD; standard polarity: +A1 / -A2

Other coil voltages on request

**Coil versions, AC-coil 50 Hz**

| Coil code  | LED        | Rated voltage VAC | Operate voltage 50 Hz VAC | Release voltage 50 Hz VAC | Coil resistance Ohm | Rated coil power 50 Hz VA | opt. LED power 50 Hz VA |
|------------|------------|-------------------|---------------------------|---------------------------|---------------------|---------------------------|-------------------------|
| <b>524</b> | <b>R24</b> | <b>24</b>         | <b>18.0</b>               | <b>3.6</b>                | <b>350±10%</b>      | <b>0.76</b>               | <b>0.012</b>            |
| 615        | S15        | 115               | 86.3                      | 17.3                      | 8100±15%            | 0.76                      | 0.054                   |
| <b>730</b> | <b>T30</b> | <b>230</b>        | <b>172.5</b>              | <b>34.5</b>               | <b>32500±15%</b>    | <b>0.74</b>               | <b>0.073</b>            |

All figures are given for coil without preenergization, at ambient temperature +23°C

Other coil voltages on request

**Insulation**

|   |   |       |
|---|---|-------|
| Dielectric strength coil-contact circuit  | 5000 V <sub>rms</sub> in combination with RT78726 |       |
|   | 4000 V <sub>rms</sub> in combination with RT78725 |       |
| open contact circuit                      | 1000 V <sub>rms</sub>                             |       |
| adjacent contact circuits                 | 2500 V <sub>rms</sub>                             |       |
| Clearance / creepage coil-contact circuit | ≥ 8 / 8 mm  |       |
| Material group of insulation parts        | ≥ IIIa  |       |
| Tracking index of relay base              | PTI 175 V   |       |
| Insulation to IEC 60664-1                 |   |       |
| Type of insulation coil-contact circuit   | reinforced  |       |
| open contact circuit                      | functional  |       |
| adjacent contact circuits                 | basic   |       |
| Rated insulation voltage                  | 250 V   |       |
| Pollution degree                          | 3   | 2     |
| Rated voltage system                      | 240 V   | 400 V |
| Overvoltage category                      | III   |       |

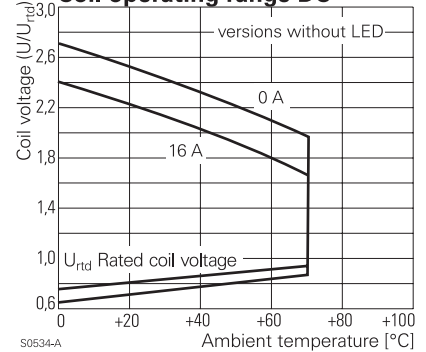
**Other data**

|  | 1-pole                           | 2-pole |
|--|----------------------------------|--------|
| RoHS - Directive 2002/95/EC                      | compliant                        |        |
| Flammability class according to UL94             | V-0                              |        |
| Ambient temperature range DC coil                | -40...+70°C                      |        |
| AC coil  | -40...+70°C                      |        |
| Operate- / release time DC coil                  | 9 / 6 ms                         |        |
| Bounce time DC coil, NO / NC contact             | 4 / 12 ms                        |        |
| Vibration resistance (function), NO / NC contact | 20 / 5 g, 30 ... 500 Hz          |        |
| Shock resistance (destruction)                   | 100 g                            |        |
| Category of protection                           | RTII                             |        |
| Mounting distance                                | 4,5 mm, dense packing of sockets |        |
| Relay weight                                     | 16 g                             |        |
| Packaging unit                                   | 10 / 250 pcs                     |        |

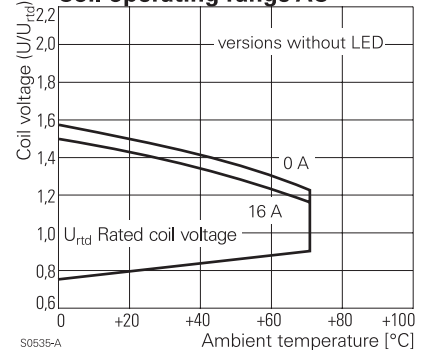
**Accessories**

For Details see datasheet Accessories Interface Power Relay XT

**Coil operating range DC**



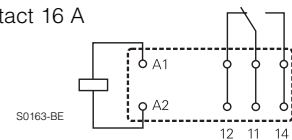
**Coil operating range AC**



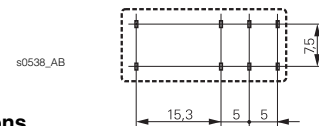
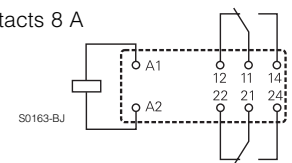
**Terminal assignment**

Bottom view on pins

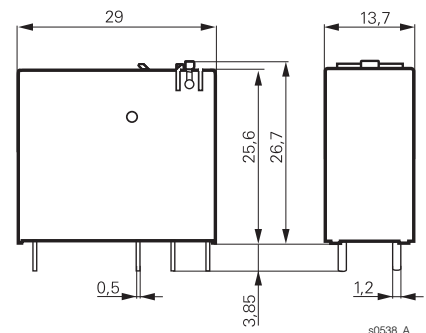
1 CO contact 16 A



2 CO contacts 8 A



**Dimensions**



**Interface Plug-in Relay XT (Continued)**

**Product key**

|          |          |  |  |          |  |  |  |
|----------|----------|--|--|----------|--|--|--|
| <b>X</b> | <b>T</b> |  |  | <b>4</b> |  |  |  |
|----------|----------|--|--|----------|--|--|--|

Type

Version

- 3** 1-pole, 16 A, pinning 5 mm
- 4** 2-pole, 8 A, pinning 5 mm

Contact configuration

- 1** 1 CO contact
- 2** 2 CO contacts
- 7** 1 CO contact with test button and mechanical indicator
- 8** 2 CO contacts with test button and mechanical indicator

Contact material

- 4** AgNi 90/10

Coil

Coil code: please refer to coil versions table, preferred types in bold print

| Product key | Contacts      | Cont. material             | Coil    | Coil    | Part number |
|-------------|---------------|----------------------------|---------|---------|-------------|
| XT374LC4    | 1 CO contact  | AgNi 90/10                 | DC-coil | 24 VDC  | 1887112-1   |
| XT374R24    | 16 A          | test button,<br>mechanical | AC-coil | 24 VAC  | 1887113-3   |
| XT374T30    |               |                            |         | 230 VAC | 1887113-1   |
| XT484LC4    | 2 CO contacts | and electrical             | DC-coil | 24 VDC  | 1887212-1   |
| XT484R24    | 8 A           | indicator                  | AC-coil | 24 VAC  | 1887213-3   |
| XT484T30    |               |                            |         | 230 VAC | 1887213-1   |

Компания «Life Electronics» занимается поставками электронных компонентов импортного и отечественного производства от производителей и со складов крупных дистрибьюторов Европы, Америки и Азии.

С конца 2013 года компания активно расширяет линейку поставок компонентов по направлению коаксиальный кабель, кварцевые генераторы и конденсаторы (керамические, пленочные, электролитические), за счёт заключения дистрибьюторских договоров

Мы предлагаем:

- Конкурентоспособные цены и скидки постоянным клиентам.
- Специальные условия для постоянных клиентов.
- Подбор аналогов.
- Поставку компонентов в любых объемах, удовлетворяющих вашим потребностям.
- Приемлемые сроки поставки, возможна ускоренная поставка.
- Доставку товара в любую точку России и стран СНГ.
- Комплексную поставку.
- Работу по проектам и поставку образцов.
- Формирование склада под заказчика.
- Сертификаты соответствия на поставляемую продукцию (по желанию клиента).
- Тестирование поставляемой продукции.
- Поставку компонентов, требующих военную и космическую приемку.
- Входной контроль качества.
- Наличие сертификата ISO.

В составе нашей компании организован Конструкторский отдел, призванный помогать разработчикам, и инженерам.

Конструкторский отдел помогает осуществить:

- Регистрацию проекта у производителя компонентов.
- Техническую поддержку проекта.
- Защиту от снятия компонента с производства.
- Оценку стоимости проекта по компонентам.
- Изготовление тестовой платы монтаж и пусконаладочные работы.



Тел: +7 (812) 336 43 04 (многоканальный)

Email: [org@lifeelectronics.ru](mailto:org@lifeelectronics.ru)