

NB3N65027DTGEVB

NB3N65027 Evaluation Board User's Manual



ON Semiconductor®

<http://onsemi.com>

Device Name: NB3N65027DT (QSOP20)
Board Name: NB3N65027DTGEVB

EVAL BOARD USER'S MANUAL

Introduction

NB3N65027 device is a 3.3 V Programmable 3 PLL Clock Synthesizer with 6 LVTTTL / LVCMS Outputs w/OE. ON Semiconductor has developed an evaluation board NB3N65027DTGEVB for the NB3N65027 in 20L QSOP (150 mil) package. The evaluation board NB3N65027DTGEVB is offered as a convenience for the customers interested in performing their own engineering assessment on the general performance of NB3N65027.

This evaluation board manual contains:

- Information on 20L QSOP (150 mil) Evaluation Board
- Evaluation board Circuit Schematic
- Bill of Materials

This manual should be used in conjunction with the device data sheet, which contains full technical details on the device specifications and operation.

Description

Evaluation board for testing NB3N65027 in 20L QSOP (150 mil) is a 2" x 2", 4 layer board with dedicated VDD and GND planes.

The top and bottom view of the assembled Evaluation board is shown in Figure 1 and Figure 2. Top and bottom view of the bare printed circuit board (PCB) is shown in Figure 3 and Figure 4.

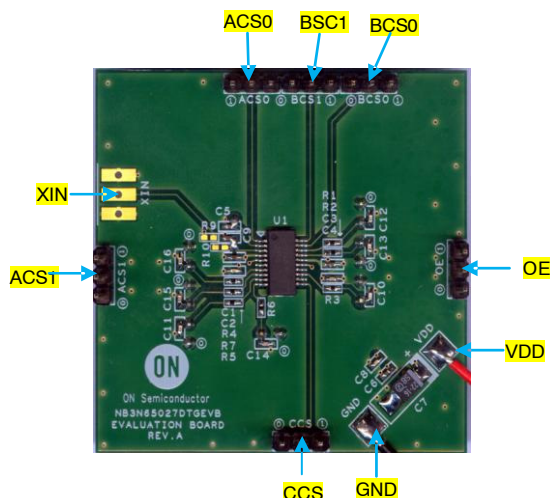


Figure 1. Evaluation Board top View

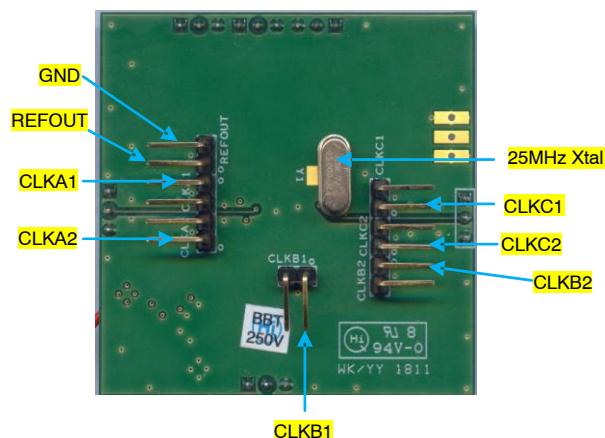


Figure 2. Evaluation Board Bottom View

NB3N65027DTGEVB

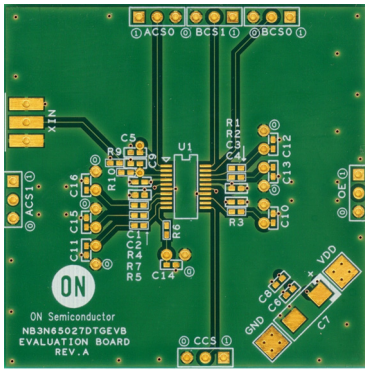


Figure 3. Evaluation Board top View (Bare PCB)

The Schematic of the Evaluation board is shown in Figure 5. The bill of material for the Evaluation board is shown in Table 1.

Test and Measurement Set-up and Procedure

Power supply is fed to the board through VDD and GND terminals. C6, C7, and C8 are the decoupling capacitors for the power supply into the board. Decoupling capacitors C1 and C2 are provided close to the device on VDD1, while C3 and C4 are provided close to device on VDD2 respectively.

Crystal Y1, capacitors C5 and C9 provide the crystal interface to the device at X1 and X2. The values of C5 and C9 are chosen based on the load capacitance (CL) of the crystal used. When Crystal interface is used, XIN, R9 and R10 are not mounted.

When crystal interface is not used, clock can be fed from an external source using XIN and R10. R9 is used for output termination of the clock source.

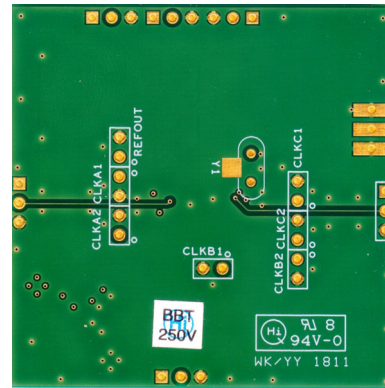


Figure 4. Evaluation Board bottom View (Bare PCB)

The state of signal Output Enable (OE) is controlled through 3-pin through hole header OE.

The state of control pins ACS0, ACS1, BCS0, BCS1 and CCS are controlled through 3-pin through hole headers of the same name. The selected states of the signals determine the output clocks on CLKA1, CLKA2, CLKB1, CLKB2, CLKC1, and CLKC2 as per the clock selection table.

Output clocks REFOUT, CLKA1, CLKA2, CLKB1, CLKB2, CLKC1, and CLKC2 can be monitored at 2-pin through hole headers REFOUT, CLKA1, CLKA2, CLKB1, CLKB2, CLKC1, and CLKC2 respectively, provided close to device.

Resistors R1 ~ R7 are the Series terminating resistors on the output clocks.

The general performance of NB3N65027 on the evaluation board can be tested using the list of instruments mentioned in the manual.

NB3N65027DTGEVB

NB3N65027DTGEVB EVALUATION BOARD SCHEMATIC

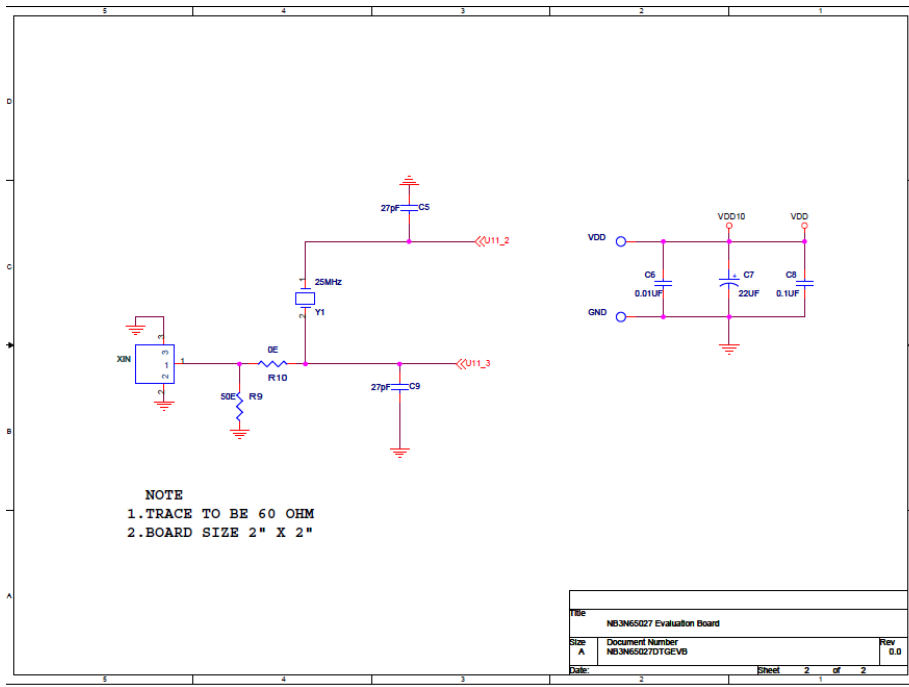
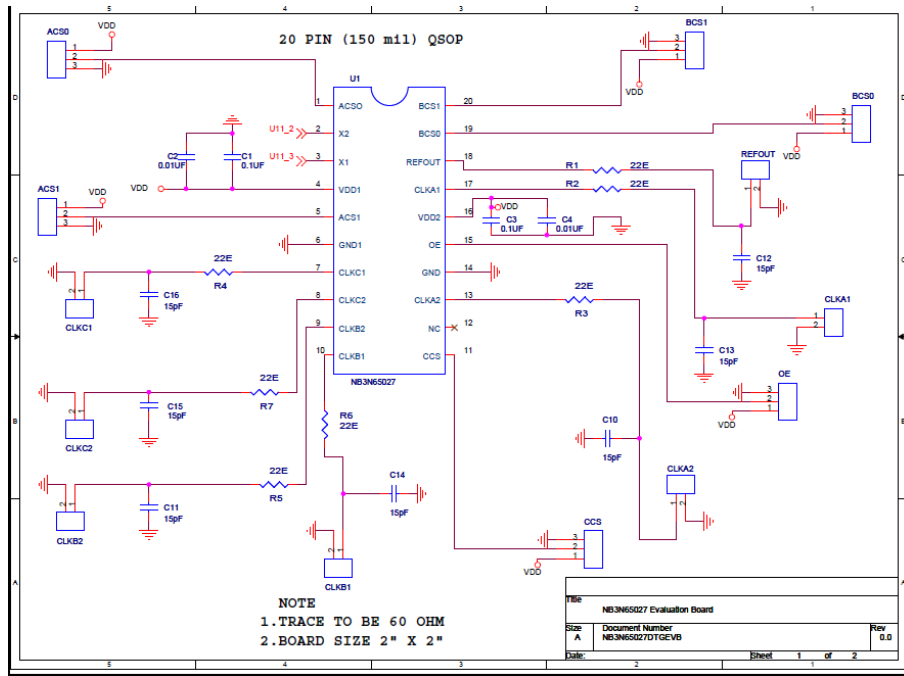


Figure 5. NB3N65027DTGEVB Evaluation Board Schematic

LIST OF INSTRUMENTS


- Signal Generator: Agilent 81110A (or equivalent)
if Input Clock is from External Source
- Oscilloscope: Tektronix TDS7704B (or equivalent)
- Probes: P7260, 6GHz single ended Active Probe
- Power Supply: Agilent 6624A DC (or equivalent)
- Digital Voltmeter: Agilent 34410A or 34401 (or equivalent)

NB3N65027DTGEVB

BILL OF MATERIAL

Table 1. NB3N65027DTGEVB EVALUATION BOARD REV. A BILL OF MATERIAL

Item	Qty	Reference	Part	Description	Size	Vendor	Vendor Part Number
1	6	BCS1, ACS1, OE, CCS, BCS0, ACS0	3 Pin Header	Through Hole HEADER	2.54 mm	Samtec	TSW-116-11-G-S
2	7	CLKA1, CLKA2, CLKB1, CLKB2, CLKC1, CLKC2, REFOUT	2 Pin Header	Through Hole HEADER	2.54 mm	Samtec	TSW-116-11-G-S
3	3	C1,C3,C8	0.1uF	CAP 0.1 μ F 16 V 5% 0402 SMD	0402	Walsin	0402B104K160CT
4	3	C2,C4,C6	0.01uF	CAP 0.01 μ F 50 V 5% 0402 SMD	0402	Walsin	0402B103K500CT
5	2	C5,C9	27pF	CAP 27 pF 50 V 5% 0402 SMD	0402	Walsin	0402N270J500LT
6	1	C7	22uF	CAP 22 μ F 16 V 5% 6032 SMD	6032	AVX	TAJC226K016R
7	7	C10, C11, C12, C13, C14, C15, C16	15pF	CAP 15 pF 50 V 5% 0402 SMD	0402	Walsin	0402N150J500LT
8		VDD,GND					
9	7	R1,R2,R3,R4, R5,R6,R7	22E	RES 22 Ω 1/16W 5% 0402 SMD	0402	Walsin	WR04X220JTL
10	1	R9	50E	RES 50 Ω 1/16W 5% 0402 SMD	0402	Walsin	WR04X500JTL
11	1	R10	0E	RES 0 Ω 1/16W 0402 SMD	0402	Walsin	
12	1	U1	NB3N65027	NB3N65027 20L QSOP Device	QSOP_20	ON Semiconductor	NB3N65027DTR2G
13	1	XIN	SMA	4 Pin SMA Jack		Samtec	SMA-J-P-H-ST-TH1
14	1	Y1	Crystal	25 MHz, 2 pin Crystal	Crystal_HC45U or UM1 or equivalent	Andhra Electronics Limited	UM12GH3G118P025M000000

ON Semiconductor and  are registered trademarks of Semiconductor Components Industries, LLC (SCILLC). SCILLC reserves the right to make changes without further notice to any products herein. SCILLC makes no warranty, representation or guarantee regarding the suitability of its products for any particular purpose, nor does SCILLC assume any liability arising out of the application or use of any product or circuit, and specifically disclaims any and all liability, including without limitation special, consequential or incidental damages. "Typical" parameters which may be provided in SCILLC data sheets and/or specifications can and do vary in different applications and actual performance may vary over time. All operating parameters, including "Typicals" must be validated for each customer application by customer's technical experts. SCILLC does not convey any license under its patent rights nor the rights of others. SCILLC products are not designed, intended, or authorized for use as components in systems intended for surgical implant into the body, or other applications intended to support or sustain life, or for any other application in which the failure of the SCILLC product could create a situation where personal injury or death may occur. Should Buyer purchase or use SCILLC products for any such unintended or unauthorized application, Buyer shall indemnify and hold SCILLC and its officers, employees, subsidiaries, affiliates, and distributors harmless against all claims, costs, damages, and expenses, and reasonable attorney fees arising out of, directly or indirectly, any claim of personal injury or death associated with such unintended or unauthorized use, even if such claim alleges that SCILLC was negligent regarding the design or manufacture of the part. SCILLC is an Equal Opportunity/Affirmative Action Employer. This literature is subject to all applicable copyright laws and is not for resale in any manner.

PUBLICATION ORDERING INFORMATION

LITERATURE FULFILLMENT:
 Literature Distribution Center for ON Semiconductor
 P.O. Box 5163, Denver, Colorado 80217 USA
Phone: 303-675-2175 or 800-344-3860 Toll Free USA/Canada
Fax: 303-675-2176 or 800-344-3867 Toll Free USA/Canada
Email: orderlit@onsemi.com

N. American Technical Support: 800-282-9855 Toll Free
 USA/Canada
Europe, Middle East and Africa Technical Support:
 Phone: 421 33 790 2910
Japan Customer Focus Center
 Phone: 81-3-5773-3850

ON Semiconductor Website: www.onsemi.com
Order Literature: <http://www.onsemi.com/orderlit>
 For additional information, please contact your local Sales Representative

Компания «Life Electronics» занимается поставками электронных компонентов импортного и отечественного производства от производителей и со складов крупных дистрибьюторов Европы, Америки и Азии.

С конца 2013 года компания активно расширяет линейку поставок компонентов по направлению коаксиальный кабель, кварцевые генераторы и конденсаторы (керамические, пленочные, электролитические), за счёт заключения дистрибьюторских договоров

Мы предлагаем:

- Конкурентоспособные цены и скидки постоянным клиентам.
- Специальные условия для постоянных клиентов.
- Подбор аналогов.
- Поставку компонентов в любых объемах, удовлетворяющих вашим потребностям.
- Приемлемые сроки поставки, возможна ускоренная поставка.
- Доставку товара в любую точку России и стран СНГ.
- Комплексную поставку.
- Работу по проектам и поставку образцов.
- Формирование склада под заказчика.
- Сертификаты соответствия на поставляемую продукцию (по желанию клиента).
- Тестирование поставляемой продукции.
- Поставку компонентов, требующих военную и космическую приемку.
- Входной контроль качества.
- Наличие сертификата ISO.

В составе нашей компании организован Конструкторский отдел, призванный помогать разработчикам, и инженерам.

Конструкторский отдел помогает осуществить:

- Регистрацию проекта у производителя компонентов.
- Техническую поддержку проекта.
- Защиту от снятия компонента с производства.
- Оценку стоимости проекта по компонентам.
- Изготовление тестовой платы монтаж и пусконаладочные работы.



Тел: +7 (812) 336 43 04 (многоканальный)

Email: org@lifeelectronics.ru