



FCIconnect.com

Copyright FCI

1

2

List of "SFV__R-1/2STAE1LF" customer document

| DOCUMENT NO. | LIST |
|--------------|--|
| SC-SFV06 | SPEC. |
| JSA96245 | CAT.NO.TABLE FOR 0.5mm CONTACT SPACING CONNECTOR (SFV__R-1/2STA_LF) |
| JSA96246 | CONNECTOR USED FOR FPC/FFC WITH 0.5mm CONTACT SPACING (SFV__R-1STA_LF) |
| JSA96247 | CONNECTOR USED FOR FPC/FFC WITH 0.5mm CONTACT SPACING (SFV__R-2STA_LF) |
| JSA96248 | CAT.NO.TABLE FOR PLASTIC TAPE PACKAGED 0.5mm CONTACT SPACING CONNECTOR (SFV__R-1/2STAE1LF) |
| JSA96249 | PLASTIC TAPE PACKAGED 0.5mm CONTACT SPACING CONNECTOR (SFV__R-1STAE1LF) |
| JSA96250 | PLASTIC TAPE PACKAGED 0.5mm CONTACT SPACING CONNECTOR (SFV__R-2STAE1LF) |
| JSA96004 | RECOMMENDED CABLE (FPC) (SFV__R-1/2STA_...) |
| JSA97202 | RECOMMENDED CABLE (FFC) (SFV__R-1/2ST_...) |
| BJM-SFV101 | HANDLING PROCEDURES |

| | | | | | | | | | | | | |
|-------------|----------------|-----|-----------|--|--------------------------|-------------------------------|--|-------------------------------|--|---|---|------|
| mat'l. code | | | | surface ISO 1302 <input checked="" type="checkbox"/> ISO 406 ISO 1101 | | tolerance ISO 406 ISO 1101 | | projection | | product family 58EF | | |
| ltr | ecn no | dr | date | tolerances unless otherwise specified | | | | scale X | | title 0.5mm SPACING FPC CONNECTOR DOCUMENT LIST (Cat. No. : SFV__R-1/2STAE1LF) | | |
| A | J04-0454 | H.T | '05/2/7 | angles | linear | | | | | | | |
| B | J06-0372 | H.T | '06/9/7 | | | | | | | | | |
| C | J06-0499 | H.T | '06/11/27 | | | | | scale X | | dwg no JSA 96244 | | |
| | | | | dr | <i>K. Shauk</i> 11/27/06 | | | | | sheet 1 of 1 | | size |
| | | | | enr | <i>K. Shauk</i> 11/27/06 | | | | | A4 | | |
| | | | | chr | <i>R. Shauk</i> 11/27/06 | | | | | | | |
| | | | | appd | <i>S. Madam</i> 11/28/06 | | | type Product Customer Drawing | | Rev. | | |
| sheet index | revision sheet | C | 1 | | | | | | | | C | |

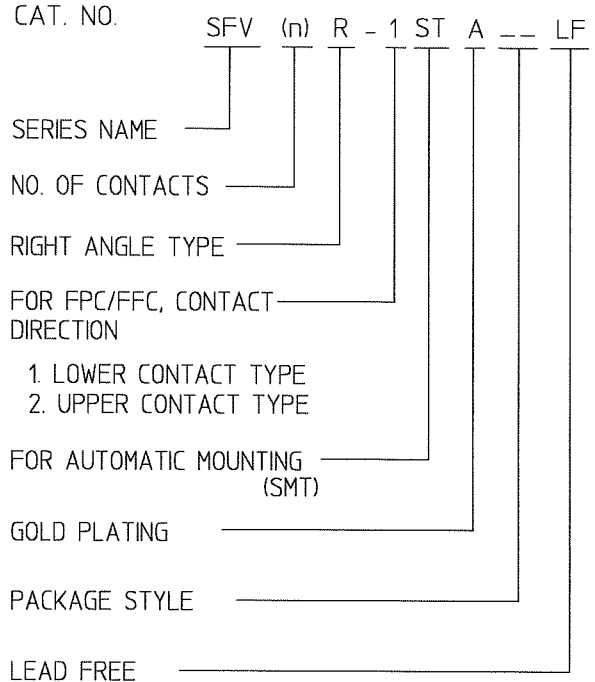
form: A4

1

2

CAT. NO. & DIMENSIONS

| NO. OF CONTACTS (n) | CAT. NO. | DIMENSIONS (NOTE2) | | | |
|---------------------|-------------------|--------------------|---------|---------|---------|
| | | A ± 0.2 | B ± 0.2 | C ± 0.1 | D ± 0.1 |
| 4 | SFV4R-1/2STA__LF | 7.5 | 5.9 | 15 | 2.7 |
| 5 | SFV5R-1/2STA__LF | 8.0 | 6.4 | 2.0 | 3.2 |
| 6 | SFV6R-1/2STA__LF | 8.5 | 6.9 | 2.5 | 3.7 |
| 7 | SFV7R-1/2STA__LF | 9.0 | 7.4 | 3.0 | 4.2 |
| 8 | SFV8R-1/2STA__LF | 9.5 | 7.9 | 3.5 | 4.7 |
| 9 | SFV9R-1/2STA__LF | 10.0 | 8.4 | 4.0 | 5.2 |
| 10 | SFV10R-1/2STA__LF | 10.5 | 8.9 | 4.5 | 5.7 |
| 11 | SFV11R-1/2STA__LF | 11.0 | 9.4 | 5.0 | 6.2 |
| 12 | SFV12R-1/2STA__LF | 11.5 | 9.9 | 5.5 | 6.7 |
| 13 | SFV13R-1/2STA__LF | 12.0 | 10.4 | 6.0 | 7.2 |
| 14 | SFV14R-1/2STA__LF | 12.5 | 10.9 | 6.5 | 7.7 |
| 15 | SFV15R-1/2STA__LF | 13.0 | 11.4 | 7.0 | 8.2 |
| 16 | SFV16R-1/2STA__LF | 13.5 | 11.9 | 7.5 | 8.7 |
| 17 | SFV17R-1/2STA__LF | 14.0 | 12.4 | 8.0 | 9.2 |
| 18 | SFV18R-1/2STA__LF | 14.5 | 12.9 | 8.5 | 9.7 |
| 19 | SFV19R-1/2STA__LF | 15.0 | 13.4 | 9.0 | 10.2 |
| 20 | SFV20R-1/2STA__LF | 15.5 | 13.9 | 9.5 | 10.7 |
| 21 | SFV21R-1/2STA__LF | 16.0 | 14.4 | 10.0 | 11.2 |
| 22 | SFV22R-1/2STA__LF | 16.5 | 14.9 | 10.5 | 11.7 |
| 23 | SFV23R-1/2STA__LF | 17.0 | 15.4 | 11.0 | 12.2 |
| 24 | SFV24R-1/2STA__LF | 17.5 | 15.9 | 11.5 | 12.7 |
| 25 | SFV25R-1/2STA__LF | 18.0 | 16.4 | 12.0 | 13.2 |
| 26 | SFV26R-1/2STA__LF | 18.5 | 16.9 | 12.5 | 13.7 |
| 27 | SFV27R-1/2STA__LF | 19.0 | 17.4 | 13.0 | 14.2 |
| 28 | SFV28R-1/2STA__LF | 19.5 | 17.9 | 13.5 | 14.7 |
| 29 | SFV29R-1/2STA__LF | 20.0 | 18.4 | 14.0 | 15.2 |
| 30 | SFV30R-1/2STA__LF | 20.5 | 18.9 | 14.5 | 15.7 |
| 31 | SFV31R-1/2STA__LF | 21.0 | 19.4 | 15.0 | 16.2 |
| 32 | SFV32R-1/2STA__LF | 21.5 | 19.9 | 15.5 | 16.7 |
| 33 | SFV33R-1/2STA__LF | 22.0 | 20.4 | 16.0 | 17.2 |
| 34 | SFV34R-1/2STA__LF | 22.5 | 20.9 | 16.5 | 17.7 |
| 35 | SFV35R-1/2STA__LF | 23.0 | 21.4 | 17.0 | 18.2 |

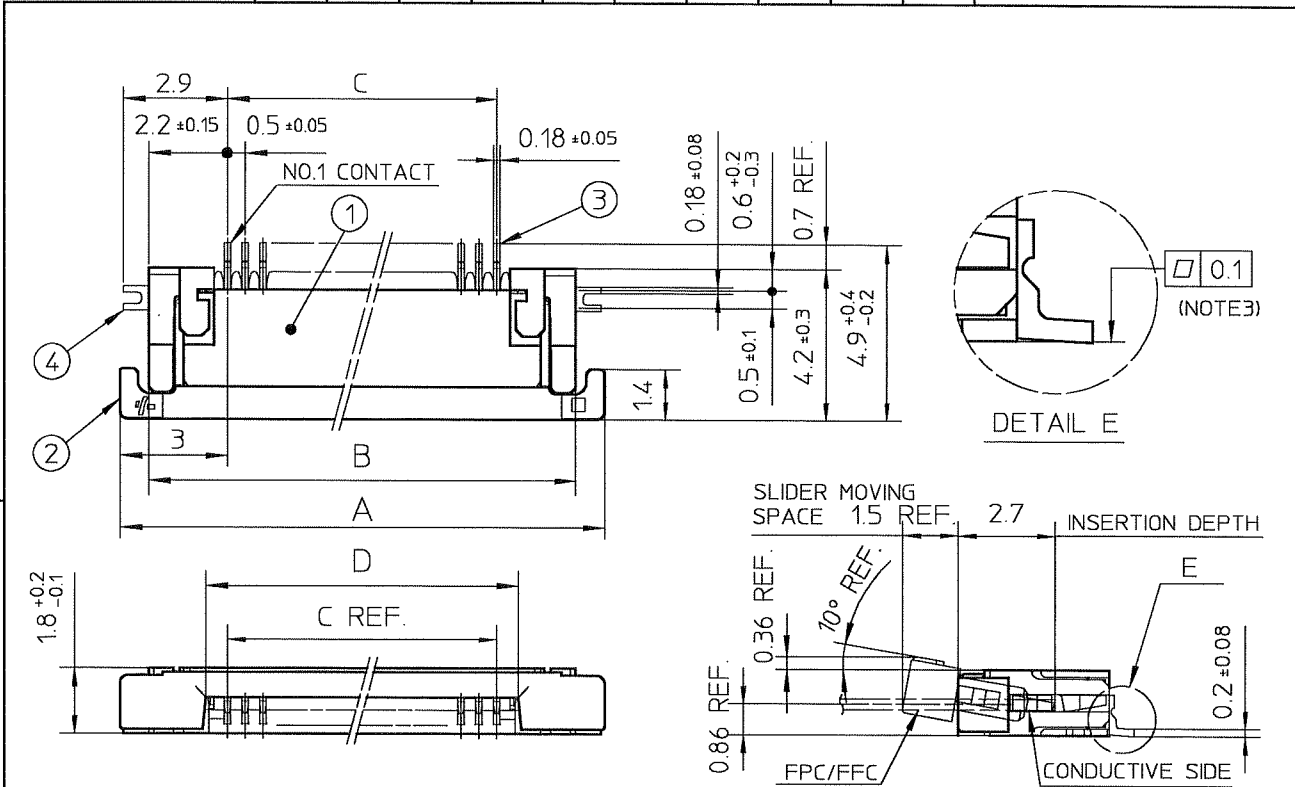


NOTES

- THIS PRODUCT IS THE CONNECTOR USED FOR FPC AND COPEs WITH AUTOMATIC MOUNTING (SMT).
- SEE PART DRAWINGS FOR DIMENSIONS A-D.

| | | | | | | | | | | | | | |
|-------------|--|----------------|--|--------------------|--|----------------------------|--|---------------------------------------|--|--|--|--------------|--|
| mat'l. code | | | | surface ISO 1302 ✓ | | tolerance ISO 406 ISO 1101 | | projection | | product family 58EF | | | |
| ltr | | ecn no | | dr | | date | | tolerances unless otherwise specified | | title | | sheet 1 of 1 | |
| A | | J04-0454 | | H.T | | '05/2/7 | | angles | | CAT. NO. TABLE FOR 0.5 mm CONTACT SPACING CONNECTOR (Cat. No. : SFV__R-1/2STA__LF) | | size | |
| B | | J06-0372 | | H.T | | '06/9/7 | | linear | | scale X | | A4 | |
| | | | | dr | | 9/7/06 | | | | FCI | | sheet 1 of 1 | |
| | | | | enrg | | 9/7/06 | | | | | | size | |
| | | | | chr | | 9/8/06 | | | | | | A4 | |
| | | | | appd | | 9/10/06 | | | | | | size | |
| sheet index | | revision sheet | | B | | 1 | | | | | | Rev. B | |

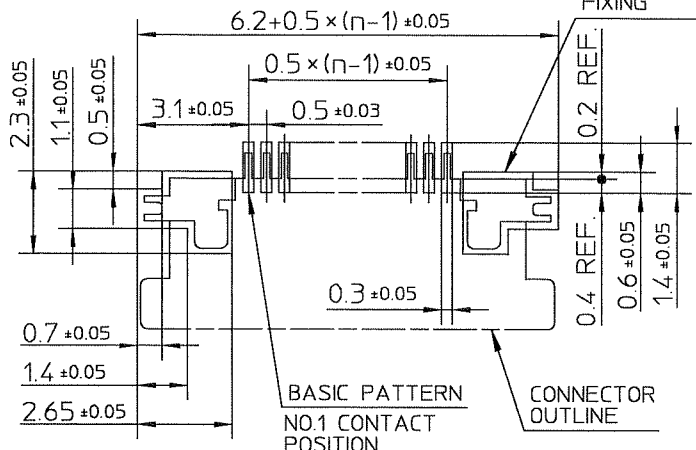
SC-SFV06 JSA96246, 96247, 96248, 96004 form: A4



| PT. NO. | PARTS NAME | MATERIAL | Q'TY | NOTE |
|---------|----------------|--|------|--|
| 1 | HOUSING | POLYAMIDE RESIN GLASS REINFORCED (UL94V-0) | 1 | COLOR : BLACK |
| 2 | SLIDER | PPS RESIN GLASS REINFORCED (UL94V-0) | 1 | COLOR : BROWN |
| 3 | CONTACT | PHOSPHOR BRONZE | n | PLATING : CONTACT AREA GOLD TERMINAL AREA TIN |
| 4 | MOUNTING PLATE | | 2 | PLATING : LEAD FREE |

RECOMMENDED PC BOARD LAYOUT (COMPONENT SIDE)

PATTERN FOR MOUNTING PLATE FIXING



n : NO. OF CONTACTS

NOTES

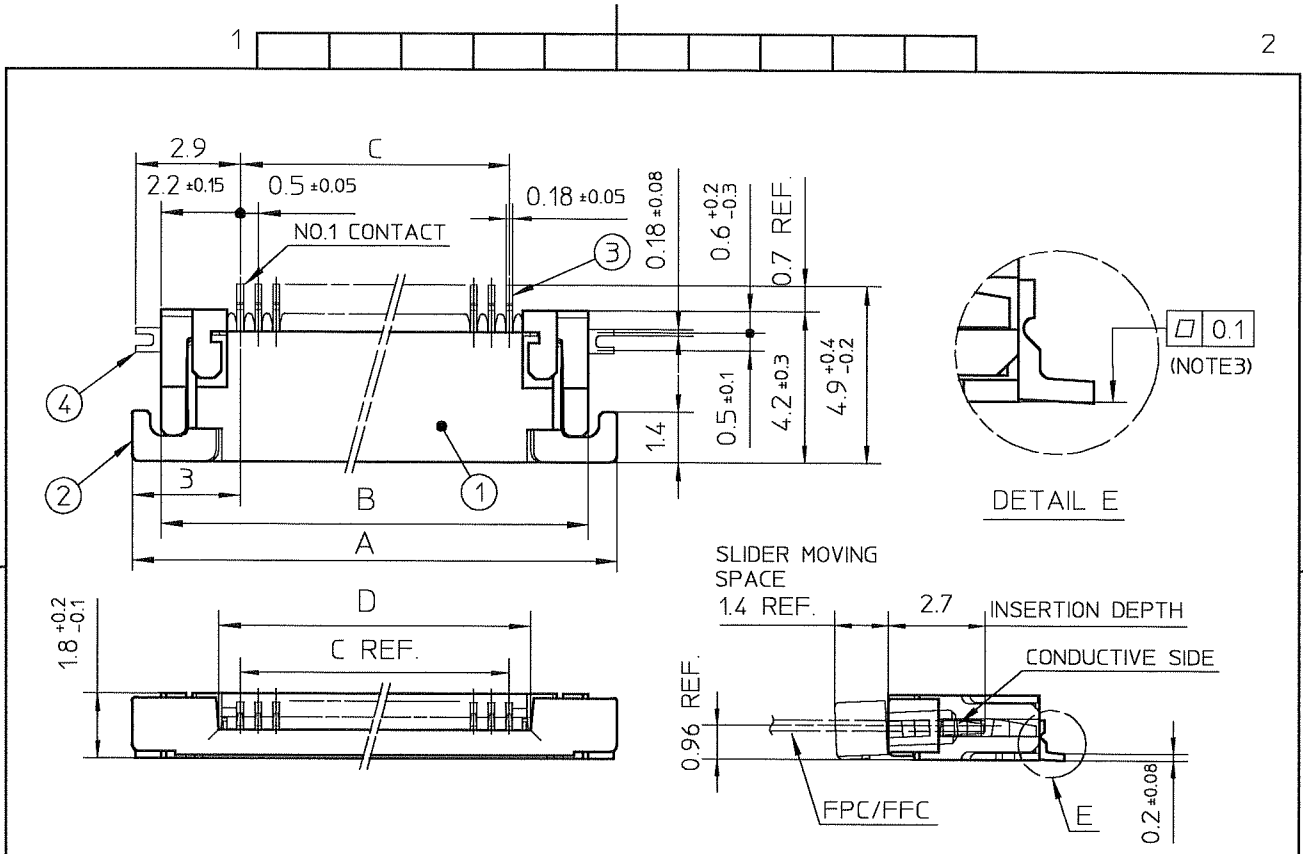
1. THIS PRODUCT IS THE CONNECTOR USED FOR FPC AND COPES WITH AUTOMATIC MOUNTING (SMT).
2. THIS PRODUCT IS LOWER CONTACT TYPE CONNECTOR.
3. FLATNESS OF CONTACT TERMINAL AND MOUNTING PLATE MUST BE WITHIN TOLERANCE IN E PORTION DETAILED DRAWING.
4. THIS PRODUCT MEETS EUROPEAN UNION DIRECTIVES AND OTHER COUNTRY REGULATIONS AS DESCRIBED IN GS-22-008.
5. THE HOUSING WILL WITHSTAND EXPOSURE TO 260°C PEAK TEMPERATURE FOR 10 SECONDS IN A REFLOW SOLDERING OVEN.

| | | | | | | | |
|-------------|----------------|-----|-----------|---------------------------------------|----------------------------|------------|---|
| mat'l. code | | | | surface ISO 1302 ✓ | tolerance ISO 406 ISO 1101 | projection | product family 58EF |
| ltr | ecn no | dr | date | tolerances unless otherwise specified | | | title CONNECTOR USED FOR FPC WITH 0.5 mm CONTACT SPACING (Cat No. : SFV__R-1STA__LF) |
| A | J04-0454 | H.T | '05/2/17 | angles | linear ±0.2 | | |
| B | J05-0710 | H.T | '05/10/21 | | | | dwg no JSA 96246 sheet 1 of 1 size A4 |
| C | J06-0064 | H.T | '06/2/23 | | | | |
| D | J06-0372 | H.T | '06/9/17 | dr | <i>H. Saito</i> 9/17/06 | | type Product Customer Drawing |
| | | | | enr | <i>H. Saito</i> 9/17/06 | | |
| | | | | chr | <i>X. Shoji</i> 9/8/06 | | |
| | | | | appd | <i>S. Ito</i> 9/1/06 | | |
| sheet index | revision sheet | D | 1 | | | | Rev. D |



FCIconnect.com

Copyright FCI

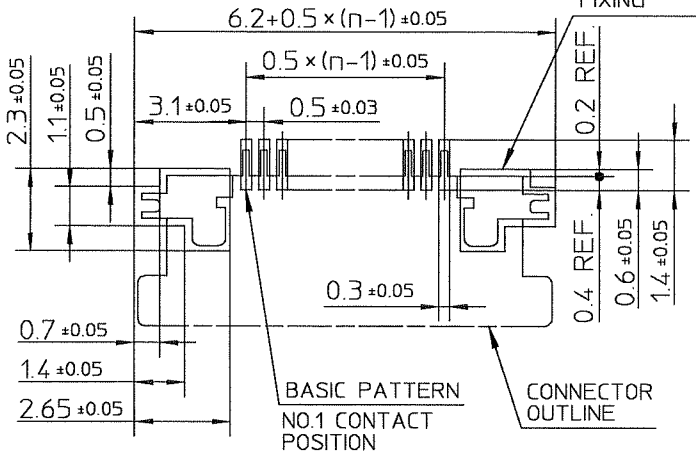


| PT. NO. | PARTS NAME | MATERIAL | Q'TY | NOTE |
|---------|----------------|--|------|--|
| 1 | HOUSING | POLYAMIDE RESIN GLASS REINFORCED (UL94V-0) | 1 | COLOR : BLACK |
| 2 | SLIDER | PPS RESIN GLASS REINFORCED (UL94V-0) | 1 | COLOR : BROWN |
| 3 | CONTACT | PHOSPHOR BRONZE | n | PLATING : CONTACT AREA GOLD TERMINAL AREA TIN |
| 4 | MOUNTING PLATE | | 2 | PLATING : LEAD FREE |

RECOMMENDED PC BOARD LAYOUT
(COMPONENT SIDE)

PATTERN FOR MOUNTING PLATE
FIXING

n : NO. OF CONTACTS



NOTES

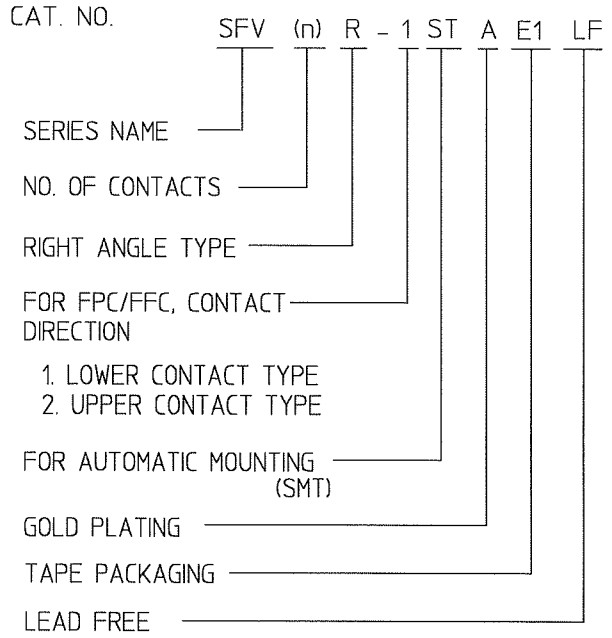
1. THIS PRODUCT IS THE CONNECTOR USED FOR FPC AND COPES WITH AUTOMATIC MOUNTING (SMT).
2. THIS PRODUCT IS UPPER CONTACT TYPE CONNECTOR.
3. FLATNESS OF CONTACT TERMINAL AND MOUNTING PLATE MUST BE WITHIN TOLERANCE IN E PORTION DETAILED DRAWING.
4. THIS PRODUCT MEETS EUROPEAN UNION DIRECTIVES AND OTHER COUNTRY REGULATIONS AS DESCRIBED IN GS-22-008.
5. THE HOUSING WILL WITHSTAND EXPOSURE TO 260°C PEAK TEMPERATURE FOR 10 SECONDS IN A REFLOW SOLDERING OVEN.

| | | | | | | | | | | | |
|-------------|----------------|-----|-----------|---------------------------------------|------------------|-------------------------------|---------------------|---|--|--|--------|
| mat'l. code | | | | surface | tolerance | projection | product family 58EF | | | | |
| | | | | ISO 1302 ✓ | ISO 406 ISO 1101 | | | | | | |
| ltr | ecn no | dr | date | tolerances unless otherwise specified | | | | title | | | |
| A | J04-0454 | H.T | '05/2/17 | angles | linear | ±0.2 | | CONNECTOR USED FOR FPC WITH 0.5 mm CONTACT SPACING (Cat. No. : SFV__R-2STA__LF) | | | |
| B | J05-0710 | H.T | '05/10/21 | | | | | dwg no | | | |
| C | J06-0064 | H.T | '06/2/23 | | | | | sheet 1 of 1 | | | |
| D | J06-0372 | H.T | '06/9/17 | dr | 9/17/06 | size | | | | | |
| | | | | enr | 9/17/06 | A4 | | | | | |
| | | | | chr | 9/18/06 | type Product Customer Drawing | | | | | |
| | | | | appd | 9/14/06 | | | | | | |
| sheet index | revision sheet | D | 1 | | | | | | | | Rev. D |

SC-SFV06 JSA96245 form: A4

CAT. NO. & DIMENSIONS

| NO. OF CONTACTS (n) | CAT. NO. | DIMENSIONS (NOTE3) | | |
|---------------------|-------------------|--------------------|---------|---------|
| | | F ± 5 | G ± 0.3 | H ± 0.1 |
| 4 | SFV4R-1/2STAE1LF | 20.4 | 16 | — |
| 5 | SFV5R-1/2STAE1LF | 20.4 | 16 | — |
| 6 | SFV6R-1/2STAE1LF | 20.4 | 16 | — |
| 7 | SFV7R-1/2STAE1LF | 28.4 | 24 | — |
| 8 | SFV8R-1/2STAE1LF | 28.4 | 24 | — |
| 9 | SFV9R-1/2STAE1LF | 28.4 | 24 | — |
| 10 | SFV10R-1/2STAE1LF | 28.4 | 24 | — |
| 11 | SFV11R-1/2STAE1LF | 28.4 | 24 | — |
| 12 | SFV12R-1/2STAE1LF | 28.4 | 24 | — |
| 13 | SFV13R-1/2STAE1LF | 28.4 | 24 | — |
| 14 | SFV14R-1/2STAE1LF | 28.4 | 24 | — |
| 15 | SFV15R-1/2STAE1LF | 28.4 | 24 | — |
| 16 | SFV16R-1/2STAE1LF | 28.4 | 24 | — |
| 17 | SFV17R-1/2STAE1LF | 28.4 | 24 | — |
| 18 | SFV18R-1/2STAE1LF | 28.4 | 24 | — |
| 19 | SFV19R-1/2STAE1LF | 28.4 | 24 | — |
| 20 | SFV20R-1/2STAE1LF | 28.4 | 24 | — |
| 21 | SFV21R-1/2STAE1LF | 28.4 | 24 | — |
| 22 | SFV22R-1/2STAE1LF | 28.4 | 24 | — |
| 23 | SFV23R-1/2STAE1LF | 36.4 | 32 | 28.4 |
| 24 | SFV24R-1/2STAE1LF | 36.4 | 32 | 28.4 |
| 25 | SFV25R-1/2STAE1LF | 36.4 | 32 | 28.4 |
| 26 | SFV26R-1/2STAE1LF | 36.4 | 32 | 28.4 |
| 27 | SFV27R-1/2STAE1LF | 36.4 | 32 | 28.4 |
| 28 | SFV28R-1/2STAE1LF | 36.4 | 32 | 28.4 |
| 29 | SFV29R-1/2STAE1LF | 36.4 | 32 | 28.4 |
| 30 | SFV30R-1/2STAE1LF | 36.4 | 32 | 28.4 |
| 31 | SFV31R-1/2STAE1LF | 48.4 | 44 | 40.4 |
| 32 | SFV32R-1/2STAE1LF | 48.4 | 44 | 40.4 |
| 33 | SFV33R-1/2STAE1LF | 48.4 | 44 | 40.4 |
| 34 | SFV34R-1/2STAE1LF | 48.4 | 44 | 40.4 |
| 35 | SFV35R-1/2STAE1LF | 48.4 | 44 | 40.4 |

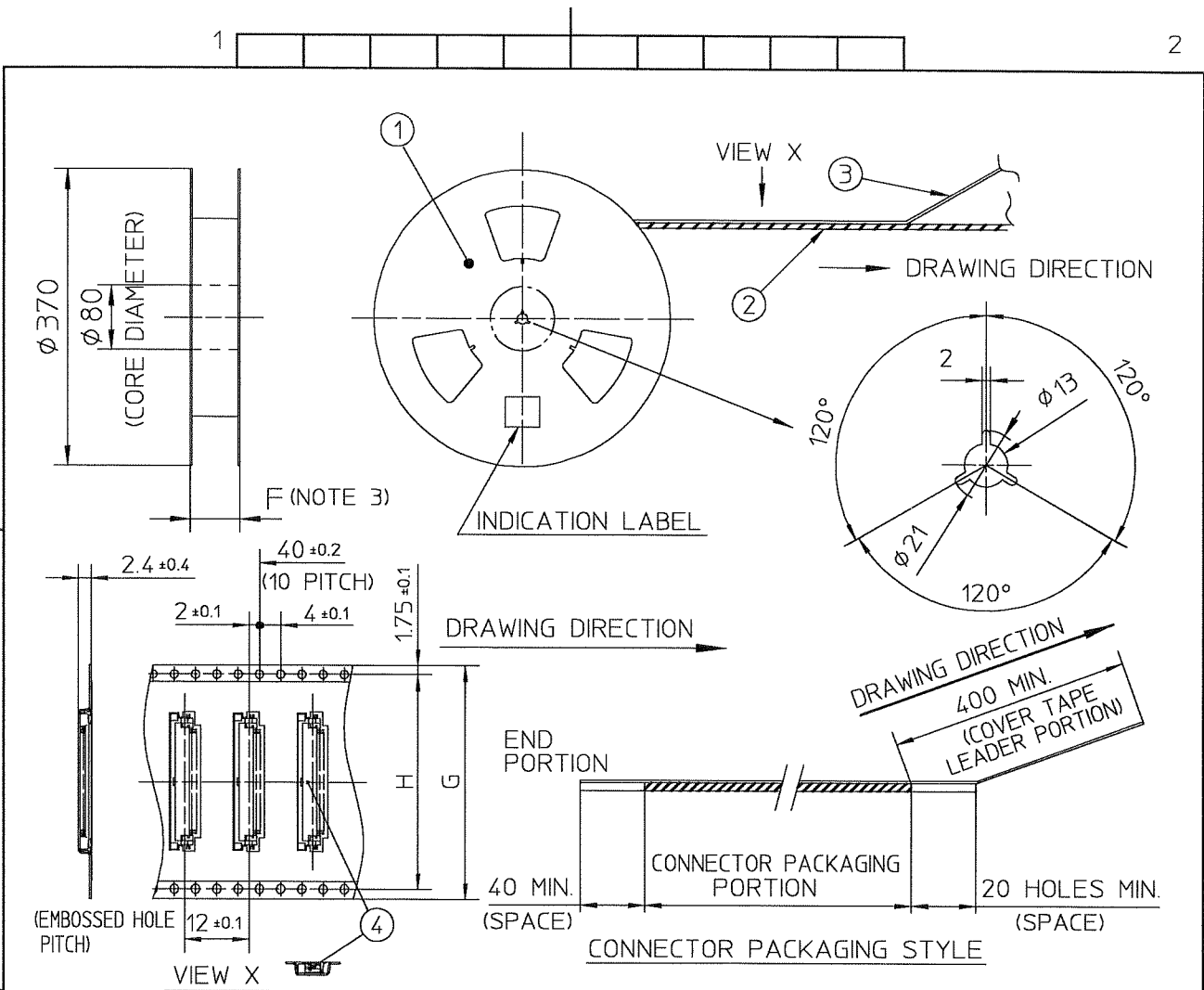


NOTES

1. THIS PRODUCT IS THE CONNECTOR USED FOR FPC AND COPEs WITH AUTOMATIC MOUNTING (SMT).
2. THIS CATALOG NO. INDICATES PLASTIC TAPE PACKAGED CONNECTOR.
3. SEE PART DRAWINGS FOR DIMENSIONS F-H.

| | | | | | | | | | | | | | |
|-------------|--|----------------|--|--|--|----------------------------|--|---------------------------------------|--|--|--|--------|--|
| mat'l. code | | | | surface ISO 1302 <input checked="" type="checkbox"/> | | tolerance ISO 406 ISO 1101 | | projection | | product family 58EF | | | |
| ltr | | ecn no | | dr | | date | | tolerances unless otherwise specified | | title | | | |
| A | | J04-0454 | | H.T | | '05/2/17 | | angles | | CAT. NO. TABLE FOR PLASTIC TAPE PACKAGED 0.5 mm CONTACT SPACING CONNECTOR (Cat. No. : SFV__R-1/2STAE1LF) | | | |
| B | | J06-0372 | | H.T | | '06/19/17 | | linear | | scale X | | | |
| | | | | | | | | dr | | dwg no | | | |
| | | | | | | | | engr | | sheet 1 of 1 | | | |
| | | | | | | | | chr | | JSA 96248 | | | |
| | | | | | | | | appd | | size A4 | | | |
| | | | | | | | | | | type Product Customer Drawing | | | |
| sheet index | | revision sheet | | B | | 1 | | | | | | Rev. B | |

SC-SFV06 JSA96245 96249 96250 form: A4



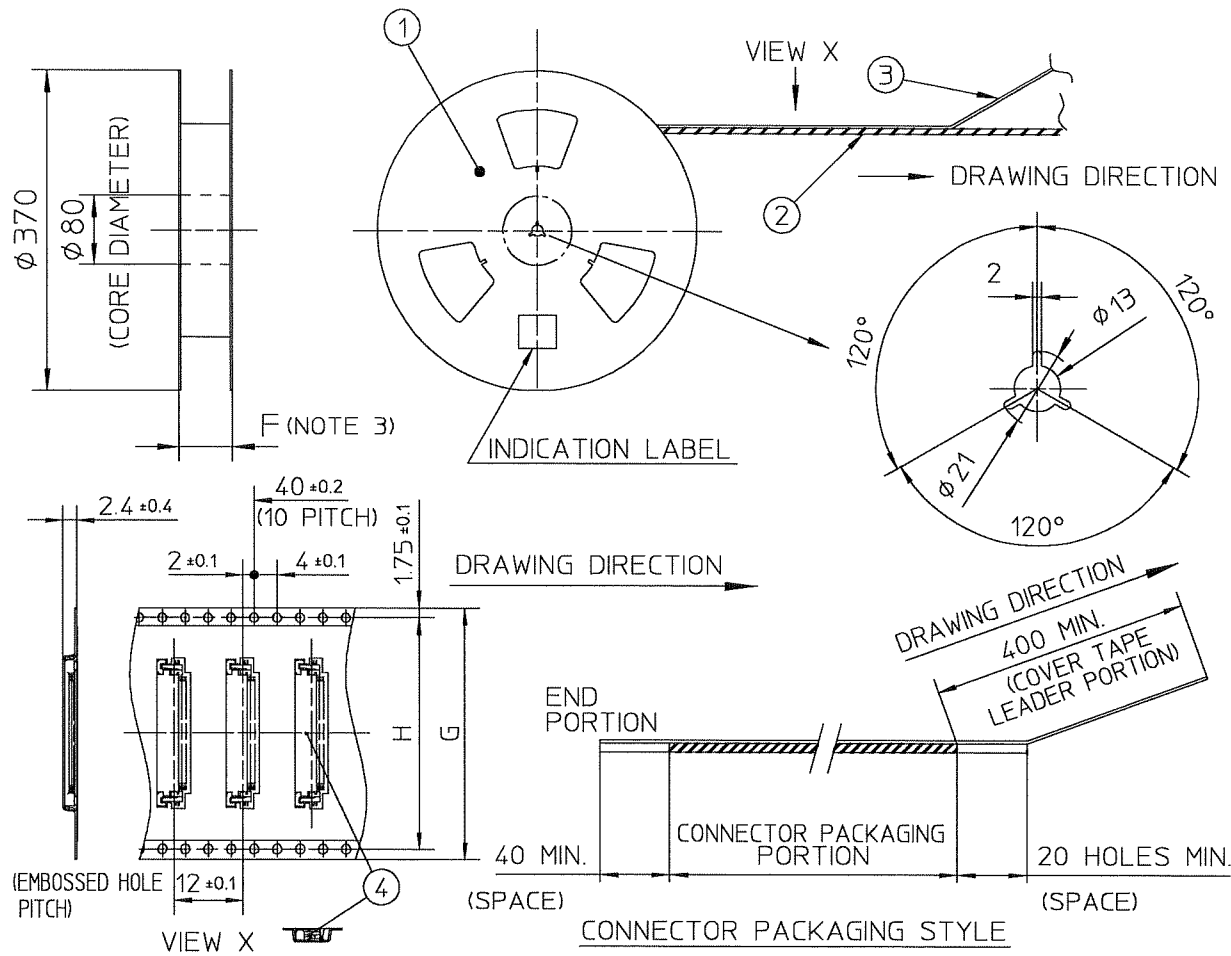
| PT. NO. | PARTS NAME | CAT. NO. | MATERIAL | Q'TY | NOTE |
|---------|-----------------------|---------------|-------------------|------|----------------------|
| 1 | REEL | --- | CARDBOARD | 1 | COLOR : WHITE |
| 2 | PLASTIC (EMBOSS) TAPE | --- | A-PET | --- | COLOR : TRANSPARENCY |
| 3 | COVER | --- | POLYESTER | --- | COLOR : TRANSPARENCY |
| 4 | CONNECTOR | SFV_R-1STA_LF | SEE ATTACHED DWG. | 3000 | LOWER CONTACT TYPE |

NOTES

1. THIS IS PLASTIC TAPE PACKAGED CONNECTOR USED FOR FPC AND COPES WITH AUTOMATIC MOUNTING (SMT).
2. SEE JIS C 0806 (PACKING OF ELECTRONIC COMPONENTS ON CONTINUOUS TAPES (SURFACE MOUNTING DEVICES)) FOR SHAPE AND DIMENSIONS OF PLASTIC (EMBOSS) TAPE AND REEL.
3. F DIMENSION IS PORTION OF THE CORE.

| | | | | | | | | | | | |
|------------------------|--|----------------|--|---------------------------------------|--|----------------------------|--|---|--|-------------------------------|--|
| mat'l. code | | | | surface ISO 1302 ✓ | | tolerance ISO 406 ISO 1101 | | projection | | product family 58EF | |
| ltr ecn no dr date | | | | tolerances unless otherwise specified | | ±5 | | title | | sheet 1 of 1 size | |
| A J04-0454 H.T '05/2/7 | | | | angles linear | | ±5° | | 0.5 mm CONTACT SPACING CONNECTOR (Cat. No. : SFV__R-1STAE1LF) | | A4 | |
| B J06-0372 H.T '06/9/7 | | | | dr | | 9/7/06 | | scale X | | sheet 1 of 1 size | |
| | | | | enr | | 9/7/06 | | FCI | | JSA 96249 | |
| | | | | chr | | 9/8/06 | | | | type Product Customer Drawing | |
| | | | | appd | | 9/12/06 | | | | Rev. B | |
| sheet index | | revision sheet | | B 1 | | | | | | Rev. B | |

SC-SFV06 JSA96248 form: A4



| PT. NO. | PARTS NAME | CAT. NO. | MATERIAL | Q'TY | NOTE |
|---------|-----------------------|---------------|-------------------|------|----------------------|
| 1 | REEL | _____ | CARDBOARD | 1 | COLOR : WHITE |
| 2 | PLASTIC (EMBOSS) TAPE | _____ | A-PET | — | COLOR : TRANSPARENCY |
| 3 | COVER | _____ | POLYESTER | — | COLOR : TRANSPARENCY |
| 4 | CONNECTOR | SFV_R-2STA_LF | SEE ATTACHED DWG. | 3000 | UPPER CONTACT TYPE |

NOTES

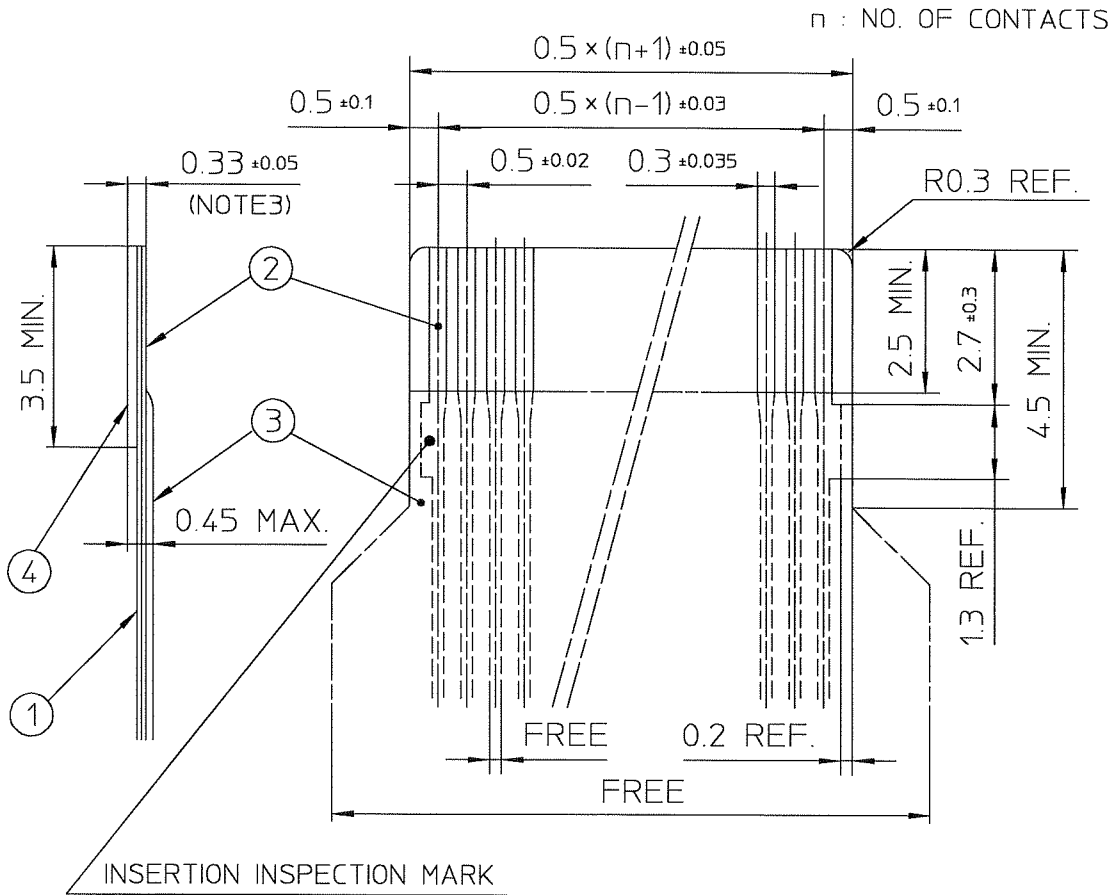
1. THIS IS PLASTIC TAPE PACKAGED CONNECTOR USED FOR FPC AND COPES WITH AUTOMATIC MOUNTING (SMT).
2. SEE JIS C 0806 (PACKING OF ELECTRONIC COMPONENTS ON CONTINUOUS TAPES (SURFACE MOUNTING DEVICES)) FOR SHAPE AND DIMENSIONS OF PLASTIC (EMBOSS) TAPE AND REEL.
3. F DIMENSION IS PORTION OF THE CORE.

| | | | | | | | | | |
|-------------|----------------|--------------------|---------|---------------------------------------|--------|------------|--|--|--------|
| mat'l. code | | surface ISO 1302 ✓ | | tolerance ISO 406 ISO 1101 | | projection | | product family 58EF | |
| ltr | ecn no | dr | date | tolerances unless otherwise specified | | | | title | |
| A | J04-0454 | H.T | '05/2/7 | angles | linear | | | PLASTIC TAPE PACKAGED 0.5 mm CONTACT SPACING CONNECTOR (Cat. No. : SFV_R-2STAE1LF) | |
| B | J06-0372 | H.T | '06/9/7 | ±5° | | scale X | | dwg no sheet 1 of 1 size | |
| | | | | dr | engr | | | JSA 96250 A4 | |
| | | | | chr | appd | | | type Product Customer Drawing | |
| sheet index | revision sheet | B | 1 | | | | | | Rev. B |



Copyright FCJ

RECOMMENDED CABLE (FPC)



| PT. NO. | PARTS NAME | MATERIAL | THICKNESS(μm) |
|---------|-----------------|---------------------------------|---------------|
| 1 | BASE FILM | POLYIMIDE OR POLYESTER OR EQUAL | 25 |
| 2 | CONDUCTOR | COPPER FOIL(PLATING : GOLD) | 35 |
| 3 | OVERLAY | POLYIMIDE OR POLYESTER OR EQUAL | — |
| 4 | SUPPORTING TAPE | POLYESTER OR POLYIMIDE OR EQUAL | 188 |

NOTES

1. NO BURR AT EACH PORTION.
2. NO PEELING IN COMMON USE.
3. TOTAL THICKNESS LIMIT OF EACH MATERIAL (INCLUDING ADHESIVE AGENT) IS SPECIFIED.

| | | | | | | | | | | | | |
|-------------|----------------|-----|----------|---------------------------------------|--|-------------------------------|--|--|--|------------------------|--|-----------|
| mat'l. code | | | | surface ISO 1302 ✓ | | tolerance ISO 406 ISO 1101 | | projection ⊕ | | product family 58EF | | |
| ltr | ecn no | dr | date | tolerances unless otherwise specified | | | | title RECOMMENDED CABLE (Cat. No. : SFV__R-1/2STA__) | | | | |
| A | J04-0182 | H.T | '04/7/15 | angles | | linear | | scale X | | | | |
| B | J06-0372 | H.T | '06/9/7 | | | | | FCI | | dwg no JSA 96004 | | |
| | | | | dr K. Suda 9/7/06 | | engr H. Suda 9/9/06 | | size A4 | | sheet 1 of 1 | | |
| | | | | chr R. Suda 9/8/06 | | appd S. Suda 9/11/06 | | type Product Customer Drawing | | | | |
| sheet index | revision sheet | B | 1 | | | | | | | | | Rev. B |

SC-SFV05 JSA95998
form: A4



FCIconnect.com

Copyright FCI

RECOMMENDED CABLE (FFC)

n : NO. OF CONTACTS



| KIND OF FFC (NOTE3) | DIMENSIONAL TOLERANCE | | | |
|---------------------|-----------------------|-------|-------|--------|
| | a | b | c | d |
| 1 | ±0.07 | ±0.04 | ±0.05 | ±0.02 |
| 2 | ±0.1 | ±0.03 | ±0.03 | ±0.025 |

| PT. NO. | PARTS NAME | MATERIAL |
|---------|-----------------|------------------------------------|
| 1 | INSULATOR | FLAME RESISTING POLYESTER OR EQUAL |
| 2 | CONDUCTOR | COPPER FOIL (PLATING : GOLD) |
| 3 | SUPPORTING TAPE | FLAME RESISTING POLYESTER OR EQUAL |

NOTES

- NO BURR AT EACH PORTION.
- NO PEELING IN COMMON USE.
- EITHER KIND1 OR KIND2 OF FFC CAN ACCEPT DIMENSIONAL TOLERANCE a,b,c AND d.

| | | | | | | | | | | |
|-------------|----------------|-----|----------|---------------------------------------|-----------------------------|----------------|---|--|--------------|------|
| mat'l. code | | | | surface ISO 1302 ✓ | tolerance ISO 406 ISO 1101 | projection | product family 58EF | | | |
| ltr | ecn no | dr | date | tolerances unless otherwise specified | | scale \times | title | | | |
| A | J06-0499 | H.T | 11/27/06 | angles | linear | | RECOMMENDED CABLE (Cat. No. : SFV__R-1/2ST__) | | | |
| | | | | dr | <i>[Signature]</i> 11/27/06 | | dwg no | | sheet 1 of 1 | size |
| | | | | engr | <i>[Signature]</i> 11/27/06 | | JSA 97202 | | | A4 |
| | | | | chr | <i>[Signature]</i> 11/27/06 | | type Product Customer Drawing | | | |
| | | | | appd | <i>[Signature]</i> 11/28/06 | | | | | |
| sheet index | revision sheet | A | 1 | | | | Rev. A | | | |



FCJconnect.com

Copyright FCJ

Компания «Life Electronics» занимается поставками электронных компонентов импортного и отечественного производства от производителей и со складов крупных дистрибьюторов Европы, Америки и Азии.

С конца 2013 года компания активно расширяет линейку поставок компонентов по направлению коаксиальный кабель, кварцевые генераторы и конденсаторы (керамические, пленочные, электролитические), за счёт заключения дистрибьюторских договоров

Мы предлагаем:

- Конкурентоспособные цены и скидки постоянным клиентам.
- Специальные условия для постоянных клиентов.
- Подбор аналогов.
- Поставку компонентов в любых объемах, удовлетворяющих вашим потребностям.
- Приемлемые сроки поставки, возможна ускоренная поставка.
- Доставку товара в любую точку России и стран СНГ.
- Комплексную поставку.
- Работу по проектам и поставку образцов.
- Формирование склада под заказчика.
- Сертификаты соответствия на поставляемую продукцию (по желанию клиента).
- Тестирование поставляемой продукции.
- Поставку компонентов, требующих военную и космическую приемку.
- Входной контроль качества.
- Наличие сертификата ISO.

В составе нашей компании организован Конструкторский отдел, призванный помогать разработчикам, и инженерам.

Конструкторский отдел помогает осуществить:

- Регистрацию проекта у производителя компонентов.
- Техническую поддержку проекта.
- Защиту от снятия компонента с производства.
- Оценку стоимости проекта по компонентам.
- Изготовление тестовой платы монтаж и пусконаладочные работы.



Тел: +7 (812) 336 43 04 (многоканальный)

Email: org@lifeelectronics.ru