

ADG201A/ADG202A
FEATURES

44V Supply Maximum Rating
±15V Analog Signal Range
Low R_{ON} (60Ω)
Low Leakage (0.5nA)
Break Before Make Switching
Extended Plastic Temperature Range
 (−40°C to +85°C)
Low Power Dissipation (33mW)
Available in 16-Lead DIP/SOIC and
20-Lead PLCC/LCCC Packages
Superior Second Source:
ADG201A Replaces DG201A, HI-201
ADG202A Replaces DG202

GENERAL DESCRIPTION

The ADG201A and ADG202A are monolithic CMOS devices comprising four independently selectable switches. They are designed on an enhanced LC²MOS process which gives an increased signal handling capability of ±15V. These switches also feature high switching speeds and low R_{ON}.

The ADG201A and ADG202A consist of four SPST switches. They differ only in that the digital control logic is inverted. All devices exhibit break before make switching action. Inherent in the design is low charge injection for minimum transients when switching the digital inputs.

FUNCTIONAL BLOCK DIAGRAMS


SWITCHES SHOWN FOR A LOGIC "1" INPUT

PRODUCT HIGHLIGHTS

- Extended Signal Range:**
 These switches are fabricated on an enhanced LC²MOS process, resulting in high breakdown and an increased analog signal range of ±15V.
- Single Supply Operation:**
 For applications where the analog signal is unipolar (0V to 15V), the switches can be operated from a single +15V supply.
- Low Leakage:**
 Leakage currents in the range of 500pA make these switches suitable for high precision circuits. The added feature of Break before Make allows for multiple outputs to be tied together for multiplexer applications while keeping leakage errors to a minimum.

| ADG201A IN | ADG202A IN | SWITCH CONDITION |
|---------------|---------------|---------------------|
| 0 | 1 | ON |
| 1 | 0 | OFF |

Table I. Truth Table

REV. A

Information furnished by Analog Devices is believed to be accurate and reliable. However, no responsibility is assumed by Analog Devices for its use; nor for any infringements of patents or other rights of third parties which may result from its use. No license is granted by implication or otherwise under any patent or patent rights of Analog Devices.

One Technology Way, P.O. Box 9106, Norwood, MA 02062-9106, U.S.A.
Tel: 617/329-4700 Fax: 617/326-8703 Twx: 710/394-6577
Telex: 924491 Cable: ANALOG NORWOODMASS

ADG201A/ADG202A—SPECIFICATIONS ($V_{DD} = +15V, V_{SS} = -15V$, unless otherwise specified)

| Parameter | K Version -40°C to | | B Version -40°C to | | T Version -55°C to | | Units | Test Conditions |
|--|-----------------------|-------|-----------------------|-------|-----------------------|--------|----------|--|
| | 25°C | +85°C | 25°C | +85°C | 25°C | +125°C | | |
| ANALOG SWITCH | | | | | | | | |
| Analog Signal Range | ±15 | ±15 | ±15 | ±15 | ±15 | ±15 | Volts | -10V ≤ V _S ≤ +10V I _{DS} = 1.0mA Test Circuit 1 |
| R _{ON} | 60 | | 60 | | 60 | | Ω typ | |
| | 90 | 145 | 90 | 145 | 90 | 145 | Ω max | |
| R _{ON} vs. V _D (V _S) | 20 | | 20 | | 20 | | % typ | V _S = 0V, I _{DS} = 1mA |
| R _{ON} Drift | 0.5 | | 0.5 | | 0.5 | | %/°C typ | |
| R _{ON} Match | 5 | | 5 | | 5 | | % typ | |
| I _S (OFF) | 0.5 | | 0.5 | | 0.5 | | nA typ | V _D = ±14V; V _S = ±14V; Test Circuit 2 |
| OFF Input Leakage | 2 | 100 | 2 | 100 | 1 | 100 | nA max | |
| I _D (OFF) | 0.5 | | 0.5 | | 0.5 | | nA typ | V _D = ±14V; V _S = ±14V; Test Circuit 2 |
| OFF Output Leakage | 2 | 100 | 2 | 100 | 1 | 100 | nA max | |
| I _D (ON) | 0.5 | | 0.5 | | 0.5 | | nA typ | V _D = ±14V; Test Circuit 3 |
| ON Channel Leakage | 2 | 200 | 2 | 200 | 1 | 200 | nA max | |
| DIGITAL CONTROL | | | | | | | | |
| V _{INH} , Input High Voltage | | 2.4 | | 2.4 | | 2.4 | V min | |
| V _{INL} , Input Low Voltage | | 0.8 | | 0.8 | | 0.8 | V max | |
| I _{INL} or I _{INH} | | 1 | | 1 | | 1 | μA max | |
| DYNAMIC CHARACTERISTICS | | | | | | | | |
| t _{OPEN} | 30 | | 30 | | 30 | | ns typ | Test Circuit 4 Test Circuit 4 V _S = 10V(p-p); f = 100kHz R _L = 75Ω; Test Circuit 6 Test Circuit 7 R _S = 0Ω; C _L = 1000pF; V _S = 0V Test Circuit 5 |
| t _{ON} ¹ | 300 | | 300 | | 300 | | ns max | |
| t _{OFF} ¹ | 250 | | 250 | | 250 | | ns max | |
| OFF Isolation | 80 | | 80 | | 80 | | dB typ | |
| Channel-to-Channel Crosstalk | 80 | | 80 | | 80 | | dB typ | |
| C _S (OFF) | 5 | | 5 | | 5 | | pF typ | |
| C _D (OFF) | 5 | | 5 | | 5 | | pF typ | |
| C _D , C _S (ON) | 16 | | 16 | | 16 | | pF typ | |
| C _{IN} Digital Input Capacitance | 5 | | 5 | | 5 | | pF typ | |
| Q _{INJ} Charge Injection | 20 | | 20 | | 20 | | pC typ | |
| POWER SUPPLY | | | | | | | | |
| I _{DD} | 0.6 | | 0.6 | | 0.6 | | mA typ | Digital Inputs = V _{INL} or V _{INH} |
| I _{DD} | | 2 | | 2 | | 2 | mA max | |
| I _{SS} | 0.1 | | 0.1 | | 0.1 | | mA typ | |
| I _{SS} | | 0.2 | | 0.2 | | 0.2 | mA max | |
| Power Dissipation | | 33 | | 33 | | 33 | mW max | |

NOTES

¹Sample tested at 25°C to ensure compliance.
Specifications subject to change without notice.

ABSOLUTE MAXIMUM RATINGS*

(T_A = +25°C unless otherwise stated)

| | |
|------------------------------------|--|
| V _{DD} to V _{SS} | 44V |
| V _{DD} to GND | 25V |
| V _{SS} to GND | -25V |
| Analog Inputs¹ | |
| Voltage at S, D | V _{SS} - 0.3V to V _{DD} + 0.3V |
| Continuous Current, S or D | 30mA |
| Pulsed Current S or D | |
| 1ms Duration, 10% Duty Cycle | 70mA |
| Digital Inputs¹ | |
| Voltage at IN | V _{SS} - 2V to V _{DD} + 2V or 20mA, Whichever Occurs First |

Power Dissipation (Any Package)

Up to +75°C 470mW
Derates above +75°C by 6mW/°C

Operating Temperature

Commercial (K Version) -40°C to +85°C
Industrial (B Version) -40°C to +85°C
Extended (T Version) -55°C to +125°C
Storage Temperature Range -65°C to +150°C
Lead Temperature (Soldering 10sec) +300°C

NOTE

¹Overtolerance at IN, S or D will be clamped by diodes. Current should be limited to the Maximum Rating above.

*COMMENT: Stresses above those listed under "Absolute Maximum Ratings" may cause permanent damage to the device. This is a stress rating only and functional operation of the device at these or any other conditions above those indicated in the operational sections of this specification is not implied. Exposure to absolute maximum rating conditions for extended periods may affect device reliability. Only one Absolute Maximum Rating may be applied at any one time.

CAUTION

ESD (electrostatic discharge) sensitive device. The digital control inputs are diode protected; however, permanent damage may occur on unconnected devices subject to high energy electrostatic fields. Unused devices must be stored in conductive foam or shunts. The protective foam should be discharged to the destination socket before devices are removed.



ORDERING GUIDE

| Model ¹ | Temperature Range | Package Option ² |
|--------------------|-------------------|-----------------------------|
| ADG201AKN | -40°C to +85°C | N-16 |
| ADG201AKR | -40°C to +85°C | R-16A |
| ADG201AKP | -40°C to +85°C | P-20A |
| ADG201ABQ | -40°C to +85°C | Q-16 |
| ADG201ATQ | -55°C to +125°C | Q-16 |
| ADG201ATE | -55°C to +125°C | E-20A |
| ADG202AKN | -40°C to +85°C | N-16 |
| ADG202AKR | -40°C to +85°C | R-16A |
| ADG202AKP | -40°C to +85°C | P-20A |
| ADG202ABQ | -40°C to +85°C | Q-16 |
| ADG202ATQ | -55°C to +125°C | Q-16 |
| ADG202ATE | -55°C to +125°C | E-20A |

NOTES

¹To order MIL-STD-883, Class B processed parts, add/883B to T grade part numbers. See Analog Devices Military Products Databook (1990) for military data sheet.

²E = Leadless Ceramic Chip Carrier (LCCC); N = Plastic DIP; R = 0.15" Small Outline IC (SOIC); P = Plastic Leaded Chip Carrier (PLCC); Q = Cerdip.

PIN CONFIGURATIONS

DIP, SOIC



LCCC



PLCC



ADG201A/ADG202A FUNCTIONAL DIAGRAM

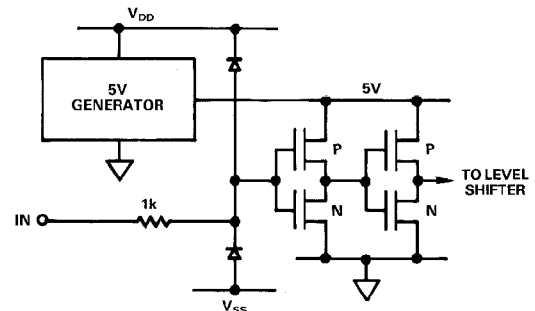


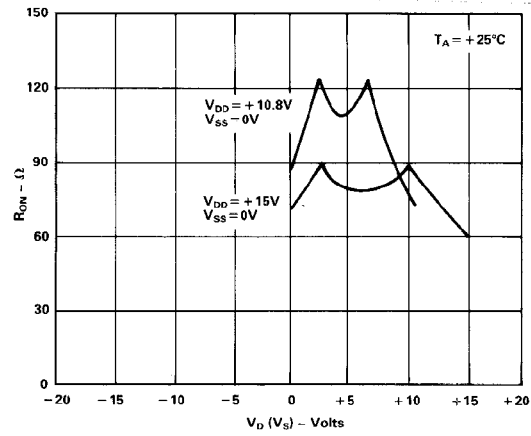
Figure 1. Typical Digital Input Cell

ADG201A/ADG202A—Typical Performance Characteristics

The switches are guaranteed functional with reduced single or dual supplies down to 4.5V.



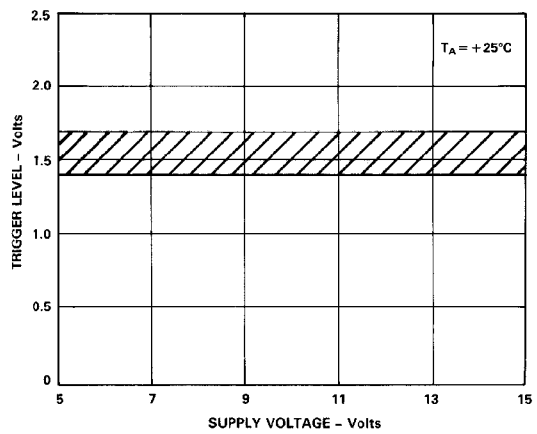
R_{ON} as a Function of V_D (V_S): Dual Supply Voltage



R_{ON} as a Function of V_D (V_S): Single Supply Voltage



Leakage Current as a Function of Temperature (Note: Leakage Currents Reduce as the Supply Voltages Reduce)



Trigger Level vs. Power Supply Voltage: Dual or Single Supply Voltage

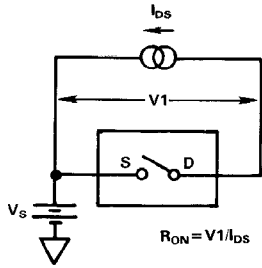


Switching Time vs. Supply Voltage (Dual Supply)



Switching Time vs. Supply Voltage (Single Supply)

Test Circuits—ADG201A/ADG202A



Test Circuit 1



Test Circuit 2



Test Circuit 3



Test Circuit 4



Test Circuit 5. Charge Injection



ADG201A $V_{IN} = 5V$
ADG202A $V_{IN} = 0V$

OFF ISOLATION =
 $20 \times \text{LOG} |V_s/V_O|$

Test Circuit 6. Off Isolation



ADG201A $V_{IN} = 0V$
ADG202A $V_{IN} = 5V$

CHANNEL-TO-CHANNEL CROSSTALK =
 $20 \times \text{LOG} |V_s/V_O|$

Test Circuit 7. Channel-to-Channel Crosstalk

ADG201A/ADG202A

TERMINOLOGY

| | |
|-----------------|---|
| R_{ON} | Ohmic resistance between terminals OUT and S |
| R_{ON} Match | Difference between the R_{ON} of any two channels |
| I_S (OFF) | Source terminal leakage current when the switch is off |
| I_D (OFF) | Drain terminal leakage current when the switch is off |
| I_D (ON) | Leakage current that flows from the closed switch into the body |
| V_D (V_S) | Analog voltage on terminal D, S |
| C_S (OFF) | Switch input capacitance "OFF" condition |
| C_D (OFF) | Switch output capacitance "OFF" condition |
| C_{IN} | Digital input capacitance |
| C_D, C_S (ON) | Input or output capacitance when the switch is on |

| | |
|-------------------------|---|
| t_{ON} | Delay time between the 50% and 90% points of the digital input and switch "ON" condition |
| t_{OFF} | Delay time between the 50% and 90% points of the digital input and switch "OFF" condition |
| t_{OPEN} | "OFF" time measured between 50% points of both switches, which are connected as a multiplexer, when switching from one address state to another |
| V_{INL} | Maximum Input Voltage for a Logic Low |
| V_{INH} | Minimum Input Voltage for a Logic High |
| I_{INL} (I_{INH}) | Input current of the digital input |
| V_{DD} | Most positive voltage supply |
| V_{SS} | Most negative voltage supply |
| I_{DD} | Positive supply current |
| I_{SS} | Negative supply current |

MECHANICAL INFORMATION

OUTLINE DIMENSIONS

Dimensions shown in inches and (mm).

16-Pin Plastic (N-16)



LEAD NO. 1 IDENTIFIED BY DOT OR NOTCH
LEADS ARE SOLDER OR TIN-PLATED KOVAR OR ALLOY 42

16-Pin Cerdip (Q-16)



SOIC Package (R-16A)



20-Terminal Leadless Ceramic Chip Carrier (E-20A)



20-Terminal Plastic Leaded Chip Carrier (P-20A)



Компания «Life Electronics» занимается поставками электронных компонентов импортного и отечественного производства от производителей и со складов крупных дистрибьюторов Европы, Америки и Азии.

С конца 2013 года компания активно расширяет линейку поставок компонентов по направлению коаксиальный кабель, кварцевые генераторы и конденсаторы (керамические, пленочные, электролитические), за счёт заключения дистрибьюторских договоров

Мы предлагаем:

- Конкуренспособные цены и скидки постоянным клиентам.
- Специальные условия для постоянных клиентов.
- Подбор аналогов.
- Поставку компонентов в любых объемах, удовлетворяющих вашим потребностям.
- Приемлемые сроки поставки, возможна ускоренная поставка.
- Доставку товара в любую точку России и стран СНГ.
- Комплексную поставку.
- Работу по проектам и поставку образцов.
- Формирование склада под заказчика.
- Сертификаты соответствия на поставляемую продукцию (по желанию клиента).
- Тестирование поставляемой продукции.
- Поставку компонентов, требующих военную и космическую приемку.
- Входной контроль качества.
- Наличие сертификата ISO.

В составе нашей компании организован Конструкторский отдел, призванный помогать разработчикам, и инженерам.

Конструкторский отдел помогает осуществить:

- Регистрацию проекта у производителя компонентов.
- Техническую поддержку проекта.
- Защиту от снятия компонента с производства.
- Оценку стоимости проекта по компонентам.
- Изготовление тестовой платы монтаж и пусконаладочные работы.



Тел: +7 (812) 336 43 04 (многоканальный)

Email: org@lifeelectronics.ru