

LTC5562 Wideband Low Power Active Mixer

DESCRIPTION

The **LTC5562** is a versatile low power mixer optimized for applications requiring very wide input bandwidth, low distortion, and low LO leakage. This mixer can be used for either upconverting or downconverting applications, and provides a nominal conversion gain of 1dB. Demonstration circuit 2483A-A showcases the LTC5562 mixer for upconverting applications while demonstration circuit 2483A-B is tuned for downconverting applications. The differential inputs are optimized for use with 1:1 transmission-line baluns, allowing very wideband impedance matching. The LTC5562 uses a 3.3V supply for low power consumption and an enable pin allows the part to be shut

down for further power savings. The total mixer current is adjustable, allowing for even further power savings. The standard match frequency ranges for each board are outlined in the table below.

DEMO BOARD	INPUT RANGE	LO RANGE	OUTPUT RANGE
DC2483A-A	30MHz to 3GHz	2.8GHz to 3.4GHz	3.3GHz to 3.7GHz
DC2483A-B	30MHz to 3GHz	0.4GHz to 1.4GHz	10MHz to 550MHz

Design files for this circuit board are available at <http://www.linear.com/demo/DC2483A-A>

LT, LT, LTC, LTM, Linear Technology and the Linear logo are registered trademarks of Analog Devices, Inc. All other trademarks are the property of their respective owners.

ABSOLUTE MAXIMUM INPUT RATINGS

Supply Voltage (V_{CC} , OUT^+ , OUT^-) 4V
 Enable Input Voltage (EN) $-0.3V$ to $V_{CC} + 0.3V$
 LO^+ , LO^- Input Power (1GHz to 7GHz) 10dBm
 IN^+ , IN^- Power (10MHz to 7GHz) 15dBm
 $LGND$ Voltage $-0.3V$ to 1V
 Operating Temperature Range (T_C) $-40^{\circ}C$ to $105^{\circ}C$

Junction Temperature (T_J) $150^{\circ}C$
 Storage Temperature Range $-65^{\circ}C$ to $150^{\circ}C$

CAUTION: THIS PART IS SENSITIVE TO ELECTROSTATIC DISCHARGE (ESD). OBSERVE PROPER ESD PRECAUTIONS WHEN HANDLING THE LTC5562.

BOARD PHOTO

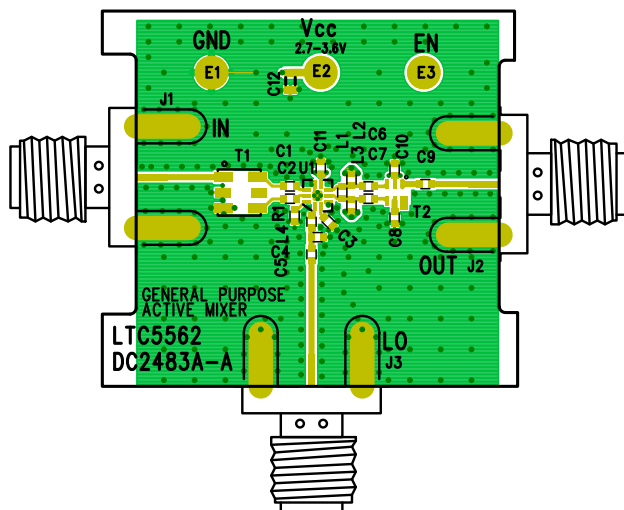


Figure 1. DC2483A-A

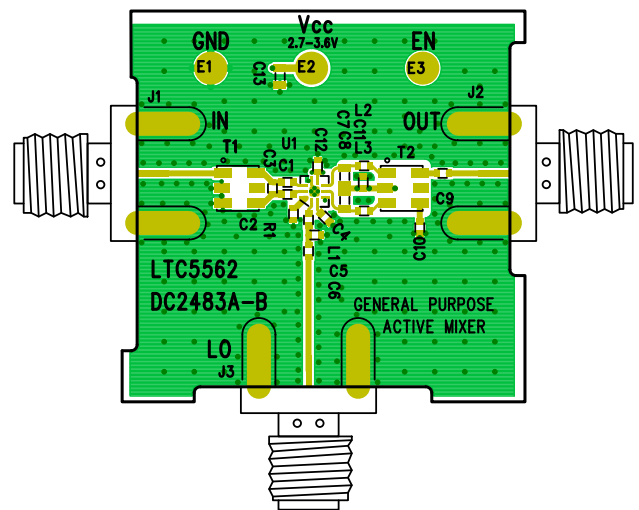


Figure 2. DC2483A-B

NOTES ON TEST EQUIPMENT SETUP

- High performance signal generators with low harmonic outputs should be used for 2-tone measurements. Otherwise, lowpass filters at the signal generator outputs should be used to suppress harmonics.
- High quality combiners should be used to present a broadband 50Ω termination on all ports as well as provide good port-to-port isolation. Adding attenuator pads further improves source isolation and helps prevent the signal generators from producing intermodulation products.
- Spectrum analyzers can produce significant internal distortion products if they are overdriven. Generally, spectrum analyzers are designed to operate at their best with about -30dBm to -40dBm at their input. The spectrum analyzer's input attenuation setting should be used to avoid saturating the instrument.
- Set the spectrum analyzer's input attenuation depending on the spectrum analyzer used.
- Before performing measurements on the DUT, the system performance should be evaluated to ensure that a clean input signal is obtained and that the spectrum analyzer's internal distortion is minimized.

PROPER TEST SETUPS

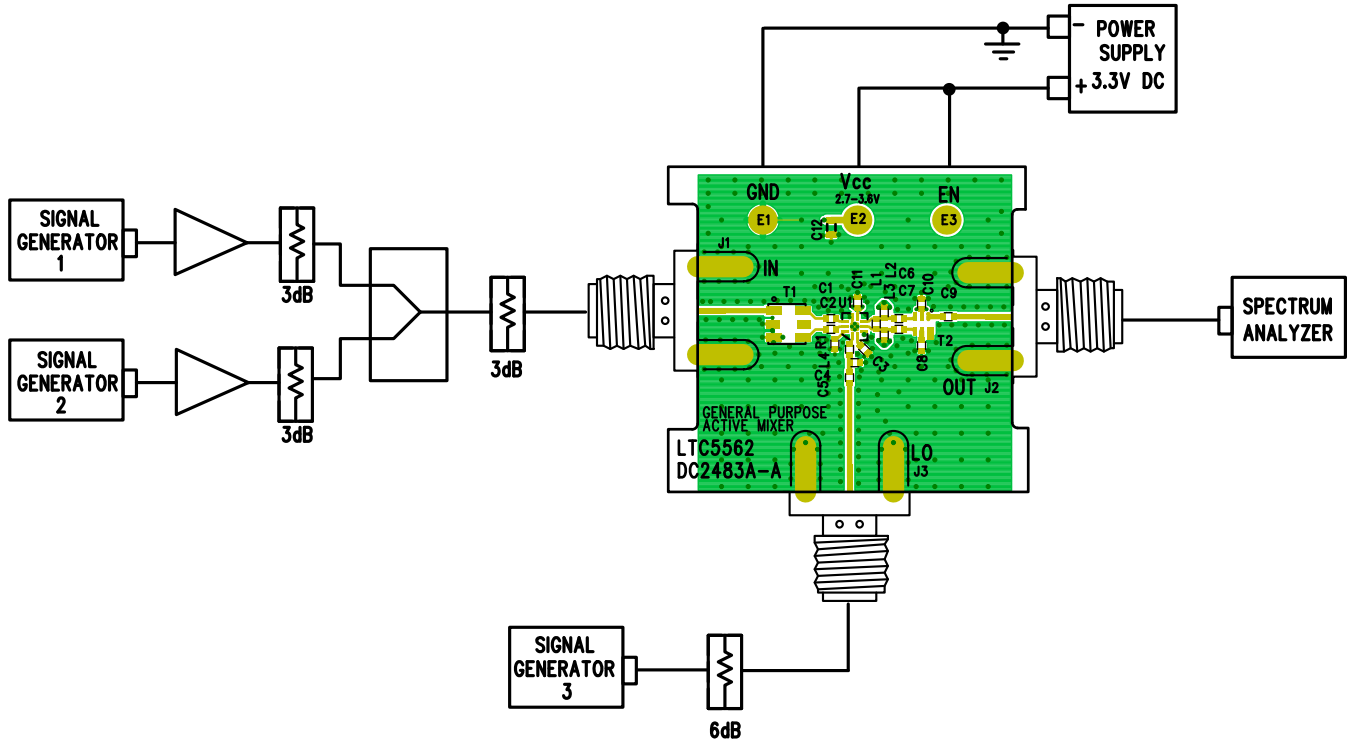


Figure 3. DC2483A-A Upconverter Two-Tone Test Setup

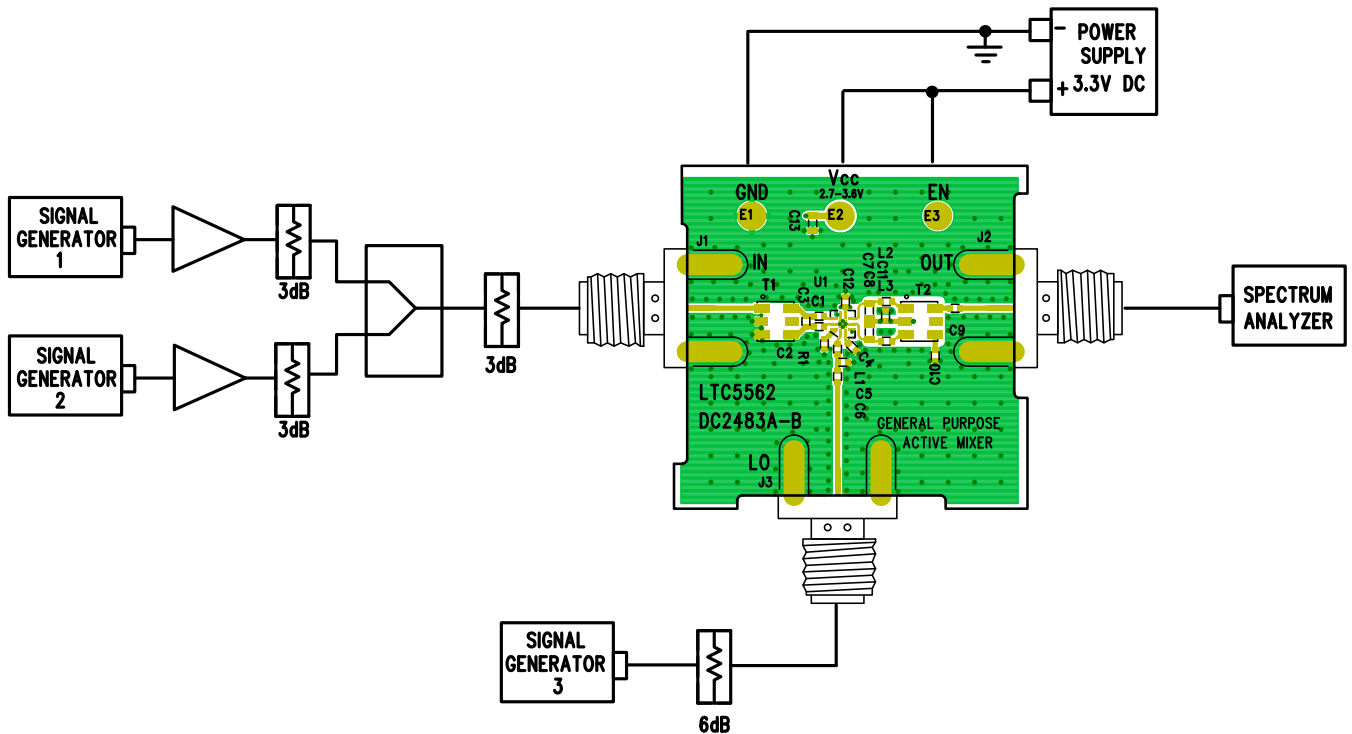


Figure 4. DC2483A-B Downconverter Two-Tone Test Setup

QUICK START PROCEDURE (DC2483A-A)

1. Connect all test equipment as shown in Figure 3.
2. Set the power supply output voltage to 3.3V and set the current limit to 60mA.
3. Connect the ground and V_{CC} turrets to the power supply.
BE SURE TO CONNECT THE V_{CC} TURRET BEFORE THE EN TURRET TO ENSURE THAT THE PART DOES NOT GET DAMAGED. ALSO, REMOVE POWER FROM EN TURRET BEFORE REMOVING POWER FROM THE V_{CC} TURRET.
4. Connect the EN turret to the power supply.
5. Set the LO signal generator to provide a 3360MHz CW signal at about 0dBm to the demo board's LO port.
6. Set the RF signal generators to provide one 239MHz CW signal and one 241MHz CW signal. The signals should be applied to the 2-way combiner. The output of the combiner should be applied to the demo board's RF input port. The two tones should be set to -12dBm each at the mixer's RF input port.
7. Set the spectrum analyzer's center frequency to 3600MHz.
8. Perform various measurements (conversion gain, OIP3, LO leakage, etc.).

QUICK START PROCEDURE (DC2483A-B)

1. Connect all test equipment as shown in Figure 4.
2. Set the power supply output voltage to 3.3V and set the current limit to 60mA.
3. Connect the ground and V_{CC} turrets to the power supply.
BE SURE TO CONNECT THE V_{CC} TURRET BEFORE THE EN TURRET TO ENSURE THAT THE PART DOES NOT GET DAMAGED. ALSO, REMOVE POWER FROM EN TURRET BEFORE REMOVING POWER FROM THE V_{CC} TURRET.
4. Connect the EN turret to the power supply.
5. Set the LO signal generator to provide a 1040MHz CW signal at about 0dBm to the demo board's LO port.
6. Set the RF signal generators to provide one 899MHz CW signal and one 901MHz CW signal. The signals should be applied to the 2-way combiner. The output of the combiner should be applied to the demo board's RF input port. The two tones should be set to -12dBm each at the mixer's RF input port.
7. Set the spectrum analyzer's center frequency to 140MHz.
8. Perform various measurements (conversion gain, OIP3, LO leakage, etc.).

DEMO MANUAL

DC2483A-A/DC2483A-B

PARTS LIST

ITEM	QTY	REFERENCE	PART DESCRIPTION	MANUFACTURER/PART NUMBER
DC2483A-A Required Circuit Components				
1	5	C1-C3, C8, C9	CAP, 1000pF, X7R, 50V, 10%, 0402	MURATA GRM155R71H102KA01D
2	3	C4, C6, C7	CAP, 1.2pF, C0G, 50V, ±0.25pF, 0402	MURATA GJM1555C1H1R2CB01D
3	1	C5	CAP, 10pF, C0G, 50V, 5%, 0402	MURATA GRM1555C1H100JA01D
4	2	C10, C11	CAP, 10nF, X7R, 50V, 10%, 0402	MURATA GRM155R71H103KA88D
5	1	C12	CAP, 2.2µF, X5R, 10V, 10%, 0603	MURATA GRM188R61A225KE34D
6	3	E1, E2, E3	TEST POINT, TURRET, 0.064", MTG. HOLE	MILL-MAX 2308-2-00-80-00-00-07-0
7	3	J1-J3	CONN., SMA, 50Ω EDGE-LAUNCH	CINCH CONNECTIVITY 142-0701-851
8	3	L1-L3	IND., 3.6nH, 2%, 0402, WIRE-WOUND	COILCRAFT 0402HP-3N6XGLW
9	1	L4	IND., 1.5nH, ±0.3nH, 0402, MULTILAYER	MURATA LQG15HS1N5S02D
10	1	R1	RES., 0Ω JUMPER, 0402	VISHAY CRCW04020000Z0ED
11	1	T1	XFMR, 1:1, 4.5MHz to 3000MHz	MINI-CIRCUITS TC1-1-13M+
12	1	T2	XFMR, 4:1, 3300MHz to 4200MHz	MINI-CIRCUITS NCS4-442+
13	1	U1	IC, LTC5562IUC, QFN 10-PIN, 2mm × 2mm	LINEAR TECH LTC5562IUC#PBF
DC2483A-B Required Circuit Components				
1	4	C1, C2, C4, C6	CAP, 1000pF, X7R, 50V, 10%, 0402, SINGLE SOURCE ONLY	MURATA, GRM155R71H102KA01D
2	2	C3, C5	CAP, OPTION, 0402	DNI
3	2	C7, C8	CAP, OPTION, 0603	DNI
4	3	C9, C10, R1	RES., 0Ω JUMPER, 0402	VISHAY, CRCW04020000Z0ED
5	2	C11, C12	CAP, 10nF, X7R, 50V, 10%, 0402, SINGLE SOURCE ONLY	MURATA, GRM155R71H103KA88D
6	1	C13	CAP, 2.2µF, X5R, 10V, 10%, 0603, SINGLE SOURCE ONLY	MURATA, GRM188R61A225KE34D
7	3	E1, E2, E3	TEST POINT, TURRET, 0.064", MTG. HOLE	MILL-MAX, 2308-2-00-80-00-00-07-0
8	3	J1, J2, J3	CONN., SMA, 50Ω EDGE-LAUNCH	CINCH CONNECTIVITY, 142-0701-851
9	1	L1	IND., 7.5nH, 2%, 0402, WIRE-WOUND	COILCRAFT, 0402HP-7N5XGLW
10	2	L2, L3	IND., 100nH, 5%, 0402, WIRE-WOUND	COILCRAFT, 0402AF-101XJL
11	1	T1	XFMR, 1:1, 4.5MHz to 3000MHz	MINI-CIRCUITS, TC1-1-13M+
12	1	T2	XFMR, 8:1, 2MHz to 500MHz	MINI-CIRCUITS, TC8-1-10LN+
13	1	U1	IC, LTC5562IUC, QFN 10-PIN, 2mm × 2mm	LINEAR TECH, LTC5562IUC#PBF

DEMO MANUAL

DC2483A-A/DC2483A-B

SCHEMATIC DIAGRAM

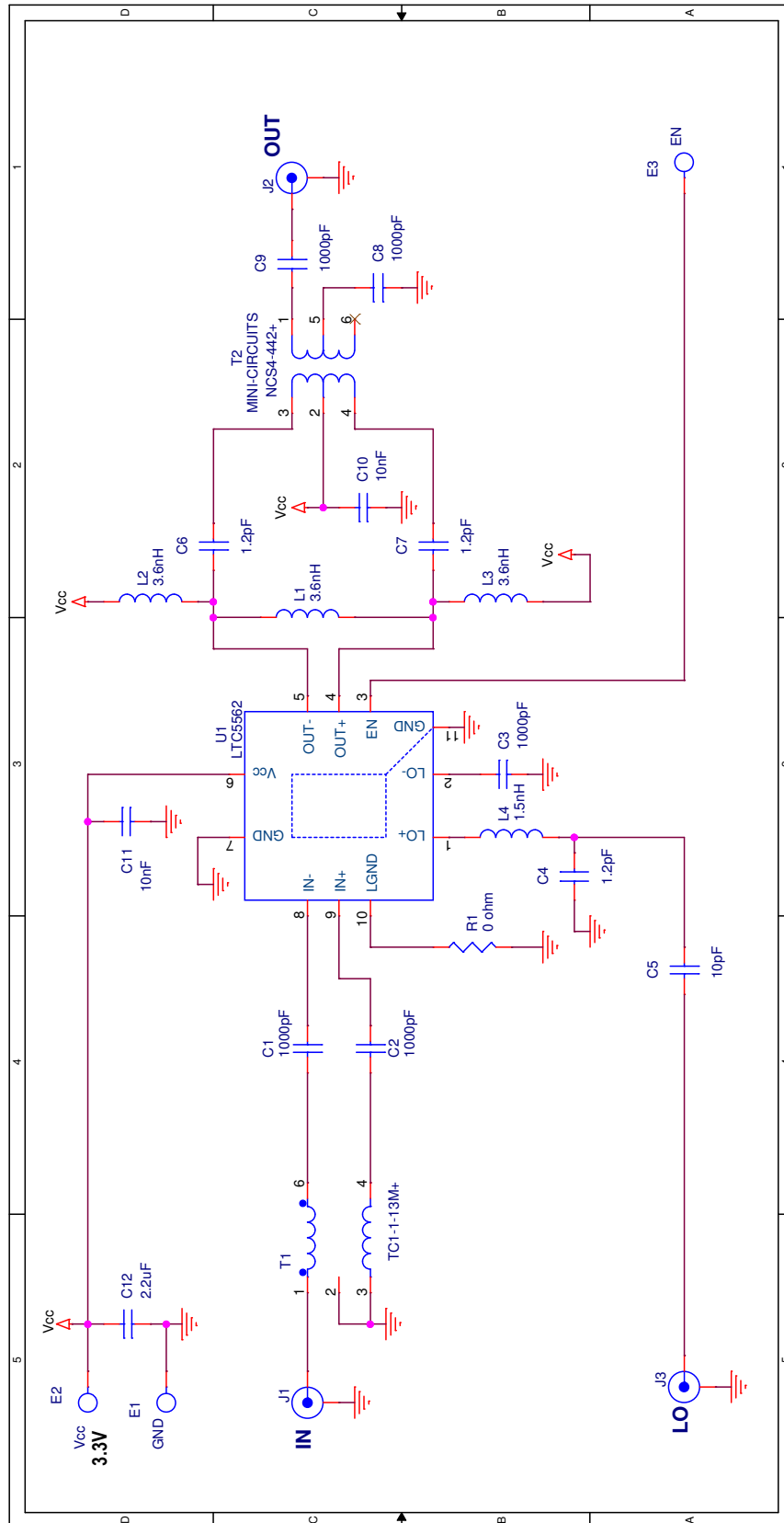


Figure 5. DC2483A-A Upconverter Schematic

SCHEMATIC DIAGRAM

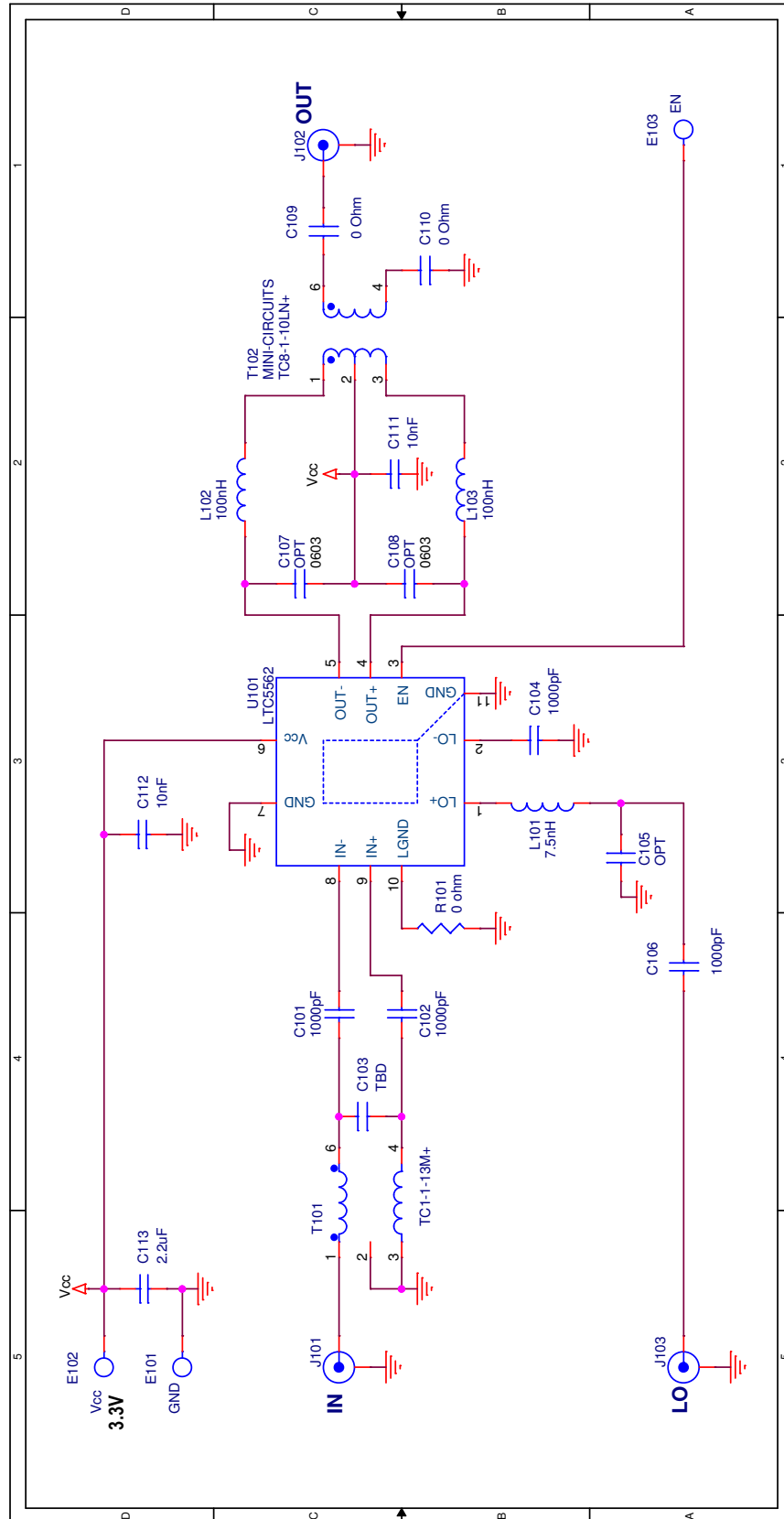


Figure 6. DC2483A-B Downconverter Schematic

DEMO MANUAL

DC2483A-A/DC2483A-B

DEMONSTRATION BOARD IMPORTANT NOTICE

Linear Technology Corporation (LTC) provides the enclosed product(s) under the following **AS IS** conditions:

This demonstration board (DEMO BOARD) kit being sold or provided by Linear Technology is intended for use for **ENGINEERING DEVELOPMENT OR EVALUATION PURPOSES ONLY** and is not provided by LTC for commercial use. As such, the DEMO BOARD herein may not be complete in terms of required design-, marketing-, and/or manufacturing-related protective considerations, including but not limited to product safety measures typically found in finished commercial goods. As a prototype, this product does not fall within the scope of the European Union directive on electromagnetic compatibility and therefore may or may not meet the technical requirements of the directive, or other regulations.

If this evaluation kit does not meet the specifications recited in the DEMO BOARD manual the kit may be returned within 30 days from the date of delivery for a full refund. **THE FOREGOING WARRANTY IS THE EXCLUSIVE WARRANTY MADE BY THE SELLER TO BUYER AND IS IN LIEU OF ALL OTHER WARRANTIES, EXPRESSED, IMPLIED, OR STATUTORY, INCLUDING ANY WARRANTY OF MERCHANTABILITY OR FITNESS FOR ANY PARTICULAR PURPOSE. EXCEPT TO THE EXTENT OF THIS INDEMNITY, NEITHER PARTY SHALL BE LIABLE TO THE OTHER FOR ANY INDIRECT, SPECIAL, INCIDENTAL, OR CONSEQUENTIAL DAMAGES.**

The user assumes all responsibility and liability for proper and safe handling of the goods. Further, the user releases LTC from all claims arising from the handling or use of the goods. Due to the open construction of the product, it is the user's responsibility to take any and all appropriate precautions with regard to electrostatic discharge. Also be aware that the products herein may not be regulatory compliant or agency certified (FCC, UL, CE, etc.).

No License is granted under any patent right or other intellectual property whatsoever. **LTC assumes no liability for applications assistance, customer product design, software performance, or infringement of patents or any other intellectual property rights of any kind.**

LTC currently services a variety of customers for products around the world, and therefore this transaction **is not exclusive**.

Please read the DEMO BOARD manual prior to handling the product. Persons handling this product must have electronics training and observe good laboratory practice standards. **Common sense is encouraged.**

This notice contains important safety information about temperatures and voltages. For further safety concerns, please contact a LTC application engineer.

Mailing Address:

Linear Technology
1630 McCarthy Blvd.
Milpitas, CA 95035

Copyright © 2004, Linear Technology Corporation

Компания «Life Electronics» занимается поставками электронных компонентов импортного и отечественного производства от производителей и со складов крупных дистрибьюторов Европы, Америки и Азии.

С конца 2013 года компания активно расширяет линейку поставок компонентов по направлению коаксиальный кабель, кварцевые генераторы и конденсаторы (керамические, пленочные, электролитические), за счёт заключения дистрибьюторских договоров

Мы предлагаем:

- Конкурентоспособные цены и скидки постоянным клиентам.
- Специальные условия для постоянных клиентов.
- Подбор аналогов.
- Поставку компонентов в любых объемах, удовлетворяющих вашим потребностям.
- Приемлемые сроки поставки, возможна ускоренная поставка.
- Доставку товара в любую точку России и стран СНГ.
- Комплексную поставку.
- Работу по проектам и поставку образцов.
- Формирование склада под заказчика.
- Сертификаты соответствия на поставляемую продукцию (по желанию клиента).
- Тестирование поставляемой продукции.
- Поставку компонентов, требующих военную и космическую приемку.
- Входной контроль качества.
- Наличие сертификата ISO.

В составе нашей компании организован Конструкторский отдел, призванный помогать разработчикам, и инженерам.

Конструкторский отдел помогает осуществить:

- Регистрацию проекта у производителя компонентов.
- Техническую поддержку проекта.
- Защиту от снятия компонента с производства.
- Оценку стоимости проекта по компонентам.
- Изготовление тестовой платы монтаж и пусконаладочные работы.



Тел: +7 (812) 336 43 04 (многоканальный)

Email: org@lifeelectronics.ru