



Is Now Part of



**ON Semiconductor®**

To learn more about ON Semiconductor, please visit our website at  
[www.onsemi.com](http://www.onsemi.com)

Please note: As part of the Fairchild Semiconductor integration, some of the Fairchild orderable part numbers will need to change in order to meet ON Semiconductor's system requirements. Since the ON Semiconductor product management systems do not have the ability to manage part nomenclature that utilizes an underscore (\_), the underscore (\_) in the Fairchild part numbers will be changed to a dash (-). This document may contain device numbers with an underscore (\_). Please check the ON Semiconductor website to verify the updated device numbers. The most current and up-to-date ordering information can be found at [www.onsemi.com](http://www.onsemi.com). Please email any questions regarding the system integration to [Fairchild\\_questions@onsemi.com](mailto:Fairchild_questions@onsemi.com).

ON Semiconductor and the ON Semiconductor logo are trademarks of Semiconductor Components Industries, LLC dba ON Semiconductor or its subsidiaries in the United States and/or other countries. ON Semiconductor owns the rights to a number of patents, trademarks, copyrights, trade secrets, and other intellectual property. A listing of ON Semiconductor's product/patent coverage may be accessed at [www.onsemi.com/site/pdf/Patent-Marking.pdf](http://www.onsemi.com/site/pdf/Patent-Marking.pdf). ON Semiconductor reserves the right to make changes without further notice to any products herein. ON Semiconductor makes no warranty, representation or guarantee regarding the suitability of its products for any particular purpose, nor does ON Semiconductor assume any liability arising out of the application or use of any product or circuit, and specifically disclaims any and all liability, including without limitation special, consequential or incidental damages. Buyer is responsible for its products and applications using ON Semiconductor products, including compliance with all laws, regulations and safety requirements or standards, regardless of any support or applications information provided by ON Semiconductor. "Typical" parameters which may be provided in ON Semiconductor data sheets and/or specifications can and do vary in different applications and actual performance may vary over time. All operating parameters, including "Typicals" must be validated for each customer application by customer's technical experts. ON Semiconductor does not convey any license under its patent rights nor the rights of others. ON Semiconductor products are not designed, intended, or authorized for use as a critical component in life support systems or any FDA Class 3 medical devices or medical devices with a same or similar classification in a foreign jurisdiction or any devices intended for implantation in the human body. Should Buyer purchase or use ON Semiconductor products for any such unintended or unauthorized application, Buyer shall indemnify and hold ON Semiconductor and its officers, employees, subsidiaries, affiliates, and distributors harmless against all claims, costs, damages, and expenses, and reasonable attorney fees arising out of, directly or indirectly, any claim of personal injury or death associated with such unintended or unauthorized use, even if such claim alleges that ON Semiconductor was negligent regarding the design or manufacture of the part. ON Semiconductor is an Equal Opportunity/Affirmative Action Employer. This literature is subject to all applicable copyright laws and is not for resale in any manner.

# FCBS0550

## Smart Power Module (SPM)

### Features

- UL Certified No.E209204(SPM27-BA package)
- 500V-5A 3-phase MOSFET inverter bridge including control ICs for gate driving and protection
- Divided negative dc-link terminals for inverter current sensing applications
- Single-grounded power supply due to built-in HVIC
- Isolation rating of 2500Vrms/min.
- Very low leakage current due to using ceramic substrate

### Applications

- AC 200V three-phase inverter drive for small power ac motor drives
- Home appliances applications like refrigerator.

### General Description

It is an advanced smart power module (SPM) that Fairchild has newly developed and designed to provide very compact and high performance ac motor drives mainly targeting low-power inverter-driven application like refrigerator. It combines optimized circuit protection and drive matched to low-loss MOSFETs. System reliability is further enhanced by the integrated under-voltage lock-out and short-circuit protection. The high speed built-in HVIC provides opto-coupler-less single-supply MOSFET gate driving capability that further reduce the overall size of the inverter system design. Each phase current of inverter can be monitored separately due to the divided negative dc terminals.

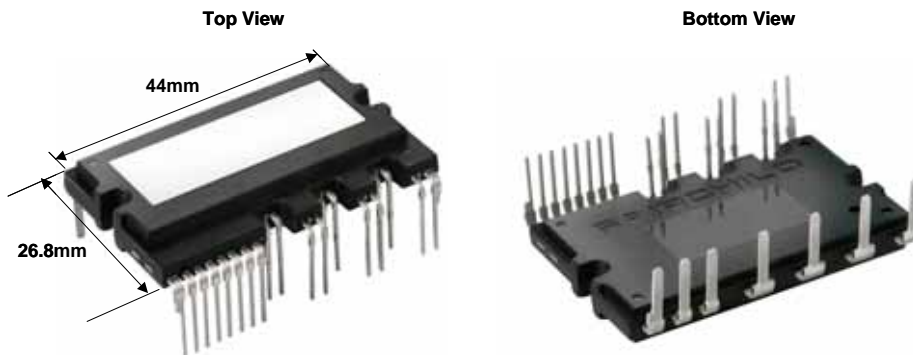


Figure 1.

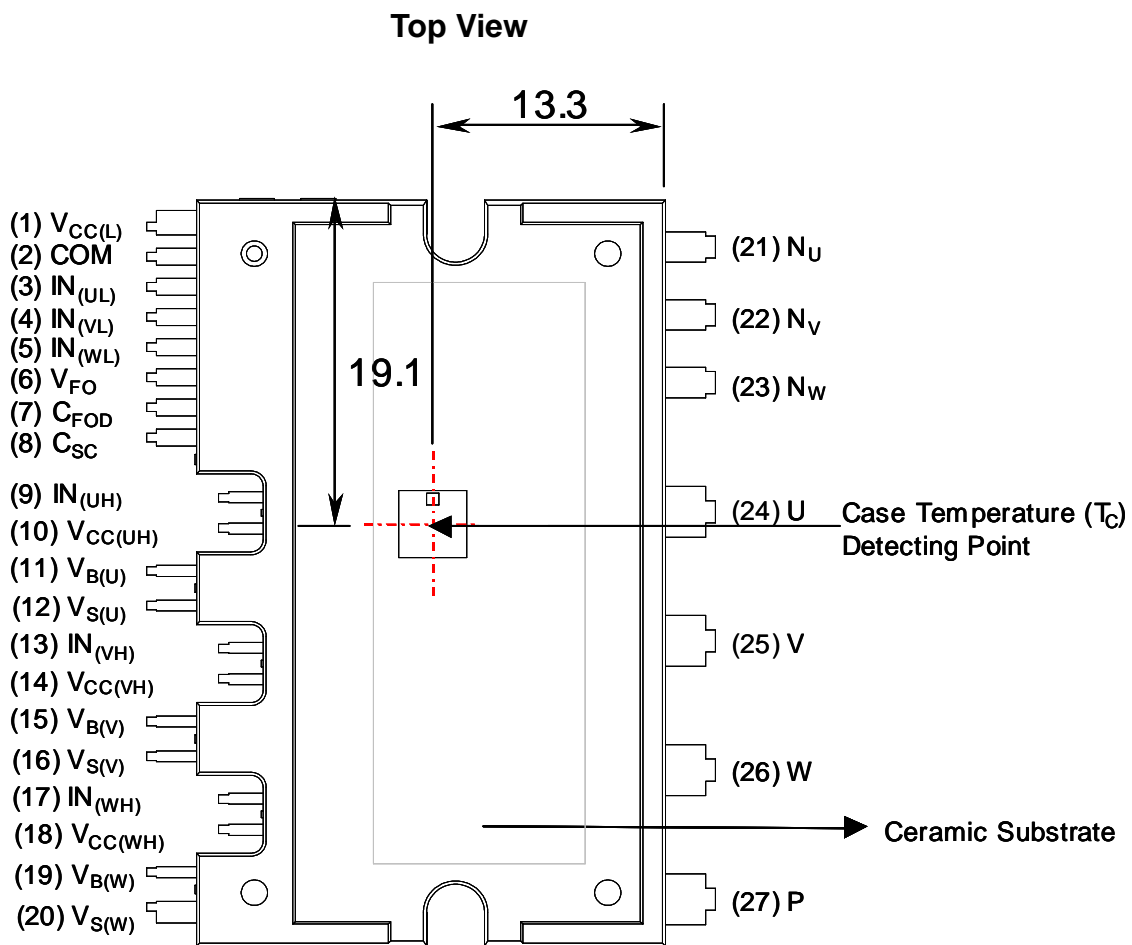
### Integrated Power Functions

- 500V-5A MOSFET inverter for three-phase DC/AC power conversion (Please refer to Fig. 3)

### Integrated Drive, Protection and System Control Functions

- For inverter high-side MOSFETs: Gate drive circuit, High voltage isolated high-speed level shifting  
Control circuit under-voltage (UV) protection  
Note) Available bootstrap circuit example is given in Figs. 10 and 11.
- For inverter low-side MOSFETs: Gate drive circuit, Short circuit protection (SC)  
Control supply circuit under-voltage (UV) protection
- Fault signaling: Corresponding to a UV fault (Low-side supply), SC fault
- Input interface: 3.3/5V CMOS/LSTTL compatible, Schmitt trigger input

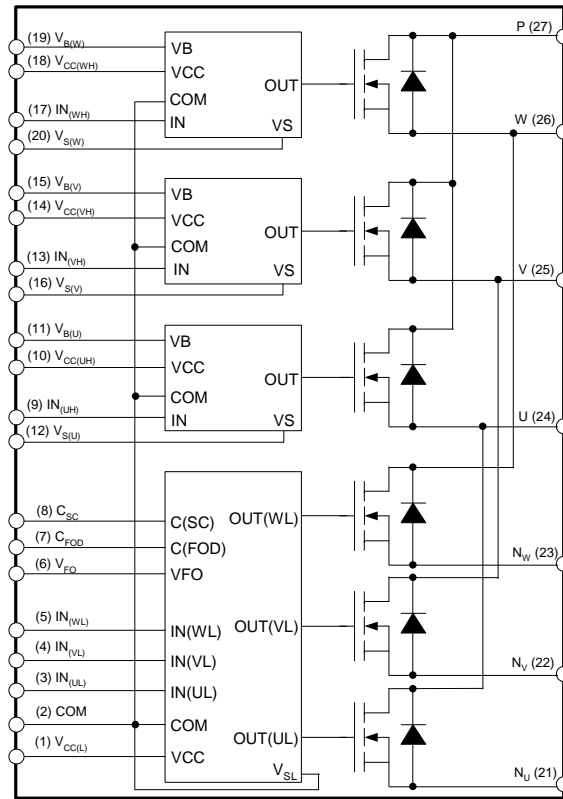
### Pin Configuration



## Pin Descriptions

Pin Number	Pin Name	Pin Description
1	$V_{CC(L)}$	Low-side Common Bias Voltage for IC and MOSFETs Driving
2	COM	Common Supply Ground
3	$IN_{(UL)}$	Signal Input for Low-side U Phase
4	$IN_{(VL)}$	Signal Input for Low-side V Phase
5	$IN_{(WL)}$	Signal Input for Low-side W Phase
6	$V_{FO}$	Fault Output
7	$C_{FOD}$	Capacitor for Fault Output Duration Time Selection
8	$C_{SC}$	Capacitor (Low-pass Filter) for Short-Current Detection Input
9	$IN_{(UH)}$	Signal Input for High-side U Phase
10	$V_{CC(UH)}$	High-side Bias Voltage for U Phase IC
11	$V_{B(U)}$	High-side Bias Voltage for U Phase MOSFET Driving
12	$V_{S(U)}$	High-side Bias Voltage Ground for U Phase MOSFET Driving
13	$IN_{(VH)}$	Signal Input for High-side V Phase
14	$V_{CC(VH)}$	High-side Bias Voltage for V Phase IC
15	$V_{B(V)}$	High-side Bias Voltage for V Phase MOSFET Driving
16	$V_{S(V)}$	High-side Bias Voltage Ground for V Phase MOSFET Driving
17	$IN_{(WH)}$	Signal Input for High-side W Phase
18	$V_{CC(WH)}$	High-side Bias Voltage for W Phase IC
19	$V_{B(W)}$	High-side Bias Voltage for W Phase MOSFET Driving
20	$V_{S(W)}$	High-side Bias Voltage Ground for W Phase MOSFET Driving
21	$N_U$	Negative DC-Link Input for U Phase
22	$N_V$	Negative DC-Link Input for V Phase
23	$N_W$	Negative DC-Link Input for W Phase
24	U	Output for U Phase
25	V	Output for V Phase
26	W	Output for W Phase
27	P	Positive DC-Link Input

### Internal Equivalent Circuit and Input/Output Pins



**Note:**

1. Inverter low-side is composed of three MOSFETs, and one control IC. It has gate driving and protection functions.
2. Inverter power side is composed of four inverter dc-link input terminals and three inverter output terminals.
3. Inverter high-side is composed of three MOSFETs and three drive ICs for each MOSFET.

**Figure 3.**

## Absolute Maximum Ratings ( $T_J = 25^\circ\text{C}$ , Unless Otherwise Specified)

### Inverter Part

Symbol	Parameter	Conditions	Rating	Units
$V_{PN}$	Supply Voltage	Applied between P- $N_U$ , $N_V$ , $N_W$	400	V
$V_{PN(\text{Surge})}$	Supply Voltage (Surge)	Applied between P- $N_U$ , $N_V$ , $N_W$	450	V
$V_{DSS}$	Drain-Source Voltage		500	V
$\pm I_D$	Each MOSFET Drain Current	$T_C = 25^\circ\text{C}$ , Peak Sinusoidal Current	5	A
$\pm I_{DP}$	Each MOSFET Drain Current (Peak)	$T_C = 25^\circ\text{C}$ , Under 1ms Pulse Width	7	A
$P_C$	Collector Dissipation	$T_C = 25^\circ\text{C}$ per One Chip	25	W
$T_J$	Operating Junction Temperature	(Note 1)	-20 ~ 125	$^\circ\text{C}$

**Note:**

1. The maximum junction temperature rating of the power chips integrated within the SPM is  $150^\circ\text{C}$  ( $@T_C \leq 100^\circ\text{C}$ ). However, to insure safe operation of the SPM, the average junction temperature should be limited to  $T_{J(\text{ave})} \leq 125^\circ\text{C}$  ( $@T_C \leq 100^\circ\text{C}$ )

### Control Part

Symbol	Parameter	Conditions	Rating	Units
$V_{CC}$	Control Supply Voltage	Applied between $V_{CC(UH)}$ , $V_{CC(VH)}$ , $V_{CC(WH)}$ , $V_{CC(L)}$ - COM	20	V
$V_{BS}$	High-side Control Bias Voltage	Applied between $V_{B(U)}$ - $V_{S(U)}$ , $V_{B(V)}$ - $V_{S(V)}$ , $V_{B(W)}$ - $V_{S(W)}$	20	V
$V_{IN}$	Input Signal Voltage	Applied between $IN_{(UH)}$ , $IN_{(VH)}$ , $IN_{(WH)}$ , $IN_{(UL)}$ , $IN_{(VL)}$ , $IN_{(WL)}$ - COM	-0.3~17	V
$V_{FO}$	Fault Output Supply Voltage	Applied between $V_{FO}$ - COM	-0.3~ $V_{CC}+0.3$	V
$I_{FO}$	Fault Output Current	Sink Current at $V_{FO}$ Pin	5	mA
$V_{SC}$	Current Sensing Input Voltage	Applied between $C_{SC}$ - COM	-0.3~ $V_{CC}+0.3$	V

### Total System

Symbol	Parameter	Conditions	Rating	Units
$T_{SC}$	Short Circuit Withstanding Time	$V_{CC} = V_{BS} = 13.5 \sim 16.5\text{V}$ , $T_J = 125^\circ\text{C}$ , Non-repetitive, $V_{PN}=400\text{V}$ , $R_{Shunt}=0\text{m}$	10	$\mu\text{s}$
$T_C$	Module Case Operation Temperature	$-20^\circ\text{C} \leq T_J \leq 125^\circ\text{C}$ , See Figure 2	-20 ~ 100	$^\circ\text{C}$
$T_{STG}$	Storage Temperature		-40 ~ 125	$^\circ\text{C}$
$V_{ISO}$	Isolation Voltage	60Hz, Sinusoidal, AC 1 minute, Connection Pins to ceramic substrate	2500	$V_{rms}$

### Thermal Resistance

Symbol	Parameter	Conditions	Min.	Typ.	Max.	Units
$R_{th(j-c)}$	Junction to Case Thermal Resistance	Inverter MOSFET part (per 1/6 module)	-	-	4	$^\circ\text{C/W}$

**Note:**

2. For the measurement point of case temperature( $T_C$ ), please refer to Figure 2.

### Package Marking and Ordering Information

Device Marking	Device	Package	Reel Size	Tape Width	Quantity
FCBS0550	FCBS0550	SPM27BA	-	-	10

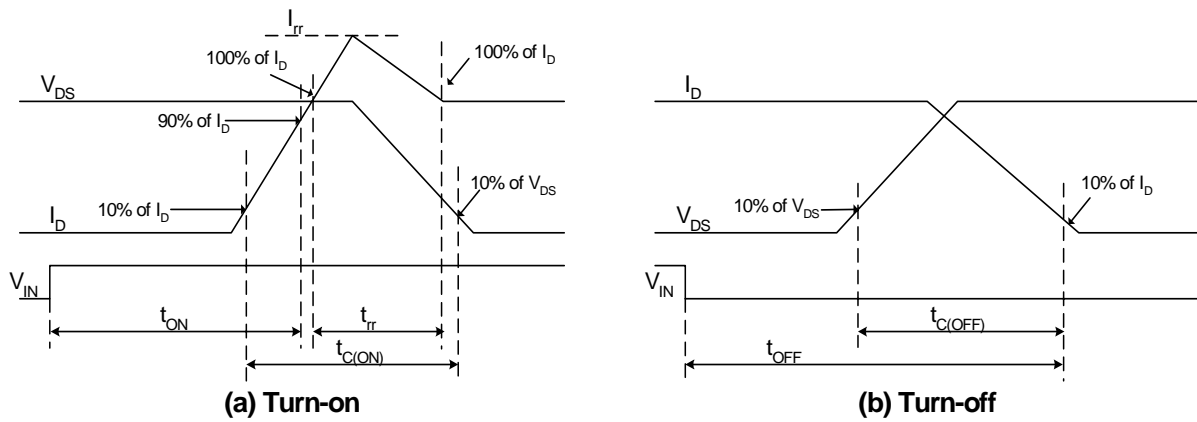
### Electrical Characteristics (T<sub>J</sub> = 25°C, Unless Otherwise Specified)

#### Inverter Part

Symbol	Parameter	Conditions	Min.	Typ.	Max.	Units
R <sub>DS(ON)</sub>	Static Drain-Source On Resistance	V <sub>CC</sub> = V <sub>BS</sub> = 15V V <sub>IN</sub> = 5V I <sub>D</sub> = 2.5A, T <sub>J</sub> = 25°C	-	1.35	1.75	
V <sub>SD</sub>	Drain-Source Diode Forward Voltage	V <sub>CC</sub> = V <sub>BS</sub> = 15V V <sub>IN</sub> = 0V I <sub>D</sub> = 2.5A, T <sub>J</sub> = 25°C	-	-	1.20	V
HS	t <sub>ON</sub>	V <sub>PN</sub> = 300V, V <sub>CC</sub> = V <sub>BS</sub> = 15V I <sub>D</sub> = 2.5A V <sub>IN</sub> = 0V ↔ 5V, Inductive Load (Note 3)	-	0.51	-	μs
	t <sub>C(ON)</sub>		-	0.16	-	μs
	t <sub>OFF</sub>		-	0.72	-	μs
	t <sub>C(OFF)</sub>		-	0.10	-	μs
	t <sub>rr</sub>		-	0.16	-	μs
LS	t <sub>ON</sub>	V <sub>PN</sub> = 300V, V <sub>CC</sub> = V <sub>BS</sub> = 15V I <sub>D</sub> = 2.5A V <sub>IN</sub> = 0V ↔ 5V, Inductive Load (Note 3)	-	0.52	-	μs
	t <sub>C(ON)</sub>		-	0.18	-	μs
	t <sub>OFF</sub>		-	0.74	-	μs
	t <sub>C(OFF)</sub>		-	0.10	-	μs
	t <sub>rr</sub>		-	0.16	-	μs
I <sub>DSS</sub>	Drain - Source Leakage Current	V <sub>DS</sub> = V <sub>DSS</sub>	-	-	250	μA

**Note:**

3. t<sub>ON</sub> and t<sub>OFF</sub> include the propagation delay time of the internal drive IC. t<sub>C(ON)</sub> and t<sub>C(OFF)</sub> are the switching time of IGBT itself under the given gate driving condition internally. For the detailed information, please see Figure 4.



**Figure 4. Switching Time Definition**

## Electrical Characteristics (T<sub>J</sub> = 25°C, Unless Otherwise Specified)

### Control Part

Symbol	Parameter	Conditions	Min.	Typ.	Max.	Units	
I <sub>QCCL</sub>	Quiescent V <sub>CC</sub> Supply Current	V <sub>CC</sub> = 15V I <sub>N(U<sub>L</sub>, V<sub>L</sub>, W<sub>L</sub>)</sub> = 0V	V <sub>CC(L)</sub> - COM	-	-	23	mA
I <sub>QCCH</sub>		V <sub>CC</sub> = 15V I <sub>N(U<sub>H</sub>, V<sub>H</sub>, W<sub>H</sub>)</sub> = 0V	V <sub>CC(U<sub>H</sub>)</sub> , V <sub>CC(V<sub>H</sub>)</sub> , V <sub>CC(W<sub>H</sub>)</sub> - COM	-	-	100	μA
I <sub>QBS</sub>	Quiescent V <sub>BS</sub> Supply Current	V <sub>BS</sub> = 15V I <sub>N(U<sub>H</sub>, V<sub>H</sub>, W<sub>H</sub>)</sub> = 0V	V <sub>B(U)</sub> - V <sub>S(U)</sub> , V <sub>B(V)</sub> - V <sub>S(V)</sub> , V <sub>B(W)</sub> - V <sub>S(W)</sub>	-	-	500	μA
V <sub>FOH</sub>	Fault Output Voltage	V <sub>SC</sub> = 0V, V <sub>FO</sub> Circuit: 4.7kΩ to 5V Pull-up	4.5	-	-	V	
V <sub>FOL</sub>		V <sub>SC</sub> = 1V, V <sub>FO</sub> Circuit: 4.7kΩ to 5V Pull-up	-	-	0.8	V	
V <sub>SC(ref)</sub>	Short Circuit Trip Level	V <sub>CC</sub> = 15V (Note 4)	0.45	0.5	0.55	V	
UV <sub>CCD</sub>	Supply Circuit Under-Voltage Protection	Detection Level	10.7	11.9	13.0	V	
UV <sub>CCR</sub>		Reset Level	11.2	12.4	13.2	V	
UV <sub>BSD</sub>		Detection Level	10.1	11.3	12.5	V	
UV <sub>BSR</sub>		Reset Level	10.5	11.7	12.9	V	
t <sub>FOD</sub>	Fault-out Pulse Width	C <sub>FOD</sub> = 33nF (Note 5)	1.0	1.8	-	ms	
V <sub>IN(ON)</sub>	ON Threshold Voltage	Applied between I <sub>N(U<sub>H</sub>)</sub> , I <sub>N(V<sub>H</sub>)</sub> , I <sub>N(W<sub>H</sub>)</sub> , I <sub>N(U<sub>L</sub>)</sub> , I <sub>N(V<sub>L</sub>)</sub> , I <sub>N(W<sub>L</sub>)</sub> - COM	2.9	-	-	V	
V <sub>IN(OFF)</sub>	OFF Threshold Voltage		-	-	0.8	V	

**Note:**

4. Short-circuit current protection is functioning only at the low-sides.

5. The fault-out pulse width t<sub>FOD</sub> depends on the capacitance value of C<sub>FOD</sub> according to the following approximate equation : C<sub>FOD</sub> = 18.3 x 10<sup>-6</sup> x t<sub>FOD</sub>[F]

### Recommended Operating Conditions

Symbol	Parameter	Conditions	Value			Units
			Min.	Typ.	Max.	
V <sub>PN</sub>	Supply Voltage	Applied between P - N <sub>U</sub> , N <sub>V</sub> , N <sub>W</sub>	-	300	400	V
V <sub>CC</sub>	Control Supply Voltage	Applied between V <sub>CC(U<sub>H</sub>)</sub> , V <sub>CC(V<sub>H</sub>)</sub> , V <sub>CC(W<sub>H</sub>)</sub> , V <sub>CC(L)</sub> - COM	13.5	15	16.5	V
V <sub>BS</sub>	High-side Bias Voltage	Applied between V <sub>B(U)</sub> - V <sub>S(U)</sub> , V <sub>B(V)</sub> - V <sub>S(V)</sub> , V <sub>B(W)</sub> - V <sub>S(W)</sub>	13.0	15	18.5	V
dV <sub>CC</sub> /dt, dV <sub>BS</sub> /dt	Control supply variation		-1	-	1	V/μs
t <sub>dead</sub>	Blanking Time for Preventing Arm-short	For Each Input Signal	2	-	-	μs
f <sub>PWM</sub>	PWM Input Signal	-20°C ≤ T <sub>C</sub> ≤ 100°C, -20°C ≤ T <sub>J</sub> ≤ 125°C	-	-	20	kHz
V <sub>SEN</sub>	Voltage for Current Sensing	Applied between N <sub>U</sub> , N <sub>V</sub> , N <sub>W</sub> - COM (Including surge voltage)	-4		4	V



### Mechanical Characteristics and Ratings

Parameter	Conditions		Limits			Units
			Min.	Typ.	Max.	
Mounting Torque	Mounting Screw: - M3	Recommended 0.62N•m	0.51	0.62	0.72	N•m
Device Flatness		Note Fig. 5	0	-	+120	μm
Weight			-	15.4	-	g

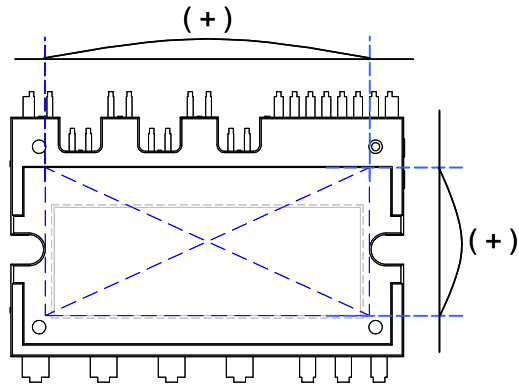
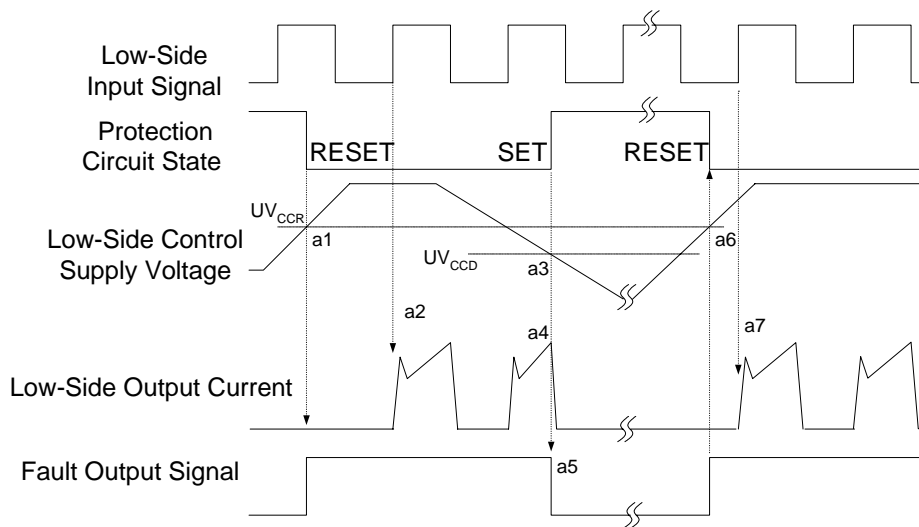


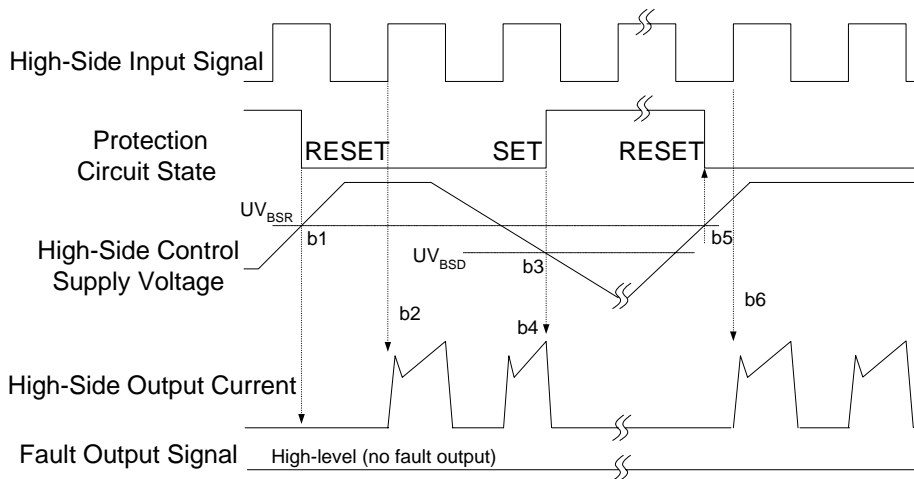
Figure 5. Flatness Measurement Position

### Time Charts of SPMs Protective Function



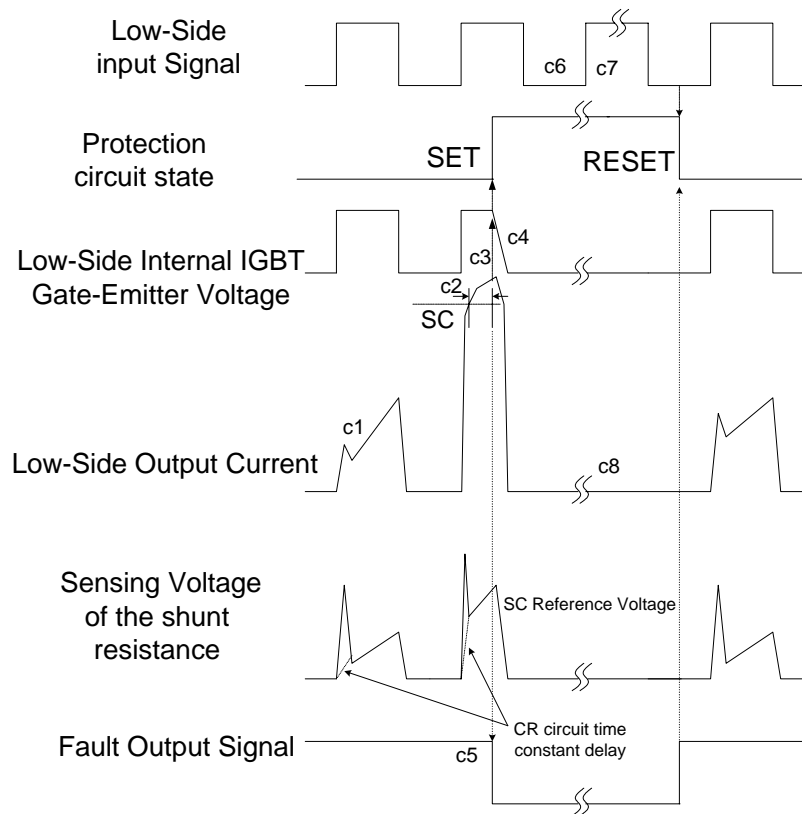
- a1 : Control supply voltage rises: After the voltage rises  $UV_{CCR}$ , the circuits start to operate when next input is applied.
- a2 : Normal operation: MOSFET ON and carrying current.
- a3 : Under voltage detection ( $UV_{CCD}$ ).
- a4 : MOSFET OFF in spite of control input condition.
- a5 : Fault output operation starts.
- a6 : Under voltage reset ( $UV_{CCR}$ ).
- a7 : Normal operation: MOSFET ON and carrying current.

**Figure 6. Under-Voltage Protection (Low-side)**



- b1 : Control supply voltage rises: After the voltage reaches  $UV_{BSR}$ , the circuits start to operate when next input is applied.
- b2 : Normal operation: MOSFET ON and carrying current.
- b3 : Under voltage detection ( $UV_{BSD}$ ).
- b4 : MOSFET OFF in spite of control input condition, but there is no fault output signal.
- b5 : Under voltage reset ( $UV_{BSR}$ )
- b6 : Normal operation: MOSFET ON and carrying current

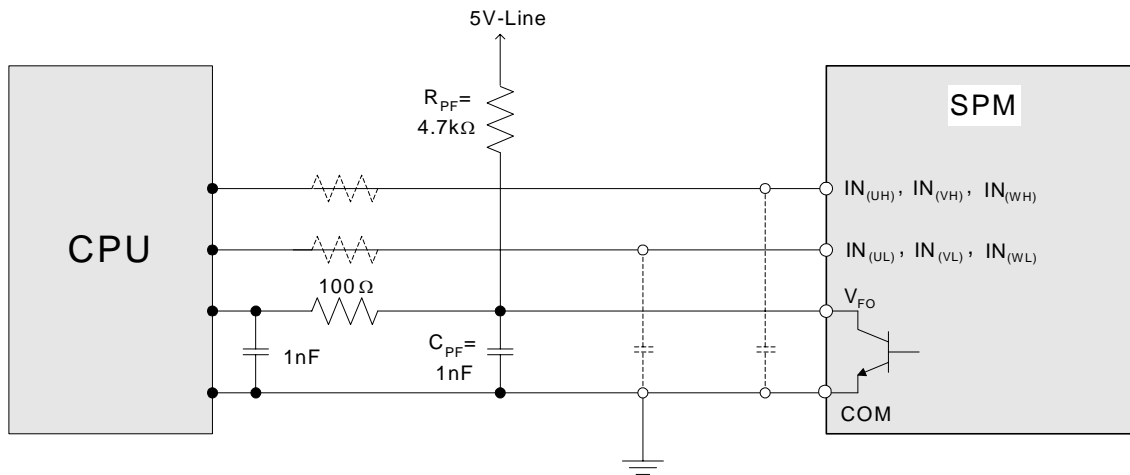
**Figure 7. Under-Voltage Protection (High-side)**



(with the external shunt resistance and CR connection)

- c1 : Normal operation: MOSFET ON and carrying current.
- c2 : Short circuit current detection (SC trigger).
- c3 : Hard MOSFET gate interrupt.
- c4 : MOSFET turns OFF.
- c5 : Fault output timer operation starts: The pulse width of the fault output signal is set by the external capacitor  $C_{FO}$ .
- c6 : Input "L" : MOSFET OFF state.
- c7 : Input "H": MOSFET ON state, but during the active period of fault output the MOSFET doesn't turn ON.
- c8 : MOSFET OFF state

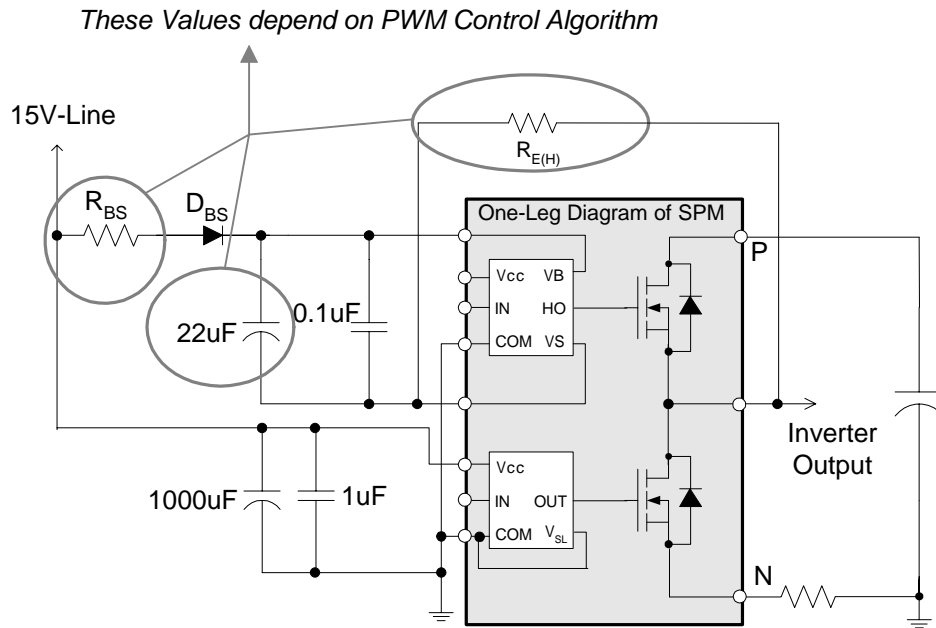
**Figure 8. Short-Circuit Current Protection (Low-side Operation only)**



**Note:**

1. RC coupling at each input (parts shown dotted) might change depending on the PWM control scheme used in the application and the wiring impedance of the application's printed circuit board. The SPM input signal section integrates 3.3kΩ (typ.) pull-down resistor. Therefore, when using an external filtering resistor, please pay attention to the signal voltage drop at input terminal.
2. The logic input is compatible with standard CMOS or LSTTL outputs.

**Figure 9. Recommended CPU I/O Interface Circuit**



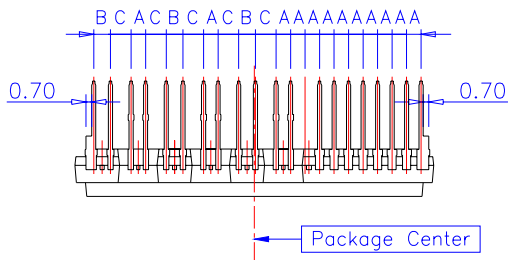
**Note:**

1. It would be recommended that the bootstrap diode,  $D_{BS}$ , has soft and fast recovery characteristics.
2. The bootstrap resistor ( $R_{BS}$ ) should be 3 times greater than  $R_{E(H)}$ . The recommended value of  $R_{E(H)}$  is 5.6Ω, but it can be increased up to 20Ω (maximum) for a slower dv/dt of high-side.
3. The ceramic capacitor placed between  $V_{CC}$ -COM should be over 1uF and mounted as close to the pins of the SPM as possible.

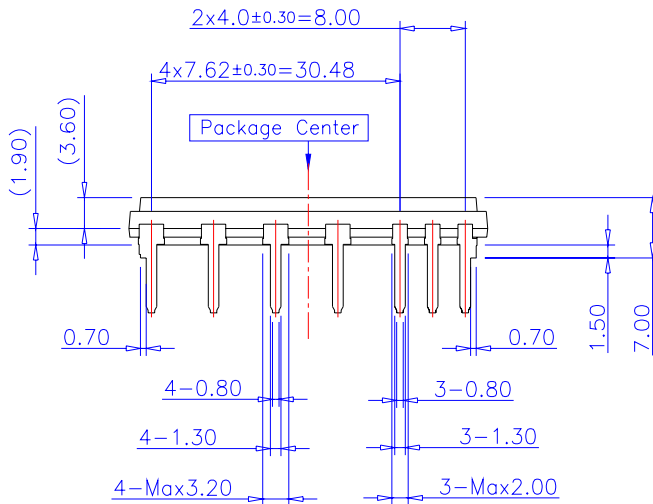
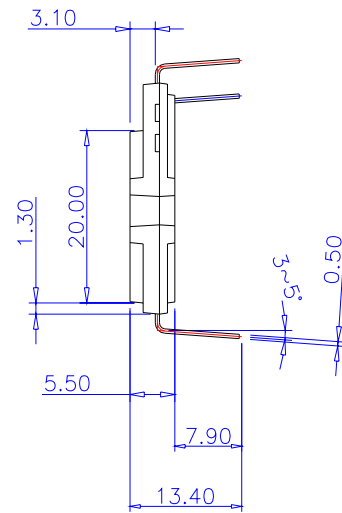
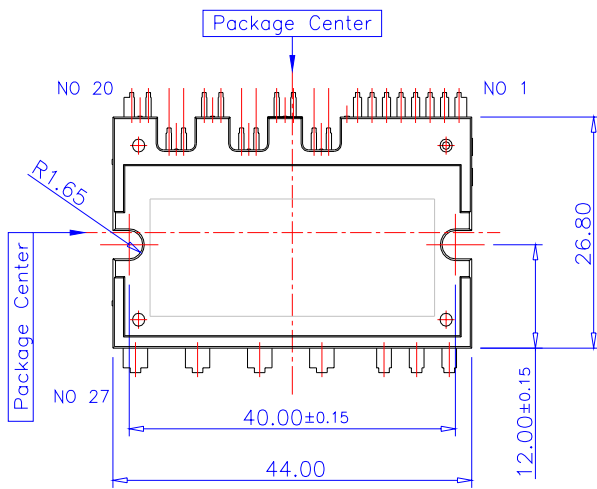
**Fig. 10. Recommended Bootstrap Operation Circuit and Parameters**



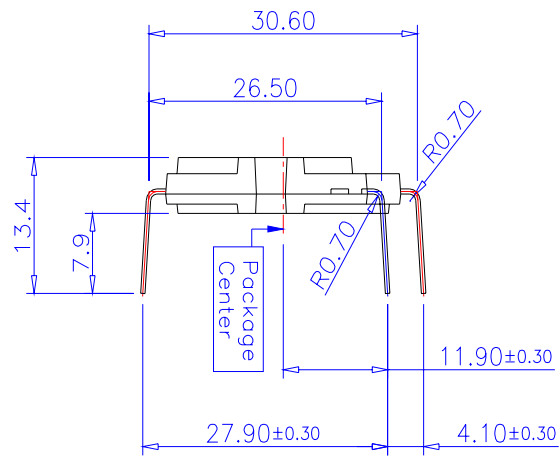
Detailed Package Outline Drawings



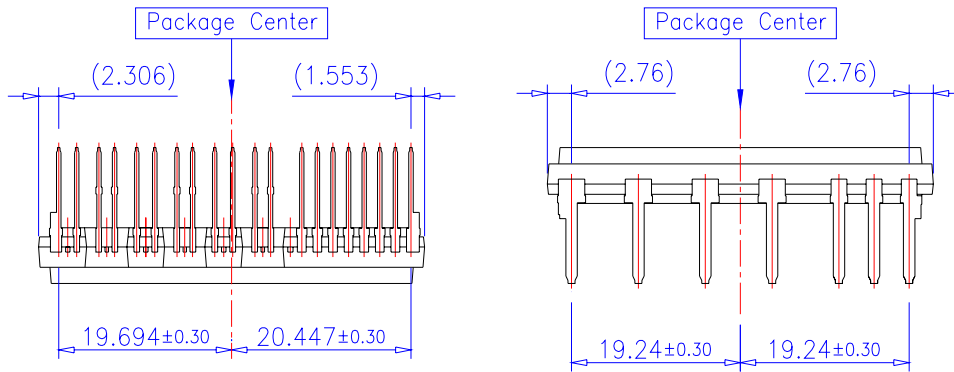
Lead Pitch :  $\pm 0.30$   
 A : 1.778  
 B : 2.050  
 C : 2.531



Detailed Package Outline Drawings (Continued)

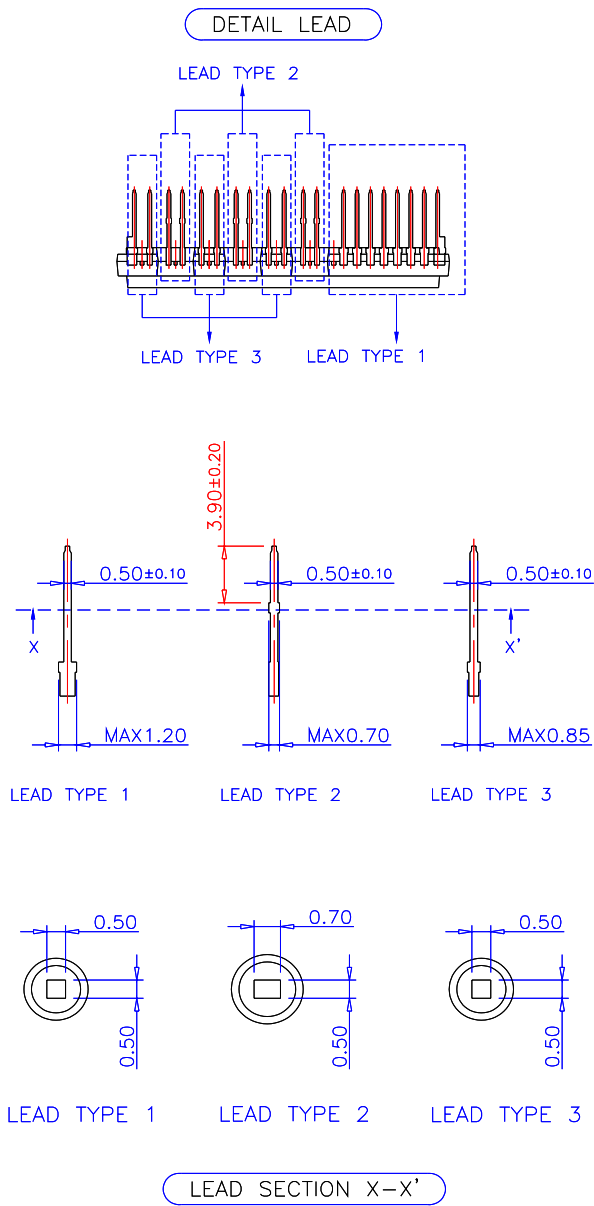


Lead Forming Dimension



PKG Center to Lead Distance

Detailed Package Outline Drawings (Continued)





**TRADEMARKS**

The following are registered and unregistered trademarks Fairchild Semiconductor owns or is authorized to use and is not intended to be an exhaustive list of all such trademarks.

ACEx™	FAST®	IntelliMAX™	POP™	SPM™
ActiveArray™	FASTr™	ISOPLANAR™	Power247™	Stealth™
Bottomless™	FPS™	LittleFET™	PowerEdge™	SuperFET™
CoolFET™	FRFET™	MICROCOUPLER™	PowerSaver™	SuperSOT™-3
CROSSVOLT™	GlobalOptoisolator™	MicroFET™	PowerTrench®	SuperSOT™-6
DOME™	GTO™	MicroPak™	QFET®	SuperSOT™-8
EcoSPARK™	HiSeC™	MICROWIRE™	QS™	SyncFET™
E <sup>2</sup> C MOS™	I <sup>2</sup> C™	MSX™	QT Optoelectronics™	TinyLogic®
EnSigna™	i-Lo™	MSXPro™	Quiet Series™	TINYOPTO™
FACT™	ImpliedDisconnect™	OCX™	RapidConfigure™	TruTranslation™
FACT Quiet Series™		OCXPro™	RapidConnect™	UHC™
Across the board. Around the world.™		OPTOLOGIC®	μSerDes™	UltraFET®
The Power Franchise®		OPTOPLANAR™	SILENT SWITCHER®	UniFET™
Programmable Active Droop™		PACMAN™	SMART START™	VCX™

**DISCLAIMER**

FAIRCHILD SEMICONDUCTOR RESERVES THE RIGHT TO MAKE CHANGES WITHOUT FURTHER NOTICE TO ANY PRODUCTS HEREIN TO IMPROVE RELIABILITY, FUNCTION OR DESIGN. FAIRCHILD DOES NOT ASSUME ANY LIABILITY ARISING OUT OF THE APPLICATION OR USE OF ANY PRODUCT OR CIRCUIT DESCRIBED HEREIN; NEITHER DOES IT CONVEY ANY LICENSE UNDER ITS PATENT RIGHTS, NOR THE RIGHTS OF OTHERS.

**LIFE SUPPORT POLICY**

FAIRCHILD'S PRODUCTS ARE NOT AUTHORIZED FOR USE AS CRITICAL COMPONENTS IN LIFE SUPPORT DEVICES OR SYSTEMS WITHOUT THE EXPRESS WRITTEN APPROVAL OF FAIRCHILD SEMICONDUCTOR CORPORATION.

As used herein:

1. Life support devices or systems are devices or systems which, (a) are intended for surgical implant into the body, or (b) support or sustain life, or (c) whose failure to perform when properly used in accordance with instructions for use provided in the labeling, can be reasonably expected to result in significant injury to the user.
2. A critical component is any component of a life support device or system whose failure to perform can be reasonably expected to cause the failure of the life support device or system, or to affect its safety or effectiveness.

**PRODUCT STATUS DEFINITIONS**

**Definition of Terms**

Datasheet Identification	Product Status	Definition
Advance Information	Formative or In Design	This datasheet contains the design specifications for product development. Specifications may change in any manner without notice.
Preliminary	First Production	This datasheet contains preliminary data, and supplementary data will be published at a later date. Fairchild Semiconductor reserves the right to make changes at any time without notice in order to improve design.
No Identification Needed	Full Production	This datasheet contains final specifications. Fairchild Semiconductor reserves the right to make changes at any time without notice in order to improve design.
Obsolete	Not In Production	This datasheet contains specifications on a product that has been discontinued by Fairchild semiconductor. The datasheet is printed for reference information only.

Rev. I15

ON Semiconductor and  are trademarks of Semiconductor Components Industries, LLC dba ON Semiconductor or its subsidiaries in the United States and/or other countries. ON Semiconductor owns the rights to a number of patents, trademarks, copyrights, trade secrets, and other intellectual property. A listing of ON Semiconductor's product/patent coverage may be accessed at [www.onsemi.com/site/pdf/Patent-Marking.pdf](http://www.onsemi.com/site/pdf/Patent-Marking.pdf). ON Semiconductor reserves the right to make changes without further notice to any products herein. ON Semiconductor makes no warranty, representation or guarantee regarding the suitability of its products for any particular purpose, nor does ON Semiconductor assume any liability arising out of the application or use of any product or circuit, and specifically disclaims any and all liability, including without limitation special, consequential or incidental damages. Buyer is responsible for its products and applications using ON Semiconductor products, including compliance with all laws, regulations and safety requirements or standards, regardless of any support or applications information provided by ON Semiconductor. "Typical" parameters which may be provided in ON Semiconductor data sheets and/or specifications can and do vary in different applications and actual performance may vary over time. All operating parameters, including "Typicals" must be validated for each customer application by customer's technical experts. ON Semiconductor does not convey any license under its patent rights nor the rights of others. ON Semiconductor products are not designed, intended, or authorized for use as a critical component in life support systems or any FDA Class 3 medical devices or medical devices with a same or similar classification in a foreign jurisdiction or any devices intended for implantation in the human body. Should Buyer purchase or use ON Semiconductor products for any such unintended or unauthorized application, Buyer shall indemnify and hold ON Semiconductor and its officers, employees, subsidiaries, affiliates, and distributors harmless against all claims, costs, damages, and expenses, and reasonable attorney fees arising out of, directly or indirectly, any claim of personal injury or death associated with such unintended or unauthorized use, even if such claim alleges that ON Semiconductor was negligent regarding the design or manufacture of the part. ON Semiconductor is an Equal Opportunity/Affirmative Action Employer. This literature is subject to all applicable copyright laws and is not for resale in any manner.

## PUBLICATION ORDERING INFORMATION

### LITERATURE FULFILLMENT:

Literature Distribution Center for ON Semiconductor  
19521 E. 32nd Pkwy, Aurora, Colorado 80011 USA  
**Phone:** 303-675-2175 or 800-344-3860 Toll Free USA/Canada  
**Fax:** 303-675-2176 or 800-344-3867 Toll Free USA/Canada  
**Email:** [orderlit@onsemi.com](mailto:orderlit@onsemi.com)

**N. American Technical Support:** 800-282-9855 Toll Free  
USA/Canada  
**Europe, Middle East and Africa Technical Support:**  
Phone: 421 33 790 2910  
**Japan Customer Focus Center**  
Phone: 81-3-5817-1050

**ON Semiconductor Website:** [www.onsemi.com](http://www.onsemi.com)  
**Order Literature:** <http://www.onsemi.com/orderlit>  
For additional information, please contact your local  
Sales Representative

# Mouser Electronics

Authorized Distributor

Click to View Pricing, Inventory, Delivery & Lifecycle Information:

[ON Semiconductor:](#)

[FCBS0550](#)

Компания «Life Electronics» занимается поставками электронных компонентов импортного и отечественного производства от производителей и со складов крупных дистрибьюторов Европы, Америки и Азии.

С конца 2013 года компания активно расширяет линейку поставок компонентов по направлению коаксиальный кабель, кварцевые генераторы и конденсаторы (керамические, пленочные, электролитические), за счёт заключения дистрибьюторских договоров

Мы предлагаем:

- Конкурентоспособные цены и скидки постоянным клиентам.
- Специальные условия для постоянных клиентов.
- Подбор аналогов.
- Поставку компонентов в любых объемах, удовлетворяющих вашим потребностям.
- Приемлемые сроки поставки, возможна ускоренная поставка.
- Доставку товара в любую точку России и стран СНГ.
- Комплексную поставку.
- Работу по проектам и поставку образцов.
- Формирование склада под заказчика.
- Сертификаты соответствия на поставляемую продукцию (по желанию клиента).
- Тестирование поставляемой продукции.
- Поставку компонентов, требующих военную и космическую приемку.
- Входной контроль качества.
- Наличие сертификата ISO.

В составе нашей компании организован Конструкторский отдел, призванный помогать разработчикам, и инженерам.

Конструкторский отдел помогает осуществить:

- Регистрацию проекта у производителя компонентов.
- Техническую поддержку проекта.
- Защиту от снятия компонента с производства.
- Оценку стоимости проекта по компонентам.
- Изготовление тестовой платы монтаж и пусконаладочные работы.



Тел: +7 (812) 336 43 04 (многоканальный)  
Email: [org@lifeelectronics.ru](mailto:org@lifeelectronics.ru)