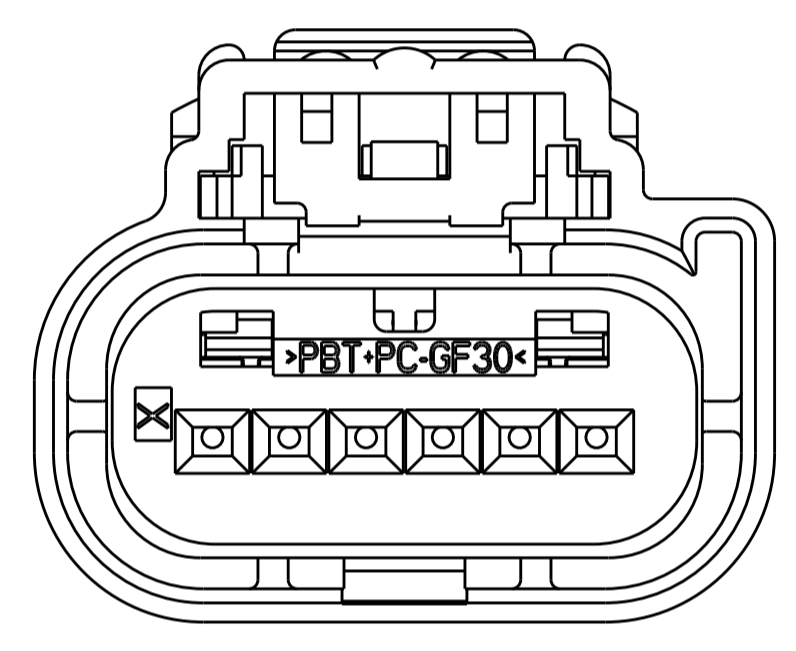
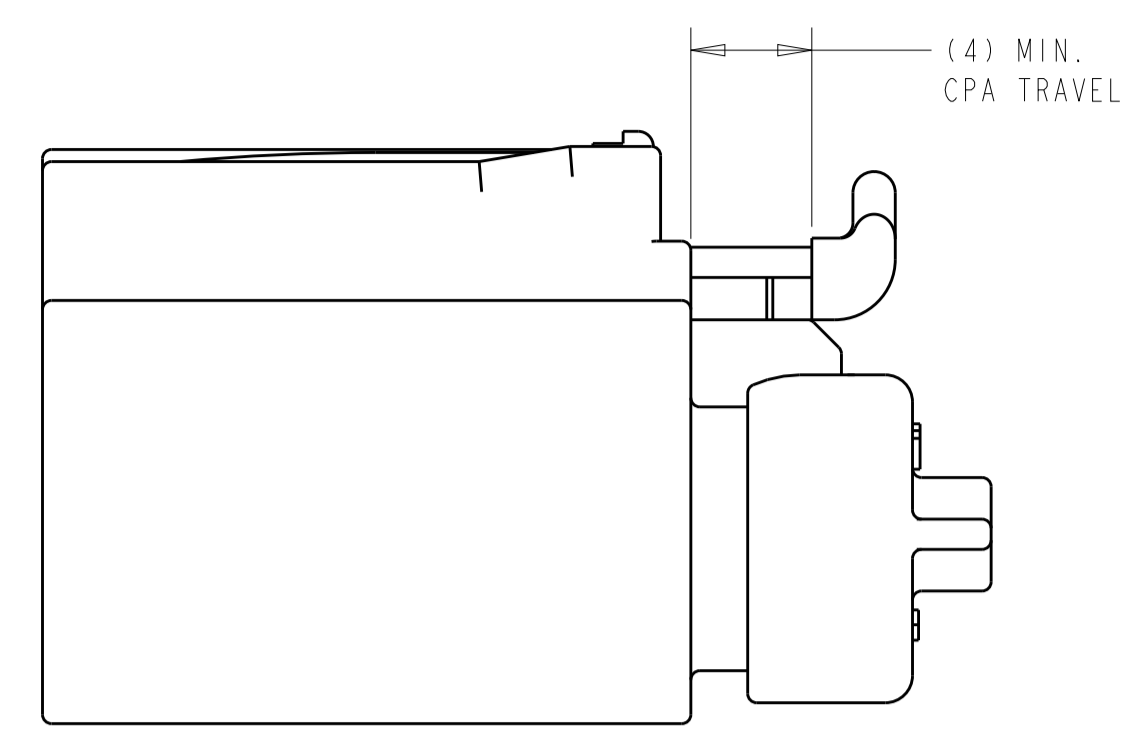
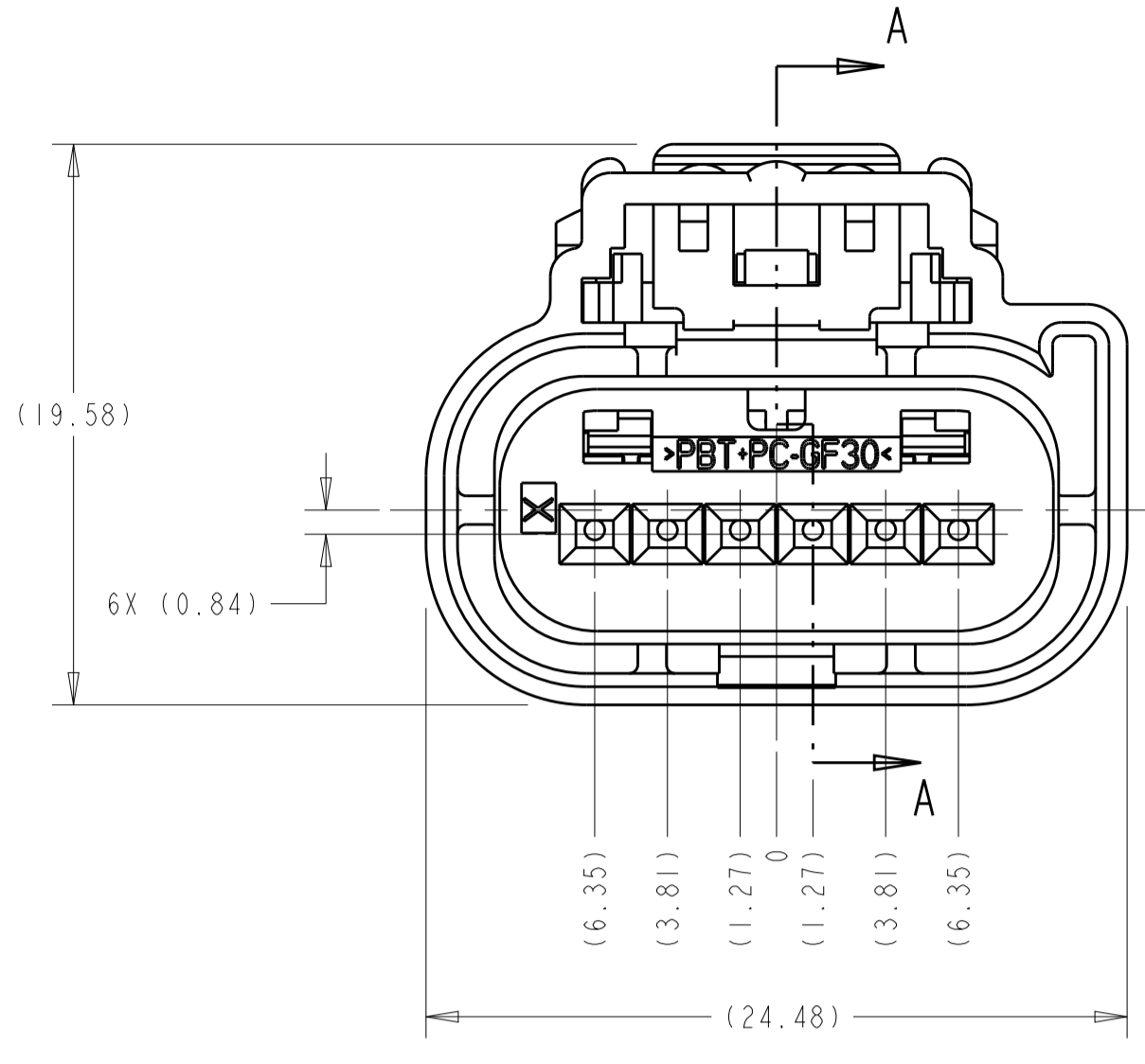
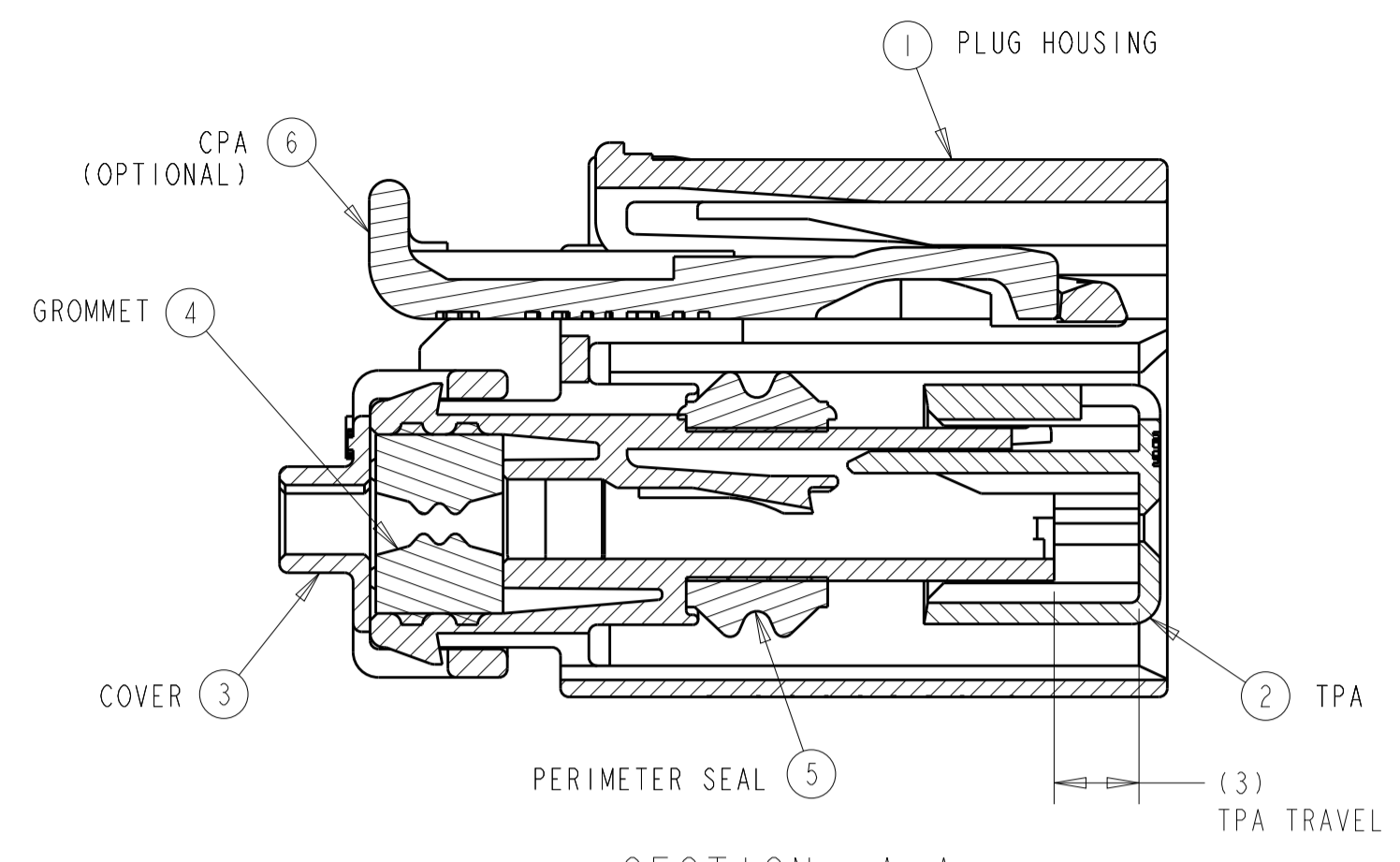
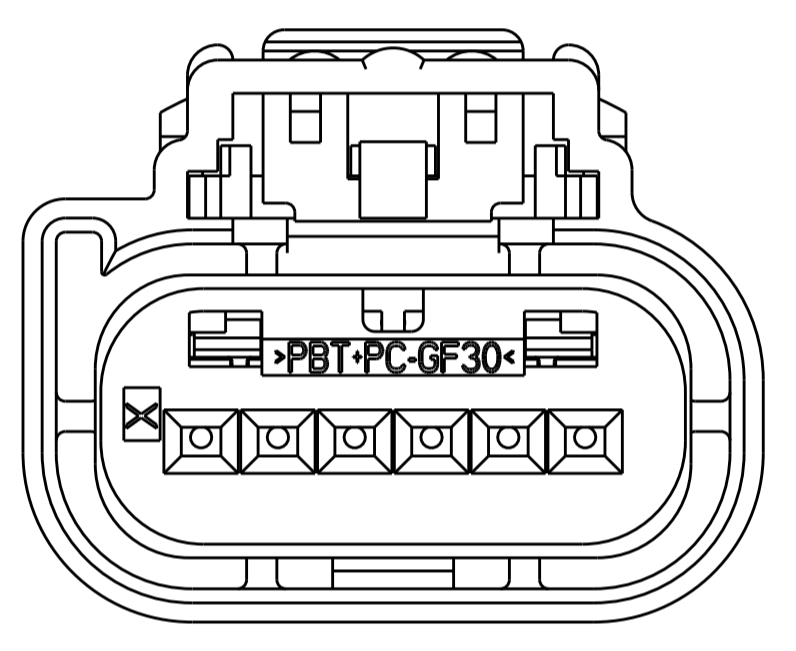


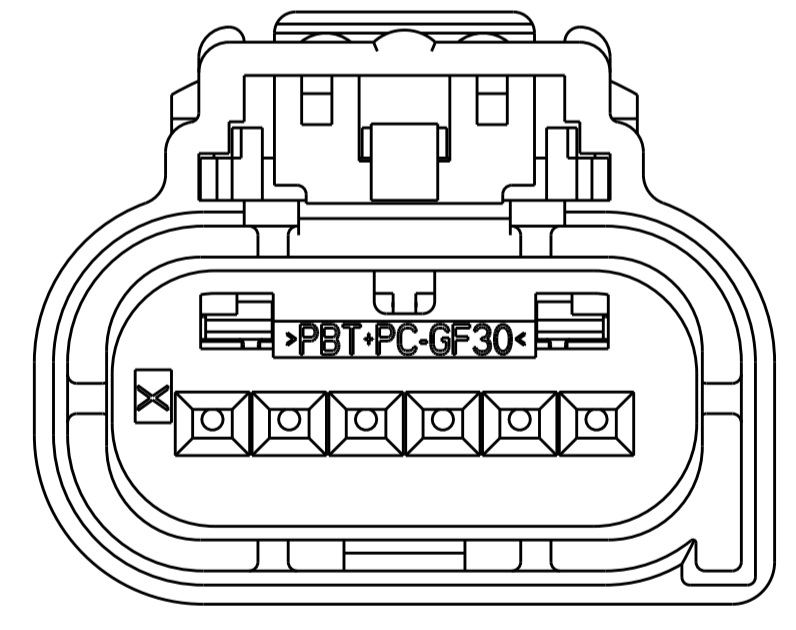
REVISIONS				
P.	LTM	DESCRIPTION	DATE	OWN APVD
V2		REVISED PER ECO-17-001035	25JAN2017	DLD DCM
V3		REVISED PER ECO-17-006269	04MAY2017	DLD DCM
V4		REVISED PER ECO-17-015846	02NOV2017	JMS CM



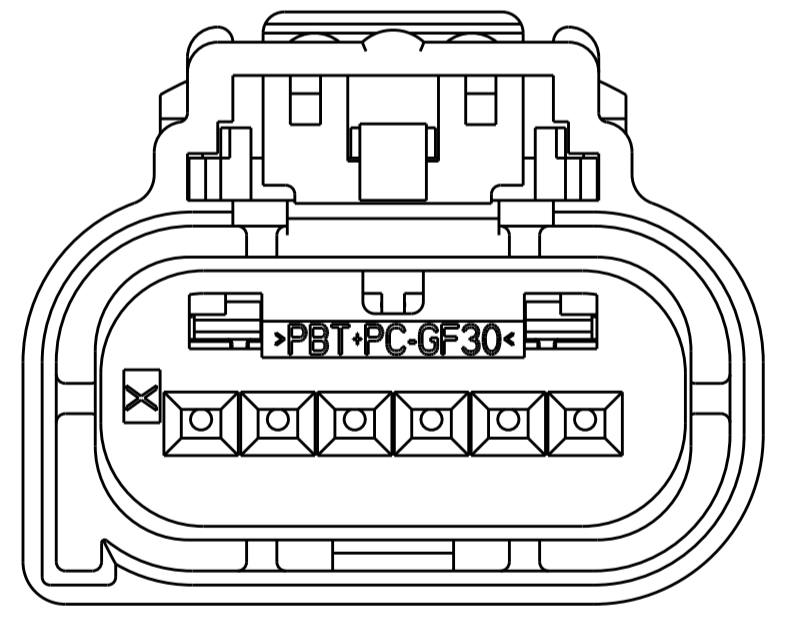
KEYING OPTION "A"



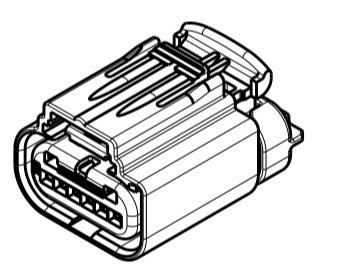
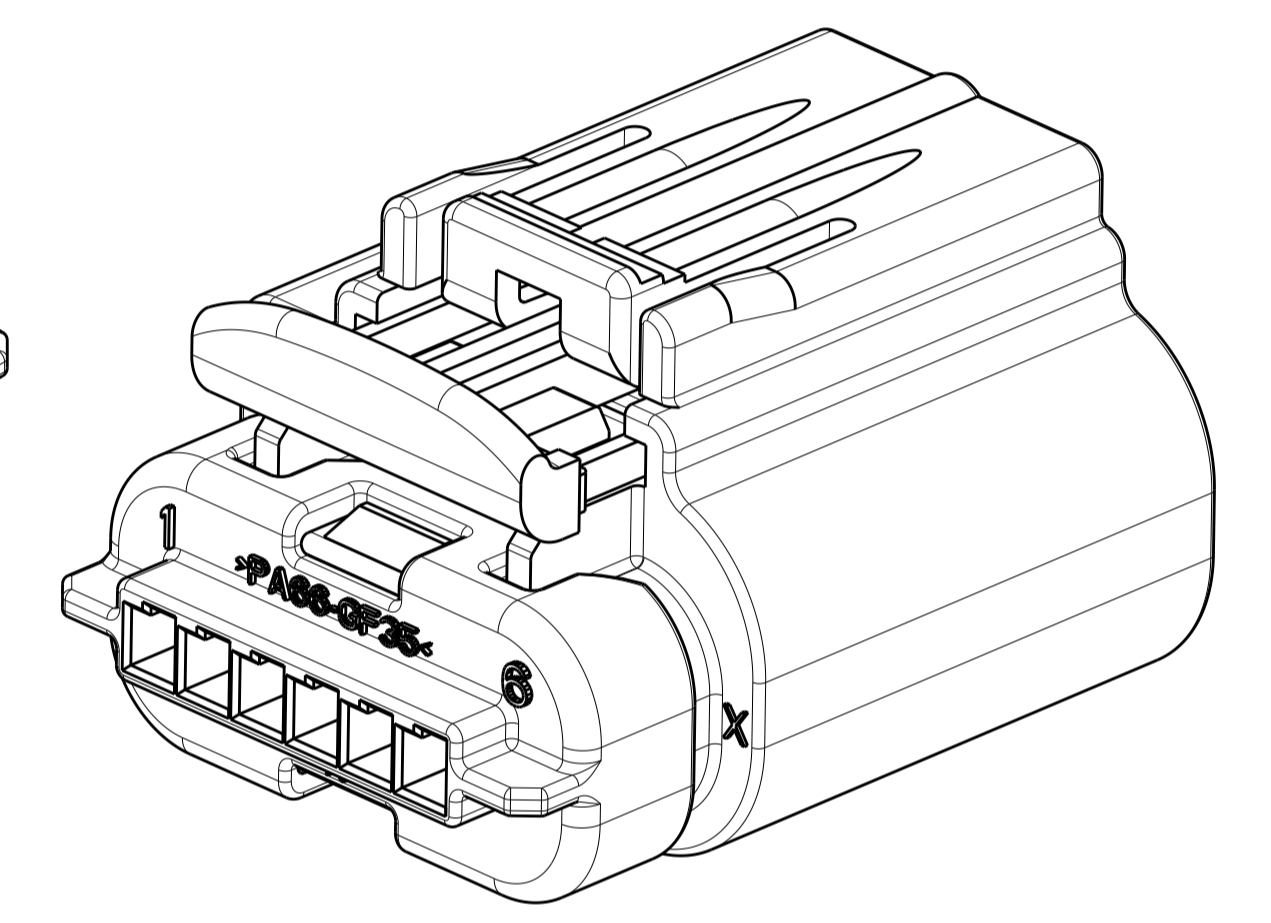
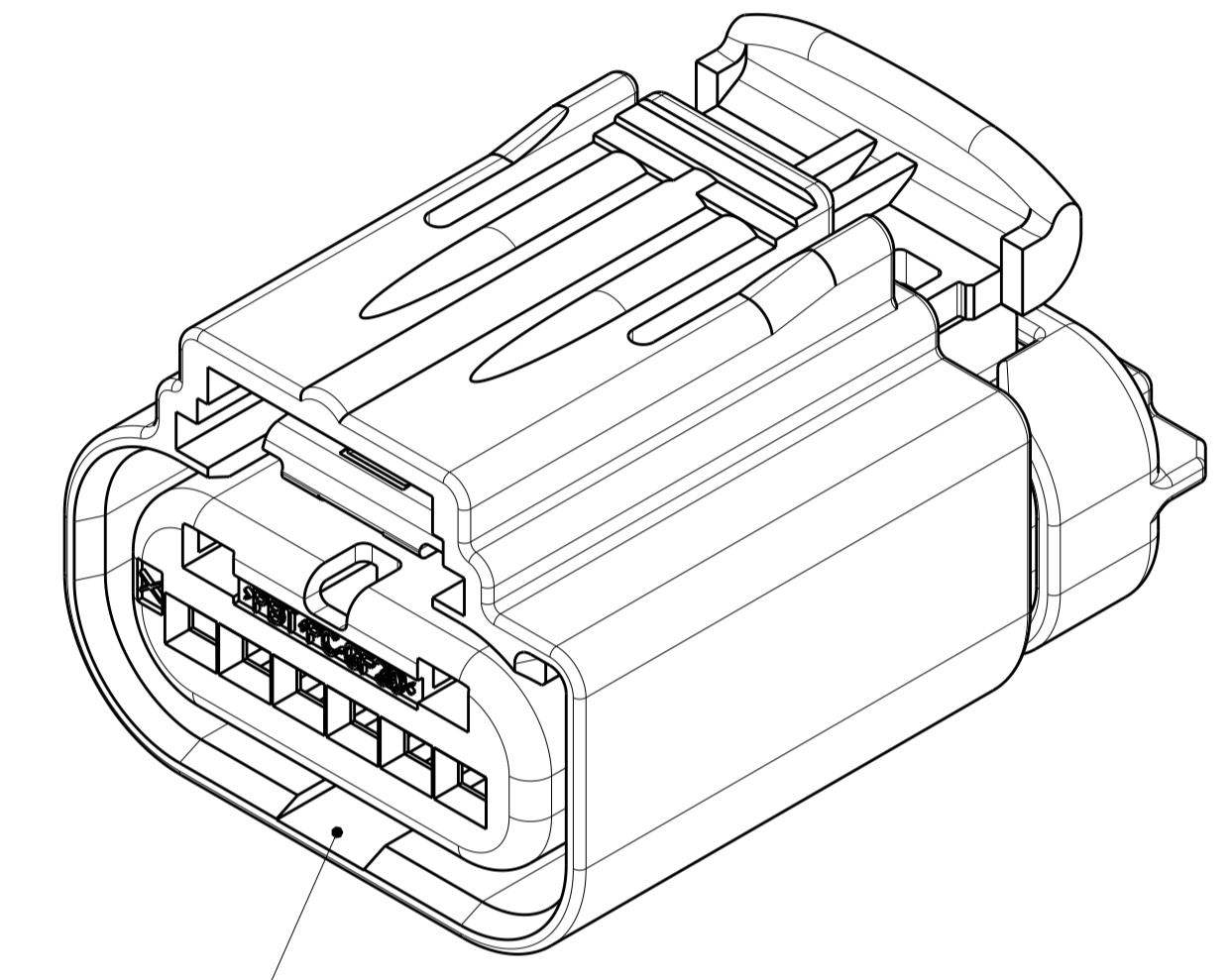
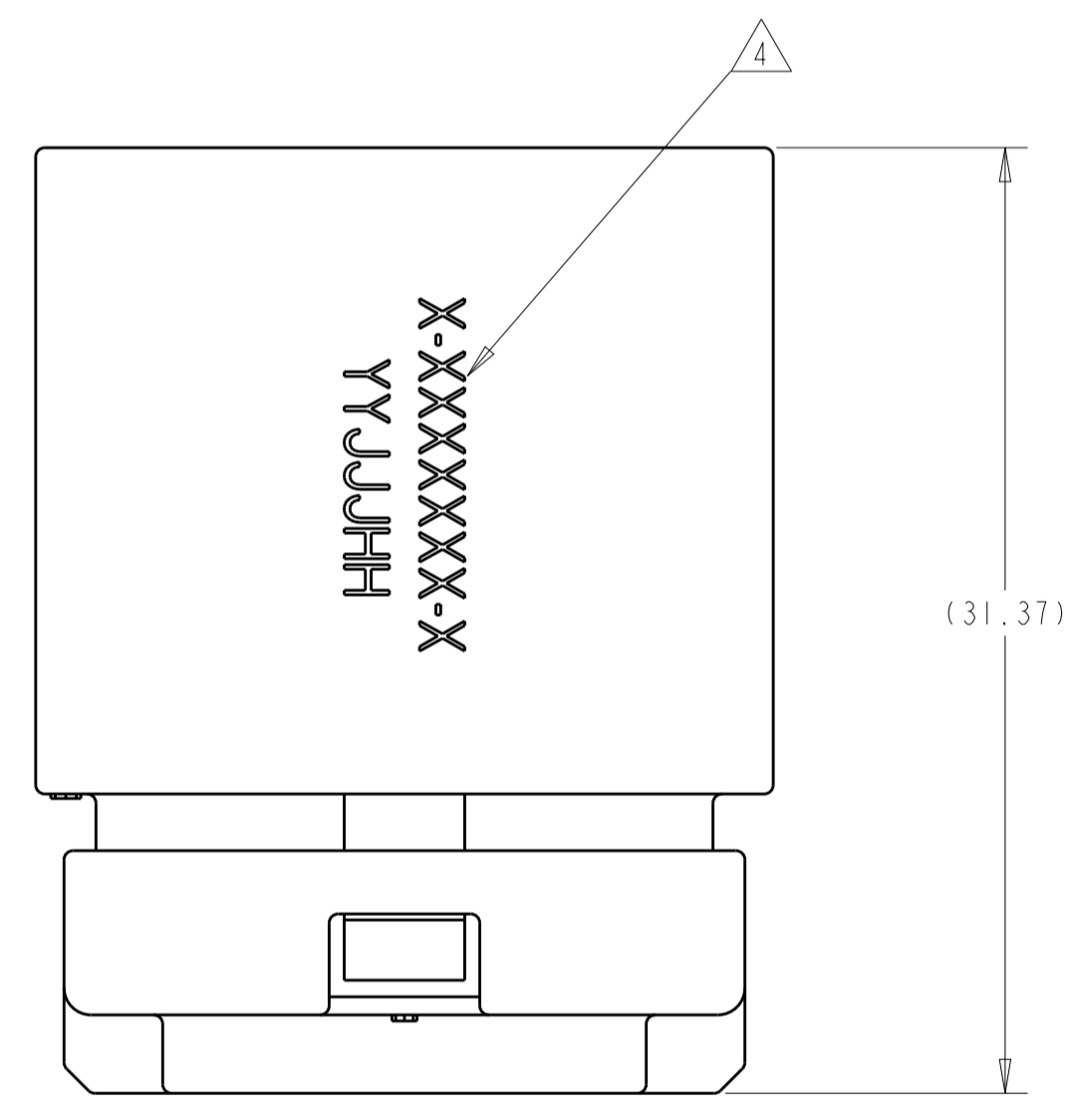
KEYING OPTION "B"



KEYING OPTION "C"



KEYING OPTION "D"



SCALE 1:1

KEYING OPTION "A" SHOWN  
 SEE NOTE 5 FOR APPLICABLE HEADER  
 INTERFACE INFORMATION

1. APPLICABLE TERMINAL PART NUMBERS (SOLD SEPARATELY):  
 FOR TIN APPLICATIONS: 1393367 AND 1393366.  
 FOR GOLD APPLICATIONS: 1393365 AND 1393364.  
 FOR TERMINATION AND REELING OPTIONS  
 SEE DRAWINGS 1393367, 1393366, 1393365, AND 1393364.

2. COMPATIBLE WIRE SIZES FOR MAT SEAL DESIGN 1.19 TO 2.06 O.D.  
 (22-18 AWG, 0.35-0.75 mm<sup>2</sup>)

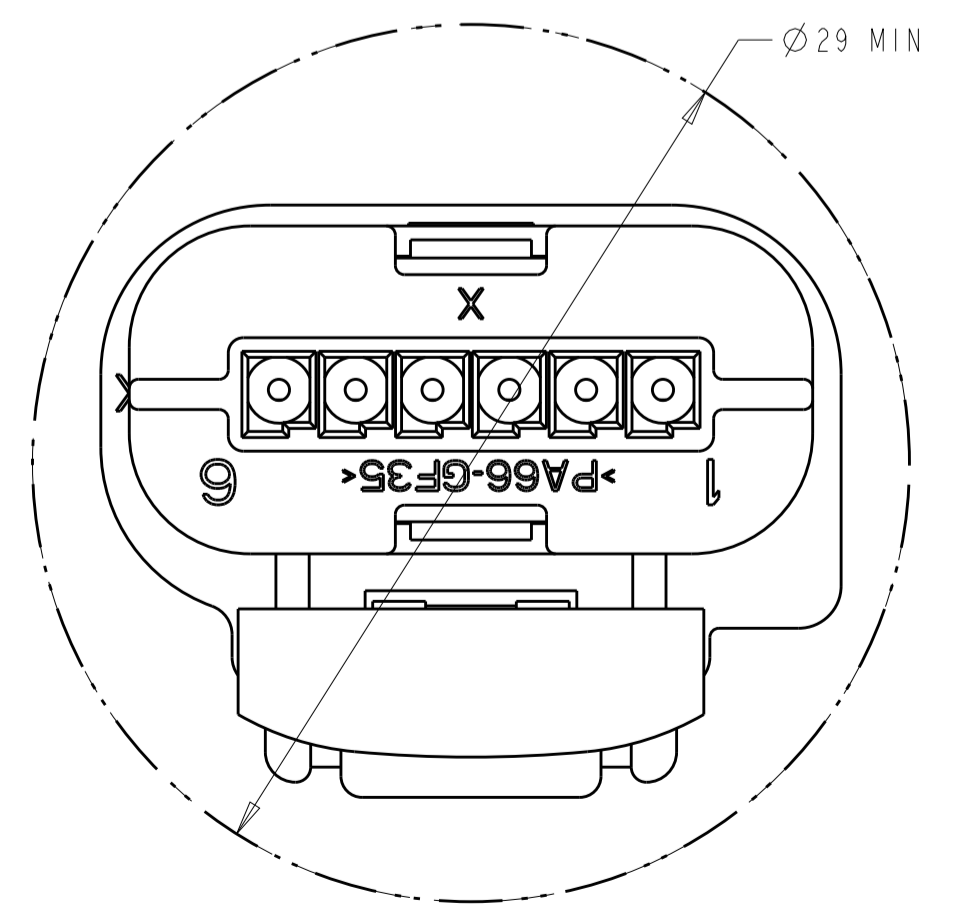
3. TPA IS SHIPPED IN PRE-LOADED POSITION. SOME TPA'S MAY BECOME FULLY  
 SEATED DURING SHIPPING. USE TE CONNECTIVITY INSTRUCTION SHEET  
 408-10128 TO REPOSITION TPA TO IT'S PRE-LOADED POSITION.

4. TE CONNECTIVITY ASSEMBLY PART NUMBER (X-XXXXXX-X) AND TRACEABILITY CODE  
 (YY = TWO DIGIT YEAR, JJJ = JULIAN DAY, HH = TWO DIGIT MILITARY HOUR)  
 ARE PRINTED IN THIS LOCATION.

5. APPLICABLE HEADER INTERFACE DRAWING 1438199 IS AVAILABLE UPON REQUEST.  
 A COPY OF THIS DRAWING CAN BE OBTAINED FROM THE TE CONNECTIVITY  
 PRODUCT MANAGER, VIA YOUR TE CONNECTIVITY SALES REPRESENTATIVE  
 OR CUSTOMER SERVICE.

6. ASSEMBLIES ARE BULK PACKAGED.

7. OPTIONAL CPA IS SHIPPED IN IT'S PRE-LOADED POSITION.



MINIMUM FEED THROUGH CONDITION  
 WITH 1mm CLEARANCE ALL AROUND

QUANTITY		ITEM	DESCRIPTION	MATERIAL	COLOR
		6	CPA	PBT-GF15	RED
		5	PERIMETER SEAL	SILICONE	GREEN
		4	GROMMET	SILICONE	BROWN
		3	COVER	PA66-GF35	BLACK
		2	TPA	PBT+PC-GF30	RED
			PLUG WITH KEYING KEYING OPTION "D"	PA66-GF35	BLACK
			PLUG WITH KEYING KEYING OPTION "C"	PA66-GF35	BLACK
			PLUG WITH KEYING KEYING OPTION "B"	PA66-GF35	BLACK
			PLUG WITH KEYING KEYING OPTION "A"	PA66-GF35	BLACK

<---- ASSEMBLY PART NUMBERS

THIS DRAWING IS A CONTROLLED DOCUMENT. DWN M. FORLSKA 15OCT2001  
 CHK M. FORLSKA 15OCT2001  
 APVD A. SHUMAN 15OCT2001

DIMENSIONS: mm  
 TOLERANCES UNLESS OTHERWISE SPECIFIED:  
 0 PLC ±0.3  
 1 PLC ±0.10  
 2 PLC ±0.10  
 3 PLC ±0.10  
 4 PLC ±0.10  
 ANGLES ±0.5°

MATERIAL: - FINISH: -

WEIGHT: 114-13150  
 CUSTOMER DRAWING

NAME: I X 6 SEALED CONNECTOR HARNESS ASSEMBLY  
 SIZE: A1  
 CAGE CODE: 00779  
 DRAWING NO: 1-1419168-1  
 RESTRICTED TO: -  
 SCALE: 4:1 SHEET 1 OF 2 REV: V4

TE Connectivity

REVISIONS				
P.	LTN	DESCRIPTION	DATE	APVD
-	-	SEE SHEET 1	-	-

6	5	4	3	2	1	TE CONNECTIVITY ASSEMBLY PART NUMBER	FORD PART NUMBER
						2-1438153-0	3L2T-14A464-BA-007
6					1	1-1438153-9	---
6						1-1438153-3	3L2T-14A464-BA-006
			3			1-1438153-2	3L2T-14A464-BA-005
			3		1	1438153-9	3L2T-14A464-BA-004
	4					1438153-8	3L2T-14A464-BA-003
					1	1438153-4	3L2T-14A464-BA-002
6					1	1438153-1	3L2T-14A464-BA-001
						1-1419168-1	3L2T-14A464-BA-000
6	5	4	3	2	1	TE CONNECTIVITY ASSEMBLY PART NUMBER	FORD PART NUMBER
CAVITIES WITH A NUMBER INDICATES CLOSED TERMINAL HOLE LOCATION							
BLANK CAVITIES INDICATES OPEN TERMINAL HOLE LOCATION							
KEY A, WITH CPA							

6	5	4	3	2	1	TE CONNECTIVITY ASSEMBLY PART NUMBER	FORD PART NUMBER
			3			2-1438153-1	3W4T-14A464-VA-008
6						1-1438153-6	3W4T-14A464-VA-007
6	5		3		1	1-1438153-5	3W4T-14A464-VA-006
6				2	1	1-1438153-4	3W4T-14A464-VA-005
	5					1-1438153-1	3W4T-14A464-VA-004
		4				1-1438153-0	---
					1	1438153-6	3W4T-14A464-VA-003
6					1	1438153-5	3W4T-14A464-VA-002
6		4			1	1438153-2	3W4T-14A464-VA-001
						1-1419168-2	3W4T-14A464-VA-000
6	5	4	3	2	1	TE CONNECTIVITY ASSEMBLY PART NUMBER	FORD PART NUMBER
CAVITIES WITH A NUMBER INDICATES CLOSED TERMINAL HOLE LOCATION							
BLANK CAVITIES INDICATES OPEN TERMINAL HOLE LOCATION							
KEY B, WITH CPA							

6	5	4	3	2	1	TE CONNECTIVITY ASSEMBLY PART NUMBER	FORD PART NUMBER
						1-1438153-8	9U5T-14A464-GAA-003
6					1	1-1438153-7	9U5T-14A464-GAA-002
6						1-1419168-5	9U5T-14A464-GAA-001
						1-1419168-3	9U5T-14A464-GAA
6	5	4	3	2	1	TE CONNECTIVITY ASSEMBLY PART NUMBER	FORD PART NUMBER
CAVITIES WITH A NUMBER INDICATES CLOSED TERMINAL HOLE LOCATION							
BLANK CAVITIES INDICATES OPEN TERMINAL HOLE LOCATION							
KEY C, WITH CPA							


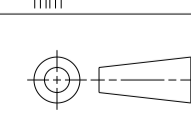
6	5	4	3	2	1	TE CONNECTIVITY ASSEMBLY PART NUMBER	FORD PART NUMBER
						1438153-3	3L2T-14A464-GA-001
						1419168-7	3L2T-14A464-GA-000
6	5	4	3	2	1	TE CONNECTIVITY ASSEMBLY PART NUMBER	FORD PART NUMBER
CAVITIES WITH A NUMBER INDICATES CLOSED TERMINAL HOLE LOCATION							
BLANK CAVITIES INDICATES OPEN TERMINAL HOLE LOCATION							
KEY A, NO CPA							

6	5	4	3	2	1	TE CONNECTIVITY ASSEMBLY PART NUMBER	FORD PART NUMBER
6						1438153-7	4L5T-14A464-BA-001
						1419168-8	4L5T-14A464-BA-000
6	5	4	3	2	1	TE CONNECTIVITY ASSEMBLY PART NUMBER	FORD PART NUMBER
CAVITIES WITH A NUMBER INDICATES CLOSED TERMINAL HOLE LOCATION							
BLANK CAVITIES INDICATES OPEN TERMINAL HOLE LOCATION							
KEY B, NO CPA							

6	5	4	3	2	1	TE CONNECTIVITY ASSEMBLY PART NUMBER	FORD PART NUMBER
						1419168-9	---
6	5	4	3	2	1	TE CONNECTIVITY ASSEMBLY PART NUMBER	FORD PART NUMBER
CAVITIES WITH A NUMBER INDICATES CLOSED TERMINAL HOLE LOCATION							
BLANK CAVITIES INDICATES OPEN TERMINAL HOLE LOCATION							
KEY C, NO CPA							

6	5	4	3	2	1	TE CONNECTIVITY ASSEMBLY PART NUMBER	FORD PART NUMBER
						1-1419168-0	---
6	5	4	3	2	1	TE CONNECTIVITY ASSEMBLY PART NUMBER	FORD PART NUMBER
CAVITIES WITH A NUMBER INDICATES CLOSED TERMINAL HOLE LOCATION							
BLANK CAVITIES INDICATES OPEN TERMINAL HOLE LOCATION							
KEY D, NO CPA							

PINOUT CHARTS

THIS DRAWING IS A CONTROLLED DOCUMENT.		OWN M. FORISKA 15OCT2001	 TE Connectivity
DIMENSIONS: mm		CHK M. FORISKA 15OCT2001	
		APVD A. SHUMAN 15OCT2001	
TOLERANCES UNLESS OTHERWISE SPECIFIED:		PRODUCT SPEC	NAME 1 X 6 SEALED CONNECTOR HARNESS ASSEMBLY
0 PLC ±		APPLICATION SPEC	SIZE CAGE CODE DRAWING NO RESTRICTED TO
1 PLC ±0.3		WEIGHT	A1 00779 C=1-1419168-1
2 PLC ±		CUSTOMER DRAWING	SCALE 4:1 SHEET 2 OF 2 REV V4
3 PLC ±			
4 PLC ±			
ANGLES ±			
FINISH ±.3°			

Компания «Life Electronics» занимается поставками электронных компонентов импортного и отечественного производства от производителей и со складов крупных дистрибьюторов Европы, Америки и Азии.

С конца 2013 года компания активно расширяет линейку поставок компонентов по направлению коаксиальный кабель, кварцевые генераторы и конденсаторы (керамические, пленочные, электролитические), за счёт заключения дистрибьюторских договоров

Мы предлагаем:

- Конкурентоспособные цены и скидки постоянным клиентам.
- Специальные условия для постоянных клиентов.
- Подбор аналогов.
- Поставку компонентов в любых объемах, удовлетворяющих вашим потребностям.
- Приемлемые сроки поставки, возможна ускоренная поставка.
- Доставку товара в любую точку России и стран СНГ.
- Комплексную поставку.
- Работу по проектам и поставку образцов.
- Формирование склада под заказчика.
- Сертификаты соответствия на поставляемую продукцию (по желанию клиента).
- Тестирование поставляемой продукции.
- Поставку компонентов, требующих военную и космическую приемку.
- Входной контроль качества.
- Наличие сертификата ISO.

В составе нашей компании организован Конструкторский отдел, призванный помогать разработчикам, и инженерам.

Конструкторский отдел помогает осуществить:

- Регистрацию проекта у производителя компонентов.
- Техническую поддержку проекта.
- Защиту от снятия компонента с производства.
- Оценку стоимости проекта по компонентам.
- Изготовление тестовой платы монтаж и пусконаладочные работы.



Тел: +7 (812) 336 43 04 (многоканальный)  
Email: [org@lifeelectronics.ru](mailto:org@lifeelectronics.ru)