

## Dual Digital Potentiometer

### FEATURES

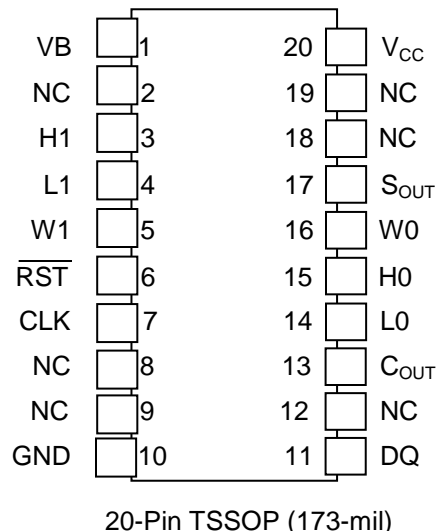
- Two digitally controlled, 256-position potentiometers
- Serial port provides means for setting and reading both potentiometers
- Resistors can be connected in series to provide increased total resistance
- 16-pin SO and 20-pin TSSOP packages
- Resistive elements are temperature compensated to  $\pm 0.3$  LSB relative linearity
- Standard resistance values:
  - DS1267B-10 ~ 10k $\Omega$
  - DS1267B-50 ~ 50k $\Omega$
  - DS1267B-100 ~ 100k $\Omega$
- Operating Temperature Range:
  - Industrial: -40°C to +85°C

### PIN ASSIGNMENT



### PIN DESCRIPTIONS

|                         |                                |
|-------------------------|--------------------------------|
| L0, L1                  | - Low End of Resistor          |
| H0, H1                  | - High End of Resistor         |
| W0, W1                  | - Wiper Terminal of Resistor   |
| V <sub>B</sub>          | - Substrate Bias Voltage       |
| S <sub>OUT</sub>        | - Stacked Configuration Output |
| $\overline{\text{RST}}$ | - Serial Port Reset Input      |
| DQ                      | - Serial Port Data Input       |
| CLK                     | - Serial Port Clock Input      |
| C <sub>OUT</sub>        | - Cascade Port Output          |
| V <sub>CC</sub>         | - +5V Supply                   |
| GND                     | - Ground                       |
| NC                      | - No Internal Connection       |



| PART NO.      | PIN-PACKAGE | END-TO-END RESISTANCE (k $\Omega$ ) |
|---------------|-------------|-------------------------------------|
| DS1267BE-010+ | 20 TSSOP    | 10                                  |
| DS1267BE-050+ | 20 TSSOP    | 50                                  |
| DS1267BE-100+ | 20 TSSOP    | 100                                 |
| DS1267BS-010+ | 16 SO       | 10                                  |
| DS1267BS-050+ | 16 SO       | 50                                  |
| DS1267BS-100+ | 16 SO       | 100                                 |

## DESCRIPTION

The DS1267B Dual Digital Potentiometer Chip consists of two digitally controlled, solid-state potentiometers. Each potentiometer is composed of 256 resistive sections. Between each resistive section and both ends of the potentiometer are tap points which are accessible to the wiper. The position of the wiper on the resistive array is set by an 8-bit value that controls which tap point is connected to the wiper output. Communication and control of the device are accomplished via a 3-wire serial port interface. This interface allows the device wiper position to be read or written.

Both potentiometers can be connected in series (or stacked) for an increased total resistance with the same resolution. For multiple-device, single-processor environments, the DS1267B can be cascaded or daisy-chained. This feature provides for control of multiple devices over a single 3-wire bus.

The DS1267B is offered in three standard resistance values which include 10k $\Omega$ , 50k $\Omega$ , and 100k $\Omega$  versions. Available packages for the device include a 16-pin SO and 20-pin TSSOP.

## OPERATION

The DS1267B contains two 256-position potentiometers whose wiper positions are set by an 8-bit value. These two 8-bit values are written to a 17-bit I/O shift register that is used to store the two wiper positions and the stack select bit when the device is powered. A block diagram of the DS1267B is presented in Figure 1.

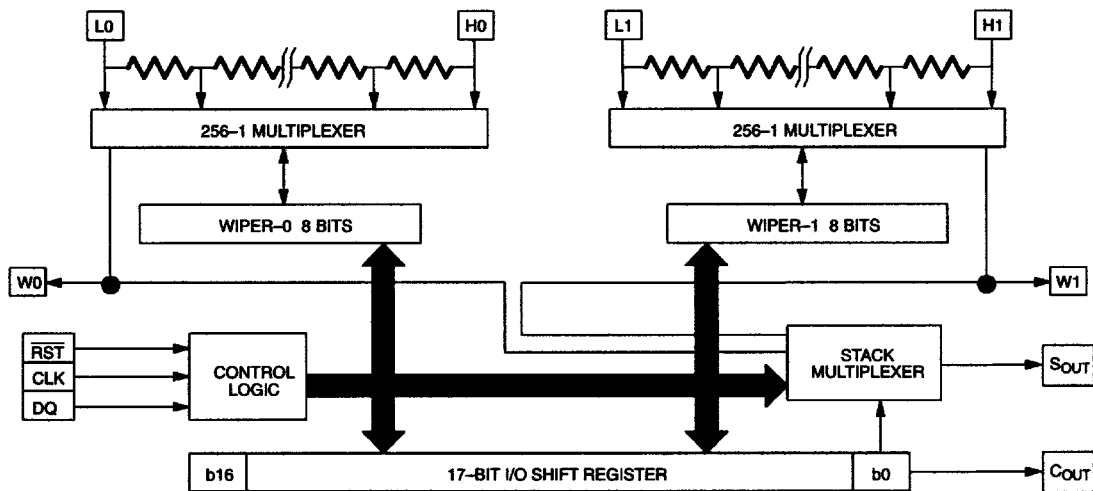
Communication and control of the DS1267B are accomplished through a 3-wire serial port interface that drives an internal control logic unit. The 3-wire serial interface consists of the three input signals:  $\overline{\text{RST}}$ , CLK, and DQ.

The  $\overline{\text{RST}}$  control signal is used to enable the 3-wire serial port operation of the device. The chip is selected when  $\overline{\text{RST}}$  is high;  $\overline{\text{RST}}$  must be high to begin any communication to the DS1267B. The CLK signal input is used to provide timing synchronization for data input and output. The DQ signal line is used to transmit potentiometer wiper settings and the stack select bit configuration to the 17-bit I/O shift register of the DS1267B.

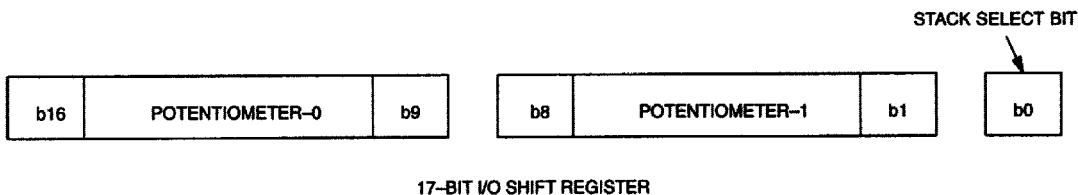
Figure 9(a) presents the 3-wire serial port protocol. As shown, the 3-wire port is inactive when the  $\overline{\text{RST}}$  signal input is low. Communication with the DS1267B requires the transition of the  $\overline{\text{RST}}$  input from a low state to a high state. Once the 3-wire port has been activated, data is entered into the part on the low to high transition of the CLK signal inputs. Three-wire serial timing requirements are provided in the timing diagrams of Figure 9(b)-(c).

Data written to the DS1267B over the 3-wire serial interface is stored in the 17-bit I/O shift register (see Figure 2). The 17-bit I/O shift register contains both 8-bit potentiometer wiper position values and the stack select bit. The composition of the I/O shift register is presented in Figure 2. Bit 0 of the I/O shift register contains the stack select bit, which will be discussed in the section entitled *Stacked Configuration*. Bits 1 through 8 of the I/O shift register contain the potentiometer-1 wiper position value. Bit 1 contains the MSB of the wiper setting for potentiometer-1 and bit 8 the LSB for the wiper setting. Bits 9 through 16 of the I/O shift register contain the value of the potentiometer-0 wiper position, with the MSB for the wiper position occupying bit 9 and the LSB bit 16.

DS1267B BLOCK DIAGRAM Figure 1



I/O SHIFT REGISTER Figure 2



Transmission of data always begins with the stack select bit followed by the potentiometer-1 wiper position value and lastly the potentiometer-0 wiper position value.

When wiper position data is to be written to the DS1267B, 17 bits (or some integer multiple) of data should always be transmitted. Transactions which do not send a complete 17 bits (or multiple) will leave the register incomplete and possibly an error in the desired wiper positions.

After a communication transaction has been completed, the  $\overline{\text{RST}}$  signal input should be taken to a low state to prevent any inadvertent changes to the device shift register. Once  $\overline{\text{RST}}$  has reached a low state, the contents of the I/O shift register are loaded into the respective multiplexers for setting wiper position. A new wiper position will only engage after a  $\overline{\text{RST}}$  transition to the inactive state. On device power-up the DS1267B wiper positions will be set at 50% of the total resistance or binary value 1000 0000.

## STACKED CONFIGURATION

The potentiometers of the DS1267B can be connected in series as shown in Figure 3. This is referred to as the stacked configuration. The stacked configuration allows the user to double the total end-to-end resistance of the part and the number of steps to 512 (or 9 bits of resolution).

The wiper output for the combined stacked potentiometer will be taken at the  $S_{OUT}$  pin, which is the multiplexed output of the wiper of potentiometer-0 (W0) or potentiometer-1 (W1). The potentiometer wiper selected at the  $S_{OUT}$  output is governed by the setting of the stack select bit (bit 0) of the 17-bit I/O shift register. If the stack select bit has value 0, the multiplexed output,  $S_{OUT}$ , will be that of the potentiometer-0 wiper. If the stack select bit has value 1, the multiplexed output,  $S_{OUT}$ , will be that of the potentiometer-1 wiper.

### STACKED CONFIGURATION Figure 3



## CASCADE OPERATION

A feature of the DS1267B is the ability to control multiple devices from a single processor. Multiple DS1267Bs can be linked or daisy-chained as shown in Figure 4. As a data bit is entered into the I/O shift register of the DS1267B a bit will appear at the  $C_{OUT}$  output within a maximum delay of 50 nanoseconds. The stack select bit of the DS1267B will always be the first out the part at the beginning of a transaction. Additionally the  $C_{OUT}$  pin is always active regardless of the state of  $\overline{RST}$ . This allows one to read the I/O shift register without changing its value.

### CASCADING MULTIPLE DEVICES Figure 4



The  $C_{OUT}$  output of the DS1267B can be used to drive the DQ input of another DS1267B. When connecting multiple devices, the total number of bits transmitted is always 17 times the number of DS1267Bs in the daisy chain.

An optional feedback resistor can be placed between the  $C_{OUT}$  terminal of the last device and the first DS1267B DQ input, thus allowing the controlling processor to read as well as write data or circularly clock data through the daisy chain. The value of the feedback or isolation resistor should be in the range from  $2\Omega$  to  $10k\Omega$ .

When reading data via the  $C_{OUT}$  pin and isolation resistor, the DQ line is left floating by the reading device. When  $\overline{RST}$  is driven high, bit 17 is present on the  $C_{OUT}$  pin, which is fed back to the input DQ pin through the isolation resistor. When the CLK input transitions low to high, bit 17 is loaded into the first position of the I/O shift register and bit 16 becomes present on  $C_{OUT}$  and DQ of the next device. After 17 bits (or 17 times the number of DS1267Bs in the daisy chain), the data has shifted completely around and back to its original position. When  $\overline{RST}$  transitions to the low state to end data transfer, the value (the same as before the read occurred) is loaded into the wiper-0, wiper-1, and stack select bit I/O register.

## ABSOLUTE AND RELATIVE LINEARITY

Absolute linearity, also known as integral nonlinearity, is defined as the difference between the actual measured output voltage and the expected output voltage. Figure 5 presents the test circuit used to measure absolute linearity. Absolute linearity is given in terms of a minimum increment or expected output when the wiper is moved one position. In the case of the test circuit, a minimum increment (MI) or one LSB would equal  $10/512$  volts. The equation for absolute linearity is given as follows:

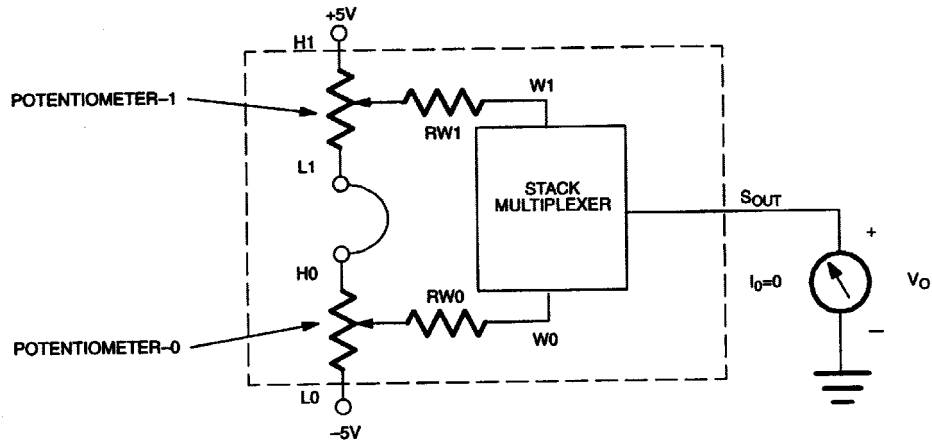
$$(1) \quad \text{ABSOLUTE LINEARITY (INL)} \\ AL = \{V_O (\text{actual}) - V_O (\text{expected})\} / MI$$

Relative Linearity, also known as differential nonlinearity, is a measure of error between two adjacent wiper position points and is given in terms of MI by equation (2).

$$(2) \quad \text{RELATIVE LINEARITY (DNL)} \\ RL = \{V_O (n+1) - V_O (n)\} / MI$$

Figure 6 is a plot of absolute linearity and relative linearity versus wiper position for the DS1267B at  $25^\circ\text{C}$ . The specification for absolute linearity of the DS1267B is  $\pm 0.75$  MI typical. The specification for relative linearity of the DS1267B is  $\pm 0.3$  MI typical.

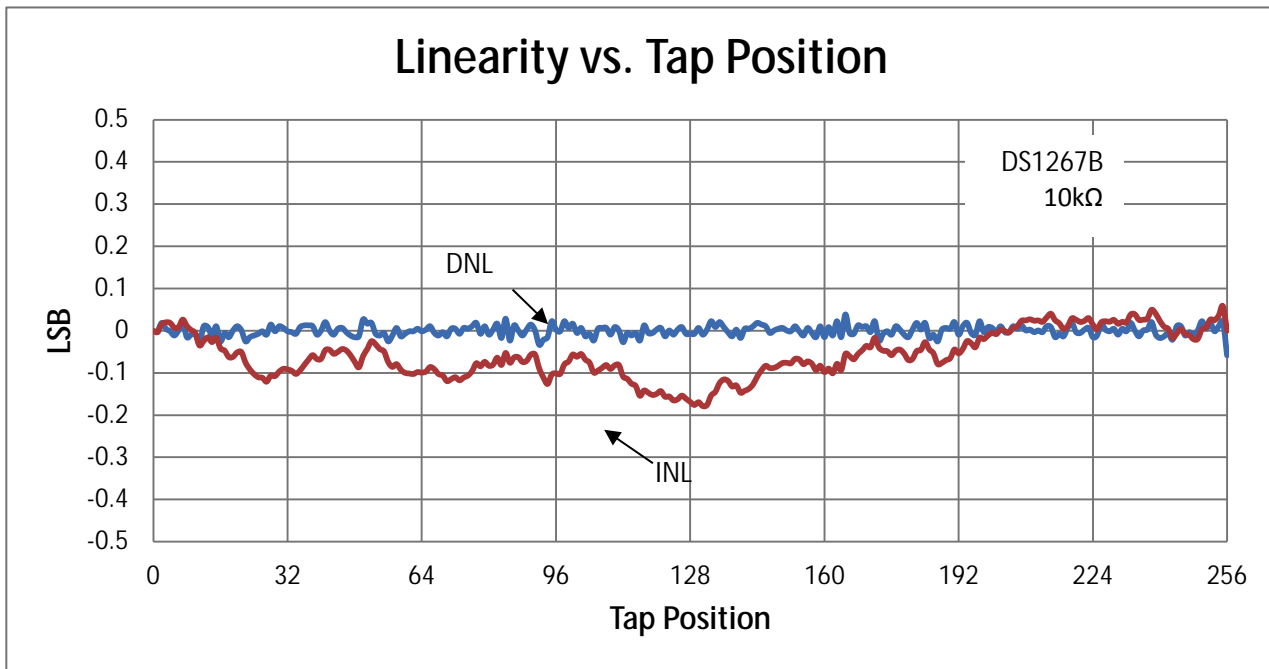
**LINEARITY MEASUREMENT CONFIGURATION** Figure 5



**NOTE:**

In this setup, a ±2% delta in total resistance R0 to R1 would cause a ±2.5 MI error.

**DS1267B ABSOLUTE AND RELATIVE LINEARITY** Figure 6



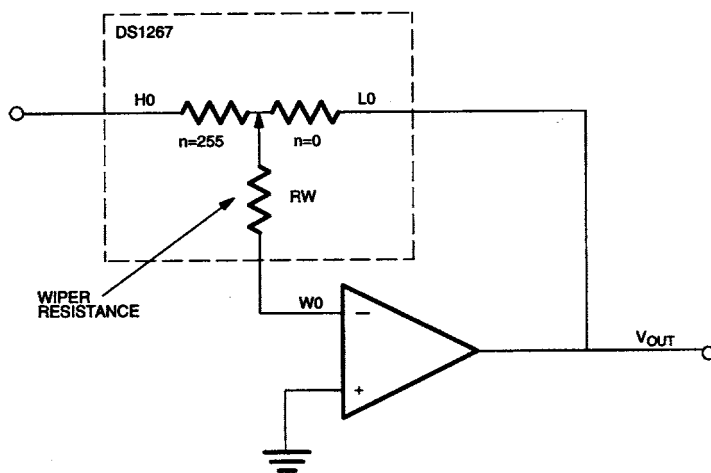
**TYPICAL APPLICATION CONFIGURATIONS**

Figures 7 and 8 show two typical application configurations for the DS1267B. By connecting the wiper terminal of the part to a high-impedance load, the effects of the wiper resistance is minimized, since the wiper resistance can vary from 900Ω to 2000Ω depending on wiper voltage. Figure 7 presents the device connected in an inverting variable gain amplifier. The gain of the circuit on Figure 7 is given by the following equation:

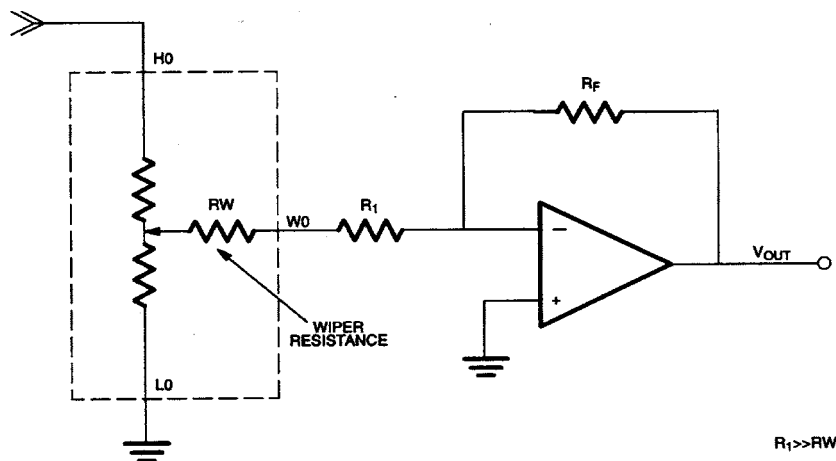
$$A_v = -n/(255-n); \text{ where } n = 0 \text{ to } 255$$

Figure 8 shows the device operating in a fixed gain attenuator where the potentiometer is used to attenuate an incoming signal. Note the resistance  $R_1$  is chosen to be much greater than the wiper resistance to minimize its effect on circuit gain.

**INVERTING VARIABLE GAIN AMPLIFIER Figure 7**



**FIX GAIN ATTENUATOR Figure 8**



**ABSOLUTE MAXIMUM RATINGS\***

|   |                                     |
|---|-------------------------------------|
| Voltage on Any Pin Relative to Ground ( $V_B = \text{GND}$ )..... | -0.5V to +7.0V                      |
| Voltage on Resistor Pins when $V_B = -5.5\text{V}$ .....          | -5.5V to ( $V_{CC} + 0.5\text{V}$ ) |
| Voltage on $V_B$ .....  | -5.5V to GND                        |
| Operating Temperature .....                                       | -40° to +85°C                       |
| Storage Temperature.....  | -55°C to +125°C                     |
| Soldering Temperature .....                                       | 260°C for 10s                       |

\* This is a stress rating only and functional operation of the device at these or any other conditions above those indicated in the operation sections of this specification is not implied. Exposure to absolute maximum rating conditions for extended periods of time may affect reliability.

**RECOMMENDED DC OPERATING CONDITIONS**(-40°C to +85°C;  $V_{CC} = 5.0\text{V} \pm 10\%$ )

| PARAMETER       | SYMBOL   | MIN                 | TYP | MAX                  | UNITS | NOTES |
|-----------------|----------|---------------------|-----|----------------------|-------|-------|
| Supply Voltage  | $V_{CC}$ | 4.5                 |     | 5.5                  | V     | 1     |
| Input Logic 1   | $V_{IH}$ | $0.7 \times V_{CC}$ |     | $V_{CC} + 0.5$       | V     | 1     |
| Input Logic 0   | $V_{IL}$ | -0.5                |     | $+0.3 \times V_{CC}$ | V     | 1     |
| Substrate Bias  | $V_B$    | -5.5                |     | GND                  | V     | 1     |
| Resistor Inputs | L,H,W    | $V_B - 0.5$         |     | $V_{CC} + 0.5$       | V     | 2     |

**DC ELECTRICAL CHARACTERISTICS**(-40°C to +85°C;  $V_{CC} = 5.0\text{V} \pm 10\%$ )

| PARAMETER              | SYMBOL     | MIN | TYP | MAX  | UNITS         | NOTES |
|------------------------|------------|-----|-----|------|---------------|-------|
| Supply Current         | $I_{CC}$   |     | 2.1 | 5    | mA            | 7     |
| Input Leakage          | $I_{LI}$   | -1  |     | +1   | $\mu\text{A}$ | 9     |
| Wiper Resistance       | $R_W$      |     | 900 | 2000 | W             |       |
| Wiper Current          | $I_W$      |     |     | 1    | mA            |       |
| Logic 1 Output at 2.4V | $I_{OH}$   | -1  |     |      | mA            | 5     |
| Logic 0 Output at 0.4V | $I_{OL}$   |     |     | 4    | mA            | 5     |
| Standby Current        | $I_{STBY}$ |     | 0.6 | 2    | $\mu\text{A}$ |       |



**ANALOG RESISTOR CHARACTERISTICS**(-40°C to +85°C;  $V_{CC} = 5.0V \pm 10\%$ )

| PARAMETER                       | SYMBOL | MIN  | TYP        | MAX  | UNITS  | NOTES |
|---------------------------------|--------|------|------------|------|--------|-------|
| End-to-End Resistor Tolerance   |        | -20  |            | +20  | %      | 8     |
| Integral Nonlinearity (INL)     |        | -1.6 | $\pm 0.75$ | +1.6 | LSB    | 3     |
| Differential Nonlinearity (DNL) |        | -0.5 | $\pm 0.3$  | +0.5 | LSB    | 4     |
| Temperature Coefficient         |        |      | 750        |      | ppm/°C |       |

**CAPACITANCE**(T<sub>A</sub> = +25°C)

| PARAMETER          | SYMBOL           | MIN | TYP | MAX | UNITS | NOTES |
|--------------------|------------------|-----|-----|-----|-------|-------|
| Input Capacitance  | C <sub>IN</sub>  |     | 5   |     | pF    |       |
| Output Capacitance | C <sub>OUT</sub> |     | 7   |     | pF    |       |

**AC ELECTRICAL CHARACTERISTICS**(-40°C to +85°C;  $V_{CC} = 5.0V \pm 10\%$ )

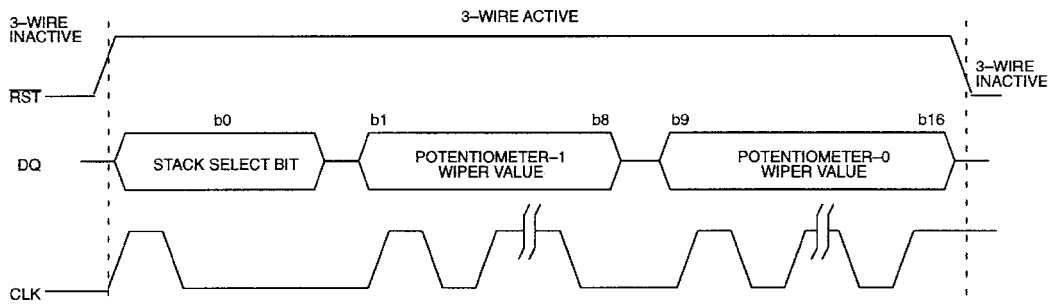
| PARAMETER  | SYMBOL           | MIN | TYP | MAX | UNITS | NOTES |
|--|------------------|-----|-----|-----|-------|-------|
| CLK Frequency  | f <sub>CLK</sub> | DC  |     | 3.5 | MHz   | 6     |
| Width of CLK Pulse                                       | t <sub>CH</sub>  | 50  |     |     | ns    | 6     |
| Data Setup Time  | t <sub>DC</sub>  | 30  |     |     | ns    | 6     |
| Data Hold Time   | t <sub>CDH</sub> | 10  |     |     | ns    | 6     |
| Propagation Delay Time Low to High Level Clock to Output | t <sub>PLH</sub> |     |     | 250 | ns    | 6     |
| Propagation Delay Time High to Low Level                 | t <sub>PHL</sub> |     |     | 250 | ns    | 6     |
| $\overline{\text{RST}}$ High to Clock Input High         | t <sub>CC</sub>  | 50  |     |     | ns    | 6     |
| $\overline{\text{RST}}$ Low to Clock Input High          | t <sub>HLT</sub> | 50  |     |     | ns    | 6     |
| $\overline{\text{RST}}$ Inactive                         | t <sub>RLT</sub> | 125 |     |     | ns    | 6     |

**NOTES:**

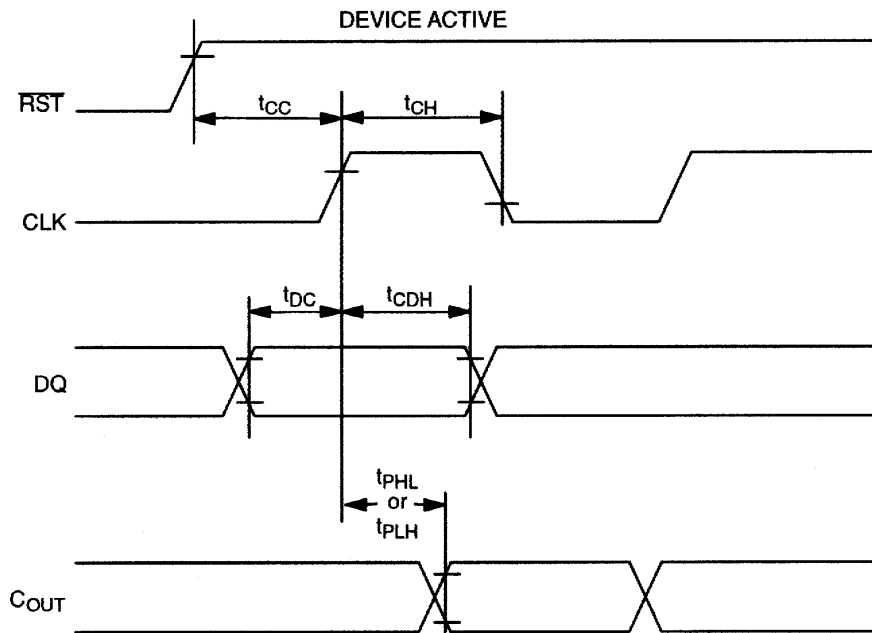
- All voltages are referenced to ground.
- Resistor inputs cannot exceed the substrate bias voltage, V<sub>B</sub>, in the negative direction.
- INL is used to determine wiper voltage versus expected voltage as determined by wiper position.
- DNL is used to determine the change in voltage between successive tap positions.
- C<sub>OUT</sub> is active regardless of the state of  $\overline{\text{RST}}$ .
- See Figures 9(a), (b), and (c).
- See Figure 11.
- Valid at +25°C only.
- Digital Inputs

# TIMING DIAGRAMS Figure 9

## (A) 3-WIRE SERIAL INTERFACE GENERAL OVERVIEW



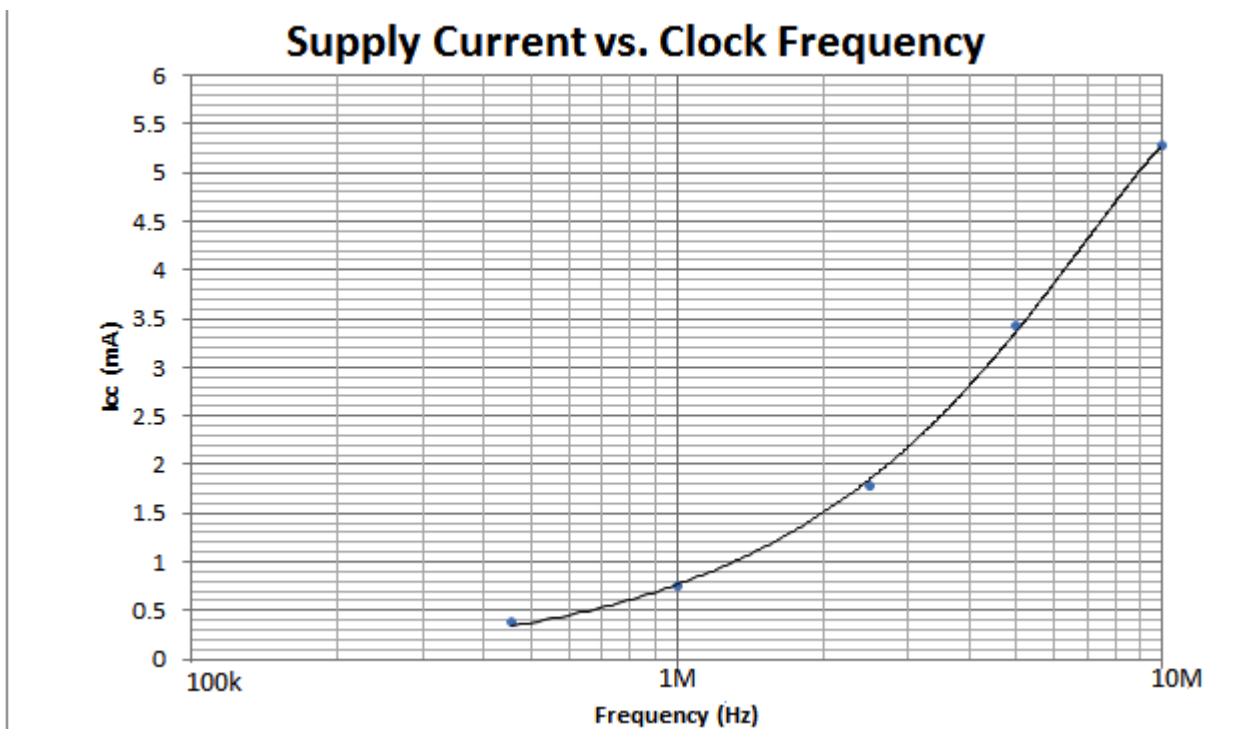
## (B) START OF COMMUNICATION TRANSACTION



**(C) END OF COMMUNICATION TRANSACTION**



**TYPICAL SUPPLY CURENT VS. SERIAL CLOCK RATE** Figure 11



## PACKAGE INFORMATION

For the latest package outline information and land patterns (footprints), go to [www.maximintegrated.com/packages](http://www.maximintegrated.com/packages). Note that a "+", "#", or "-" in the package code indicates RoHS status only. Package drawings may show a different suffix character, but the drawing pertains to the package regardless of RoHS status.

| PACKAGE TYPE | PACKAGE CODE | DOCUMENT NO.            | LAND PATTERN NO.        |
|--------------|--------------|-------------------------|-------------------------|
| 16 SO        | W16+6        | <a href="#">21-0042</a> | <a href="#">90-0107</a> |
| 20 TSSOP     | U20+2        | <a href="#">21-0066</a> | <a href="#">90-0116</a> |

**REVISION HISTORY**

| <b>REVISION<br/>DATE</b> | <b>DESCRIPTION</b>   | <b>PAGES<br/>CHANGED</b> |
|--------------------------|--|--------------------------|
| 1/13                     | Initial Release  | —                        |
| 1/14                     | Removed future product notation in <i>Ordering Information</i> | 1                        |

Maxim Integrated cannot assume responsibility for use of any circuitry other than circuitry entirely embodied in a Maxim Integrated product. No circuit patent licenses are implied. Maxim Integrated reserves the right to change the circuitry and specifications without notice at any time. The parametric values (min and max limits) shown in the Electrical Characteristics table are guaranteed. Other parametric values quoted in this data sheet are provided for guidance.

**Maxim Integrated, 160 Rio Robles, San Jose, CA 95134 1-408-601-1000**

Компания «Life Electronics» занимается поставками электронных компонентов импортного и отечественного производства от производителей и со складов крупных дистрибьюторов Европы, Америки и Азии.

С конца 2013 года компания активно расширяет линейку поставок компонентов по направлению коаксиальный кабель, кварцевые генераторы и конденсаторы (керамические, пленочные, электролитические), за счёт заключения дистрибьюторских договоров

Мы предлагаем:

- Конкуренеспособные цены и скидки постоянным клиентам.
- Специальные условия для постоянных клиентов.
- Подбор аналогов.
- Поставку компонентов в любых объемах, удовлетворяющих вашим потребностям.
- Приемлемые сроки поставки, возможна ускоренная поставка.
- Доставку товара в любую точку России и стран СНГ.
- Комплексную поставку.
- Работу по проектам и поставку образцов.
- Формирование склада под заказчика.
- Сертификаты соответствия на поставляемую продукцию (по желанию клиента).
- Тестирование поставляемой продукции.
- Поставку компонентов, требующих военную и космическую приемку.
- Входной контроль качества.
- Наличие сертификата ISO.

В составе нашей компании организован Конструкторский отдел, призванный помогать разработчикам, и инженерам.

Конструкторский отдел помогает осуществить:

- Регистрацию проекта у производителя компонентов.
- Техническую поддержку проекта.
- Защиту от снятия компонента с производства.
- Оценку стоимости проекта по компонентам.
- Изготовление тестовой платы монтаж и пусконаладочные работы.



Тел: +7 (812) 336 43 04 (многоканальный)  
Email: [org@lifeelectronics.ru](mailto:org@lifeelectronics.ru)