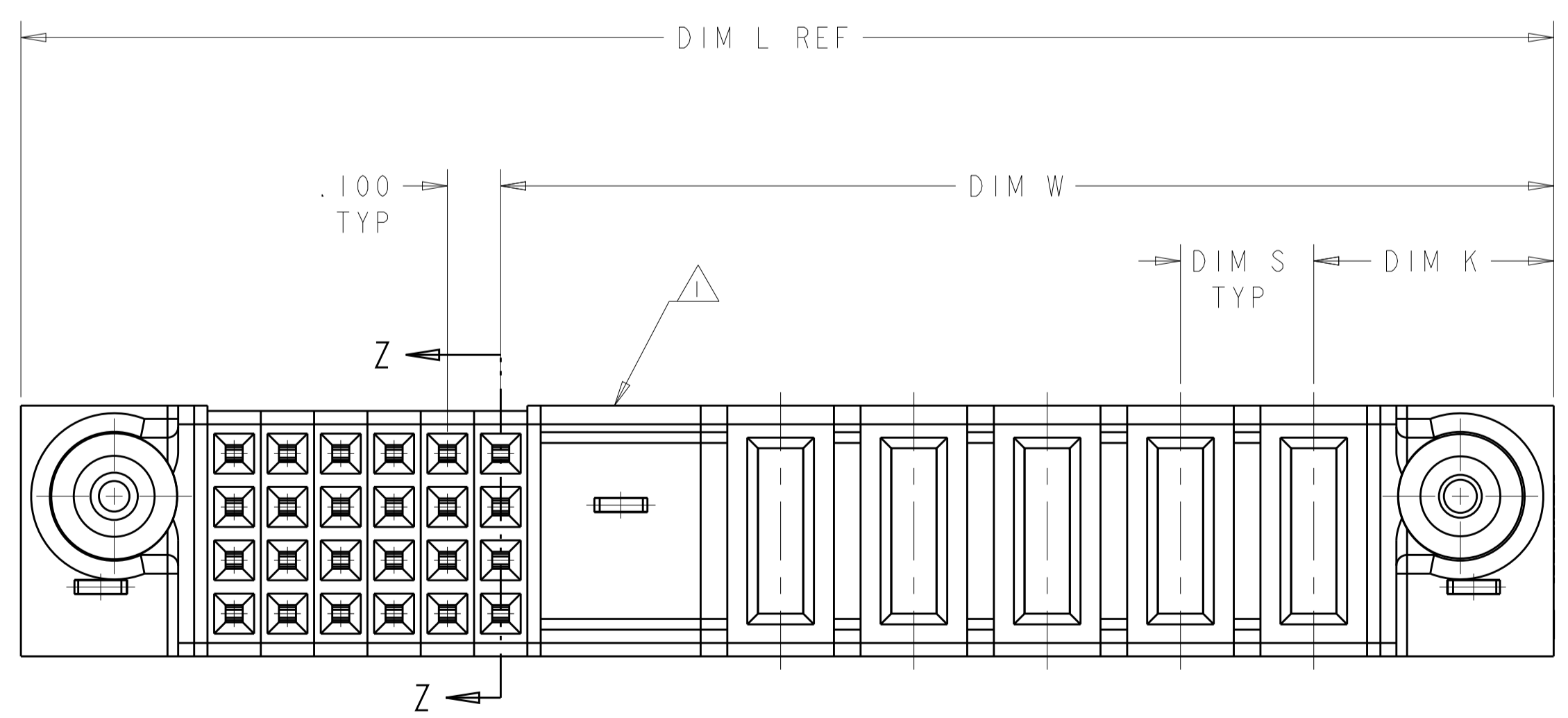
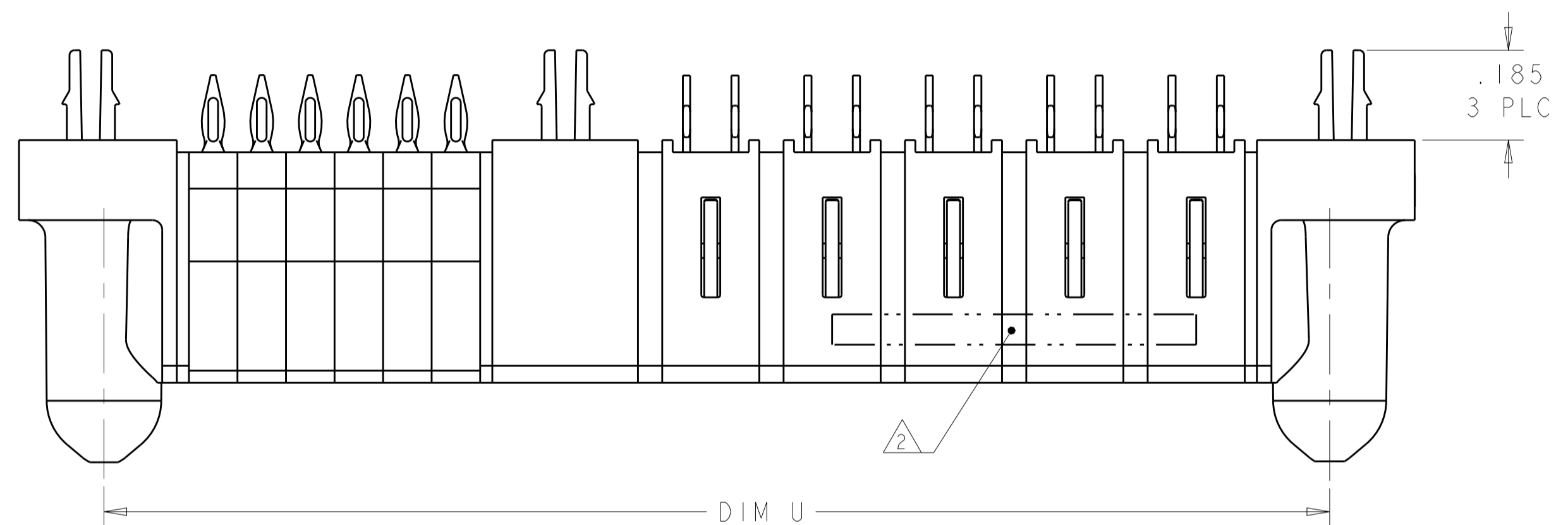
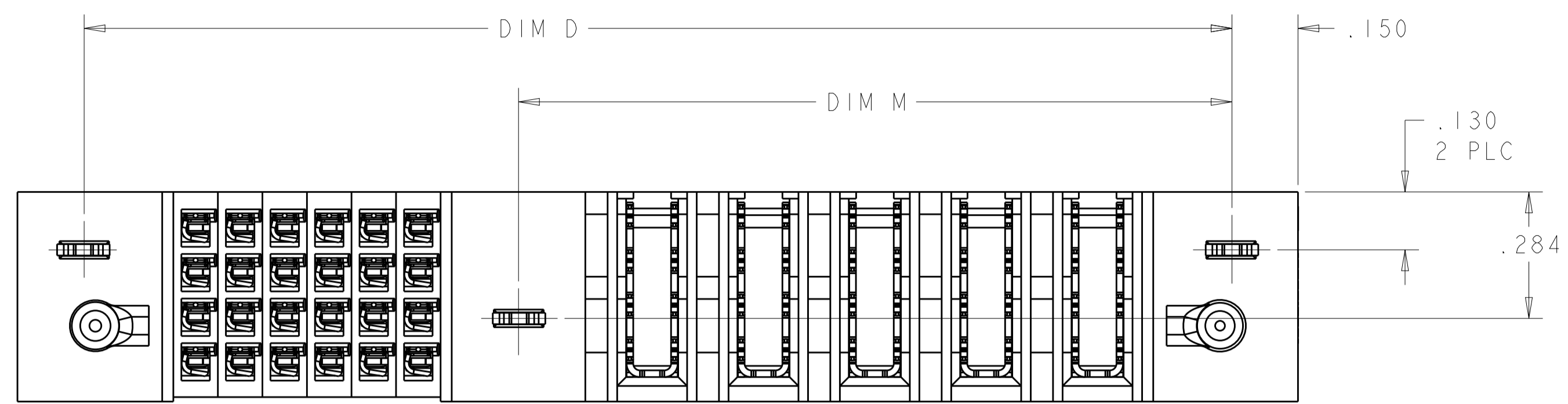
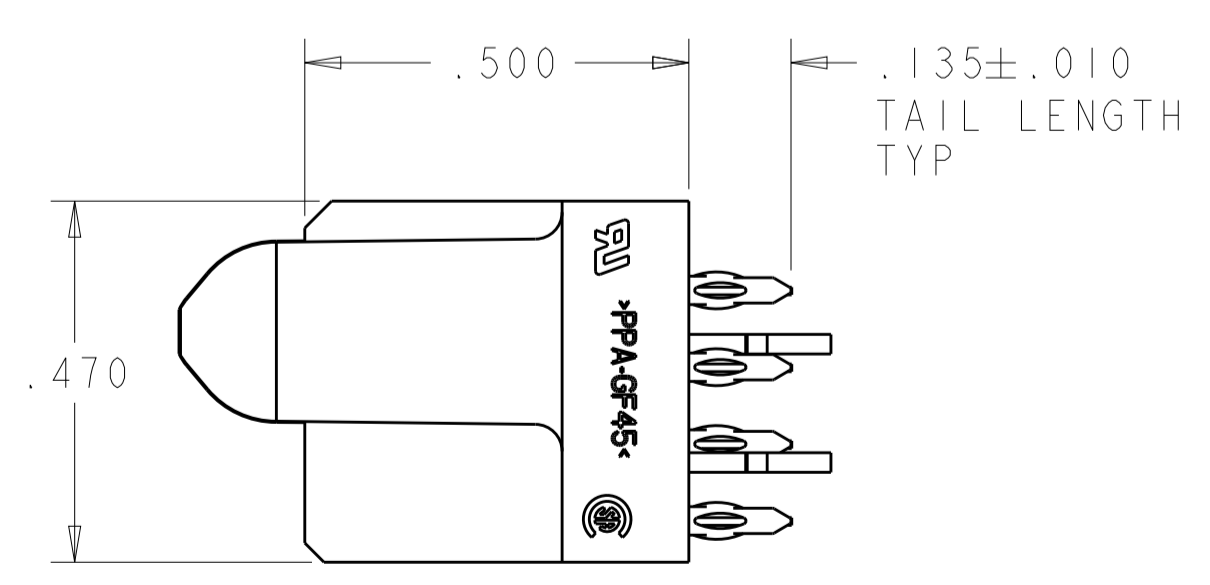
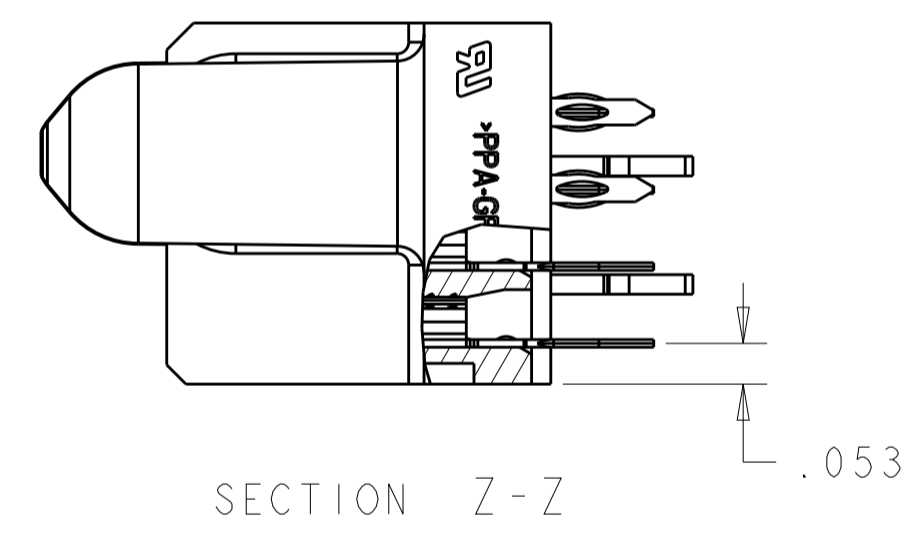


| LOC | | DIST | | REVISIONS | | | |
|-----|-----|-----------------------|-----------|-----------|------|--|--|
| P | LTN | DESCRIPTION | DATE | DMN | APVD | | |
| G7 | | REV PER ECR-09-008079 | 08APR2009 | OL | SY | | |
| H | | REV PER ECR-12-003783 | 28FEB2012 | CZ | SZ | | |
| H2 | | ADD NEW PART -29 | 28JAN2015 | AY | SZ | | |



- 1 OPTIONAL CENTER MODULE, WITH Ø.150 THRU HOLE OR HOLD DOWN FEATURE
- 2 "AMP", PART NUMBER, AND DATE CODE TO BE MARKED IN AREA SHOWN
PARTS UNDER 2.00 LONG MAY BE MARKED ON BOTH SIDES
- 3 MATERIAL: HOUSING - GLASS FILLED HIGH TEMP THERMO PLASTIC, UL94 V-0
SIGNAL CONTACT - HIGH CONDUCTIVITY COPPER ALLOY
POWER CONTACT - HIGH CONDUCTIVITY COPPER ALLOY
- 4 CONTACT PLATING: NOBLE METAL PLATING ON CONTACT FUNCTIONAL
AREA OF POWER AND SIGNAL CONTACTS
- 5 MECHANICAL CONNECTOR KEEP OUT ZONE
- 6 DATUM AND BASIC DIMENSIONS ESTABLISHED BY CUSTOMER
- 7 PCB - ALL HOLE DIAMETERS ARE FINISHED HOLE SIZES
- 8 PCB - .0453±.0010 DRILLED HOLES PLATED WITH .0003 MIN Sn
OVER .001 TO .003 CU PLATING TO ACHIEVE
A .040±.003 DIA HOLE
- 9 VARIABLE DIMENSIONS PLEASE REFER TO TABLE FOR DETAIL.

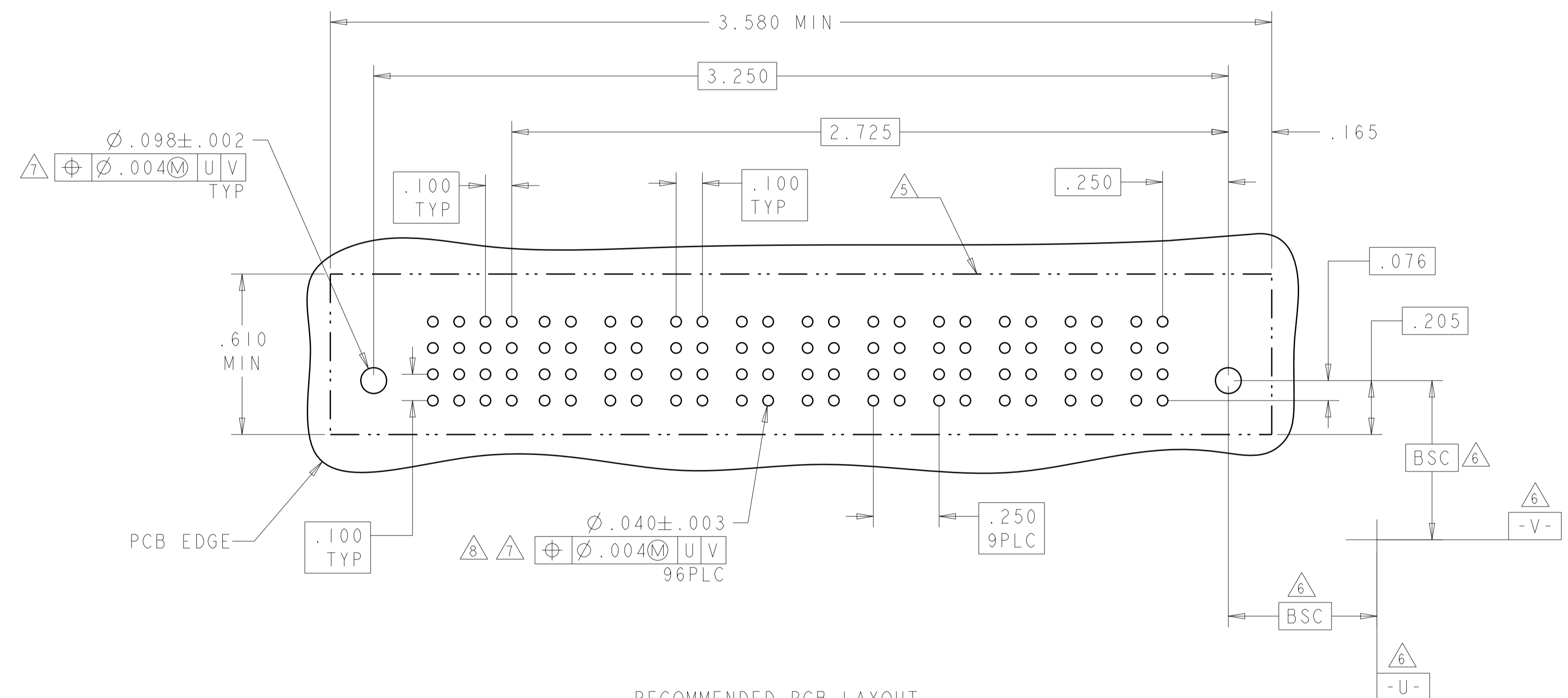


| | | | | |
|--|--|--------------------------------|--|--|
| THIS DRAWING IS A CONTROLLED DOCUMENT. | | DMN R.GRZYBOWSKI 28FEB05 | TE Connectivity | |
| DIMENSIONS: INCHES | | CHK M.PERCHEKKE 28FEB05 | | |
| TOLERANCES UNLESS OTHERWISE SPECIFIED: | | APVD M.PERCHEKKE | NAME VERTICAL RECEPTACLE ASSEMBLY WITH GUIDES MULTI-BEAM XL | |
| 0 PLC ±. 1 PLC ±.01 2 PLC ±.01 3 PLC ±.005 4 PLC ±.0020 ANGLES ±.2° | | PRODUCT SPEC 108-1973 | SIZE A100779 | |
| MATERIAL 3 | | APPLICATION SPEC 114-13038 | RESTRICTED TO C=6450542 | |
| FINISH 4 | | WEIGHT - | SCALE 4:1 SHEET 1 OF 10 REV H2 | |
| CUSTOMER DRAWING | | CUSTOMER DRAWING | | |

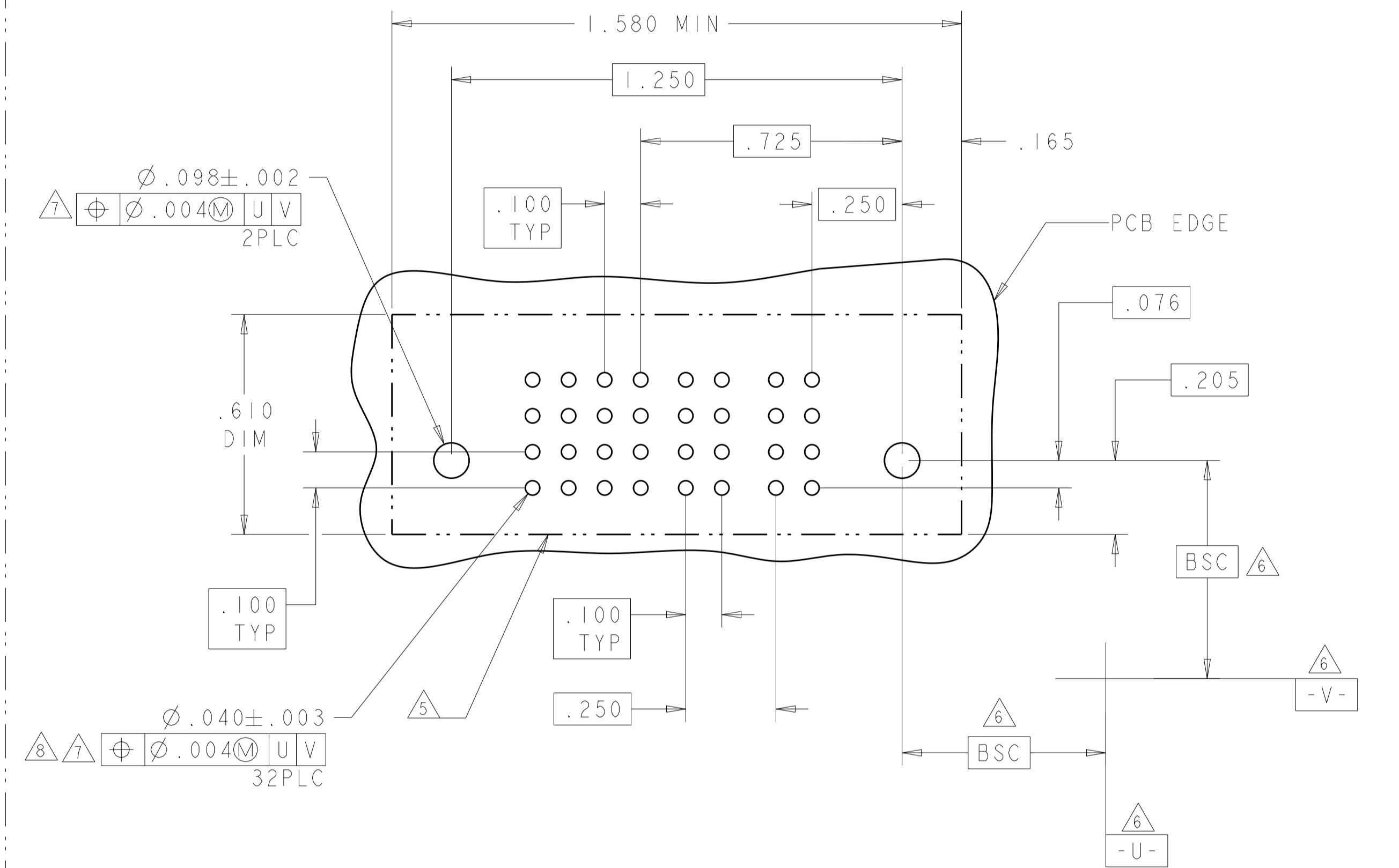
| LOC | | DIST | | REVISIONS | | | |
|-----|----|------|-----|-------------|------|-----|------|
| ES | 00 | P | LTN | DESCRIPTION | DATE | OWN | APVD |
| - | - | - | - | SEE SHEET 1 | - | - | - |

| PART NUMBER | ROWS | SIGNAL | | | | POWER | | | | | | | | | | |
|-------------|------------------|-----------|----|----|----|-------|----|----|----|----|----|----|----|----|----|----|
| | | 4 | 3 | 2 | 1 | P10 | P9 | P8 | P7 | P6 | P5 | P4 | P3 | P2 | P1 | |
| 2-6450542-2 | D C B A | AP | AP | AP | AP | GS | GS | GS | GS | GS | GS | GS | GS | GS | GS | |
| | | HD | | | | | | | | | | | | | | HD |
| | | 10P + 16S | | | | | | | | | | | | | | |

| PART NUMBER | ROWS | SIGNAL | | | | POWER | | |
|-------------|------------------|----------|----|----|----|-------|----|----|
| | | 4 | 3 | 2 | 1 | P2 | P1 | |
| 2-6450542-3 | D C B A | AP | AP | AP | AP | GS | GS | |
| | | HD | | | | | | HD |
| | | 2P + 16S | | | | | | |



RECOMMENDED PCB LAYOUT
6450542-22



RECOMMENDED PCB LAYOUT
6450542-23

| H2 | DIM U | DIM S | DIM W | DIM D | DIM M | DIM L | DIM K | DESCRIPTION | PART NUMBER |
|----|-------|-------|-------|-------|-------|-------|-------|-----------------|-------------|
| | 1.500 | .250 | 1.375 | 1.550 | - | 1.850 | .450 | 4P + 8S | 2-6450542-9 |
| | 4.425 | .200 | 2.200 | 4.475 | - | 4.775 | .450 | 9P + 92S | 2-6450542-7 |
| | 3.350 | .200 | 2.825 | 3.400 | - | 3.700 | .450 | 12HDP + 24S | 2-6450542-5 |
| | 2.825 | .200 | 2.300 | 2.875 | - | 3.175 | .475 | 3ACP + 4P + 24S | 2-6450542-4 |
| | 1.200 | .250 | .875 | 1.250 | - | 1.550 | .450 | 2P + 16S | 2-6450542-3 |
| | 3.200 | .250 | 2.875 | 3.250 | - | 3.550 | .450 | 10P + 16S | 2-6450542-2 |
| | 2.300 | .250 | 1.875 | 2.350 | - | 2.650 | .450 | 6P + 20S | 2-6450542-0 |
| | 1.800 | .250 | 1.275 | 1.850 | - | 2.150 | .450 | 4P + 24S | 1-6450542-9 |
| | 2.900 | .250 | 2.375 | 2.950 | - | 3.250 | .450 | 8P + 24S | 1-6450542-8 |
| | 2.100 | .250 | 1.375 | 2.150 | - | 2.450 | .450 | 4P + 32S | 1-6450542-7 |
| | 2.100 | .250 | 1.875 | 2.150 | - | 2.450 | .450 | 6P + 12S | 1-6450542-6 |
| | 2.900 | .200 | 2.425 | 3.000 | - | 3.300 | .450 | 10HDP + 24S | 1-6450542-5 |
| | 2.000 | .250 | .875 | - | - | 2.350 | .450 | 2P + 48S | 1-6450542-4 |
| | 5.900 | .250 | 5.375 | 5.950 | - | 6.250 | .450 | 20P + 24S | 1-6450542-2 |
| | 1.400 | .250 | .875 | 1.450 | - | 1.750 | .450 | 2P + 24S | 1-6450542-1 |
| | 1.100 | - | .575 | 1.150 | - | 1.450 | .425 | 1P + 24S | 1-6450542-0 |
| | 4.425 | .250 | 3.875 | 4.475 | - | 4.775 | .450 | 14P + 24S | 6450542-9 |
| | 3.050 | .250 | 2.125 | 3.100 | - | 3.400 | .450 | 7P + 40S | 6450542-8 |
| | 3.800 | - | 3.550 | 3.850 | - | 4.150 | .475 | 11P + 12S | 6450542-4 |
| | 3.800 | - | 3.550 | 3.850 | - | 4.150 | .475 | 11P + 12S | 6450542-3 |
| | 3.000 | .250 | 2.375 | 3.050 | - | 3.350 | .450 | 8P + 28S | 6450542-2 |
| | 1.600 | .250 | 1.375 | 1.650 | - | 1.950 | .450 | 4P + 12S | 6450542-1 |

THIS DRAWING IS A CONTROLLED DOCUMENT.

DIMENSIONS: INCHES

TOLERANCES UNLESS OTHERWISE SPECIFIED:

| | |
|--------|--------|
| 0 PLC | ± |
| 1 PLC | ±.01 |
| 2 PLC | ±.01 |
| 3 PLC | ±.005 |
| 4 PLC | ±.002 |
| ANGLES | ±.0020 |

MATERIAL: . . . FINISH: . . .

APPROVED: M. PERCHERKE

PRODUCT SPEC: 108-1973

APPLICATION SPEC: 114-13038

WEIGHT: . . .

CUSTOMER DRAWING

SCALE: 4:1

SHEET 2 OF 10

REV H2

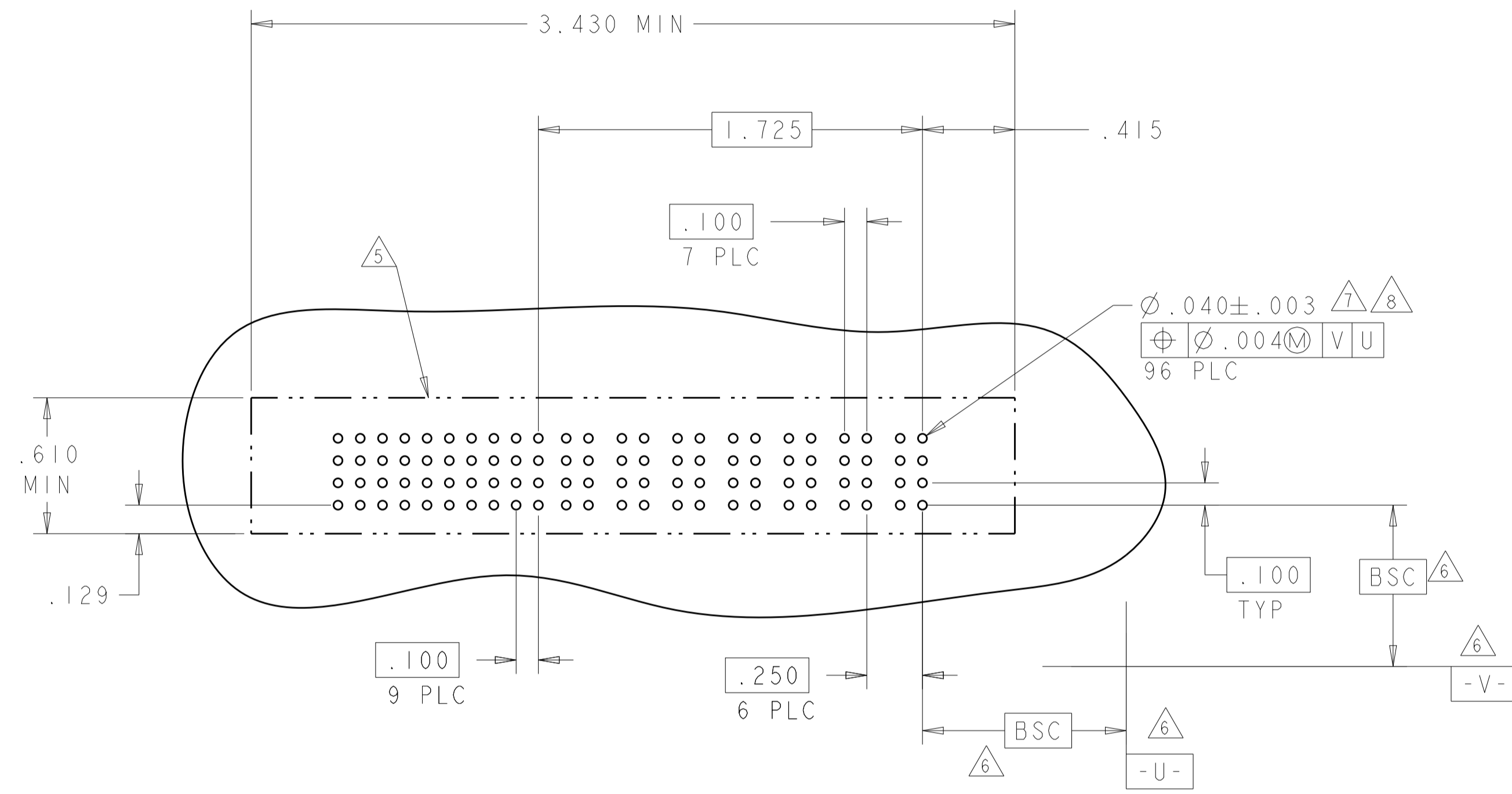
STE TE Connectivity

VERTICAL RECEPTACLE ASSEMBLY WITH GUIDES MULTI-BEAM XL

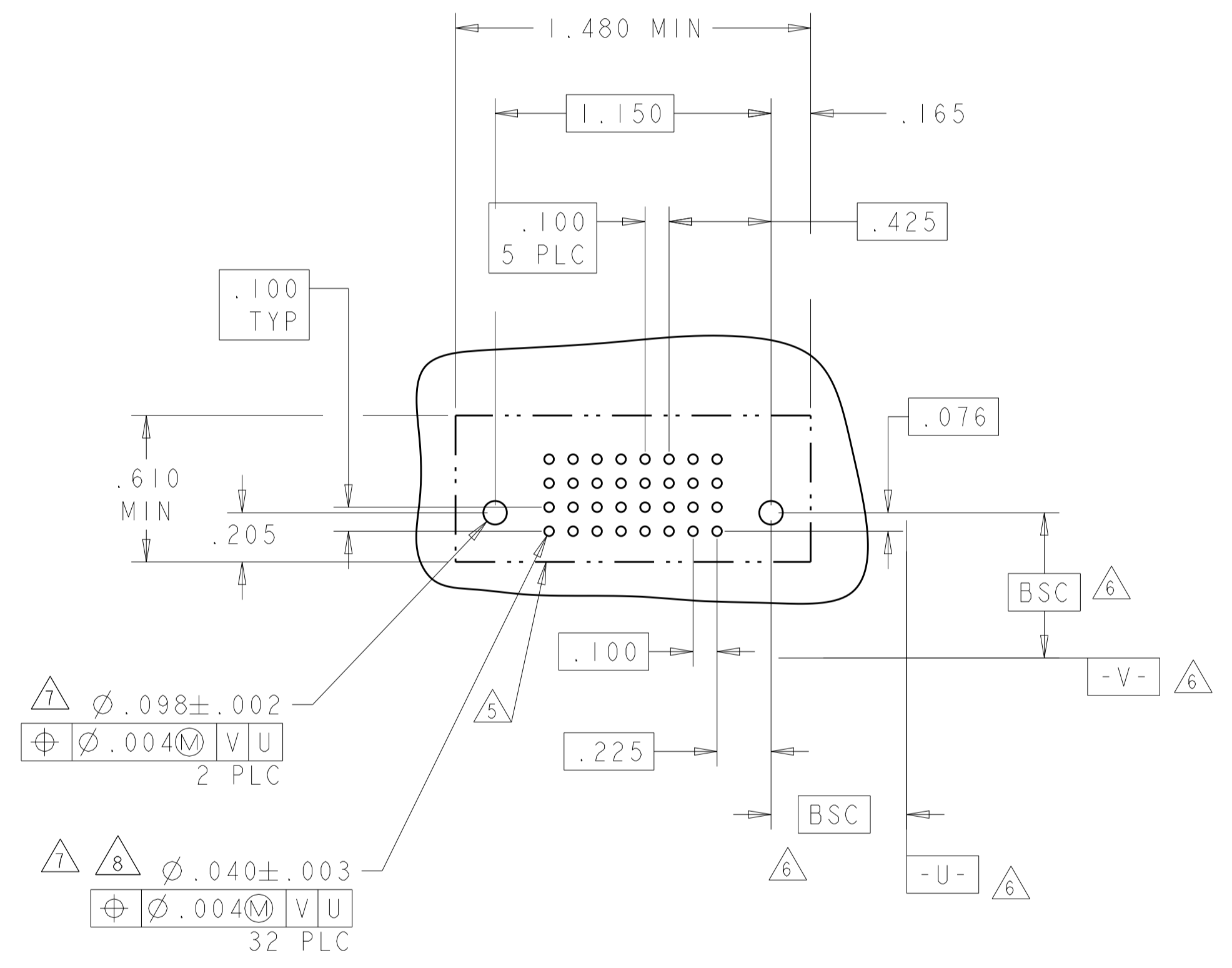
SIZE: A100779 C=6450542

| LOC | DIST | REVISIONS | | | |
|-----|------|-----------|-------------|----|------|
| ES | 00 | REV | DATE | BY | APPV |
| | | 1 | SEE SHEET 1 | | |

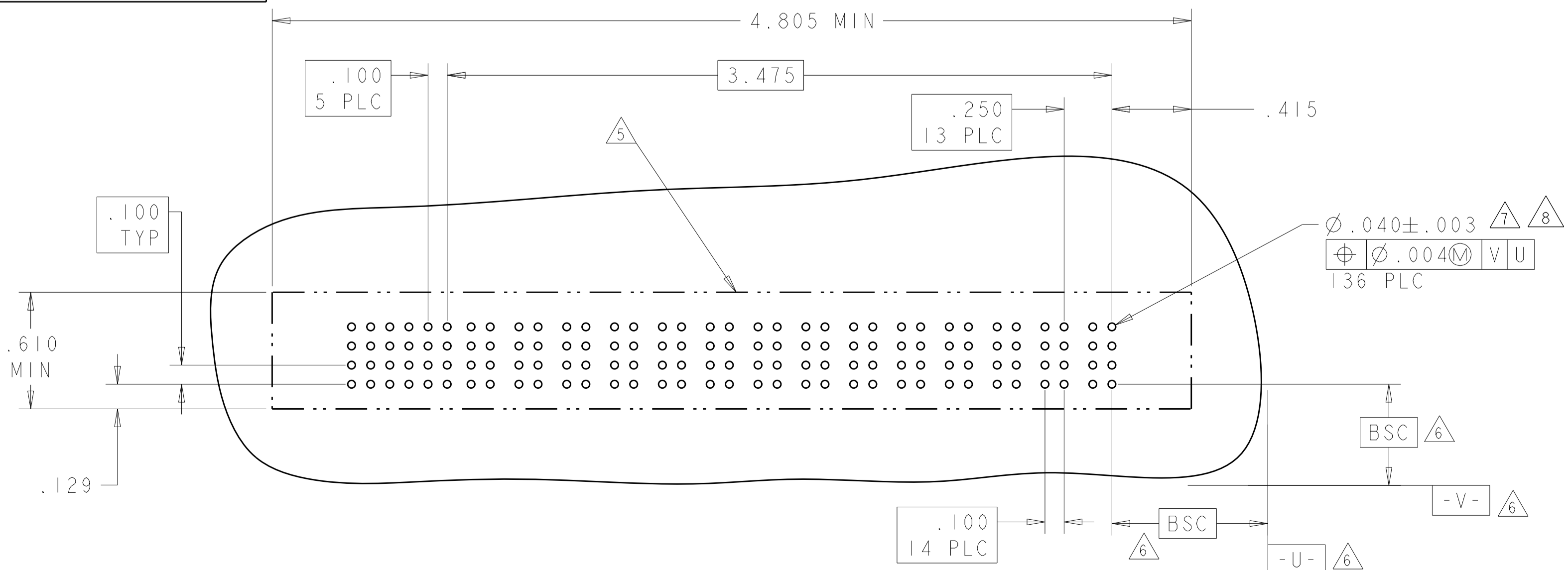
| PART NUMBER | ROWS | SIGNAL | | | | | | | | | | POWER | | | | | | |
|-------------|------------------|--------|----|----|----|----|----|----|----|----|----|-------|----|----|----|----|----|----|
| | | 10 | 9 | 8 | 7 | 6 | 5 | 4 | 3 | 2 | 1 | P7 | P6 | P5 | P4 | P3 | P2 | P1 |
| 6450542-8 | D C B A | AP | AP | AP | AP | AP | AP | AP | AP | AP | AP | GP | GP | GP | GP | GP | GP | GP |
| | | AP | AP | AP | AP | AP | AP | AP | AP | AP | AP | GP | GP | GP | GP | GP | GP | GP |
| | | AP | AP | AP | AP | AP | AP | AP | AP | AP | AP | GP | GP | GP | GP | GP | GP | GP |
| | | AP | AP | AP | AP | AP | AP | AP | AP | AP | AP | GP | GP | GP | GP | GP | GP | GP |
| 7P + 40S | | | | | | | | | | | | | | | | | | |



| PART NUMBER | ROWS | SIGNAL | | | | | POWER | |
|-------------|------------------|--------|----|----|----|----|-------|----|
| | | 6 | 5 | 4 | 3 | 2 | 1 | P1 |
| 1-6450542-0 | D C B A | AP | AP | AP | AP | AP | AP | GP |
| | | AP | AP | AP | AP | AP | AP | GP |
| | | AP | AP | AP | AP | AP | AP | GP |
| | | AP | AP | AP | AP | AP | AP | GP |
| IP + 24S | | | | | | | | |



| PART NUMBER | ROWS | SIGNAL | | | | | | POWER | | | | | | | | | | | | | | |
|-------------|------------------|--------|----|----|----|----|----|-------|-----|-----|-----|-----|----|----|----|----|----|----|----|----|----|----|
| | | 6 | 5 | 4 | 3 | 2 | 1 | P14 | P13 | P12 | P11 | P10 | P9 | P8 | P7 | P6 | P5 | P4 | P3 | P2 | P1 | |
| 6450542-9 | D C B A | AP | AP | AP | AP | AP | AP | GP | GP | GP | GP | GP | GP | GP | GP | GP | GP | GP | GP | GP | GP | GP |
| | | AP | AP | AP | AP | AP | AP | GP | GP | GP | GP | GP | GP | GP | GP | GP | GP | GP | GP | GP | GP | GP |
| | | AP | AP | AP | AP | AP | AP | GP | GP | GP | GP | GP | GP | GP | GP | GP | GP | GP | GP | GP | GP | GP |
| | | AP | AP | AP | AP | AP | AP | GP | GP | GP | GP | GP | GP | GP | GP | GP | GP | GP | GP | GP | GP | GP |
| 14P + 24S | | | | | | | | | | | | | | | | | | | | | | |



THIS DRAWING IS A CONTROLLED DOCUMENT. DWN: R. GRZYBOWSKI 28FEB05
 CHK: M. PERCHERKE 28FEB05
 APVD: M. PERCHERKE

STE TE Connectivity

VERTICAL RECEPTACLE ASSEMBLY WITH GUIDES MULTI-BEAM XL

SIZE: CAGE CODE: DRAWING NO: RESTRICTED TO: A100779C=6450542

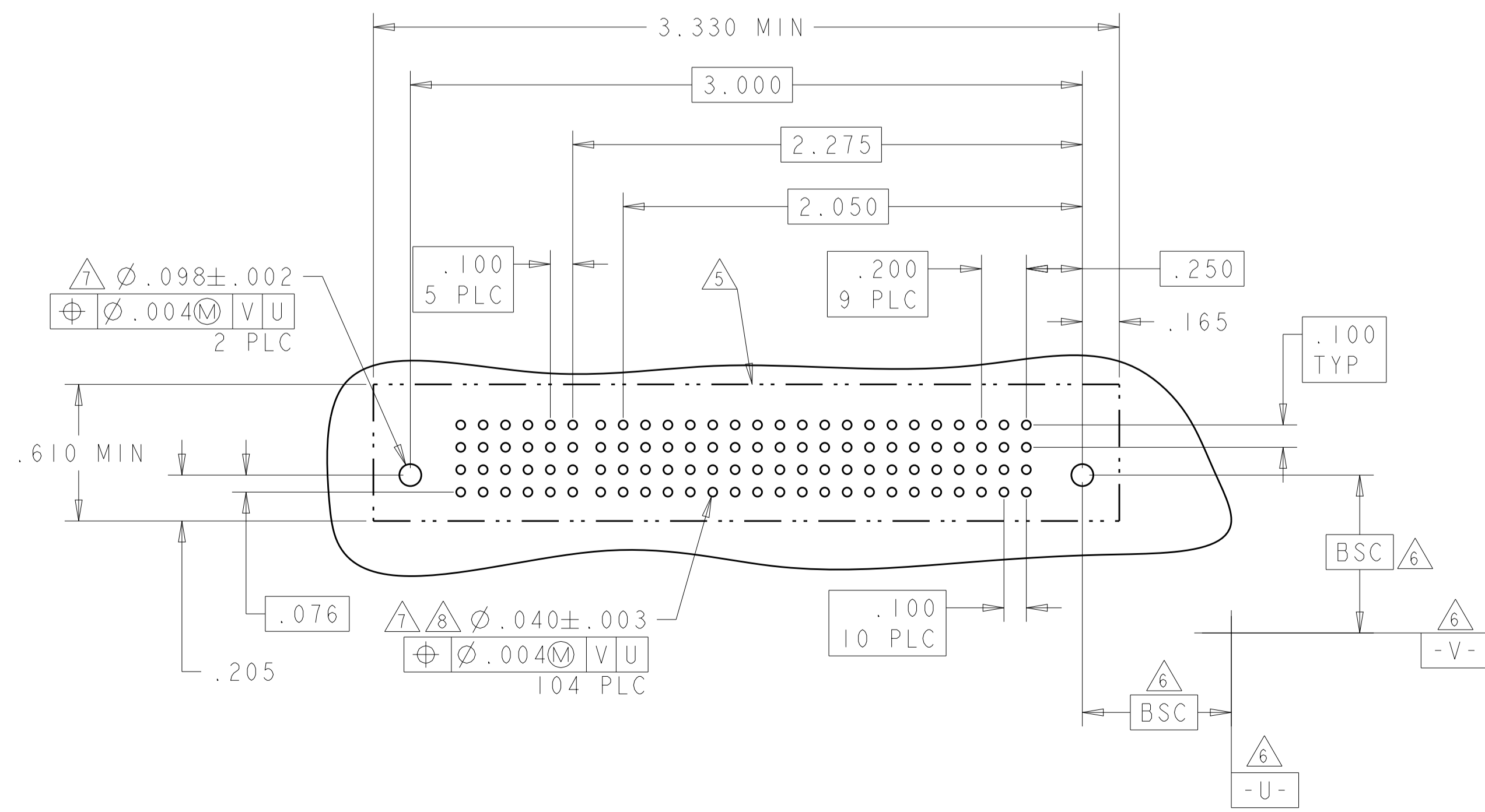
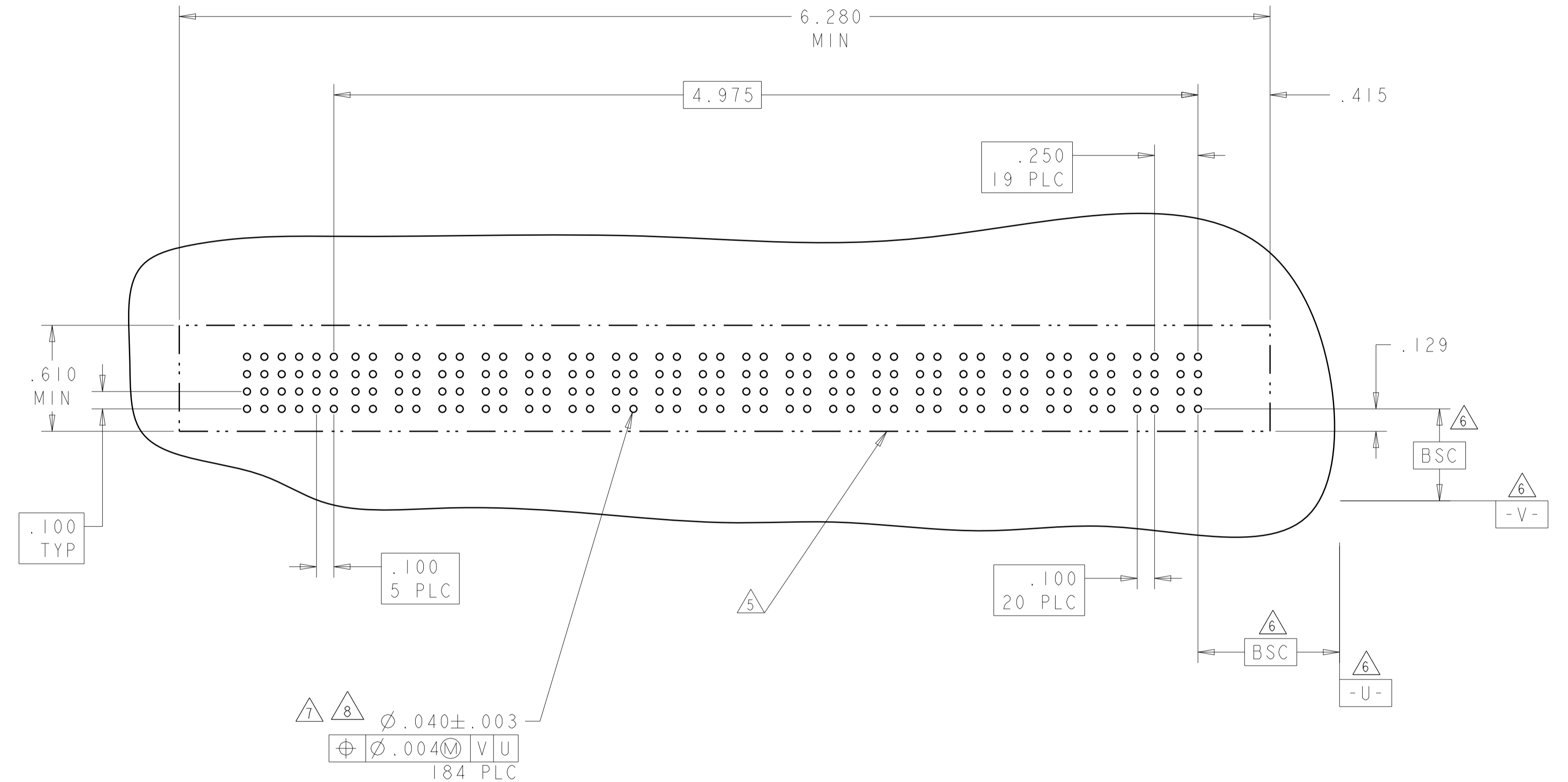
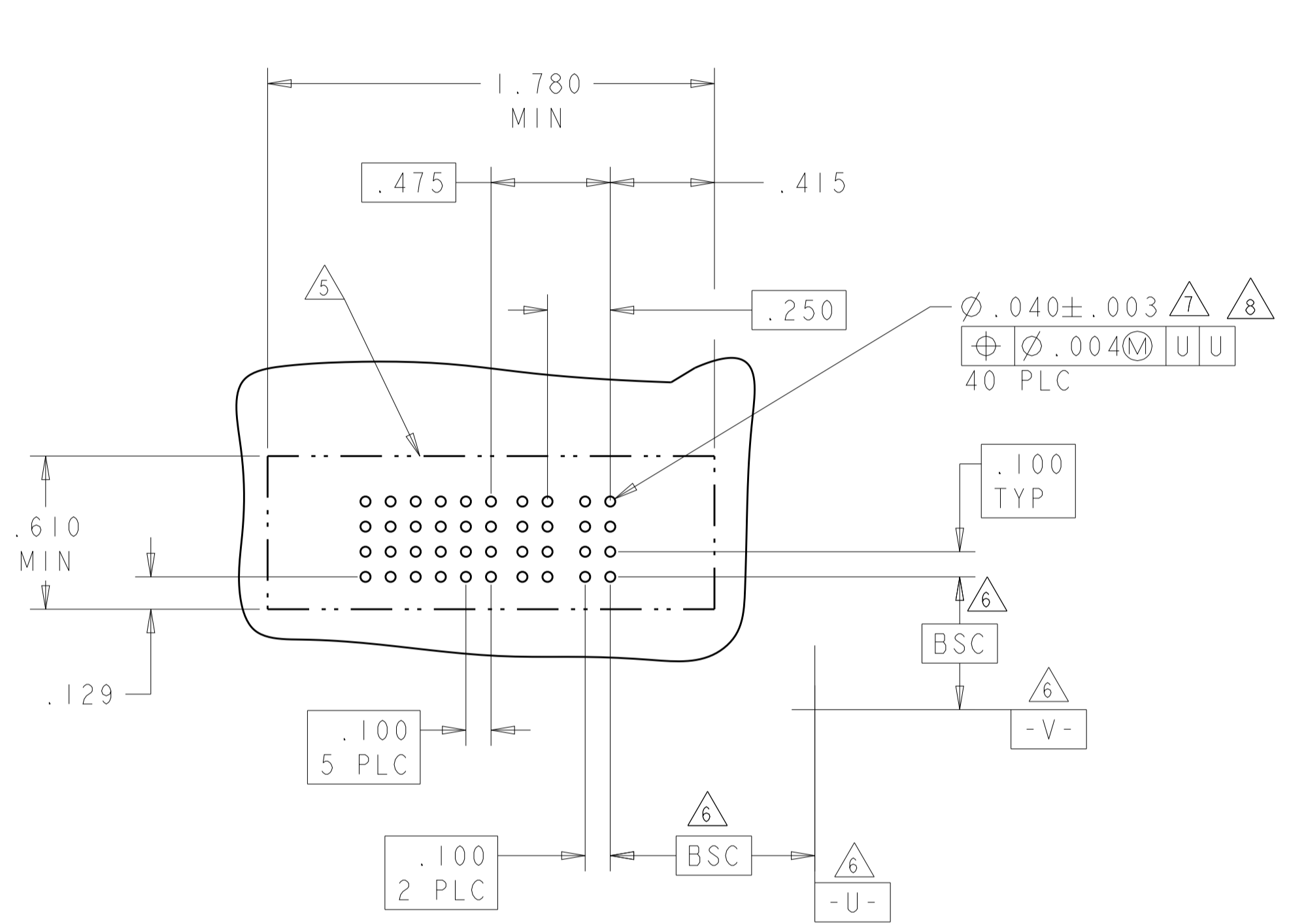
CUSTOMER DRAWING SCALE: 4:1 SHEET 4 OF 10 REV: H2

| LOC | DIST | REV | DATE | BY | APPV |
|-----|------|-----|------|----|------|
| ES | 00 | | | | |

| REVISIONS | | DATE | BY | APPV |
|-----------|-------------|------|----|------|
| 1 | SEE SHEET 1 | | | |

| PART NUMBER | ROWS | SIGNAL | | | | | | POWER | |
|-------------|------|--------|----|----|----|----|----|-------|----|
| | | 6 | 5 | 4 | 3 | 2 | 1 | P2 | P1 |
| 1-6450542-1 | D | AP | AP | AP | AP | AP | AP | GP | GP |
| | C | AP | AP | AP | AP | AP | AP | | |
| | B | AP | AP | AP | AP | AP | AP | | |
| | A | AP | AP | AP | AP | AP | AP | | |
| 2P + 24S | | | | | | | | | |

| PART NUMBER | ROWS | SIGNAL | | | | | | POWER | | | | | | | | | | | | | | | | | | | | |
|-------------|------|--------|----|----|----|----|----|-------|-----|-----|-----|-----|-----|-----|-----|-----|-----|-----|----|----|----|----|----|----|----|----|----|--|
| | | 6 | 5 | 4 | 3 | 2 | 1 | P20 | P19 | P18 | P17 | P16 | P15 | P14 | P13 | P12 | P11 | P10 | P9 | P8 | P7 | P6 | P5 | P4 | P3 | P2 | P1 | |
| 1-6450542-2 | D | AP | AP | AP | AP | AP | AP | GP | GP | GP | GP | GP | GP | GP | GP | GP | GP | GP | GP | GP | GP | GP | GP | GP | GP | GP | GP | |
| | C | AP | AP | AP | AP | AP | AP | | | | | | | | | | | | | | | | | | | | | |
| | B | AP | AP | AP | AP | AP | AP | | | | | | | | | | | | | | | | | | | | | |
| | A | AP | AP | AP | AP | AP | AP | | | | | | | | | | | | | | | | | | | | | |
| 20P + 24S | | | | | | | | | | | | | | | | | | | | | | | | | | | | |



| PART NUMBER | ROWS | SIGNAL | | | | | | POWER | | | | | | | | | |
|-------------|------|--------|----|----|----|----|----|-------|----|----|----|----|----|----|----|----|----|
| | | 6 | 5 | 4 | 3 | 2 | 1 | P10 | P9 | P8 | P7 | P6 | P5 | P4 | P3 | P2 | P1 |
| 1-6450542-5 | D | AP | AP | AP | AP | AP | AP | GP | GP | GP | GP | GP | GP | GP | GP | GP | GP |
| | C | AP | AP | AP | AP | AP | AP | | | | | | | | | | |
| | B | AP | AP | AP | AP | AP | AP | | | | | | | | | | |
| | A | AP | AP | AP | AP | AP | AP | | | | | | | | | | |
| 10HDP + 24S | | | | | | | | | | | | | | | | | |

THIS DRAWING IS A CONTROLLED DOCUMENT.

DIMENSIONS: INCHES

TOLERANCES UNLESS OTHERWISE SPECIFIED:

| | |
|--------|-------|
| 0 PLC | ± |
| 1 PLC | ±.01 |
| 2 PLC | ±.01 |
| 3 PLC | ±.005 |
| 4 PLC | ±.002 |
| ANGLES | ±.020 |

MATERIAL: - FINISH: -

OWN: R. GRZYBOWSKI 28FEB95
CHK: M. PERCHERKE 28FEB05
APVD: M. PERCHERKE

NAME: VERTICAL RECEPTACLE ASSEMBLY WITH GUIDES MULTI-BEAM XL

PRODUCT SPEC: 108-1973
APPLICATION SPEC: 114-13038

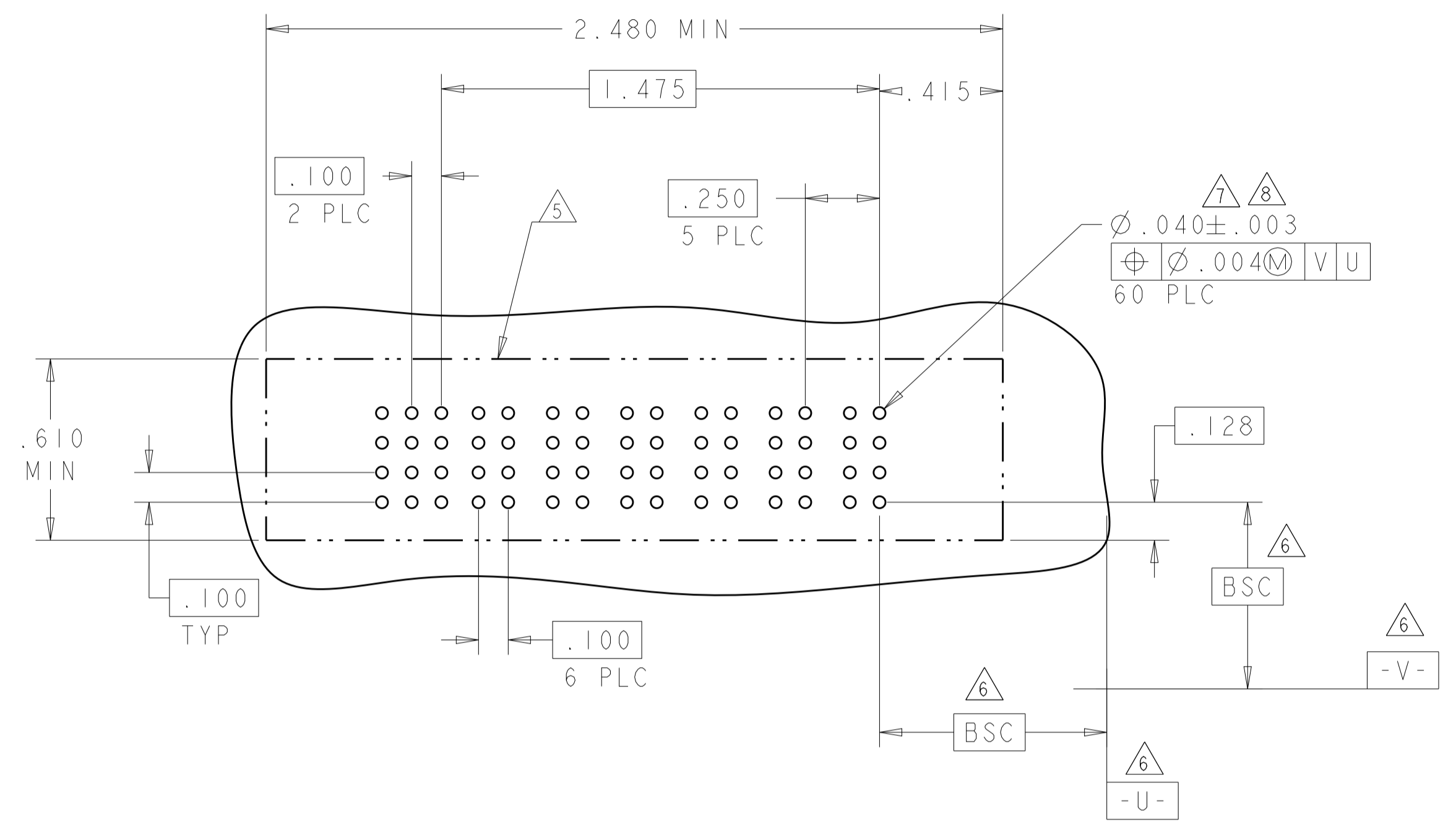
SIZE: A1 00779 C=6450542
WEIGHT: -
CUSTOMER DRAWING

SCALE: 4:1 SHEET 5 OF 10 REV: H2

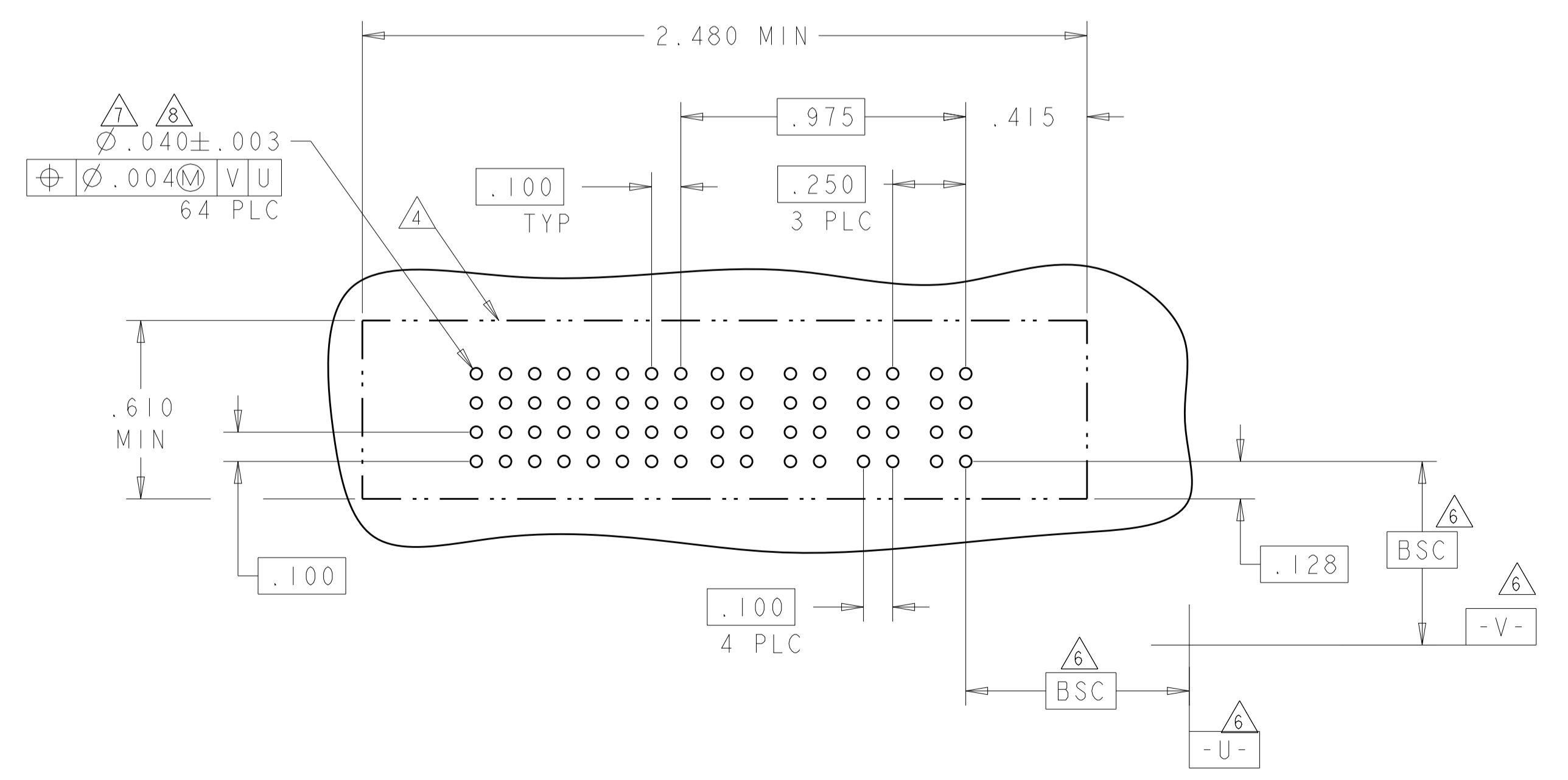
RESTRICTED TO: -

| LOC | | DIST | | REVISIONS | | | |
|-----|----|------|-----|-------------|------|-----|------|
| ES | 00 | P | LTN | DESCRIPTION | DATE | OWN | APVD |
| - | - | - | - | SEE SHEET 1 | - | - | - |

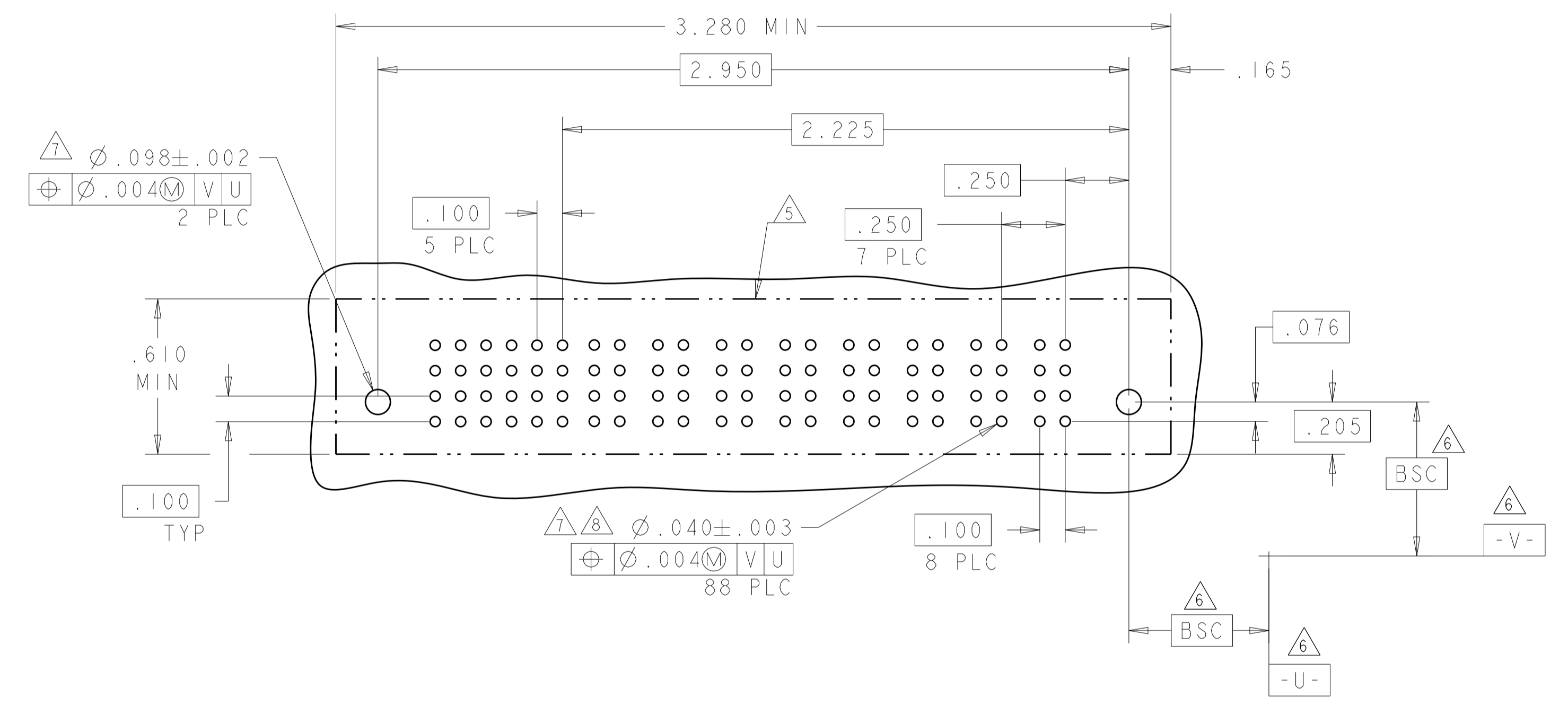
| ASSY PART NUMBER | ROWS | SIGNAL | | | | POWER | | | | |
|------------------|------------------|--------|----|----|----|-------|----|----|----|----|
| | | 3 | 2 | 1 | P6 | P5 | P4 | P3 | P2 | P1 |
| 1-6450542-6 | D C B A | AP | AP | AP | GS | GS | GS | GS | GS | GS |
| | | AP | AP | AP | | | | | | |
| | | AP | AP | AP | | | | | | |
| | | AP | AP | AP | | | | | | |
| 6P + 12S | | | | | | | | | | |



| ASSY PART NUMBER | ROWS | SIGNAL | | | | | | | | POWER | | | |
|------------------|------------------|--------|----|----|----|----|----|----|----|-------|----|----|----|
| | | 8 | 7 | 6 | 5 | 4 | 3 | 2 | 1 | P4 | P3 | P2 | P1 |
| 1-6450542-7 | D C B A | AP | AP | AP | AP | AP | AP | AP | AP | GS | GS | GS | GS |
| | | AP | AP | AP | AP | AP | AP | AP | AP | | | | |
| | | AP | AP | AP | AP | AP | AP | AP | AP | | | | |
| | | AP | AP | AP | AP | AP | AP | AP | AP | | | | |
| 4P + 32S | | | | | | | | | | | | | |



| PART NUMBER | ROWS | SIGNAL | | | | | | POWER | | | | | | | |
|-------------|------------------|--------|----|----|----|----|----|-------|----|----|----|----|----|----|----|
| | | 6 | 5 | 4 | 3 | 2 | 1 | P8 | P7 | P6 | P5 | P4 | P3 | P2 | P1 |
| 1-6450542-8 | D C B A | AP | AP | AP | AP | AP | AP | GP | GP | GP | GP | GP | GP | GP | GP |
| | | AP | AP | AP | AP | AP | AP | | | | | | | | |
| | | AP | AP | AP | AP | AP | AP | | | | | | | | |
| | | AP | AP | AP | AP | AP | AP | | | | | | | | |
| 8P + 24S | | | | | | | | | | | | | | | |



THIS DRAWING IS A CONTROLLED DOCUMENT.

OWN: R. GRZYBOWSKI 28FEB95
 CHK: M. PERCHERKE 28FEB05
 APVD: M. PERCHERKE

STE TE Connectivity

NAME: VERTICAL RECEPTACLE ASSEMBLY WITH GUIDES MULTI-BEAM XL

PRODUCT SPEC: 108-1973
 APPLICATION SPEC: 114-13038

SIZE: A100779 C=6450542
 SCALE: 4:1 SHEET 6 OF 10 REV: H2

MATERIAL: - FINISH: - WEIGHT: -

CUSTOMER DRAWING

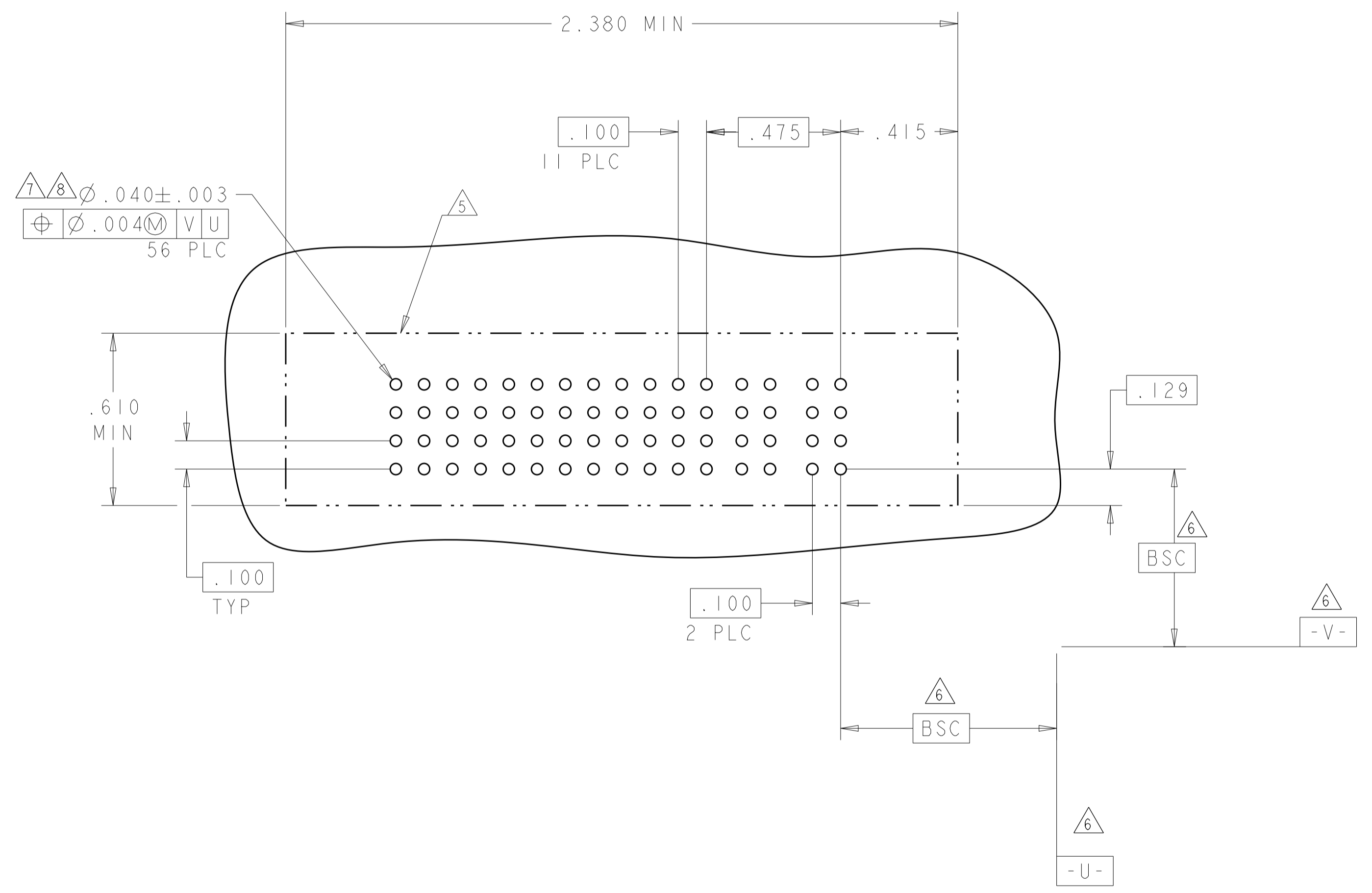
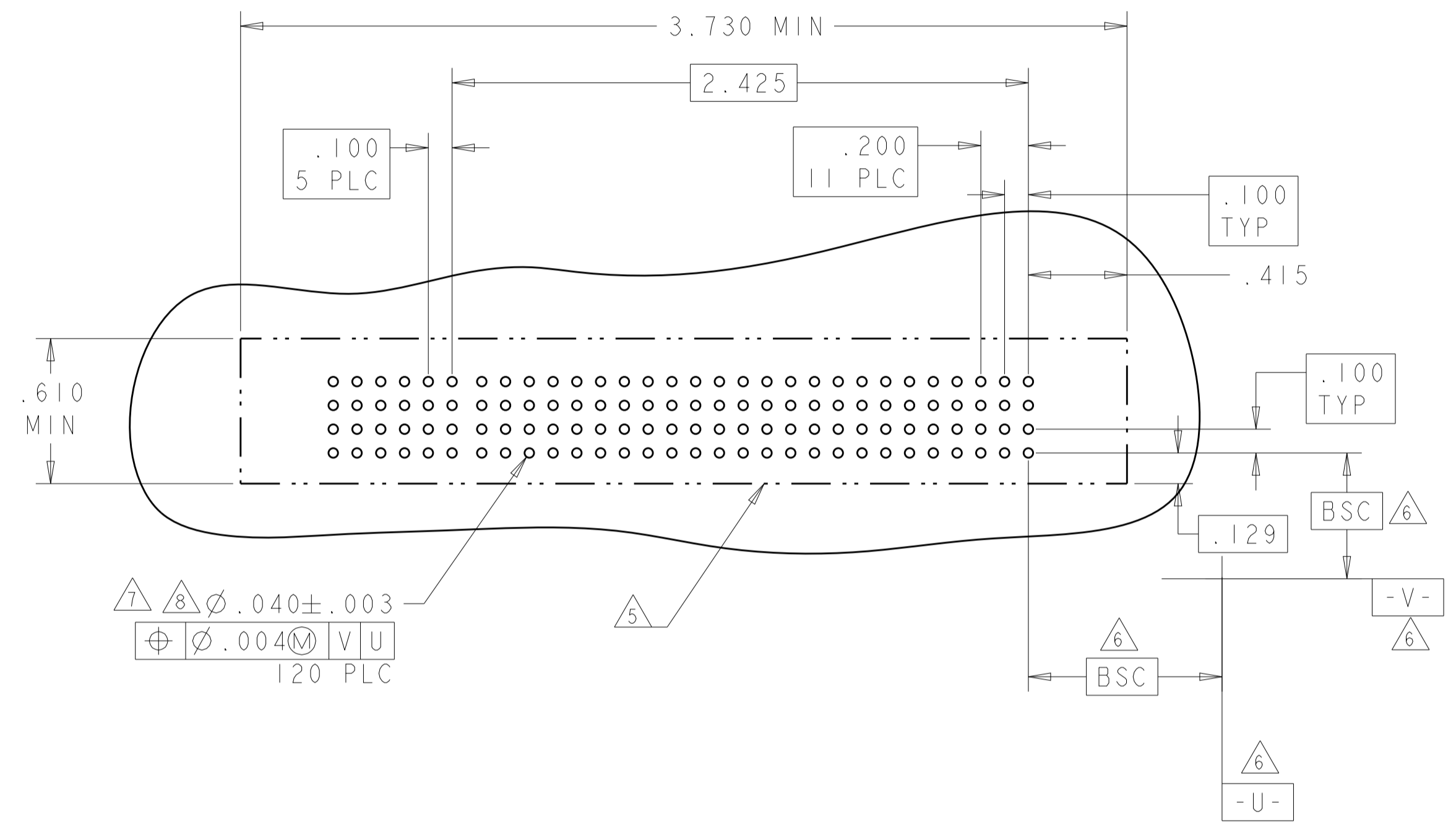
| LOC | DIST | REVISIONS | | | | | |
|-----|------|-----------|-----|-------------|------|-----|------|
| ES | 00 | P | LTN | DESCRIPTION | DATE | OWN | APVD |
| | | - | | SEE SHEET 1 | | | |

| PART NUMBER | ROWS | SIGNAL | | | | | | POWER | | | | | | | | | | |
|-------------|------------------|--------|----|----|----|----|----|-------|-----|-----|-----|-----|-----|-----|-----|-----|-----|-----|
| | | 6 | 5 | 4 | 3 | 2 | 1 | P12 | P11 | P10 | P09 | P08 | P07 | P06 | P05 | P04 | P03 | P02 |
| 2-6450542-5 | D C B A | AP | AP | AP | AP | AP | AP | GS | GS | GS | GS | GS | GS | GS | GS | GS | GS | GS |
| | | AP | AP | AP | AP | AP | AP | GS | GS | GS | GS | GS | GS | GS | GS | GS | GS | GS |
| | | AP | AP | AP | AP | AP | AP | GS | GS | GS | GS | GS | GS | GS | GS | GS | GS | GS |

12HDP + 24S

| ASSY PART NUMBER | ROWS | SIGNAL | | | | | | | | | | | | POWER | | | |
|------------------|------------------|--------|----|----|----|----|----|----|----|----|----|----|----|-------|----|----|----|
| | | 12 | 11 | 10 | 9 | 8 | 7 | 6 | 5 | 4 | 3 | 2 | 1 | P2 | P1 | | |
| 1-6450542-4 | D C B A | AP | AP | AP | AP | AP | AP | AP | AP | AP | AP | AP | AP | AP | AP | GS | GS |
| | | AP | AP | AP | AP | AP | AP | AP | AP | AP | AP | AP | AP | AP | AP | GS | GS |
| | | AP | AP | AP | AP | AP | AP | AP | AP | AP | AP | AP | AP | AP | AP | GS | GS |

2P + 48S



THIS DRAWING IS A CONTROLLED DOCUMENT. DWN: R. GRZYBOWSKI 28FEB95
CHK: M. PERCHERKE 28FEB05

STE TE Connectivity

NAME: VERTICAL RECEPTACLE ASSEMBLY WITH GUIDES MULTI-BEAM XL

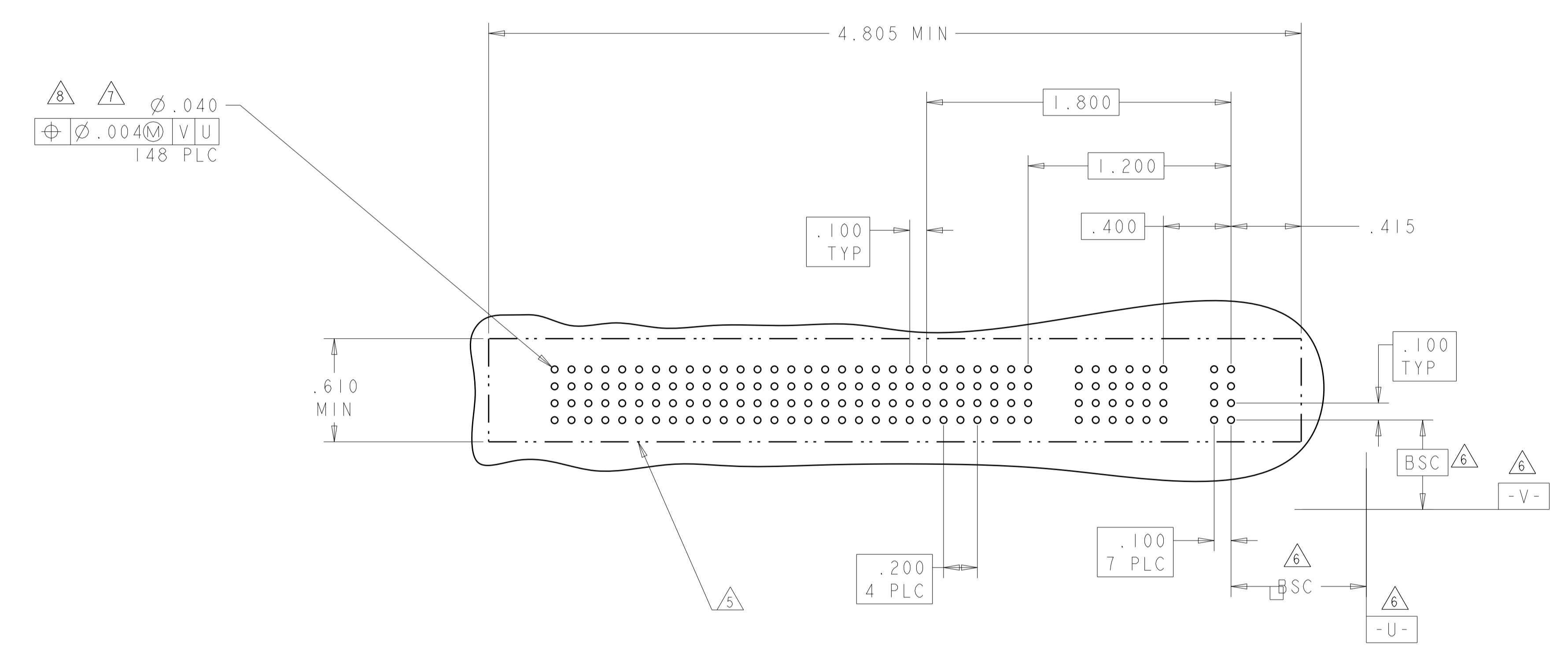
PRODUCT SPEC: 108-1973
APPLICATION SPEC: 114-13038

SIZE: A1 00779 C=6450542
SCALE: 4:1 SHEET 8 OF 10 REV H2

CUSTOMER DRAWING

| LOC | | DIST | | REVISIONS | | | | |
|-----|----|------|-----|-------------|------|-----|------|--|
| ES | 00 | P | LTN | DESCRIPTION | DATE | DWN | APVD | |
| | | - | | SEE SHEET 1 | | | | |

| PART NUMBER | ROWS | SIGNAL | | | | | | | | | | | | | | | | POWER | | | | | | | | | | | | | | | |
|-------------|------------------|--------|----|----|----|----|----|----|----|----|----|----|----|----|----|----|----|-------|----|---|---|---|----|----|----|----|----|----|----|----|----|----|----|
| | | 23 | 22 | 21 | 20 | 19 | 18 | 17 | 16 | 15 | 14 | 13 | 12 | 11 | 10 | 9 | 8 | 7 | 6 | 5 | 4 | 3 | 2 | 1 | P9 | P8 | P7 | P6 | P5 | P4 | P3 | P2 | P1 |
| 2-6450542-7 | D C B A | AP | AP | AP | AP | AP | AP | AP | AP | AP | AP | AP | AP | AP | AP | AP | AP | AP | AP | | | | AP | AP | GS | GS | GS | | GS | GS | GS | | GP |
| | | AP | AP | AP | AP | AP | AP | AP | AP | AP | AP | AP | AP | AP | AP | AP | AP | AP | AP | | | | AP | AP | | | | | | | | | |
| | | AP | AP | AP | AP | AP | AP | AP | AP | AP | AP | AP | AP | AP | AP | AP | AP | AP | AP | | | | AP | AP | | | | | | | | | |
| | | AP | AP | AP | AP | AP | AP | AP | AP | AP | AP | AP | AP | AP | AP | AP | AP | AP | AP | | | | AP | AP | | | | | | | | | |
| 9P + 92S | | | | | | | | | | | | | | | | | | | | | | | | | | | | | | | | | |



THIS DRAWING IS A CONTROLLED DOCUMENT. DWN: R. GRZYBOWSKI 28FEB95
 CHK: M. PERCHERKE 28FEB05

STE TE Connectivity

NAME: VERTICAL RECEPTACLE ASSEMBLY WITH GUIDES MULTI-BEAM XL

PRODUCT SPEC: 108-1973
 APPLICATION SPEC: 114-13038

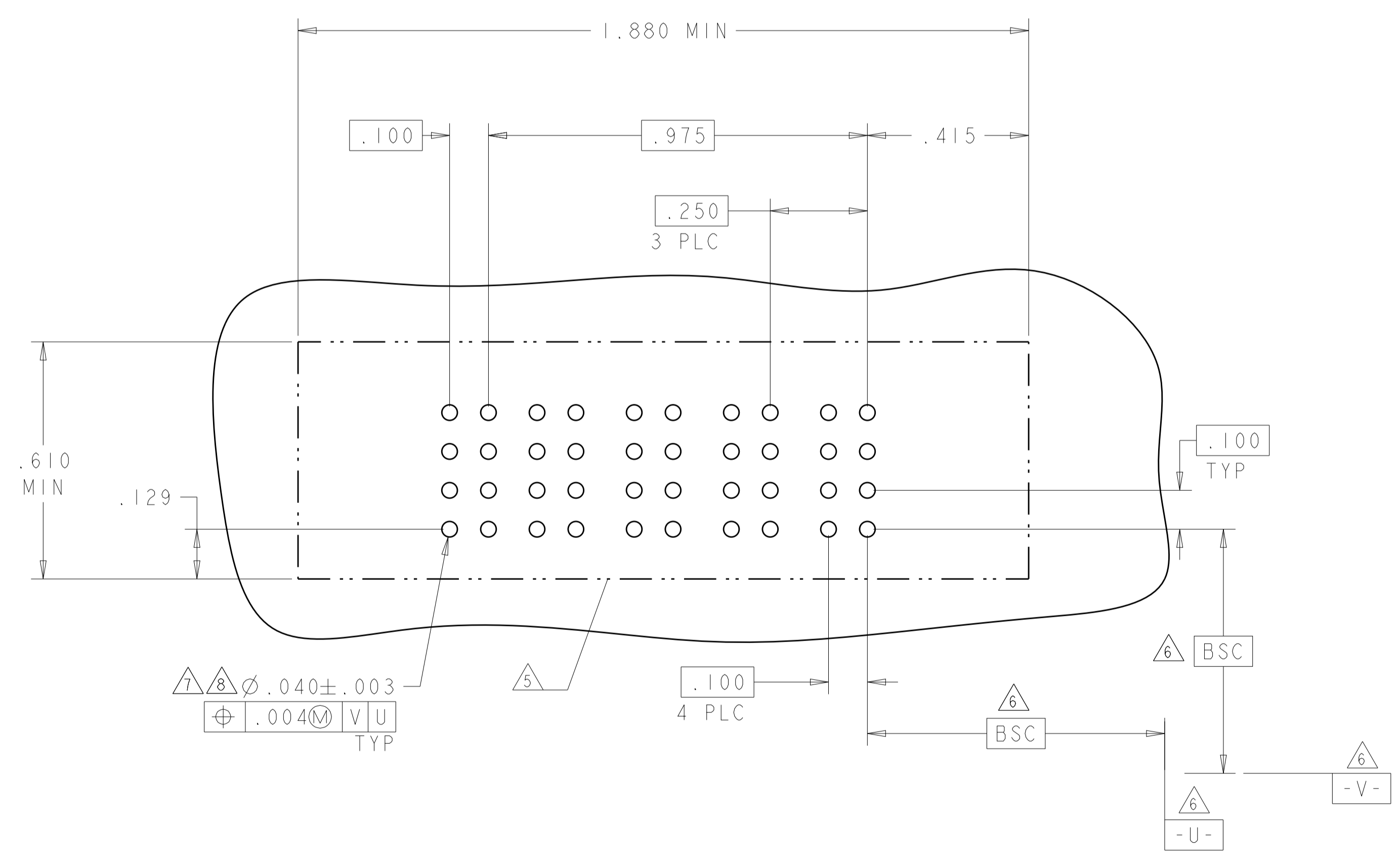
SIZE: A1 CAGE CODE: 6450542 DRAWING NO: 100779
 WEIGHT: -

MATERIAL: - FINISH: -

CUSTOMER DRAWING SCALE: 4:1 SHEET 9 OF 10 REV: H2

| LOC | DIST | REVISIONS | | | |
|-----|------|-------------|------|-----|------|
| P | LTN | DESCRIPTION | DATE | DWN | APVD |
| - | - | SEE SHEET 1 | - | - | - |
| | | | | | |
| | | | | | |

| PART NUMBER | ROWS | SIGNAL | | POWER | | | |
|-------------|------------------|--------|----|-------|----|----|----|
| | | 2 | 1 | P4 | P3 | P2 | P1 |
| 2-6450542-9 | D C B A | AP | AP | GP | GP | GP | GP |
| | | AP | AP | | | | |
| | | AP | AP | | | | |
| | | AP | AP | | | | |
| 4P + 8S | | | | | | | |



| | | | | |
|--|--|---|--------------------------|---|
| THIS DRAWING IS A CONTROLLED DOCUMENT. | | DWN R. GRZYBOWSKI CHK M. PERCHERKE | 28FEB95 28FEB05 | TE Connectivity NAME VERTICAL RECEPTACLE ASSEMBLY WITH GUIDES MULTI-BEAM XL |
| DIMENSIONS: INCHES | TOLERANCES UNLESS OTHERWISE SPECIFIED: | APVD M. PERCHERKE | PRODUCT SPEC 108-1973 | |
| 0 PLC ±. 1 PLC ±.01 2 PLC ±.01 3 PLC ±.005 4 PLC ±.0020 ANGLES ±.2° | FINISH - | APPLICATION SPEC 114-13038 | RESTRICTED TO | |
| MATERIAL - | WEIGHT - | CAGE CODE A100779 | DRAWING NO C=6450542 | SCALE 4:1 SHEET 10 OF 10 REV H2 |
| CUSTOMER DRAWING | | | | |

Компания «Life Electronics» занимается поставками электронных компонентов импортного и отечественного производства от производителей и со складов крупных дистрибьюторов Европы, Америки и Азии.

С конца 2013 года компания активно расширяет линейку поставок компонентов по направлению коаксиальный кабель, кварцевые генераторы и конденсаторы (керамические, пленочные, электролитические), за счёт заключения дистрибьюторских договоров

Мы предлагаем:

- Конкурентоспособные цены и скидки постоянным клиентам.
- Специальные условия для постоянных клиентов.
- Подбор аналогов.
- Поставку компонентов в любых объемах, удовлетворяющих вашим потребностям.
- Приемлемые сроки поставки, возможна ускоренная поставка.
- Доставку товара в любую точку России и стран СНГ.
- Комплексную поставку.
- Работу по проектам и поставку образцов.
- Формирование склада под заказчика.
- Сертификаты соответствия на поставляемую продукцию (по желанию клиента).
- Тестирование поставляемой продукции.
- Поставку компонентов, требующих военную и космическую приемку.
- Входной контроль качества.
- Наличие сертификата ISO.

В составе нашей компании организован Конструкторский отдел, призванный помогать разработчикам, и инженерам.

Конструкторский отдел помогает осуществить:

- Регистрацию проекта у производителя компонентов.
- Техническую поддержку проекта.
- Защиту от снятия компонента с производства.
- Оценку стоимости проекта по компонентам.
- Изготовление тестовой платы монтаж и пусконаладочные работы.



Тел: +7 (812) 336 43 04 (многоканальный)
Email: org@lifeelectronics.ru