



**5V/3.3V 2.5Gbps  
VARIABLE OUTPUT SWING  
DIFFERENTIAL RECEIVER**

**ECL Pro™  
SY100EP16VS**

**FEATURES**

- 3.3V and 5V power supply options
- Fast output transitions <160ps  $t_r / t_f$
- Guaranteed operation over  $-40^{\circ}\text{C}$  to  $+85^{\circ}\text{C}$  temperature range
- Functionally equivalent to SY88927V and SY10EP16V
- Variable output swing from 100mV to 700mV
- Available in 8-pin (3mm) EPAD-MSOP package

**APPLICATIONS**

- Multimode optical transceiver
- VCSEL driver
- Backplane receiver



**ECL Pro™**

**DESCRIPTION**

The SY100EP16VS are differential receivers with variable output swing. The devices are functionally equivalent to the EP16V devices with an input that controls the amplitude of the outputs. EP16VS is commonly used as VCSEL laser driver.

The operational range of the EP16VS control input is from  $V_{BB}$  (max. swing) to  $V_{CC}$  (min. swing). Simple control of the output swing can be obtained by a variable resistor between the  $V_{BB}$  pin and  $V_{CC}$  with the wiper driving  $V_{CTRL}$ .

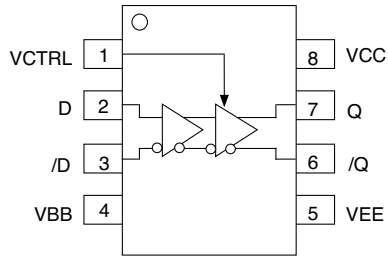
The EP16VS provides a  $V_{BB}$  output for either single-ended use or as a DC bias for AC coupling to the device. The  $V_{BB}$  pin should be used only as a bias for the EP16VS as its current sink/source capability is limited. Whenever used, the  $V_{BB}$  pin should be bypassed with a  $0.01\mu\text{F}$  capacitor to  $V_{CC}$  (in PECL mode).

Under open input conditions (pulled to  $V_{EE}$ ), internal input clamps will force the Q output LOW.

**PIN NAMES**

Pin	Function
D, /D	PECL Data Inputs
Q, /Q	Data Outputs
$V_{BB}$	Reference Voltage Output
$V_{CTRL}$	Output Swing Control
$V_{CC}$	Most Positive Power Supply Input
$V_{EE}$	Most Negative Power Supply Input

**PACKAGE/ORDERING INFORMATION**



**8-Pin EPAD-MSOP**

**Ordering Information<sup>(1)</sup>**

Part Number	Package Type	Operating Range	Package Marking	Lead Finish
SY100EP16VSKC	K8-2	Commercial	P16S	Sn-Pb
SY100EP16VSKCTR <sup>(2)</sup>	K8-2	Commercial	P16S	Sn-Pb
SY100EP16VSKI	K8-2	Industrial	P16S	Sn-Pb
SY100EP16VSKITR <sup>(2)</sup>	K8-2	Industrial	P16S	Sn-Pb
SY100EP16VSKY <sup>(3)</sup>	K8-2	Industrial	P16S with Pb-Free bar-line indicator	Pb-Free Matte-Sn
SY100EP16VSKYTR <sup>(2, 3)</sup>	K8-2	Industrial	P16S with Pb-Free bar-line indicator	Pb-Free Matte-Sn

**Notes:**

1. Contact factory for die availability. Dice are guaranteed at T<sub>A</sub> = 25°C, DC Electricals only.
2. Tape and Reel.
3. Pb-Free package is recommended for new designs.

**ABSOLUTE MAXIMUM RATINGS<sup>(1)</sup>**

Symbol	Rating	Value	Unit	
V <sub>EE</sub>	Power Supply Voltage (V <sub>CC</sub> = 0)	-6.0 to 0	V	
V <sub>CC</sub>	Power Supply Voltage (V <sub>EE</sub> = 0)	+6.0 to 0	V	
V <sub>IN</sub>	Input Voltage (V <sub>CC</sub> = 0V, V <sub>IN</sub> not more negative than V <sub>EE</sub> ) Input Voltage (V <sub>EE</sub> = 0V, V <sub>IN</sub> not more negative than V <sub>CC</sub> )	-6.0 to 0 +6.0 to 0	V V	
I <sub>OUT</sub>	Output Current	-Continuous -Surge	50 100	mA
I <sub>BB</sub>	V <sub>BB</sub> Sink/Source Current <sup>(2)</sup>	±0.5	mA	
T <sub>A</sub>	Operating Temperature Range	-40 to +85	°C	
T <sub>store</sub>	Storage Temperature Range	-65 to +150	°C	
T <sub>LEAD</sub>	Lead Temperature (soldering, 20sec.)	260	°C	
θ <sub>JA</sub>	Package Thermal Resistance (Junction-to-Ambient)	-Still-Air	38	°C/W

**Note 1.** Permanent device damage may occur if absolute maximum ratings are exceeded. This is a stress rating only and functional operation is not implied at conditions other than those detailed in the operational sections of this data sheet. Exposure to absolute maximum rating conditions for extended periods may affect device reliability.

**DC ELECTRICAL CHARACTERISTICS<sup>(1)</sup>**

V<sub>CC</sub> = +5V ±10% or +3.3V ±10%; R<sub>LOAD</sub> = 50Ω to V<sub>CC</sub> - 2V<sup>(2)</sup>

Symbol	Parameter	T <sub>A</sub> = -40°C		T <sub>A</sub> = +25°C			T <sub>A</sub> = +85°C		Unit
		Min.	Max.	Min.	Typ.	Max.	Min.	Max.	
I <sub>EE</sub>	Power Supply Current	—	51	—	—	51	—	51	mA
V <sub>BB</sub>	Output Reference Voltage	V <sub>CC</sub> -1.38	V <sub>CC</sub> -1.26	V <sub>CC</sub> -1.38	—	V <sub>CC</sub> -1.26	V <sub>CC</sub> -1.38	V <sub>CC</sub> -1.26	V
V <sub>OH</sub>	Output HIGH Voltage <sup>(3)</sup>	V <sub>CC</sub> -1085	V <sub>CC</sub> -880	V <sub>CC</sub> -1025	V <sub>CC</sub> -0955	V <sub>CC</sub> -880	V <sub>CC</sub> -1025	V <sub>CC</sub> -880	mV
V <sub>OL</sub>	Output LOW Voltage <sup>(3)</sup> V <sub>CTRL</sub> = V <sub>BB</sub> V <sub>CTRL</sub> = V <sub>CC</sub>	V <sub>CC</sub> -1900	V <sub>CC</sub> -1650	V <sub>CC</sub> -1900	—	V <sub>CC</sub> -1650	V <sub>CC</sub> -1900	V <sub>CC</sub> -1650	mV
		V <sub>CC</sub> -1125	V <sub>CC</sub> -975	V <sub>CC</sub> -1125	—	V <sub>CC</sub> -975	V <sub>CC</sub> -1125	V <sub>CC</sub> -975	mV
V <sub>IH</sub>	Input HIGH Voltage	V <sub>CC</sub> -1165	V <sub>CC</sub> -880	V <sub>CC</sub> -1165	—	V <sub>CC</sub> -880	V <sub>CC</sub> -1165	V <sub>CC</sub> -880	mV
V <sub>IL</sub>	Input LOW Voltage	V <sub>CC</sub> -1810	V <sub>CC</sub> -1475	V <sub>CC</sub> -1810	—	V <sub>CC</sub> -1475	V <sub>CC</sub> -1810	V <sub>CC</sub> -1475	mV
I <sub>IH</sub>	Input HIGH Current D, /D V <sub>CTRL</sub> <sup>(4)</sup>	—	150	—	—	150	—	150	μA
		—	80	—	—	80	—	80	μA
I <sub>IL</sub>	Input LOW Current	0.5	—	0.5	—	—	0.5	—	μA

**Note 1.** 100EP circuits are designed to meet the DC specifications shown in the above table after thermal equilibrium has been established. The circuit is in a test socket or mounted on a printed circuit board and traverse airflow greater than 500lfpm is maintained.

**Note 2.** Input and output parameters vary 1:1 with V<sub>CC</sub>.

**Note 3.** All loading with 50Ω to V<sub>CC</sub> - 2.0V.

**Note 4.** V<sub>CTRL</sub> = V<sub>CC</sub> - 0.88V.

### AC ELECTRICAL CHARACTERISTICS

$V_{CC} = +5V \pm 10\%$  or  $+3.3V \pm 10\%$ ;  $R_{LOAD} = 50\Omega$  to  $V_{CC} - 2V$

Symbol	Parameter	$T_A = -40^\circ C$			$T_A = +25^\circ C$			$T_A = +85^\circ C$			Unit
		Min.	Typ.	Max.	Min.	Typ.	Max.	Min.	Typ.	Max.	
$t_{PLH}$ $t_{PHL}$	Propagation Delay to Output D (Diff) D (SE)	100	—	250	100	—	250	120	—	300	ps
$V_{PP}$	Minimum Input Swing <sup>(1)</sup>	150	—	—	150	—	—	150	—	—	mV
$V_{CMR}$	Common Mode Range <sup>(2)</sup>	$V_{CC} - 1.3$	—	$V_{CC} - 0.4$	$V_{CC} - 1.3$	—	$V_{CC} - 0.4$	$V_{CC} - 1.3$	—	$V_{CC} - 0.4$	V
$t_r, t_f$	Output Rise/Fall Times <sup>(3)</sup> (20% to 80%)	—	—	160	—	95	160	—	—	160	ps

- Note 1.** Minimum input swing for which AC parameters are guaranteed. The device has a DC gain of  $\approx 40$  when output has a full swing.
- Note 2.** The CMR range is referenced to the most positive side of the differential input signal. Normal operation is obtained if the HIGH level falls within the specified range and the peak-to-peak voltage lies between  $V_{PP}$  (min.) and 1V. The lower end of the CMR range varies 1:1 with  $V_{EE}$ . The numbers in the spec table assume a nominal  $V_{EE} = -3.3V$  and  $V_{CC} = 0V$ . Note for PECL operation, the  $V_{CMR}$  (min.) will be fixed at  $3.3V - IV_{CMR}$  (min.).
- Note 3.** Output at full swing.

### APPLICATION IMPLEMENTATION

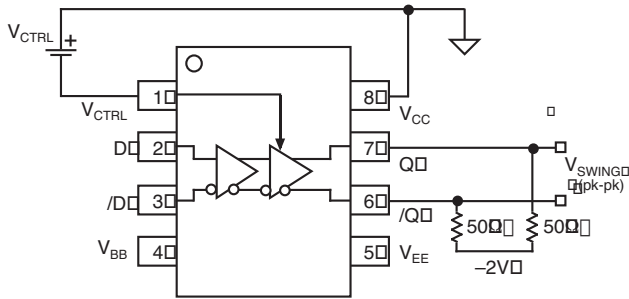


Figure 1. Voltage Source Implementation

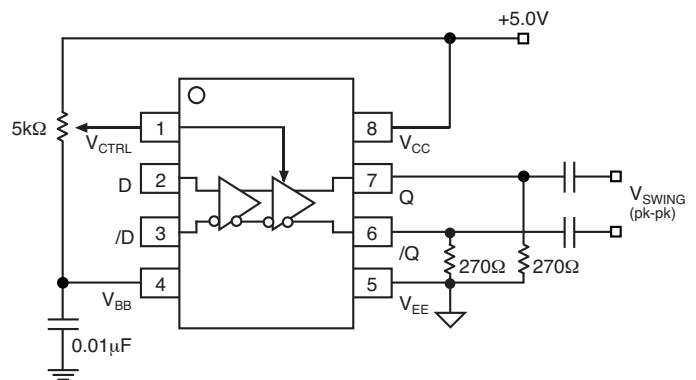


Figure 2. Alternative Implementation

### TYPICAL VOLTAGE OUTPUT SWING

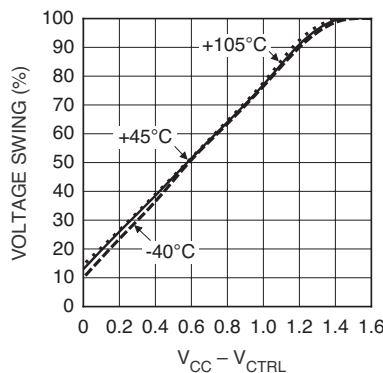


Figure 3. Typical Voltage Output Swing  
 $V_{CC} = 3.3V$  or  $5V$



Компания «Life Electronics» занимается поставками электронных компонентов импортного и отечественного производства от производителей и со складов крупных дистрибьюторов Европы, Америки и Азии.

С конца 2013 года компания активно расширяет линейку поставок компонентов по направлению коаксиальный кабель, кварцевые генераторы и конденсаторы (керамические, пленочные, электролитические), за счёт заключения дистрибьюторских договоров

Мы предлагаем:

- Конкурентоспособные цены и скидки постоянным клиентам.
- Специальные условия для постоянных клиентов.
- Подбор аналогов.
- Поставку компонентов в любых объемах, удовлетворяющих вашим потребностям.
- Приемлемые сроки поставки, возможна ускоренная поставка.
- Доставку товара в любую точку России и стран СНГ.
- Комплексную поставку.
- Работу по проектам и поставку образцов.
- Формирование склада под заказчика.
- Сертификаты соответствия на поставляемую продукцию (по желанию клиента).
- Тестирование поставляемой продукции.
- Поставку компонентов, требующих военную и космическую приемку.
- Входной контроль качества.
- Наличие сертификата ISO.

В составе нашей компании организован Конструкторский отдел, призванный помогать разработчикам, и инженерам.

Конструкторский отдел помогает осуществить:

- Регистрацию проекта у производителя компонентов.
- Техническую поддержку проекта.
- Защиту от снятия компонента с производства.
- Оценку стоимости проекта по компонентам.
- Изготовление тестовой платы монтаж и пусконаладочные работы.



Тел: +7 (812) 336 43 04 (многоканальный)  
Email: [org@lifeelectronics.ru](mailto:org@lifeelectronics.ru)