

CODE 47 - TINEL-LOCK BACKSHELL

TXR47AB00-1608AI

SERIES _____
 TXR: RING INCLUDED
 (SEE RING OPTION)
 TX: RING NOT INCLUDED
 CONNECTOR INTERFACE _____
 MATERIAL _____
 REFER TO CH00-0250-008
 FINISH _____
 REFER TO CH00-0250-008
 ANGLE _____
 ORDER NUMBER (TABLE 1) _____
 ENTRY SIZE (TABLE 2) _____
 RING OPTION _____
 AI - TO SUIT SINGLE BRAID
 BI - TO SUIT DOUBLE BRAID
 FOR TX, LEAVE BLANK
 MODIFICATION CODE _____
 REFER TO CH00-0250-008 ②

NOTES:

1. THIS PRODUCT IS DESIGNED TO TERMINATE A BRAIDED CABLE SHIELD AND A HEAT SHRINKABLE LIPPED BOOT TO A CONNECTOR.

② FOR ADDITIONAL DIMENSIONS, ORDERING INFORMATION AND MODIFICATIONS, SEE CH00-0250-008.

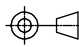


③ SEE DRAWING TR FOR DETAIL ON TINEL-LOCK RING, RINGS ARE DESIGNED TO BE HEATED ELECTRICALLY, ALL RINGS ARE MARKED WITH THERMOCHROMIC PAINT WHICH CHANGES COLOUR WHEN INSTALLATION TEMPERATURE IS REACHED.

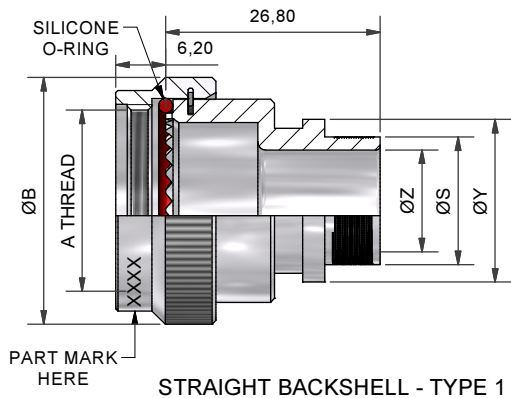
4. BACKSHELL TO BE PERMANENTLY MARKED/BAGGED AND LABELLED WITH CODE IDENTIFICATION NUMBER AND PART NUMBER LESS RING DESIGNATOR. (e.g. 06090-TXR47AB00-1206). RING SHALL BEAR NO MARKING.

⑤ WHEN ENTRY SIZE EXCEEDS "MAX ENTRY", A 2 PIECE BACKSHELL ASSEMBLY (TYPE 2) IS SUPPLIED.

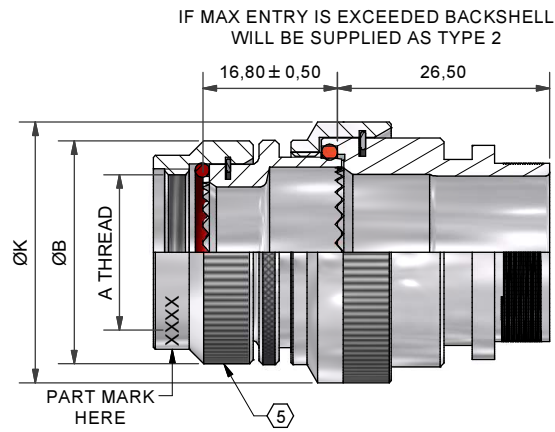
6. BACKSHELL MATES TO VG96912 CONNECTORS, FOR EXAMPLE AMPHENOL SJT SERIES.

If this document is printed it becomes uncontrolled. Check for the latest revision

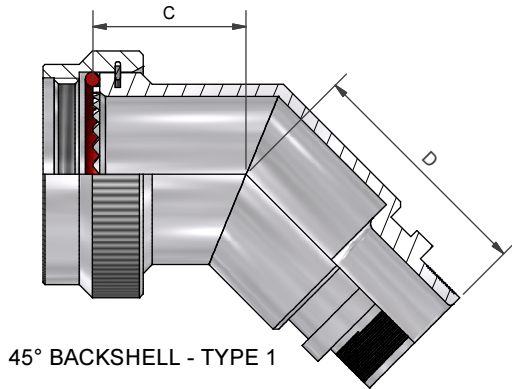
| | | | | | | |
|--|---------------------------|------------|--|---|--|---|
| DRAWN | K.WINCZURA | DATE | 10/06/2015 |  3RD ANGLE PROJECTION NOT TO SCALE | TITLE: TINEL LOCK BACKSHELL |  Polamco  |
| CHECKED | | 10/06/2015 | | | | |
| APPROVED | K.SHEPPARD | 26/06/2015 | UNLESS OTHERWISE SPECIFIED ALL DIMENSIONS IN MILLIMETRES GENERAL TOL LINEAR +/-0.25MM ANGULAR +/- 1° | | | |
| APPROVED | H.SMITH | 07/07/2015 | | | | |
| REVISIONS | | | | | ASSY USED ON: VG96912 | DRAWING NO: TXR47 DRAWING REV: E SHT 1 |
| LTR | DESCRIPTION | DATE | APPROVED | | | |
| D | REVISED PER DCR R060313 | 22/05/2006 | MPIOZET | | | |
| E | REVISED PER ECO-15-009991 | 07/07/2015 | H.SMITH | | | |
| TE CAGE CODE: 06090 POLAMCO/TE CAGE CODE: U5792 | | | | | TE CONNECTIVITY - POLAMCO LTD RESERVES THE RIGHT TO AMEND THIS DRAWING AND THE INFORMATION SET FORTH HEREON AT ANY TIME. USERS SHOULD INDEPENDENTLY EVALUATE THE SUITABILITY OF THE PRODUCT FOR THEIR APPLICATION. | |



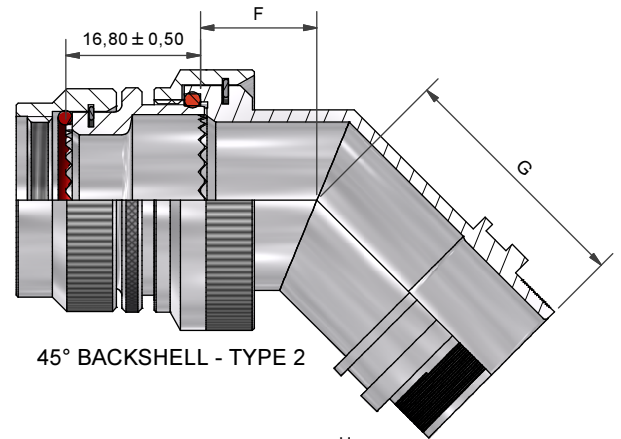
STRAIGHT BACKSHELL - TYPE 1



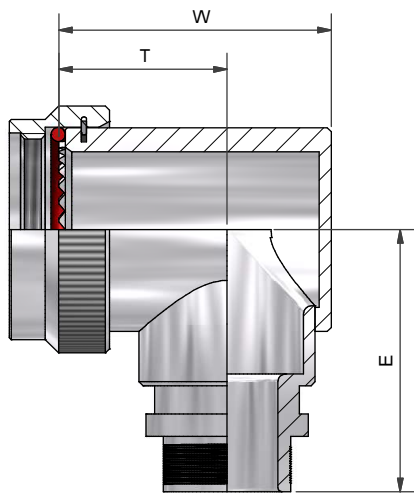
STRAIGHT BACKSHELL - TYPE 2



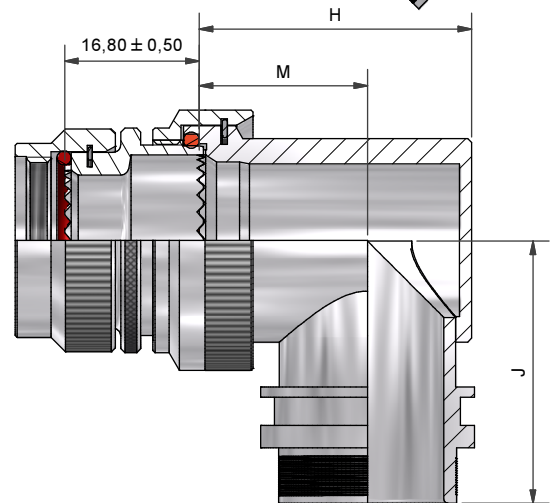
45° BACKSHELL - TYPE 1



45° BACKSHELL - TYPE 2

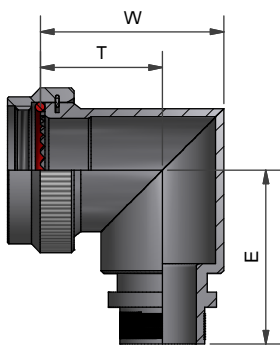


90° BACKSHELL - TYPE 1

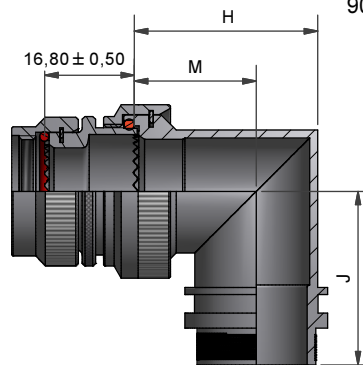


90° BACKSHELL - TYPE 2

If this document is printed it becomes uncontrolled. Check for the latest revision



90° BACKSHELL - TYPE 1
STAINLESS STEEL AND
NICKEL ALUMINIUM BRONZE



90° BACKSHELL - TYPE 2
STAINLESS STEEL AND
NICKEL ALUMINIUM BRONZE

| | | | |
|-----------|---------------------------|------------|------------|
| DRAWN | K.WINCZURA | DATE | 10/06/2015 |
| CHECKED | | DATE | 10/06/2015 |
| APPROVED | K.SHEPPARD | DATE | 26/06/2015 |
| APPROVED | H.SMITH | DATE | 07/07/2015 |
| REVISIONS | | | |
| LTR | DESCRIPTION | DATE | APPROVED |
| D | REVISED PER DCR R060313 | 22/05/2006 | MPIOZET |
| E | REVISED PER ECO-15-009991 | 07/07/2015 | H.SMITH |

3RD ANGLE PROJECTION
NOT TO SCALE

UNLESS OTHERWISE SPECIFIED
ALL DIMENSIONS IN MILLIMETRES
GENERAL TOL
LINEAR +/-0.25MM
ANGULAR +/- 1°

TITLE:
TINEL LOCK BACKSHELL

ASSY USED ON:
VG96912



TE CAGE CODE: 06090
POLAMCO/TE CAGE CODE: U5792

TE CONNECTIVITY - POLAMCO LTD RESERVES THE RIGHT TO AMEND THIS DRAWING AND THE INFORMATION SET FORTH HEREON AT ANY TIME. USERS SHOULD INDEPENDENTLY EVALUATE THE SUITABILITY OF THE PRODUCT FOR THEIR APPLICATION.

| | | |
|-----------------------------|--------------------------|-----------------|
| DRAWING NO: TXR47 | DRAWING REV: E | SHT 2 |
|-----------------------------|--------------------------|-----------------|

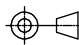


THESE DIMENSIONS APPLY IF
BACKSHELL IS STAINLESS STEEL
OR NICKEL ALUMINIUM BRONZE

| ORDER NO. | SHELL SIZE | A THREAD | ØB MAX | MAX ENTRY | C ±0,5 | D ±0,5 | W ±0,5 | T ±0,5 | E ±0,5 | W ±0,5 | T ±0,5 | E ±0,5 |
|-----------|------------|---------------|--------|-----------|--------|--------|--------|--------|--------|--------|--------|--------|
| 08 | 08 | 7/16-28UNEF | 18,3 | 04 | 16,4 | 26,8 | 21,0 | 14,0 | 26,2 | 21,3 | 16,4 | 26,4 |
| 10 | 10 | 9/16-24UNEF | 21,5 | 07 | 17,2 | 27,5 | 24,0 | 15,5 | 28,0 | 24,4 | 17,3 | 28,2 |
| 12 | 12 | 11/16-24UNEF | 24,5 | 08 | 17,6 | 28,0 | 27,0 | 17,0 | 29,5 | 28,4 | 19,5 | 29,7 |
| 14 | 14 | 13/16-20UNEF | 27,8 | 10 | 18,5 | 29,0 | 31,0 | 19,5 | 31,0 | 31,2 | 21,0 | 31,2 |
| 16 | 16 | 15/16-20UNEF | 30,8 | 12 | 19,2 | 29,7 | 34,0 | 21,0 | 32,7 | 34,3 | 22,8 | 32,9 |
| 18 | 18 | 1 1/16-18UNEF | 34,1 | 14 | 19,6 | 30,5 | 35,0 | 20,0 | 34,3 | 38,6 | 25,3 | 34,5 |
| 20 | 20 | 1 3/16-18UNEF | 37,3 | 16 | 20,4 | 30,9 | 38,0 | 21,5 | 35,8 | 40,8 | 26,1 | 36,1 |
| 22 | 22 | 1 5/16-18UNEF | 40,5 | 18 | 20,8 | 31,1 | 42,0 | 24,0 | 37,4 | 43,8 | 27,6 | 37,6 |
| 24 | 24 | 1 7/16-18UNEF | 43,7 | 20 | 21,7 | 32,1 | 45,0 | 25,5 | 38,9 | 46,5 | 29,1 | 39,1 |

THESE DIMENSIONS APPLY IF
BACKSHELL IS STAINLESS STEEL
OR NICKEL ALUMINIUM BRONZE

| ENTRY SIZE | ØZ MIN | ØS | ØY ± 0,3 | ØK MAX | F ±0,5 | G ±0,5 | H ±0,5 | M ±0,5 | J ±0,5 | H ±0,5 | M ±0,5 | J ±0,5 |
|------------|--------|---------------|----------|--------|--------|--------|--------|--------|--------|--------|--------|--------|
| 04 | 6,35 | 9,49 +/-0,04 | 14,00 | NA | NA | NA | NA | NA | NA | NA | NA | NA |
| 05 | 7,92 | 11,06 +/-0,04 | 15,50 | 21,0 | 12,5 | 27,5 | 24,0 | 15,5 | 28,0 | 24,3 | 17,2 | 28,2 |
| 06 | 9,53 | 12,66 +/-0,04 | 17,10 | 21,0 | 12,5 | 27,5 | 24,0 | 15,5 | 28,0 | 24,3 | 17,2 | 28,2 |
| 07 | 11,10 | 14,21 +/-0,07 | 18,70 | 21,0 | 12,5 | 27,5 | 24,0 | 15,5 | 28,0 | 24,3 | 17,2 | 28,2 |
| 08 | 12,70 | 15,81 +/-0,07 | 20,30 | 24,5 | 13,1 | 28,0 | 27,0 | 17,0 | 29,5 | 28,3 | 19,4 | 29,7 |
| 10 | 15,88 | 18,96 +/-0,08 | 23,50 | 29,0 | 13,5 | 29,0 | 31,0 | 19,5 | 31,0 | 31,1 | 21,0 | 31,2 |
| 12 | 19,05 | 22,14 +/-0,08 | 26,70 | 32,5 | 14,5 | 29,7 | 34,0 | 21,0 | 32,7 | 34,2 | 22,8 | 32,9 |
| 14 | 22,23 | 25,30 +/-0,08 | 29,80 | 35,5 | 15,5 | 30,5 | 35,0 | 20,0 | 34,3 | 38,5 | 25,3 | 34,5 |
| 16 | 25,40 | 28,48 +/-0,08 | 33,00 | 37,0 | 16,1 | 30,9 | 38,0 | 21,5 | 35,8 | 40,7 | 26,1 | 36,1 |
| 18 | 28,58 | 31,65 +/-0,08 | 36,20 | 40,0 | 16,5 | 31,1 | 42,0 | 24,0 | 37,4 | 43,7 | 27,6 | 37,6 |
| 20 | 31,75 | 34,83 +/-0,08 | 39,40 | 43,5 | 17,0 | 32,1 | 45,0 | 25,5 | 38,9 | 46,4 | 29,1 | 39,1 |
| 22 | 34,93 | 37,98 +/-0,08 | 42,50 | 48,5 | 18,5 | 35,3 | 54,5 | 31,0 | 42,0 | 50,0 | 31,0 | 42,0 |
| 24 | 38,10 | 41,15 +/-0,08 | 45,70 | 52,1 | 21,9 | 38,1 | 58,0 | 33,0 | 46,0 | 53,5 | 33,0 | 46,0 |

If this document is printed it becomes uncontrolled. Check for the latest revision

| | | | | | | | | |
|--|---------------------------|------------|--|---|--|--|---------------------------------|------------------------|
| DRAWN | K.WINCZURA | DATE | 10/06/2015 |  3RD ANGLE PROJECTION NOT TO SCALE | TITLE: TINEL LOCK BACKSHELL |  Polanco | | |
| CHECKED | | 10/06/2015 | | | | | | |
| APPROVED | K.SHEPPARD | 26/06/2015 | UNLESS OTHERWISE SPECIFIED ALL DIMENSIONS IN MILLIMETRES GENERAL TOL LINEAR +/-0,25MM ANGULAR +/- 1° | | | | | |
| APPROVED | H.SMITH | 07/07/2015 | | | | | | |
| REVISIONS | | | | | ASSY USED ON: VG96912 |  TE connectivity | | |
| LTR | DESCRIPTION | DATE | APPROVED | | | | | |
| D | REVISED PER DCR R060313 | 22/05/2006 | MPIOZET | | | | | |
| E | REVISED PER ECO-15-009991 | 07/07/2015 | H.SMITH | | | | | |
| TE CAGE CODE: 06090 POLAMCO/TE CAGE CODE: U5792 | | | | | TE CONNECTIVITY - POLAMCO LTD RESERVES THE RIGHT TO AMEND THIS DRAWING AND THE INFORMATION SET FORTH HEREON AT ANY TIME. USERS SHOULD INDEPENDENTLY EVALUATE THE SUITABILITY OF THE PRODUCT FOR THEIR APPLICATION. | DRAWING NO: TXR47 | DRAWING REV: E | SHT 3 |

Компания «Life Electronics» занимается поставками электронных компонентов импортного и отечественного производства от производителей и со складов крупных дистрибьюторов Европы, Америки и Азии.

С конца 2013 года компания активно расширяет линейку поставок компонентов по направлению коаксиальный кабель, кварцевые генераторы и конденсаторы (керамические, пленочные, электролитические), за счёт заключения дистрибьюторских договоров

Мы предлагаем:

- Конкурентоспособные цены и скидки постоянным клиентам.
- Специальные условия для постоянных клиентов.
- Подбор аналогов.
- Поставку компонентов в любых объемах, удовлетворяющих вашим потребностям.
- Приемлемые сроки поставки, возможна ускоренная поставка.
- Доставку товара в любую точку России и стран СНГ.
- Комплексную поставку.
- Работу по проектам и поставку образцов.
- Формирование склада под заказчика.
- Сертификаты соответствия на поставляемую продукцию (по желанию клиента).
- Тестирование поставляемой продукции.
- Поставку компонентов, требующих военную и космическую приемку.
- Входной контроль качества.
- Наличие сертификата ISO.

В составе нашей компании организован Конструкторский отдел, призванный помогать разработчикам, и инженерам.

Конструкторский отдел помогает осуществить:

- Регистрацию проекта у производителя компонентов.
- Техническую поддержку проекта.
- Защиту от снятия компонента с производства.
- Оценку стоимости проекта по компонентам.
- Изготовление тестовой платы монтаж и пусконаладочные работы.



Тел: +7 (812) 336 43 04 (многоканальный)

Email: org@lifeelectronics.ru