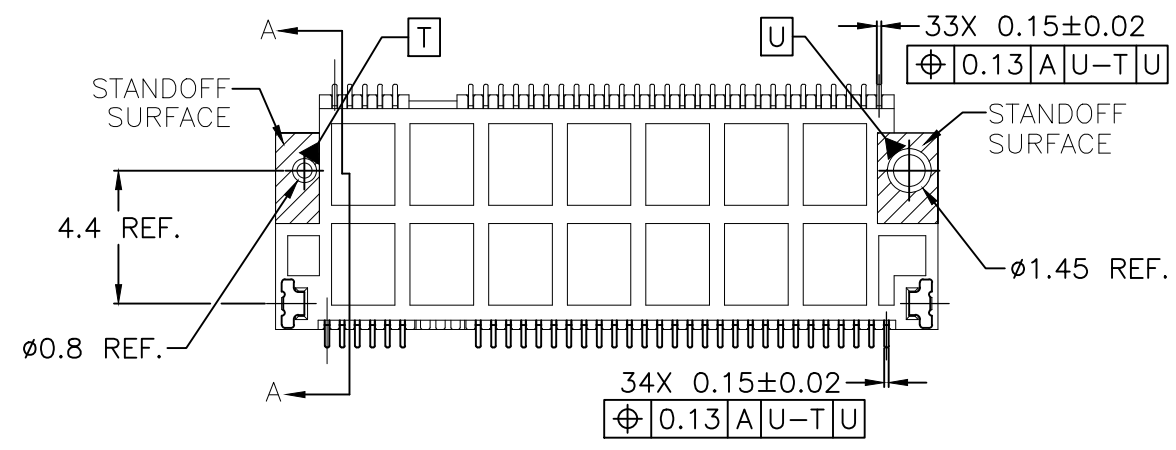
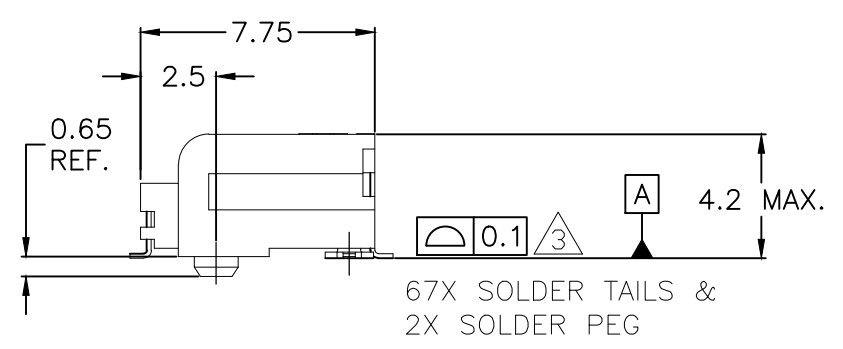
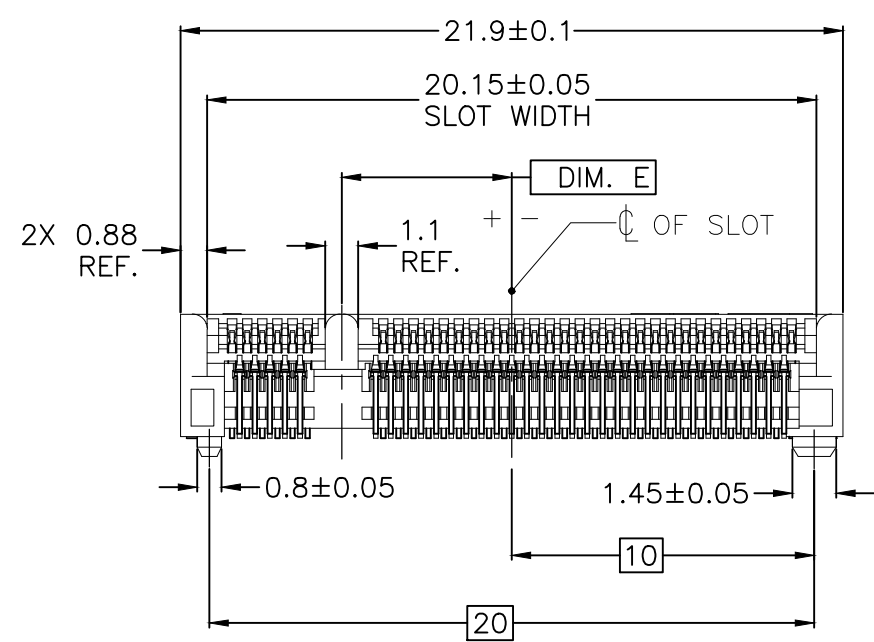
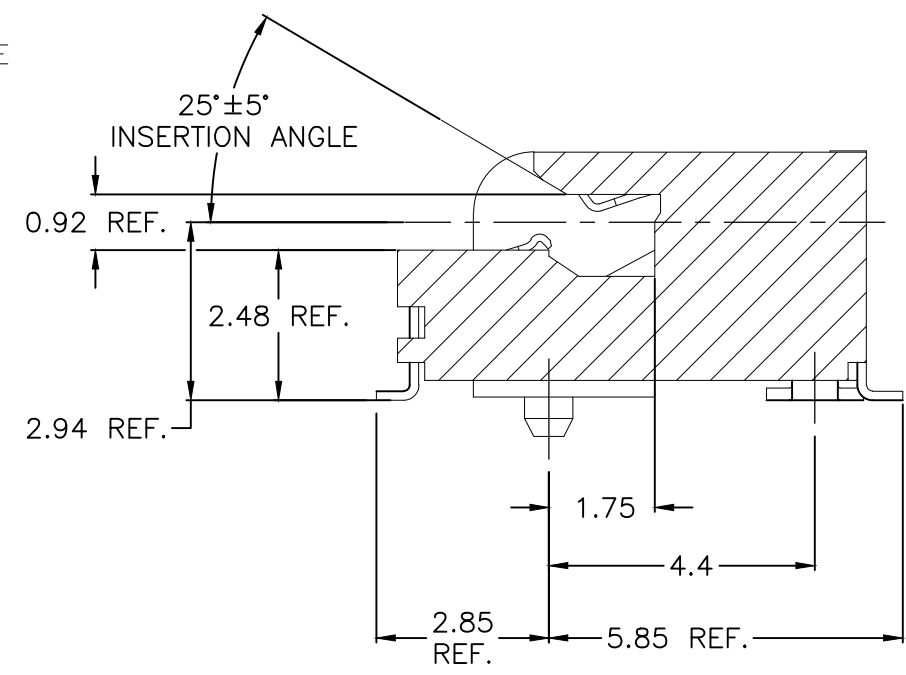
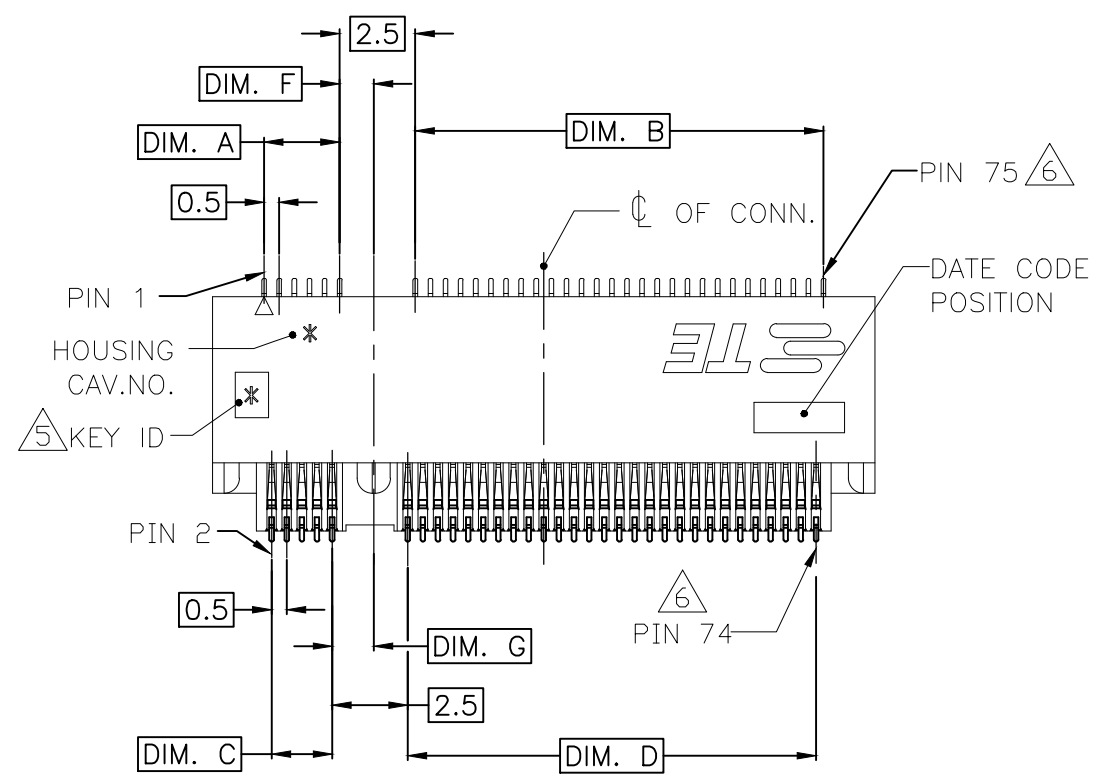


THIS DRAWING IS UNPUBLISHED. RELEASED FOR PUBLICATION
 © COPYRIGHT - By - ALL RIGHTS RESERVED.

| LOC | DIST | REVISIONS | | | | | |
|-----|------|-----------|-----|---------------------------|----------|-----|------|
| | | P | LTR | DESCRIPTION | DATE | DWN | APVD |
| - | - | | B2 | REVISED PER ECR-17-001727 | 7FEB2017 | S.W | W.H |



- NOTES:
- MATERIAL:
 - HOUSING : HIGH TEMPERATURE THERMOPLASTIC UL94V-0, COLOR: BLACK.
 - CONTACT: COPPER ALLOY.
 - SOLDER PEG: STAINLESS STEEL.
 - FINISH:
 - CONTACT: UNDERCOAT NICKEL 50u" min. ALL OVER; MATING AREA: GOLD PLATING, THE THICKNESS SEE TABLE LIST; SOLDERABLE AREA: GOLDFLASH.
 - SOLDER PEG: UNDERCOAT: NICKEL 50u" min. ALL OVER SOLDERABLE AREA: MATTE TIN 100u" min.
 - COPLANARITY: 0.10mm MAX.(BEFORE SOLDERING).
 - ACCEPTED MODULE BASED ON INDUSTRY STD
 - KEY ID, "*" IS A CAPITAL LETTER PER THE PART NO.
 - THE PIN NO. DEFINITIONS ARE ACCORDING TO PCB FOOTPRINT, THE ACTUAL PIN QUANTITY IS ONLY 67 POS. FOR KEY TAKING OUT 8 POS.
 - THE PRODUCT IS RoHS COMPLIANT, BR 900PPM MAX., CL 900PPM MAX. BR+CL 1500 PPM MAX.
 - MINUS MEANS ϕ OF KEY IS ON THE RIGHT SIDE OF CONN. ϕ IN PAGE 1.

| | | | | |
|---|--|--------------------------|---|---------------|
| THIS DRAWING IS A CONTROLLED DOCUMENT. | | DWN SIMON WU 90CT2012 | TE Connectivity | |
| DIMENSIONS: mm | | CHK SIMON LI 90CT2012 | | |
| TOLERANCES UNLESS OTHERWISE SPECIFIED: | | APVD COREL WANG 90CT2012 | NAME | |
| 0 PLC ± 0.30 1 PLC ± 0.30 2 PLC ± 0.20 3 PLC ± 0.10 4 PLC ANGLES ± - ± 3° | | PRODUCT SPEC | M.2(NGFF) MINI CARD MOUNTING TYPE | |
| MATERIAL | | APPLICATION SPEC | 0.50mm PITCH 67 POS. 4.2mm HEIGHT FOR DOUBLE SIDED MODULE | |
| FINISH | | 114-115006 | SIZE | CAGE CODE |
| | | 0.64 G | A3 | 00779 |
| | | CUSTOMER DRAWING | DRAWING NO | RESTRICTED TO |
| | | | C-2199230 | |
| | | SCALE 4:1 | SHEET 1 OF 4 | REV B2 |

THIS DRAWING IS UNPUBLISHED. RELEASED FOR PUBLICATION
 © COPYRIGHT - By - ALL RIGHTS RESERVED.

| LOC | | DIST | | REVISIONS | | | | | |
|-----|-----|-------------|---|-------------|------|-----|------|--|--|
| P | LTR | DESCRIPTION | | | DATE | DWN | APVD | | |
| - | - | - | - | SEE SHEET 1 | - | - | - | | |

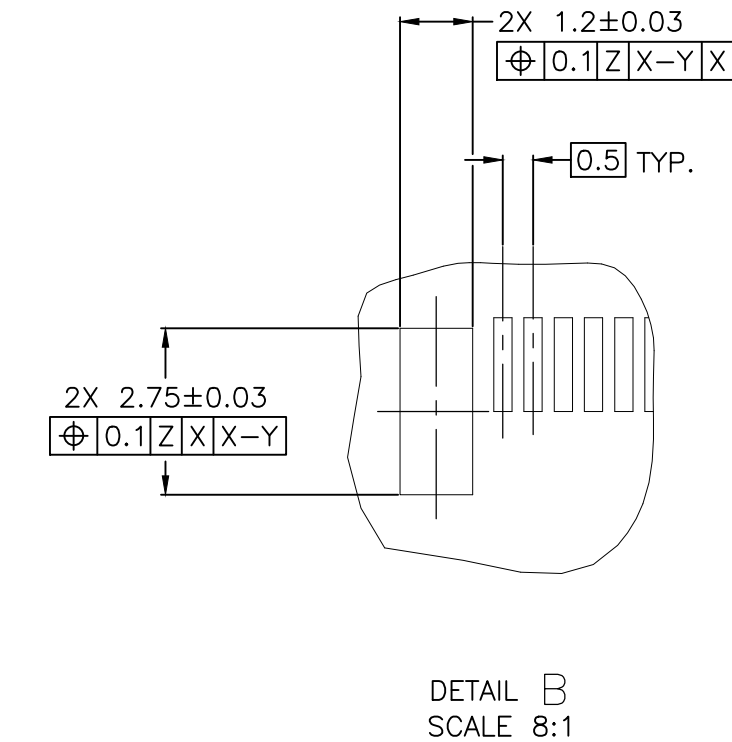
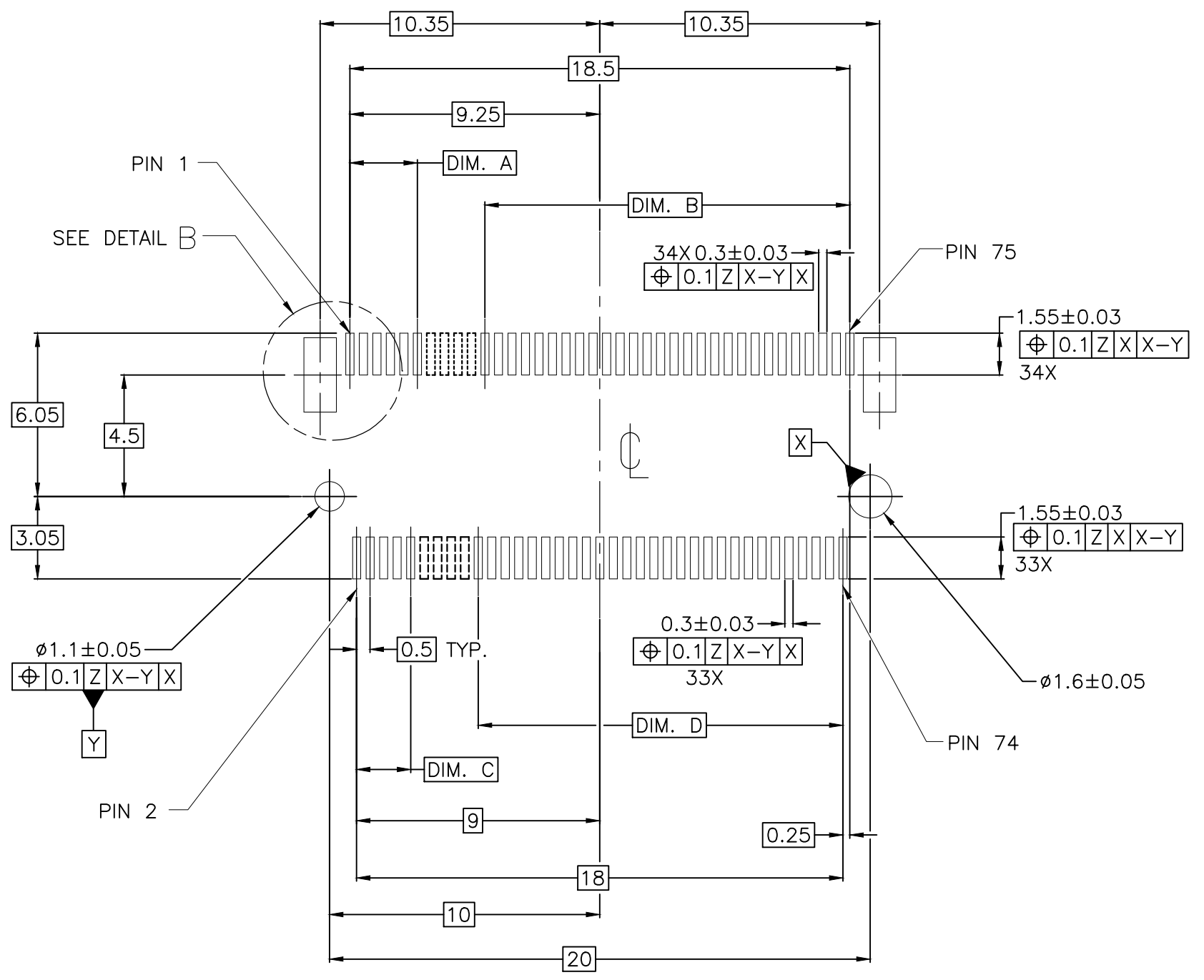


| KEY ID. | PRODUCT SPEC. | GOLD SPEC. | DIM. G | DIM. F | DIM. E | DIM. D | DIM. C | DIM. B | DIM. A | PART NO. |
|---------|---------------|------------|--------|--------|--------|--------|--------|--------|--------|-------------|
| M | 108-115042 | 50u" MIN. | 1.125 | 1.375 | -6.125 | 1.5 | 14.0 | 2.0 | 14.0 | 1-2199230-7 |
| | | 30u" MIN. | | | | | | | | 1-2199230-6 |
| | | 15u" MIN. | | | | | | | | 1-2199230-5 |
| | | 10u" MIN. | | | | | | | | 1-2199230-4 |
| | 108-115049 | GOLD FLASH | | | | | | | | 1-2199230-3 |
| A | 108-115042 | 10u" MIN. | | | 6.625 | 14.5 | 1.0 | 14.5 | 1.5 | 1-2199230-2 |
| E | | | | | 2.625 | 10.5 | 5.0 | 10.5 | 5.5 | 1-2199230-1 |
| B | | | | | 5.625 | 13.5 | 2.0 | 13.5 | 2.5 | 1-2199230-0 |
| A | 108-115042 | 30u" MIN. | 1.375 | 1.125 | 6.625 | 14.5 | 1.0 | 14.5 | 1.5 | 2199230-9 |
| | | 15u" MIN. | | | | | | | | 2199230-8 |
| | | GOLD FLASH | | | | | | | | 2199230-7 |
| E | 108-115042 | 30u" MIN. | | | 2.625 | 10.5 | 5.0 | 10.5 | 5.5 | 2199230-6 |
| B | | | | | 5.625 | 13.5 | 2.0 | 13.5 | 2.5 | 2199230-5 |
| E | | | | | 2.625 | 10.5 | 5.0 | 10.5 | 5.5 | 2199230-4 |
| B | 108-115042 | 15u" MIN. | | | 5.625 | 13.5 | 2.0 | 13.5 | 2.5 | 2199230-3 |
| E | | | | | 2.625 | 10.5 | 5.0 | 10.5 | 5.5 | 2199230-2 |
| B | | | | | 5.625 | 13.5 | 2.0 | 13.5 | 2.5 | 2199230-1 |
| | 108-115049 | GOLD FLASH | | | | | | | | 2199230-1 |

| | | | | | | | |
|--|--|--------------------------------|--|--------|-----------|------------|---------------|
| THIS DRAWING IS A CONTROLLED DOCUMENT. | | DWN SIMON WU 90CT2012 | TE Connectivity M.2(NGFF) MINI CARD MOUNTING TYPE 0.50mm PITCH 67 POS. 4.2mm HEIGHT FOR DOUBLE SIDED MODULE | | | | |
| DIMENSIONS: mm | | CHK SIMON LI 90CT2012 | | | | | |
| TOLERANCES UNLESS OTHERWISE SPECIFIED: | | APVD COREL WANG 90CT2012 | | | | | |
| 0 PLC ± 0.30 1 PLC ± 0.30 2 PLC ± 0.20 3 PLC ± 0.10 4 PLC ± - ANGLES ± 3° | | PRODUCT SPEC | | | | | |
| MATERIAL | | APPLICATION SPEC | NAME | SIZE | CAGE CODE | DRAWING NO | RESTRICTED TO |
| FINISH | | WEIGHT | A3 | 00779 | C-2199230 | | |
| CUSTOMER DRAWING | | | SCALE | SHEET | REV | | |
| | | | 4:1 | 2 OF 4 | B2 | | |


THIS DRAWING IS UNPUBLISHED. RELEASED FOR PUBLICATION
 © COPYRIGHT - By - ALL RIGHTS RESERVED.

| LOC | DIST | REVISIONS | | | |
|-----|------|-------------|------|-----|------|
| P | LTR | DESCRIPTION | DATE | DWN | APVD |
| - | - | SEE SHEET 1 | - | - | - |



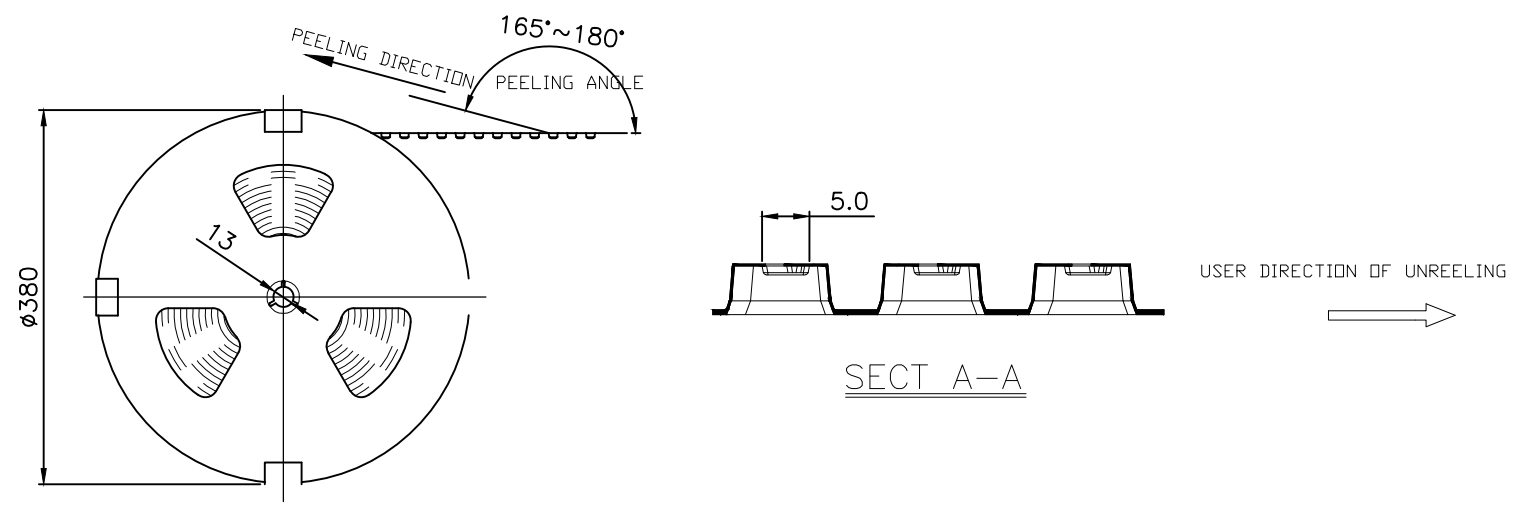
RECOMMENDED NGFF MINI CARD MOUNTING TYPE_SMT_PCB OUTLINE
 DATUM Z: PCB SOLDER SURFACE

| | | | | |
|---------|--------|--------|--------|--------|
| M | 1.5 | 14.0 | 2.0 | 14.0 |
| E | 10.5 | 5.0 | 10.5 | 5.5 |
| B | 13.5 | 2.0 | 13.5 | 2.5 |
| A | 14.5 | 1.0 | 14.5 | 1.5 |
| KEY ID. | DIM. D | DIM. C | DIM. B | DIM. A |

| | | | | |
|--|--|--------------------------------|---|-------------------------|
| THIS DRAWING IS A CONTROLLED DOCUMENT. | | DWN SIMON_WU 90CT2012 |  TE Connectivity | |
| DIMENSIONS: mm | | CHK SIMON_LI 90CT2012 | | |
| TOLERANCES UNLESS OTHERWISE SPECIFIED: | | APVD COREL_WANG 90CT2012 | NAME M.2(NGFF) MINI CARD MOUNTING TYPE 0.50mm PITCH 67 POS. 4.2mm HEIGHT FOR DOUBLE SIDED MODULE | |
| 0 PLC ± 0.30 1 PLC ± 0.30 2 PLC ± 0.20 3 PLC ± 0.10 4 PLC ± - ANGLES ± 3° | | PRODUCT SPEC | SIZE A3 | |
| MATERIAL | | APPLICATION SPEC | CAGE CODE 00779 | DRAWING NO C-2199230 |
| FINISH | | WEIGHT | RESTRICTED TO | |
| | | CUSTOMER DRAWING | SCALE 5:1 | SHEET 3 OF 4 |
| | | | REV B2 | |

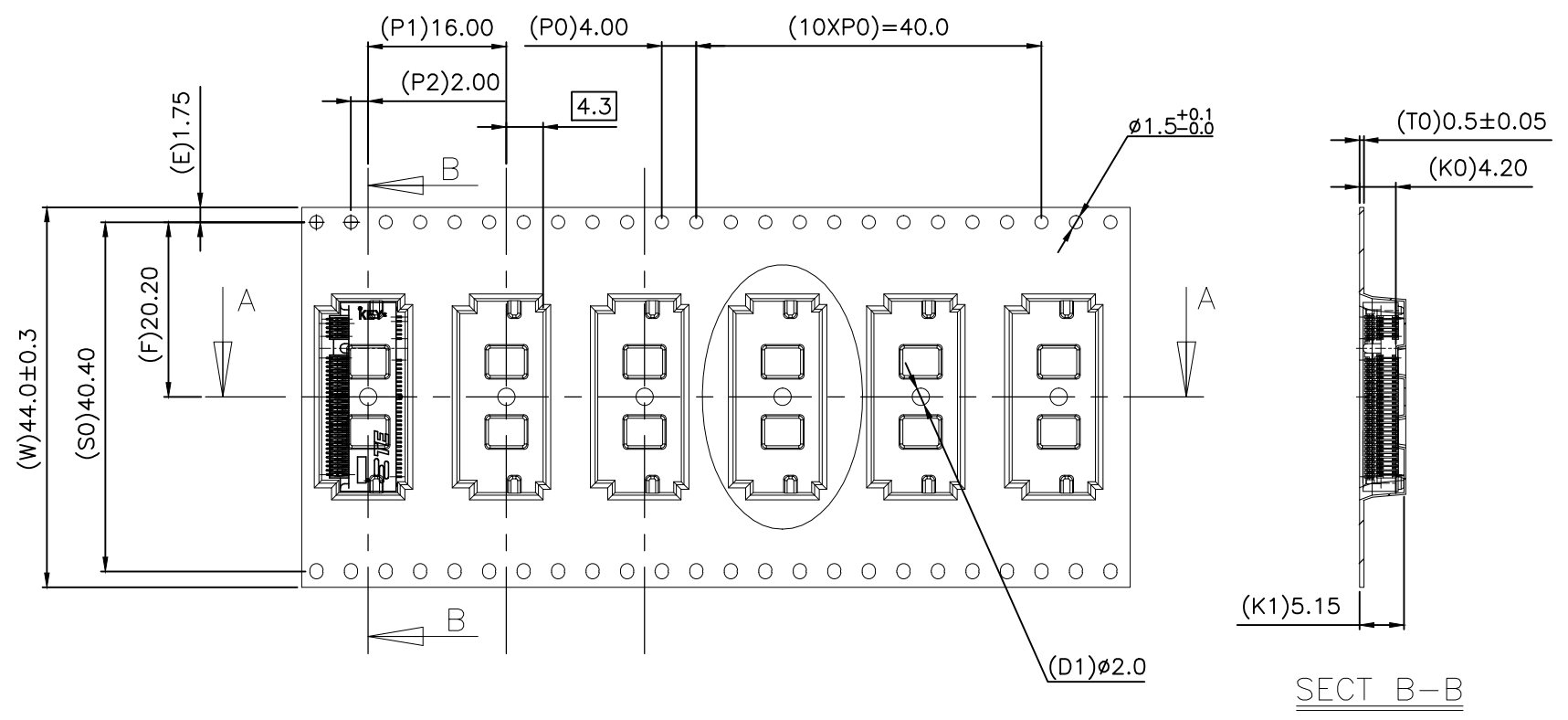
THIS DRAWING IS UNPUBLISHED. RELEASED FOR PUBLICATION
 © COPYRIGHT - By - ALL RIGHTS RESERVED.

| LOC | DIST | REVISIONS | | | | | |
|-----|------|-----------|-----|-------------|------|-----|------|
| | | P | LTR | DESCRIPTION | DATE | DWN | APVD |
| - | - | - | - | SEE SHEET 1 | - | - | - |



NOTES: (APPLIED TO CURRENT SHEET)

1. THE DIRECTION OF EACH CONNECTOR ON A EMBOSS IS REFERRED TO THIS DRAWING.
2. GENERAL TOLERANCE: ± 0.5 , $\pm 3^\circ$
3. PACKAGED IN EMBOSS TAPE AND PLASTIC RELL 1000PCS PER REEL.



| | | | | | | | |
|--|--|--------------------------------|---|------|-----------|------------|---------------|
| THIS DRAWING IS A CONTROLLED DOCUMENT. | | DWN SIMON WU 90CT2012 | TE Connectivity | | | | |
| DIMENSIONS: mm | | CHK SIMON LI 90CT2012 | | | | | |
| TOLERANCES UNLESS OTHERWISE SPECIFIED: | | APVD COREL WANG 90CT2012 | NAME | | | | |
| 0 PLC ± 0.30 1 PLC ± 0.30 2 PLC ± 0.20 3 PLC ± 0.10 4 PLC ± - ANGLES ± 3° | | PRODUCT SPEC | M.2(NGFF) MINI CARD MOUNTING TYPE 0.50mm PITCH 67 POS. 4.2mm HEIGHT FOR DOUBLE SIDED MODULE | | | | |
| MATERIAL | | FINISH | APPLICATION SPEC | SIZE | CAGE CODE | DRAWING NO | RESTRICTED TO |
| - | | - | WEIGHT | A3 | 00779 | C-2199230 | - |
| CUSTOMER DRAWING | | | SCALE | N/A | SHEET | 4 OF 4 | REV B2 |

Компания «Life Electronics» занимается поставками электронных компонентов импортного и отечественного производства от производителей и со складов крупных дистрибьюторов Европы, Америки и Азии.

С конца 2013 года компания активно расширяет линейку поставок компонентов по направлению коаксиальный кабель, кварцевые генераторы и конденсаторы (керамические, пленочные, электролитические), за счёт заключения дистрибьюторских договоров

Мы предлагаем:

- Конкуренспособные цены и скидки постоянным клиентам.
- Специальные условия для постоянных клиентов.
- Подбор аналогов.
- Поставку компонентов в любых объемах, удовлетворяющих вашим потребностям.
- Приемлемые сроки поставки, возможна ускоренная поставка.
- Доставку товара в любую точку России и стран СНГ.
- Комплексную поставку.
- Работу по проектам и поставку образцов.
- Формирование склада под заказчика.
- Сертификаты соответствия на поставляемую продукцию (по желанию клиента).
- Тестирование поставляемой продукции.
- Поставку компонентов, требующих военную и космическую приемку.
- Входной контроль качества.
- Наличие сертификата ISO.

В составе нашей компании организован Конструкторский отдел, призванный помогать разработчикам, и инженерам.

Конструкторский отдел помогает осуществить:

- Регистрацию проекта у производителя компонентов.
- Техническую поддержку проекта.
- Защиту от снятия компонента с производства.
- Оценку стоимости проекта по компонентам.
- Изготовление тестовой платы монтаж и пусконаладочные работы.



Тел: +7 (812) 336 43 04 (многоканальный)

Email: org@lifeelectronics.ru