

PLEASE CHECK WWW.MOLEX.COM FOR LATEST PART INFORMATION

Part Number: [0522711979](#)
Status: **Active**
Overview:
Description: 1.00mm (.039") Pitch FFC/FPC Connector, Right Angle, SMT, ZIF, Bottom Contact Style, 19 Circuits, Lead-free, High Barrier Packaging

Agency Certification

CSA LR19980
 UL E29179

General

Product Family FFC/FPC Connectors
 Series 52271
 Overview ffc_fpc_smt
 Product Name N/A

Physical

Circuits (Loaded) 19
 Color - Resin Natural
 Contact Position Bottom
 Durability (mating cycles max) 30
 Entry Angle 90° Angle
 Flammability 94V-0
 Mated Height (in) 0.118 In
 Mated Height (mm) 3.00 mm
 Material - Metal Phosphor Bronze
 Material - Plating Mating Tin-Bismuth
 Material - Plating Termination Tin-Bismuth
 Material - Resin Nylon
 Number of Rows 1
 Orientation Right Angle
 PCB Locator No
 PCB Retention Yes
 Packaging Type Embossed Tape on Reel
 Pitch - Mating Interface (in) 0.039 In
 Pitch - Mating Interface (mm) 1.00 mm
 Polarized to PCB Yes
 Stackable No
 Temperature Range - Operating -40°C to +85°C
 Termination Interface: Style Surface Mount
 Wire/Cable Type FFC/FPC

Electrical

Current - Maximum per Contact 0.5A
 Voltage - Maximum 50V AC (RMS)/DC

Material Info

Reference - Drawing Numbers

Application Specification AS-52271-001
 Packaging Specification SPK-52271-001, SPK-52271-002
 Product Specification PS-52271-053, RPS-52271-066, RPS-52271-067,
 RPS-52271-069, RPS-52271-070, RPS-52271-072,
 RPS-52271-073, RPS-52271-075, RPS-52271-080,
 RPS-52271-085, RPS-52271-087, RPS-52271-091
 Sales Drawing SD-52271-036, SD-52271-037

EU RoHS
ELV and RoHS
Compliant
REACH SVHC
 Not Reviewed
Halogen-Free
Status
Not Reviewed

China RoHS



Need more information on product environmental compliance?

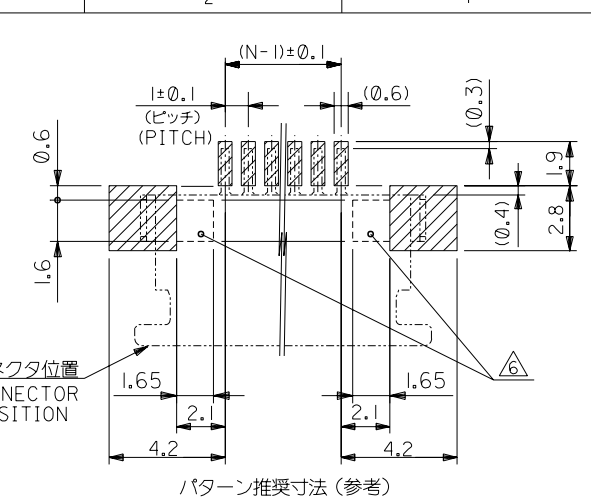
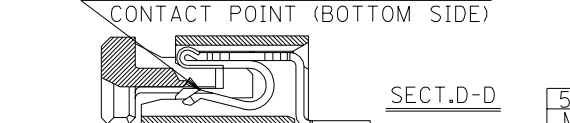
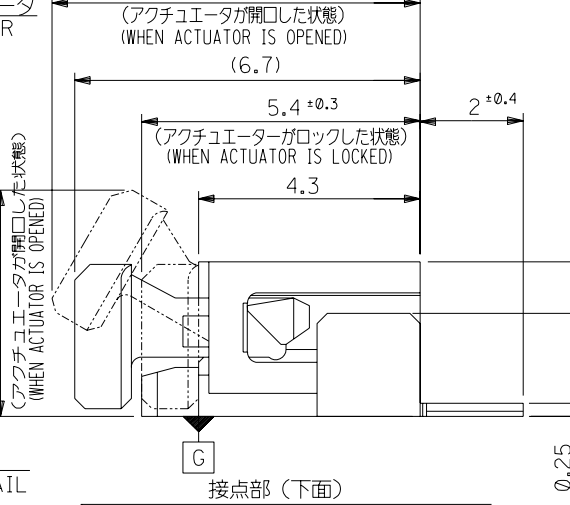
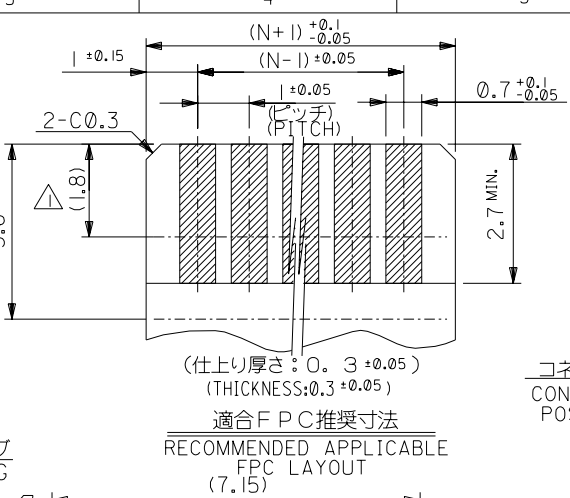
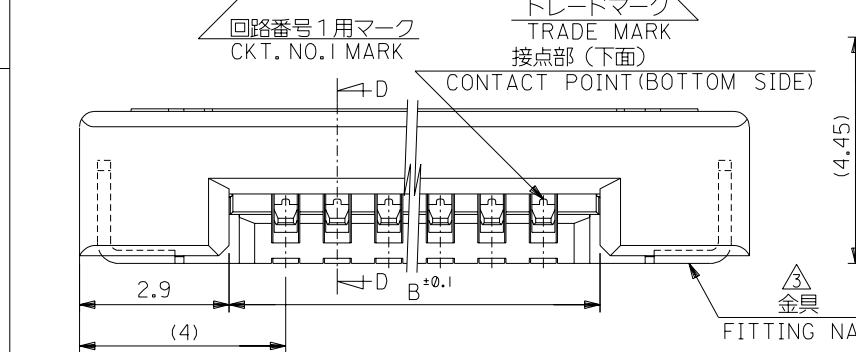
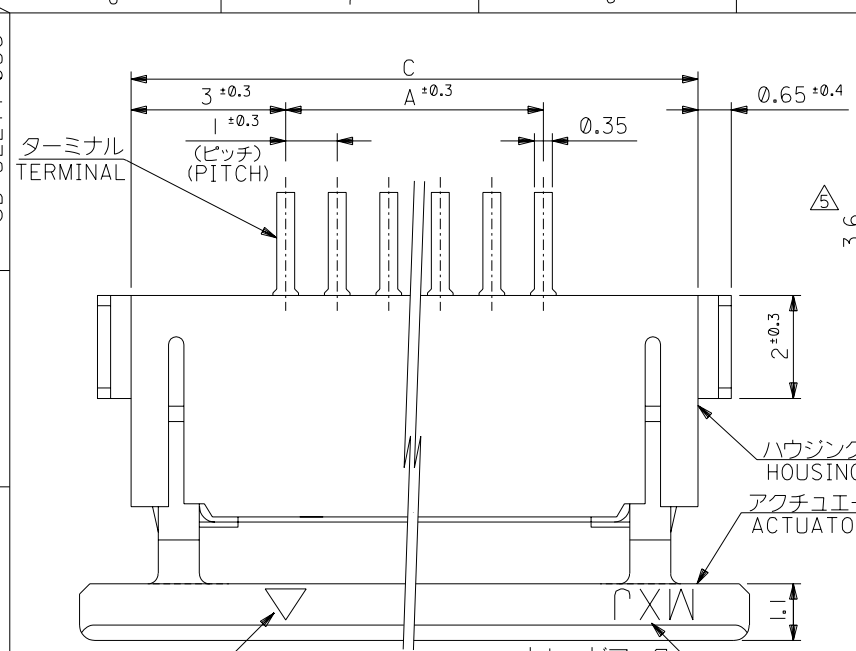
Email productcompliance@molex.com
 For a multiple part number RoHS Certificate of Compliance, [click here](#)

Please visit the [Contact Us](#) section for any non-product compliance questions.

Search Parts in this Series
[52271Series](#)

This document was generated on 06/04/2010

PLEASE CHECK WWW.MOLEX.COM FOR LATEST PART INFORMATION



パターン推奨寸法 (参考) RECOMMENDED PATTERN DIM. (REF.)

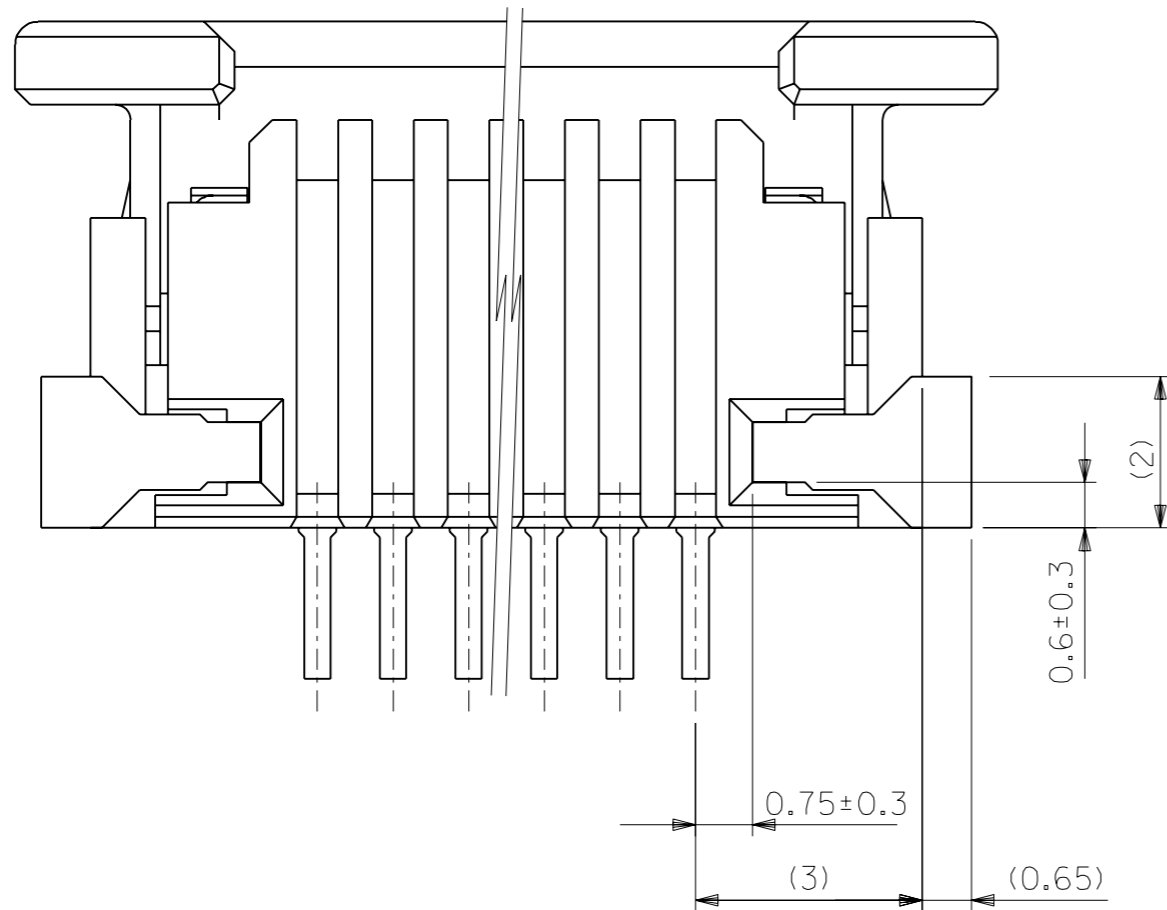
| | | | | |
|----|------|----|------------|----|
| 35 | 31.2 | 29 | 52271-3019 | 30 |
| 34 | 30.2 | 28 | -2919 | 29 |
| 33 | 29.2 | 27 | -2819 | 28 |
| 32 | 28.2 | 26 | -2719 | 27 |
| 31 | 27.2 | 25 | -2619 | 26 |
| 30 | 26.2 | 24 | -2519 | 25 |
| 29 | 25.2 | 23 | -2419 | 24 |
| 28 | 24.2 | 22 | -2319 | 23 |
| 27 | 23.2 | 21 | -2219 | 22 |
| 26 | 22.2 | 20 | -2119 | 21 |
| 25 | 21.2 | 19 | -2019 | 20 |
| 24 | 20.2 | 18 | -1919 | 19 |
| 23 | 19.2 | 17 | -1819 | 18 |
| 22 | 18.2 | 16 | -1719 | 17 |
| 21 | 17.2 | 15 | -1619 | 16 |
| 20 | 16.2 | 14 | -1519 | 15 |
| 19 | 15.2 | 13 | -1419 | 14 |
| 18 | 14.2 | 12 | -1319 | 13 |
| 17 | 13.2 | 11 | -1219 | 12 |
| 16 | 12.2 | 10 | -1119 | 11 |
| 15 | 11.2 | 9 | -1019 | 10 |
| 14 | 10.2 | 8 | -0919 | 9 |
| 13 | 9.2 | 7 | -0819 | 8 |
| 12 | 8.2 | 6 | -0719 | 7 |
| 11 | 7.2 | 5 | -0619 | 6 |
| 10 | 6.2 | 4 | -0519 | 5 |
| 9 | 5.2 | 3 | 52271-0419 | 4 |

| | | | | | |
|-------------|---|---|---|--------------|---------|
| 52271-**-19 | C | B | A | 52271-0419 | 極数 CKT. |
| MODEL NO. | | | | MATERIAL NO. | |

| | | | | | |
|-------------------------|-------|--------|----------------------|-------------|--------------------|
| 角度 ANGLE | ±3° | | | | |
| 30以上 OVER | +0.3 | B | 変更 REVISIED | (2004-3551) | H.K. K.S. 04/04/02 |
| 10以上 OVER 30未満 UNDER | +0.25 | A | 変更 REVISIED | (2004-3371) | H.K. K.S. 04/03/29 |
| 10未満 UNDER | +0.2 | ① | 新規作成 RELEASED | (2004-3059) | H.K. K.S. 04/03/12 |
| 一般公差 GENERAL TOLERANCES | | 記号 LTR | 変更内容 REVISION RECORD | | DR. 日付 DATE |

| | |
|-------------------------------|---------------------------|
| 材料 MATERIAL | 注記参照 SEE NOTES |
| 仕上げ FINISH | 注記参照 SEE NOTES |
| 適用電線範囲 WIRE RANGE | --- |
| 被覆外径 INS. RANGE | --- |
| DRAWN BY '04/03/12 H.KAWABATA | CHK'D BY '04/03/12 K.TOJO |
| APP'D BY '04/03/12 M.SASAO | 尺度 SCALE --- |

| | |
|--|----------------------|
| molex MOLEX-JAPAN CO.,LTD. 日本モレックス株式会社 | |
| REVISE ONLY ON CAD SYSTEM | |
| TITLE 名称 1.0 FPC CONN. Z.I.F. SMT (BOTTOM CONTACT) | |
| -LEAD FREE- | |
| DWG. NO. SD-52271-036 | (SHEET 1 OF 2) REV B |



下面図

注記 NOTES

- ① 接点部までの嵌合長さ。
LENGTH TO CONTACT POINT.
- 2. 使用材料 MATERIAL
ハウジング : 46ナイロン, UL94V-0
HOUSING : 46NYLON, UL94V-0
アクチュエータ : PPS, UL94V-0
ACTUATOR : PPS, UL94V-0
ターミナル : リン青銅 (t=0.25)
TERMINAL : PHOS-BRO.(t=0.25)
メッキ : 錫ビスマスメッキ 1.0マイクロメートル以上
PLATING : TIN-BISMUTH 1.0 MICROMETER MINIMUM
 : ニッケル下地 1.0マイクロメートル以上
PLATING : NICKEL(UNDER PLATING)1.0 MICROMETER MINIMUM
金具 : 銅合金 (t=0.25)
FITTING NAIL : COPPER ALLOY (t=0.25)
メッキ : 錫メッキ 1.0マイクロメートル以上
PLATING : TIN 1.0 MICROMETER MINIMUM
 : ニッケル下地 1.0マイクロメートル以上
PLATING : NICKEL(UNDER PLATING) 1.0 MICROMETER MINIMUM
- ③ パターンはくり止め用金具
FITTING NAIL FOR PREVENTION OF PEELING OF P.C.B.PATTERN.
- 4. エンボステープ梱包時は、アクチュエータがロックした状態とする。
WHEN CONNECTOR IS SHIPED, ACTUATOR SHOULD BE LOCKED.
- ⑤ FPC挿入深さ。
INSERTION DEPTH OF FPC
- ⑥ パターン書き込み禁止エリア。
NO FOOT PRINT AREA.
- 7. 本製品は52271-**-17の鉛フリー品である。
THIS PRODUCT IS LEAD FREE OF 52271-**-17.

FPCについて:

打抜き方向は導体側から補強板側を推奨致します。
補強フィルム材質はポリイミドを推奨致します。
接着剤は熱硬化接着剤を推奨致します。

ABOUT FPC:
RECOMMENDED PUNCHER DIRECTION :FROM CONDUCTOR SIDE TO STIFFENER BOARD SIDE.
RECOMMENDED MATERIAL :
STIFFENER FILM :POLYIMIDE
BONDING AGENT :THERMOSETTING BONDING AGENT

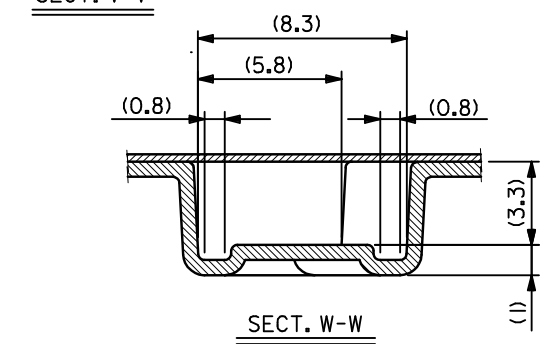
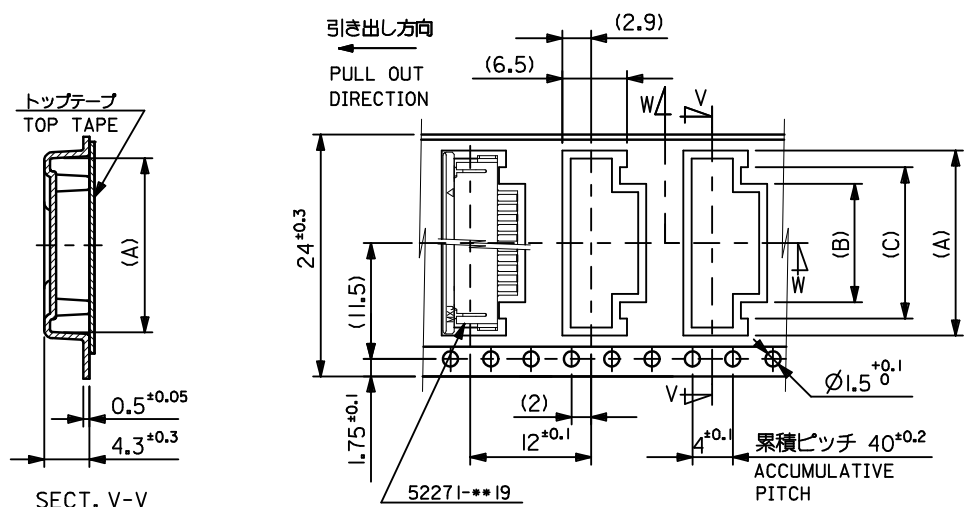
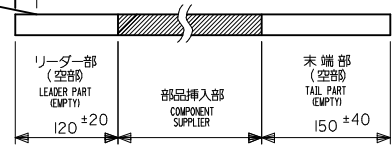
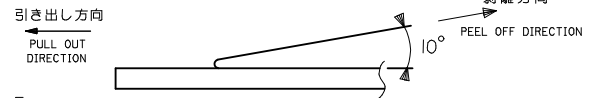
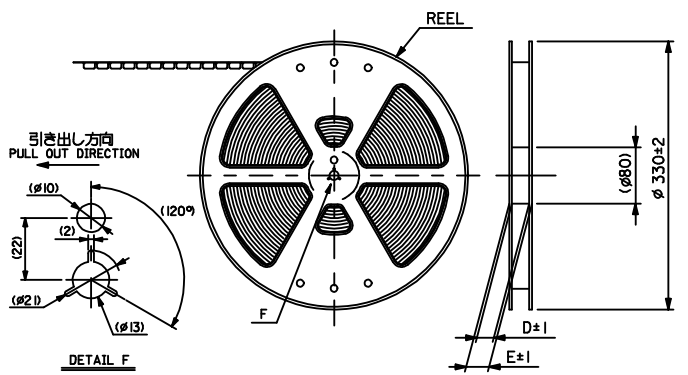
MODEL NO. 52271-**-19

| | | | | | |
|-------------------------|--|-----------------------------|--|---|--|
| 材料 MATERIAL | | 注記参照 SEE NOTES | | MOLEX-JAPAN CO.,LTD. 日本モレックス株式会社 | |
| 仕上げ FINISH | | 注記参照 SEE NOTES | | REVISE ONLY ON CAD SYSTEM | |
| 適用電線範囲 WIRE RANGE | | --- | | TITLE 名称 I.O FPC CONN. Z.I.F. SMT (BOTTON CONTACT) -LEAD FREE- | |
| 被覆外径 INS. RANGE | | --- | | DRAWN BY '04/03/12 H.KAWABATA CHK'D BY '04/03/12 K.TOJO | |
| 角度 ANGLE | | ±3° | | DWG. NO. (SHEET 2 OF 2) REV B | |
| 30 以上 OVER | | ±0.3 | | SD-52271-036 | |
| 10 以上 30 未満 OVER UNDER | | ±0.25 | | | |
| 10 未満 UNDER | | ±0.2 | | | |
| 一般公差 GENERAL TOLERANCES | | 記号 LTR 変更内容 REVISION RECORD | | DR. 日付 DATE CHK. SCALE --- | |

NOTES

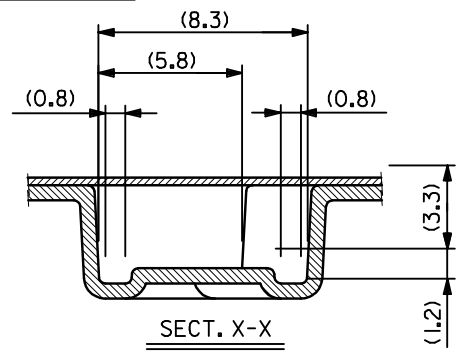
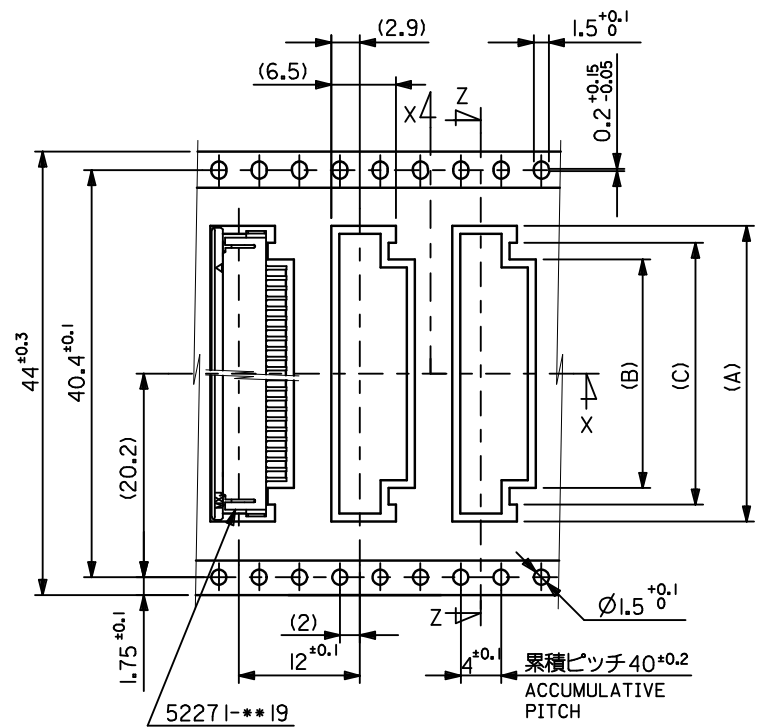
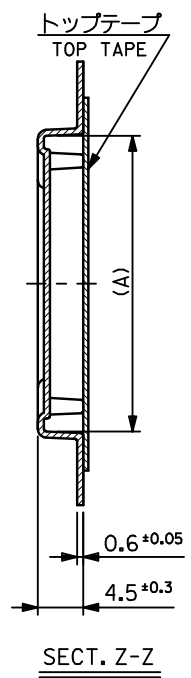
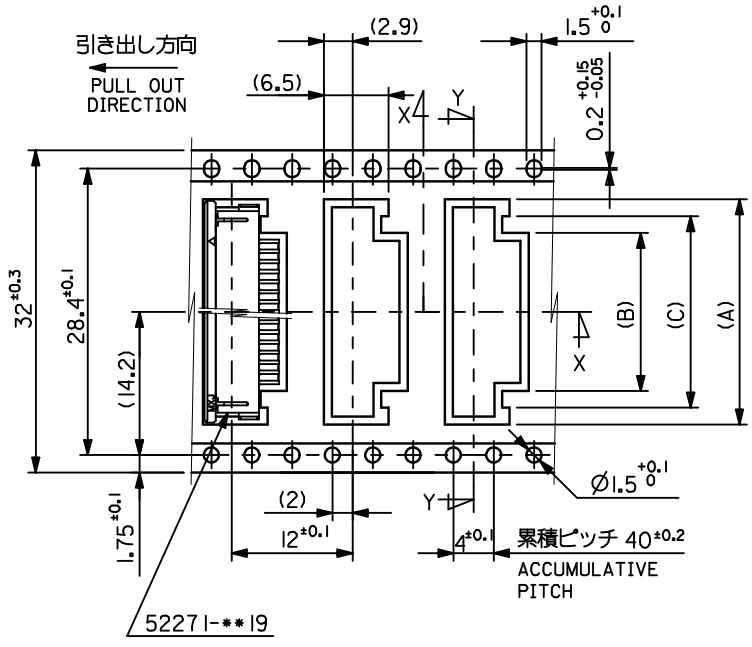
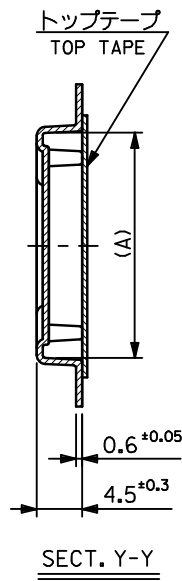
- 製品番号 52271-**-19 の梱包状態はアクチュエータがロックした状態とする。
IN THE PACKAGE, ACTUATOR OF PART NO. 52271-**-19 SHOULD BE LOCKED RE DETAILED DIMENSIONS, SEE SD-52271-036.
- 梱包数量: 1000個/リール
NUMBER OF CONNECTORS: 1000 PCS/REEL
- リードテープ長さ LEAD TAPE LENGTH

| | |
|---|--|
| トップテープ リーダー部 TOP TAPE LEADER PART | トップテープ 未接着部 TOP TAPE NON-BONDED PART |
| 175 ±25 | 25 ±5 |
- トップテープの剥離強度: 0.1~1.3N (10~130gf) (剥離方向は下図参照)
尚、本規格値は、出荷時に適用。(但し、輸送時に剥離が発生しない事。)
PEELING OFF FORCE OF TOP TAPE: 0.1~1.3N (10~130gf)
(PEELING DIRECTION AS SHOWN IN FOLLOWING FIG.)
THIS REQUIREMENT SHOULD BE APPLIED AT SHIPMENT
PEEL OFF SHOULD NOT BE ALLOWED, DURING TRANSPORTATION
- 材料 (MATERIAL)
キャリアテープ (CARRIER TAPE): ポリプロピレン (POLYPROPYLENE)
トップテープ (TOP TAPE): PET, PE, PEF
リール (REEL): ポリスチレン (PS) <リサイクル材を含む>
POLYSTYRENE (PS) <RECYCLE MATERIAL CONTAINED>
- 本製品は52271-**-19の鉛フリー品である。
THIS PRODUCT IS LEAD FREE OF 52271-**-19.
- 本製品は乾燥剤入り、ハイバリア梱包仕様である。
THIS PRODUCT IS HIGH BARRIER PACKAGE WITH DESICCANT.



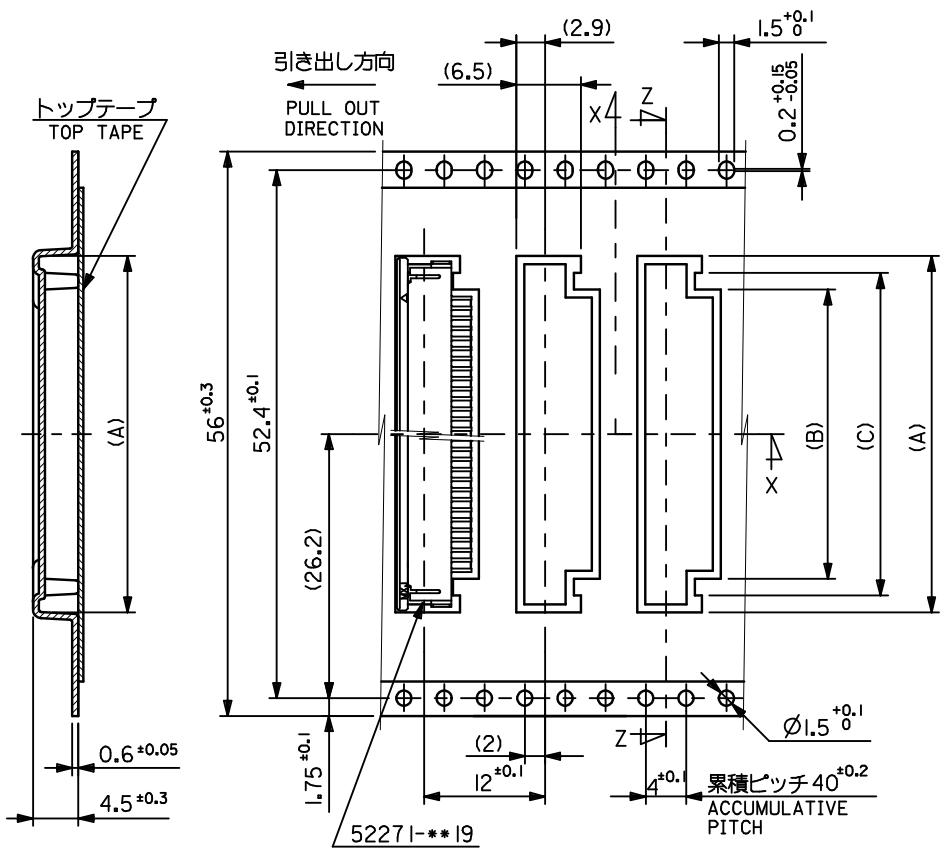
| | | | | | | | |
|----|------|------|-----|------|------|--------------|------------|
| 24 | 29.4 | 25.4 | 15 | 11.4 | 18.3 | 52271-1179 | 11 |
| | | | 14 | 10.4 | 17.3 | -1079 | 10 |
| | | | 13 | 9.4 | 16.3 | -0979 | 9 |
| | | | 12 | 8.4 | 15.3 | -0879 | 8 |
| | | | 11 | 7.4 | 14.3 | -0779 | 7 |
| | | | 10 | 6.4 | 13.3 | -0679 | 6 |
| | | | 9 | 5.4 | 12.3 | -0579 | 5 |
| | | | 8 | 4.4 | 11.3 | 52271-0479 | 4 |
| | | | (C) | (B) | (A) | MATERIAL NO. | 種数 CKT. |

| | | | | | | |
|--|-------------|---------------------------------------|----------------------------|---|--|------------------------|
| REVISED EC NO: J2009-2061 DRWN:TKON 2009/05/20 CHKD:HMATSUMOTO 2009/05/21 APPR:NIKI ITA 2009/05/21 | DESCRIPTION | GENERAL TOLERANCES (UNLESS SPECIFIED) | DIMENSION STYLE MM ONLY | SCALE --- | DESIGN UNITS METRIC | THIRD ANGLE PROJECTION |
| | | 10 UNDER ±0.2 | DRAWN BY H. KAWABATA | DATE 2004/03/12 | TITLE EMBOSSED TAPE PACKAGE FOR 52271-**-19 -LEAD FREE- | |
| | | 10 OVER 30 UNDER ±0.25 | CHECKED BY K. TOJO | DATE 2004/03/12 | MOLEX INCORPORATED | |
| | | 30 OVER ±0.3 | APPROVED BY M. SASAO | DATE 2004/03/12 | DOCUMENT NO. SD-52271-037 | |
| A | REV | ANGULAR ±3 | MATERIAL NO. | SEE TABLE | SHEET NO. 1 OF 3 | |
| DRAFT WHERE APPLICABLE MUST REMAIN WITHIN DIMENSIONS | | | SIZE A3 | THIS DRAWING CONTAINS INFORMATION THAT IS PROPRIETARY TO MOLEX INCORPORATED AND SHOULD NOT BE USED WITHOUT WRITTEN PERMISSION | | |

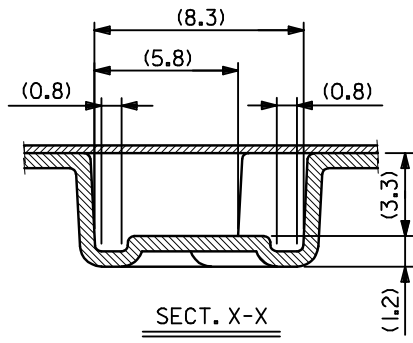


| | | | | | | | | | | |
|----|------|-------|-----|------|-------|--------------|------------|-------|-------|----|
| 44 | 49.4 | 45.4 | 31 | 27.4 | 34.35 | 52271-2779 | 27 | | | |
| | | | 30 | 26.4 | 33.35 | -2679 | 26 | | | |
| | | | 29 | 25.4 | 32.35 | -2579 | 25 | | | |
| | | | 28 | 24.4 | 31.35 | -2479 | 24 | | | |
| | | | 27 | 23.4 | 30.35 | -2379 | 23 | | | |
| | | | 26 | 22.4 | 29.35 | -2279 | 22 | | | |
| | | | 25 | 21.4 | 28.35 | -2179 | 21 | | | |
| | | | 24 | 20.4 | 27.35 | -2079 | 20 | | | |
| | | | 23 | 19.4 | 26.35 | -1979 | 19 | | | |
| | | | 22 | 18.4 | 25.35 | -1879 | 18 | | | |
| | | | 21 | 17.4 | 24.35 | -1779 | 17 | | | |
| | | | 20 | 16.4 | 23.35 | -1679 | 16 | | | |
| | | | 32 | 37.4 | 33.4 | 19 | 15.4 | 22.35 | -1579 | 15 |
| | | | | | | 18 | 14.4 | 21.35 | -1479 | 14 |
| 17 | 13.4 | 20.35 | | | | -1379 | 13 | | | |
| 16 | 12.4 | 19.35 | | | | 52271-1279 | 12 | | | |
| | | | (C) | (B) | (A) | MATERIAL NO. | 標数 CKT. | | | |

| | | | | | | |
|---|--|----------------------------|--------------------|--|------------------------|------------------------------|
| REVISED EC NO.: J2009-2061 DRWN:TKON 2009/05/20 CHKD:HATSUMOTO 2009/05/21 APPR:NIKI ITA 2009/05/21 REV: A | DESCRIPTION GENERAL TOLERANCES (UNLESS SPECIFIED) 10 UNDER ±0.2 10 OVER 30 UNDER ±0.25 30 OVER ±0.3 ANGULAR ±3° DRAFT WHERE APPLICABLE MUST REMAIN WITHIN DIMENSIONS | DIMENSION STYLE MM ONLY | SCALE --- | DESIGN UNITS METRIC | THIRD ANGLE PROJECTION | |
| | | DRAWN BY H. KAWABATA | DATE 2004/03/12 | TITLE EMBOSSED TAPE PACKAGE FOR 52271-**-19 -LEAD FREE- | | |
| | | CHECKED BY K. TOJO | DATE 2004/03/12 | MOLEX INCORPORATED | | |
| | | APPROVED BY M. SASAO | DATE 2004/03/12 | MATERIAL NO. SEE TABLE | | DOCUMENT NO. SD-52271-037 |
| SIZE A3 THIS DRAWING CONTAINS INFORMATION THAT IS PROPRIETARY TO MOLEX INCORPORATED AND SHOULD NOT BE USED WITHOUT WRITTEN PERMISSION | | | | | | |



SECT. Z-Z



SECT. X-X

| | | | | | | | |
|--------------------------------|------|------|-----|------|-------|--------------|-------------|
| 56 | 61.4 | 57.4 | 34 | 30.4 | 37.35 | 52271-3079 | 30 |
| | | | 33 | 29.4 | 36.35 | 52271-2979 | 29 |
| | | | 32 | 28.4 | 35.35 | 52271-2879 | 28 |
| キャリアテープ幅 CARRIER TAPE WIDTH | E | D | (C) | (B) | (A) | MATERIAL NO. | 種 数 CKT. |

| | | | | | | | | | |
|---|---|-------------------------|----------------------------|--------------------|---------------------------|--|------------------------------|--|---------------------|
| REVISED EC NO.: J2009-2061 DRWN:TKON CHK'D:HMATSUMOTO APPR:NIKI ITA 2009/05/20 2009/05/21 2009/05/21 | GENERAL TOLERANCES (UNLESS SPECIFIED) | | DIMENSION STYLE MM ONLY | | SCALE --- | DESIGN UNITS METRIC | THIRD ANGLE PROJECTION | | |
| | 10 UNDER ±0.2 10 OVER 30 UNDER ±0.25 30 OVER ±0.3 | DRAWN BY H. KAWABATA | | DATE 2004/03/12 | | TITLE EMBOSSED TAPE PACKAGE FOR 52271-**-19 -LEAD FREE- | | | |
| | ANGULAR ±3° DRAFT WHERE APPLICABLE MUST REMAIN WITHIN DIMENSIONS | | CHECKED BY K. TOJO | | DATE 2004/03/12 | | MOLEX INCORPORATED | | |
| | APPROVED BY M. SASAO | | DATE 2004/03/12 | | MATERIAL NO. SEE TABLE | | DOCUMENT NO. SD-52271-037 | | SHEET NO. 3 OF 3 |

THIS DRAWING CONTAINS INFORMATION THAT IS PROPRIETARY TO MOLEX INCORPORATED AND SHOULD NOT BE USED WITHOUT WRITTEN PERMISSION

Компания «Life Electronics» занимается поставками электронных компонентов импортного и отечественного производства от производителей и со складов крупных дистрибьюторов Европы, Америки и Азии.

С конца 2013 года компания активно расширяет линейку поставок компонентов по направлению коаксиальный кабель, кварцевые генераторы и конденсаторы (керамические, пленочные, электролитические), за счёт заключения дистрибьюторских договоров

Мы предлагаем:

- Конкурентоспособные цены и скидки постоянным клиентам.
- Специальные условия для постоянных клиентов.
- Подбор аналогов.
- Поставку компонентов в любых объемах, удовлетворяющих вашим потребностям.
- Приемлемые сроки поставки, возможна ускоренная поставка.
- Доставку товара в любую точку России и стран СНГ.
- Комплексную поставку.
- Работу по проектам и поставку образцов.
- Формирование склада под заказчика.
- Сертификаты соответствия на поставляемую продукцию (по желанию клиента).
- Тестирование поставляемой продукции.
- Поставку компонентов, требующих военную и космическую приемку.
- Входной контроль качества.
- Наличие сертификата ISO.

В составе нашей компании организован Конструкторский отдел, призванный помогать разработчикам, и инженерам.

Конструкторский отдел помогает осуществить:

- Регистрацию проекта у производителя компонентов.
- Техническую поддержку проекта.
- Защиту от снятия компонента с производства.
- Оценку стоимости проекта по компонентам.
- Изготовление тестовой платы монтаж и пусконаладочные работы.



Тел: +7 (812) 336 43 04 (многоканальный)

Email: org@lifeelectronics.ru