

FEATURES

- 1 Ω typical on resistance
- 0.2 Ω on resistance flatness
- ± 3.3 V to ± 8 V dual-supply operation
- 3.3 V to 16 V single-supply operation
- No V_L supply required
- 3 V logic-compatible inputs
- Rail-to-rail operation
- Continuous current per channel
 - LFCSP package: 280 mA
 - TSSOP package: 175 mA
- 16-lead TSSOP and 16-lead, 4 mm \times 4 mm LFCSP

APPLICATIONS

- Communication systems
- Medical systems
- Audio signal routing
- Video signal routing
- Automatic test equipment
- Data acquisition systems
- Battery-powered systems
- Sample-and-hold systems
- Relay replacements

GENERAL DESCRIPTION

The **ADG1611/ADG1612/ADG1613** contain four independent single-pole/single-throw (SPST) switches. The **ADG1611** and **ADG1612** differ only in that the digital control logic is inverted. The **ADG1611** switches are turned on with Logic 0 on the appropriate control input, while Logic 1 is required for the **ADG1612** switches. The **ADG1613** has two switches with digital control logic similar to that of the **ADG1611**; the logic is inverted on the other two switches. Each switch conducts equally well in both directions when on and has an input signal range that extends to the supplies. In the off condition, signal levels up to the supplies are blocked.

The **ADG1613** exhibits break-before-make switching action for use in multiplexer applications. Inherent in the design is the low charge injection for minimum transients when switching the digital inputs.

The ultralow on resistance of these switches make them ideal solutions for data acquisition and gain switching applications where low on resistance and distortion is critical. The on resistance profile is very flat over the full analog input range, ensuring excellent linearity and low distortion when switching audio signals.

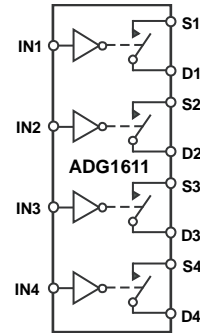
The CMOS construction ensures ultralow power dissipation, making them ideally suited for portable and battery-powered instruments.

Rev. C

[Document Feedback](#)

Information furnished by Analog Devices is believed to be accurate and reliable. However, no responsibility is assumed by Analog Devices for its use, nor for any infringements of patents or other rights of third parties that may result from its use. Specifications subject to change without notice. No license is granted by implication or otherwise under any patent or patent rights of Analog Devices. Trademarks and registered trademarks are the property of their respective owners.

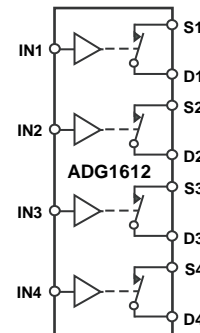
FUNCTIONAL BLOCK DIAGRAMS



NOTES
1. SWITCHES SHOWN FOR A LOGIC 1 INPUT.

07981-001

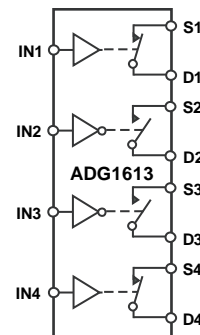
Figure 1.



NOTES
1. SWITCHES SHOWN FOR A LOGIC 1 INPUT.

07981-033

Figure 2.



NOTES
1. SWITCHES SHOWN FOR A LOGIC 1 INPUT.

07981-034

Figure 3.

PRODUCT HIGHLIGHTS

1. 1.6 Ω maximum on resistance over temperature.
2. Minimum distortion: THD + N = 0.007%.
3. 3 V logic-compatible digital inputs: $V_{INH} = 2.0$ V, $V_{INL} = 0.8$ V.
4. No V_L logic power supply required.
5. Ultralow power dissipation: <16 nW.
6. 16-lead TSSOP and 16-lead, 4 mm \times 4 mm LFCSP.

TABLE OF CONTENTS

| | | | |
|--------------------------------|---|--|----|
| Features | 1 | 3.3 V Single Supply..... | 6 |
| Applications..... | 1 | Continuous Current per Channel, S or D..... | 7 |
| General Description | 1 | Absolute Maximum Ratings | 8 |
| Functional Block Diagrams..... | 1 | ESD Caution..... | 8 |
| Product Highlights | 1 | Pin Configurations and Function Descriptions | 9 |
| Revision History | 2 | Typical Performance Characteristics | 10 |
| Specifications..... | 3 | Test Circuits..... | 13 |
| ±5 V Dual Supply | 3 | Terminology | 15 |
| 12 V Single Supply..... | 4 | Outline Dimensions | 16 |
| 5 V Single Supply..... | 5 | Ordering Guide | 16 |

REVISION HISTORY

5/15—Rev. B to Rev. C

| | |
|----------------------------------|------------|
| Changed NC Pin to NIC Pin..... | Throughout |
| Updated Outline Dimensions | 16 |
| Changes to Ordering Guide | 16 |

3/12—Rev. A to Rev. B

| | |
|---------------------------|----|
| Changes to Figure 16..... | 11 |
|---------------------------|----|

8/09—Rev. 0 to Rev. A

| | |
|---|----|
| Changes to On Resistance (R_{ON}) Parameter, On Resistance Match Between Channels (ΔR_{ON}) Parameter, and On Resistance Flatness (R_{FLATON}) Parameter, Table 4 | 6 |
| Changes to Figure 7 Caption..... | 10 |

1/09—Revision 0: Initial Version

SPECIFICATIONS

±5 V DUAL SUPPLY

$V_{DD} = +5\text{ V} \pm 10\%$, $V_{SS} = -5\text{ V} \pm 10\%$, GND = 0 V, unless otherwise noted.

Table 1.

| Parameter | 25°C | -40°C to +85°C | -40°C to +125°C | Unit | Test Conditions/Comments |
|--|-----------|----------------|----------------------|-------------------|---|
| ANALOG SWITCH | | | | | |
| Analog Signal Range | | | V_{DD} to V_{SS} | V | |
| On Resistance (R_{ON}) | 1 | | | Ω typ | $V_S = \pm 4.5\text{ V}$, $I_S = -10\text{ mA}$; see Figure 24 |
| | 1.2 | 1.4 | 1.6 | Ω max | $V_{DD} = \pm 4.5\text{ V}$, $V_{SS} = \pm 4.5\text{ V}$ |
| On Resistance Match Between Channels (ΔR_{ON}) | 0.04 | 0.09 | 0.1 | Ω typ | $V_S = \pm 4.5\text{ V}$, $I_S = -10\text{ mA}$ |
| | 0.08 | | | Ω max | |
| On Resistance Flatness ($R_{FLAT(ON)}$) | 0.2 | | | Ω typ | $V_S = \pm 4.5\text{ V}$, $I_S = -10\text{ mA}$ |
| | 0.25 | 0.29 | 0.34 | Ω max | |
| LEAKAGE CURRENTS | | | | | |
| Source Off Leakage, I_S (Off) | ± 0.1 | | | nA typ | $V_{DD} = +5.5\text{ V}$, $V_{SS} = -5.5\text{ V}$ |
| | ± 0.3 | ± 1 | ± 6 | nA max | $V_S = \pm 4.5\text{ V}$, $V_D = \mp 4.5\text{ V}$; see Figure 25 |
| Drain Off Leakage, I_D (Off) | ± 0.1 | | | nA typ | $V_S = \pm 4.5\text{ V}$, $V_D = \mp 4.5\text{ V}$; see Figure 25 |
| | ± 0.3 | ± 1 | ± 6 | nA max | |
| Channel On Leakage, I_D , I_S (On) | ± 0.2 | | | nA typ | $V_S = V_D = \pm 4.5\text{ V}$; see Figure 26 |
| | ± 0.4 | ± 1.5 | ± 10 | nA max | |
| DIGITAL INPUTS | | | | | |
| Input High Voltage, V_{INH} | | | 2.0 | V min | |
| Input Low Voltage, V_{INL} | | | 0.8 | V max | |
| Input Current, I_{INL} or I_{INH} | +0.005 | | ± 0.1 | μA typ | $V_{IN} = V_{GND}$ or V_{DD} |
| | | | ± 0.1 | μA max | |
| Digital Input Capacitance, C_{IN} | 5 | | | pF typ | |
| DYNAMIC CHARACTERISTICS¹ | | | | | |
| t_{ON} | 165 | | | ns typ | $R_L = 300\ \Omega$, $C_L = 35\text{ pF}$ |
| | 212 | 253 | 285 | ns max | $V_S = 2.5\text{ V}$; see Figure 31 |
| t_{OFF} | 105 | | | ns typ | $R_L = 300\ \Omega$, $C_L = 35\text{ pF}$ |
| | 137 | 150 | 159 | ns max | $V_S = 2.5\text{ V}$; see Figure 31 |
| Break-Before-Make Time Delay, t_D (ADG1613 Only) | 25 | | | ns typ | $R_L = 300\ \Omega$, $C_L = 35\text{ pF}$ |
| | | | 20 | ns min | $V_{S1} = V_{S2} = 2.5\text{ V}$; see Figure 32 |
| Charge Injection | 140 | | | pC typ | $V_S = 0\text{ V}$, $R_S = 0\ \Omega$, $C_L = 1\text{ nF}$; see Figure 33 |
| Off Isolation | 70 | | | dB typ | $R_L = 50\ \Omega$, $C_L = 5\text{ pF}$, $f = 1\text{ MHz}$; see Figure 27 |
| Channel-to-Channel Crosstalk | 110 | | | dB typ | $R_L = 50\ \Omega$, $C_L = 5\text{ pF}$, $f = 1\text{ MHz}$; see Figure 28 |
| Total Harmonic Distortion + Noise (THD + N) | 0.007 | | | % typ | $R_L = 110\ \Omega$, 5 V p-p, $f = 20\text{ Hz}$ to 20 kHz; see Figure 30 |
| -3 dB Bandwidth | 42 | | | MHz typ | $R_L = 50\ \Omega$, $C_L = 5\text{ pF}$; see Figure 29 |
| C_S (Off) | 63 | | | pF typ | $V_S = 0\text{ V}$, $f = 1\text{ MHz}$ |
| C_D (Off) | 63 | | | pF typ | $V_S = 0\text{ V}$, $f = 1\text{ MHz}$ |
| C_D , C_S (On) | 154 | | | pF typ | $V_S = 0\text{ V}$, $f = 1\text{ MHz}$ |
| POWER REQUIREMENTS | | | | | |
| I_{DD} | 0.001 | | | μA typ | $V_{DD} = +5.5\text{ V}$, $V_{SS} = -5.5\text{ V}$ |
| | | | 1.0 | μA max | Digital inputs = 0 V or V_{DD} |
| V_{DD}/V_{SS} | | | $\pm 3.3/\pm 8$ | V min/max | |

¹ Guaranteed by design, not subject to production test.

12 V SINGLE SUPPLY

$V_{DD} = 12\text{ V} \pm 10\%$, $V_{SS} = 0\text{ V}$, $GND = 0\text{ V}$, unless otherwise noted.

Table 2.

| Parameter | 25°C | -40°C to +85°C | -40°C to +125°C | Unit | Test Conditions/Comments |
|--|-----------|-------------------|--------------------|-------------------|---|
| ANALOG SWITCH | | | | | |
| Analog Signal Range | | | 0 V to V_{DD} | V | |
| On Resistance (R_{ON}) | 0.95 | | | Ω typ | $V_S = 0\text{ V to } 10\text{ V}$, $I_S = -10\text{ mA}$; see Figure 24 |
| | 1.1 | 1.25 | 1.45 | Ω max | $V_{DD} = 10.8\text{ V}$, $V_{SS} = 0\text{ V}$ |
| On Resistance Match Between Channels (ΔR_{ON}) | 0.03 | | | Ω typ | $V_S = 0\text{ V to } 10\text{ V}$, $I_S = -10\text{ mA}$ |
| | 0.06 | 0.7 | 0.08 | Ω max | |
| On Resistance Flatness ($R_{FLAT(ON)}$) | 0.2 | | | Ω typ | $V_S = 0\text{ V to } 10\text{ V}$, $I_S = -10\text{ mA}$ |
| | 0.23 | 0.27 | 0.32 | Ω max | |
| LEAKAGE CURRENTS | | | | | |
| Source Off Leakage, I_S (Off) | ± 0.1 | | | nA typ | $V_{DD} = 13.2\text{ V}$, $V_{SS} = 0\text{ V}$ |
| | ± 0.3 | ± 1 | ± 6 | nA max | $V_S = 1\text{ V}/10\text{ V}$, $V_S = 10\text{ V}/1\text{ V}$, see Figure 25 |
| Drain Off Leakage, I_D (Off) | ± 0.1 | | | nA typ | $V_S = 1\text{ V}/10\text{ V}$, $V_S = 10\text{ V}/1\text{ V}$ see Figure 25 |
| | ± 0.3 | ± 1 | ± 6 | nA max | |
| Channel On Leakage, I_D , I_S (On) | ± 0.2 | | | nA typ | $V_S = V_D = 1\text{ V or } 10\text{ V}$; see Figure 26 |
| | ± 0.4 | ± 1.5 | ± 10 | nA max | |
| DIGITAL INPUTS | | | | | |
| Input High Voltage, V_{INH} | | | 2.0 | V min | |
| Input Low Voltage, V_{INL} | | | 0.8 | V max | |
| Input Current, I_{INL} or I_{INH} | 0.001 | | | μA typ | $V_{IN} = V_{GND}$ or V_{DD} |
| | | | ± 0.1 | μA max | |
| Digital Input Capacitance, C_{IN} | 5 | | | pF typ | |
| DYNAMIC CHARACTERISTICS¹ | | | | | |
| t_{ON} | 125 | | | ns typ | $R_L = 300\ \Omega$, $C_L = 35\text{ pF}$ |
| | 156 | 190 | 215 | ns max | $V_S = 8\text{ V}$; see Figure 31 |
| t_{OFF} | 75 | | | ns typ | $R_L = 300\ \Omega$, $C_L = 35\text{ pF}$ |
| | 87 | 93 | 99 | ns max | $V_S = 8\text{ V}$; see Figure 31 |
| Break-Before-Make Time Delay, t_D (ADG1613 Only) | 35 | | | ns typ | $R_L = 300\ \Omega$, $C_L = 35\text{ pF}$ |
| | | | 30 | ns min | $V_{S1} = V_{S2} = 8\text{ V}$; see Figure 32 |
| Charge Injection | 170 | | | pC typ | $V_S = 6\text{ V}$, $R_S = 0\ \Omega$, $C_L = 1\text{ nF}$; see Figure 33 |
| Off Isolation | 70 | | | dB typ | $R_L = 50\ \Omega$, $C_L = 5\text{ pF}$, $f = 1\text{ MHz}$; see Figure 27 |
| Channel-to-Channel Crosstalk | 110 | | | dB typ | $R_L = 50\ \Omega$, $C_L = 5\text{ pF}$, $f = 1\text{ MHz}$; see Figure 28 |
| Total Harmonic Distortion + Noise | 0.012 | | | % typ | $R_L = 110\ \Omega$, 5 V p-p, $f = 20\text{ Hz to } 20\text{ kHz}$; see Figure 30 |
| -3 dB Bandwidth | 38 | | | MHz typ | $R_L = 50\ \Omega$, $C_L = 5\text{ pF}$; see Figure 29 |
| C_S (Off) | 60 | | | pF typ | $V_S = 6\text{ V}$, $f = 1\text{ MHz}$ |
| C_D (Off) | 60 | | | pF typ | $V_S = 6\text{ V}$, $f = 1\text{ MHz}$ |
| C_D , C_S (On) | 154 | | | pF typ | $V_S = 6\text{ V}$, $f = 1\text{ MHz}$ |
| POWER REQUIREMENTS | | | | | |
| I_{DD} | 0.001 | | | μA typ | $V_{DD} = 12\text{ V}$ |
| | | | 1 | μA max | Digital inputs = 0 V or V_{DD} |
| I_{DD} | 320 | | | μA typ | Digital inputs = 5 V |
| | | | 480 | μA max | |
| V_{DD} | | | 3.3/16 | V min/max | |

¹ Guaranteed by design, not subject to production test.

5 V SINGLE SUPPLY

$V_{DD} = 5\text{ V} \pm 10\%$, $V_{SS} = 0\text{ V}$, $GND = 0\text{ V}$, unless otherwise noted.

Table 3.

| Parameter | 25°C | -40°C to +85°C | -40°C to 125°C | Unit | Test Conditions/Comments |
|--|------------|-------------------|-------------------|-------------------|--|
| ANALOG SWITCH | | | | | |
| Analog Signal Range | | | 0 V to V_{DD} | V | |
| On Resistance (R_{ON}) | 1.7 | | | Ω typ | $V_S = 0\text{ V to } 4.5\text{ V}$, $I_S = -10\text{ mA}$; see Figure 24 |
| | 2.15 | 2.4 | 2.7 | Ω max | $V_{DD} = 4.5\text{ V}$, $V_{SS} = 0\text{ V}$ |
| On Resistance Match Between Channels (ΔR_{ON}) | 0.05 | | | Ω typ | $V_S = 0\text{ V to } 4.5\text{ V}$, $I_S = -10\text{ mA}$ |
| | 0.09 | 0.12 | 0.15 | Ω max | |
| On Resistance Flatness ($R_{FLAT(ON)}$) | 0.4 | | | Ω typ | $V_S = 0\text{ V to } 4.5\text{ V}$, $I_S = -10\text{ mA}$ |
| | 0.53 | 0.55 | 0.6 | Ω max | |
| LEAKAGE CURRENTS | | | | | |
| Source Off Leakage, I_S (Off) | ± 0.05 | | | nA typ | $V_{DD} = 5.5\text{ V}$, $V_{SS} = 0\text{ V}$ $V_S = 1\text{ V}/4.5\text{ V}$, $V_D = 4.5\text{ V}/1\text{ V}$; see Figure 25 |
| | ± 0.3 | ± 1 | ± 6 | nA max | |
| Drain Off Leakage, I_D (Off) | ± 0.05 | | | nA typ | $V_S = 1\text{ V}/4.5\text{ V}$, $V_D = 4.5\text{ V}/1\text{ V}$; see Figure 25 |
| | ± 0.3 | ± 1 | ± 6 | nA max | |
| Channel On Leakage, I_D , I_S (On) | ± 0.15 | | | nA typ | $V_S = V_D = 1\text{ V or } 4.5\text{ V}$; see Figure 26 |
| | ± 0.4 | ± 1.5 | ± 10 | nA max | |
| DIGITAL INPUTS | | | | | |
| Input High Voltage, V_{INH} | | | 2.0 | V min | |
| Input Low Voltage, V_{INL} | | | 0.8 | V max | |
| Input Current, I_{INL} or I_{INH} | 0.001 | | | μA typ | $V_{IN} = V_{GND}$ or V_{DD} |
| | | | ± 0.1 | μA max | |
| Digital Input Capacitance, C_{IN} | 5 | | | pF typ | |
| DYNAMIC CHARACTERISTICS¹ | | | | | |
| t_{ON} | 215 | | | ns typ | $R_L = 300\ \Omega$, $C_L = 35\text{ pF}$ |
| | 279 | 334 | 376 | ns max | $V_S = 2.5\text{ V}$; see Figure 31 |
| t_{OFF} | 115 | | | ns typ | $R_L = 300\ \Omega$, $C_L = 35\text{ pF}$ |
| | 150 | 169 | 180 | ns max | $V_S = 2.5\text{ V}$; see Figure 31 |
| Break-Before-Make Time Delay, t_D (ADG1613 Only) | 35 | | | ns typ | $R_L = 300\ \Omega$, $C_L = 35\text{ pF}$ |
| | | | 25 | ns min | $V_{S1} = V_{S2} = 2.5\text{ V}$; see Figure 32 |
| Charge Injection | 80 | | | pC typ | $V_S = 0\text{ V}$, $R_S = 0\ \Omega$, $C_L = 1\text{ nF}$; see Figure 33 |
| Off Isolation | 70 | | | dB typ | $R_L = 50\ \Omega$, $C_L = 5\text{ pF}$, $f = 100\text{ kHz}$; see Figure 27 |
| Channel-to-Channel Crosstalk | 110 | | | dB typ | $R_L = 50\ \Omega$, $C_L = 5\text{ pF}$, $f = 100\text{ kHz}$; see Figure 28 |
| Total Harmonic Distortion + Noise | 0.093 | | | % typ | $R_L = 110\ \Omega$, $f = 20\text{ Hz to } 20\text{ kHz}$, $V_S = 3.5\text{ V p-p}$; see Figure 30 |
| -3 dB Bandwidth | 42 | | | MHz typ | $R_L = 50\ \Omega$, $C_L = 5\text{ pF}$; see Figure 29 |
| C_S (Off) | 72 | | | pF typ | $V_S = 2.5\text{ V}$, $f = 1\text{ MHz}$ |
| C_D (Off) | 72 | | | pF typ | $V_S = 2.5\text{ V}$, $f = 1\text{ MHz}$ |
| C_D , C_S (On) | 160 | | | pF typ | $V_S = 2.5\text{ V}$, $f = 1\text{ MHz}$ |
| POWER REQUIREMENTS | | | | | |
| I_{DD} | 0.001 | | | μA typ | $V_{DD} = 5.5\text{ V}$ Digital inputs = 0 V or V_{DD} |
| | | | 1 | μA max | |
| V_{DD} | | | 3.3/16 | V min/max | |

¹ Guaranteed by design, not subject to production test.

3.3 V SINGLE SUPPLY

V_{DD} = 3.3 V, V_{SS} = 0 V, GND = 0 V, unless otherwise noted.

Table 4.

| Parameter | 25°C | -40°C to +85°C | -40°C to +125°C | Unit | Test Conditions/Comments |
|---|-------|----------------|------------------------|-----------|--|
| ANALOG SWITCH | | | | | |
| Analog Signal Range | | | 0 V to V _{DD} | V | |
| On Resistance (R _{ON}) | 3.2 | 3.4 | 3.6 | Ω typ | V _S = 0 V to V _{DD} , I _S = -10 mA, V _{DD} = 3.3 V, V _{SS} = 0 V; see Figure 24 |
| On Resistance Match Between Channels (ΔR _{ON}) | 0.06 | 0.07 | 0.08 | Ω typ | V _S = 0 V to V _{DD} , I _S = -10 mA |
| On Resistance Flatness (R _{FLAT(ON)}) | 1.2 | 1.3 | 1.4 | Ω typ | V _S = 0 V to V _{DD} , I _S = -10 mA |
| LEAKAGE CURRENTS | | | | | |
| Source Off Leakage, I _S (Off) | ±0.02 | | | nA typ | V _{DD} = 3.6 V, V _{SS} = 0 V |
| | ±0.3 | ±1 | ±6 | nA max | V _S = 0.6 V/3 V, V _D = 3 V/0.6 V; see Figure 25 |
| Drain Off Leakage, I _D (Off) | ±0.02 | | | nA typ | V _S = 0.6 V/3 V, V _D = 3 V/0.6 V; see Figure 25 |
| | ±0.3 | ±1 | ±6 | nA max | |
| Channel On Leakage, I _D , I _S (On) | ±0.1 | | | nA typ | V _S = V _D = 0.6 V or 3 V; see Figure 26 |
| | ±0.4 | ±1.5 | ±10 | nA max | |
| DIGITAL INPUTS | | | | | |
| Input High Voltage, V _{INH} | | | 2.0 | V min | |
| Input Low Voltage, V _{INL} | | | 0.8 | V max | |
| Input Current, I _{INL} or I _{INH} | 0.001 | | | μA typ | V _{IN} = V _{GND} or V _{DD} |
| | | | ±0.1 | μA max | |
| Digital Input Capacitance, C _{IN} | 3 | | | pF typ | |
| DYNAMIC CHARACTERISTICS¹ | | | | | |
| t _{ON} | 350 | | | ns typ | R _L = 300 Ω, C _L = 35 pF |
| | 493 | 556 | 603 | ns max | V _S = 1.5 V; see Figure 31 |
| t _{OFF} | 190 | | | ns typ | R _L = 300 Ω, C _L = 35 pF |
| | 263 | 286 | 300 | ns max | V _S = 1.5 V; see Figure 31 |
| Break-Before-Make Time Delay, t _D (ADG1613 Only) | 25 | | | ns typ | R _L = 300 Ω, C _L = 35 pF |
| | | | 18 | ns min | V _{S1} = V _{S2} = 1.5 V; see Figure 32 |
| Charge Injection | 50 | | | pC typ | V _S = 1.5 V, R _S = 0 Ω, C _L = 1 nF; see Figure 33 |
| Off Isolation | 70 | | | dB typ | R _L = 50 Ω, C _L = 5 pF, f = 100 kHz; see Figure 27 |
| Channel-to-Channel Crosstalk | 110 | | | dB typ | R _L = 50 Ω, C _L = 5 pF, f = 100 kHz; see Figure 28 |
| Total Harmonic Distortion + Noise | 0.18 | | | % typ | R _L = 110 Ω, f = 20 Hz to 20 kHz, V _S = 2 V p-p; see Figure 30 |
| -3 dB Bandwidth | 52 | | | MHz typ | R _L = 50 Ω, C _L = 5 pF; see Figure 29 |
| C _S (Off) | 76 | | | pF typ | V _S = 1.5 V, f = 1 MHz |
| C _D (Off) | 76 | | | pF typ | V _S = 1.5 V, f = 1 MHz |
| C _D , C _S (On) | 160 | | | pF typ | V _S = 1.5 V, f = 1 MHz |
| POWER REQUIREMENTS | | | | | |
| I _{DD} | 0.001 | | | μA typ | V _{DD} = 3.6 V |
| | | 1.0 | 1.0 | μA max | Digital inputs = 0 V or V _{DD} |
| V _{DD} | | | 3.3/16 | V min/max | |

¹ Guaranteed by design, not subject to production test.

CONTINUOUS CURRENT PER CHANNEL, S OR D

Table 5.

| Parameter | 25°C | 85°C | 125°C | Unit |
|---|------|------|-------|------------|
| CONTINUOUS CURRENT, S OR D | | | | |
| $V_{DD} = +5\text{ V}, V_{SS} = -5\text{ V}$ | | | | |
| TSSOP ($\theta_{JA} = 150.4^\circ\text{C/W}$) | 175 | 119 | 70 | mA maximum |
| LFCSP ($\theta_{JA} = 48.7^\circ\text{C/W}$) | 280 | 175 | 95 | mA maximum |
| $V_{DD} = 12\text{ V}, V_{SS} = 0\text{ V}$ | | | | |
| TSSOP ($\theta_{JA} = 150.4^\circ\text{C/W}$) | 206 | 135 | 84 | mA maximum |
| LFCSP ($\theta_{JA} = 48.7^\circ\text{C/W}$) | 336 | 203 | 108 | mA maximum |
| $V_{DD} = 5\text{ V}, V_{SS} = 0\text{ V}$ | | | | |
| TSSOP ($\theta_{JA} = 150.4^\circ\text{C/W}$) | 140 | 91 | 63 | mA maximum |
| LFCSP ($\theta_{JA} = 48.7^\circ\text{C/W}$) | 220 | 140 | 84 | mA maximum |
| $V_{DD} = 3.3\text{ V}, V_{SS} = 0\text{ V}$ | | | | |
| TSSOP ($\theta_{JA} = 150.4^\circ\text{C/W}$) | 140 | 98 | 70 | mA maximum |
| LFCSP ($\theta_{JA} = 48.7^\circ\text{C/W}$) | 228 | 150 | 91 | mA maximum |

ABSOLUTE MAXIMUM RATINGS

$T_A = 25^\circ\text{C}$, unless otherwise noted.

Table 6.

| Parameter | Rating |
|--|--|
| V_{DD} to V_{SS} | 18 V |
| V_{DD} to GND | -0.3 V to +18 V |
| V_{SS} to GND | +0.3 V to -18 V |
| Analog Inputs ¹ | $V_{SS} - 0.3\text{ V}$ to $V_{DD} + 0.3\text{ V}$ or 30 mA, whichever occurs first |
| Digital Inputs ¹ | GND - 0.3 V to $V_{DD} + 0.3\text{ V}$ or 30 mA, whichever occurs first |
| Peak Current, S or D | 630 mA (pulsed at 1 ms, 10% duty-cycle maximum) |
| Continuous Current, S or D ² | Data + 15% |
| Operating Temperature Range Industrial (Y Version) | -40°C to +125°C |
| Storage Temperature Range | -65°C to +150°C |
| Junction Temperature | 150°C |
| 16-Lead TSSOP, θ_{JA} Thermal Impedance (2-Layer Board) | 150.4°C/W |
| 16-Lead LFCSOP, θ_{JA} Thermal Impedance (4-Layer Board) | 48.7°C/W |
| Reflow Soldering Peak Temperature, Pb free | 260°C |

¹ Overvoltages at IN, S, or D are clamped by internal diodes. Current should be limited to the maximum ratings given.

² See Table 5.

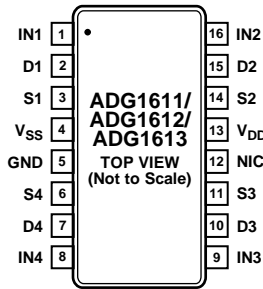
Stresses at or above those listed under Absolute Maximum Ratings may cause permanent damage to the product. This is a stress rating only; functional operation of the product at these or any other conditions above those indicated in the operational section of this specification is not implied. Operation beyond the maximum operating conditions for extended periods may affect product reliability.

ESD CAUTION



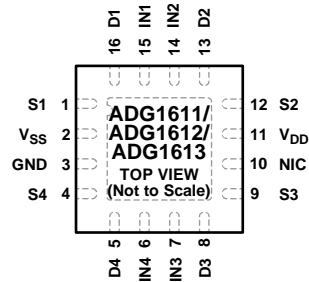
ESD (electrostatic discharge) sensitive device. Charged devices and circuit boards can discharge without detection. Although this product features patented or proprietary protection circuitry, damage may occur on devices subjected to high energy ESD. Therefore, proper ESD precautions should be taken to avoid performance degradation or loss of functionality.

PIN CONFIGURATIONS AND FUNCTION DESCRIPTIONS



NOTES
1. NIC = NOT INTERNALLY CONNECTED.

Figure 4. 16-Lead TSSOP Pin Configuration



NOTES
1. NIC = NOT INTERNALLY CONNECTED.
2. EXPOSED PAD TIED TO SUBSTRATE, VSS.

Figure 5. 16-Lead LFCSP Pin Configuration

Table 7. Pin Function Descriptions

| Pin No. | | Mnemonic | Description |
|----------------|---------------|-----------------|--|
| 16-Lead TSSOP | 16-Lead LFCSP | | |
| 1 | 15 | IN1 | Logic Control Input. |
| 2 | 16 | D1 | Drain Terminal. This pin can be an input or output. |
| 3 | 1 | S1 | Source Terminal. This pin can be an input or output. |
| 4 | 2 | V _{SS} | Most Negative Power Supply Potential. |
| 5 | 3 | GND | Ground (0 V) Reference. |
| 6 | 4 | S4 | Source Terminal. This pin can be an input or output. |
| 7 | 5 | D4 | Drain Terminal. This pin can be an input or output. |
| 8 | 6 | IN4 | Logic Control Input. |
| 9 | 7 | IN3 | Logic Control Input. |
| 10 | 8 | D3 | Drain Terminal. This pin can be an input or output. |
| 11 | 9 | S3 | Source Terminal. This pin can be an input or output. |
| 12 | 10 | NIC | Not Internally Connected. |
| 13 | 11 | V _{DD} | Most Positive Power Supply Potential. |
| 14 | 12 | S2 | Source Terminal. This pin can be an input or output. |
| 15 | 13 | D2 | Drain Terminal. This pin can be an input or output. |
| 16 | 14 | IN2 | Logic Control Input. |
| Not applicable | 17 (EPAD) | EP (EPAD) | Exposed Pad. Tied to substrate, V _{SS} . |

Table 8. ADG1611/ADG1612 Truth Table

| ADG1611 INx | ADG1612 INx | Switch Condition |
|-------------|-------------|------------------|
| 0 | 1 | On |
| 1 | 0 | Off |

Table 9. ADG1613 Truth Table

| Logic (INx) | Switch 1, Switch 4 | Switch 2, Switch 3 |
|-------------|--------------------|--------------------|
| 0 | Off | On |
| 1 | On | Off |

TYPICAL PERFORMANCE CHARACTERISTICS

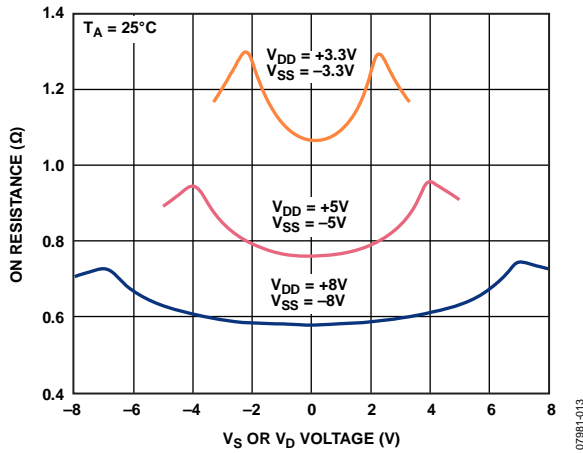


Figure 6. On Resistance as a Function of V_D (V_S) for Dual Supply

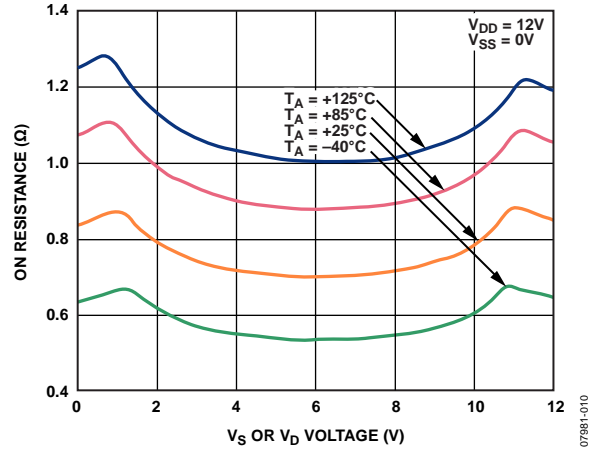


Figure 9. On Resistance as a Function of V_D (V_S) for Different Temperatures, 12 V Single Supply

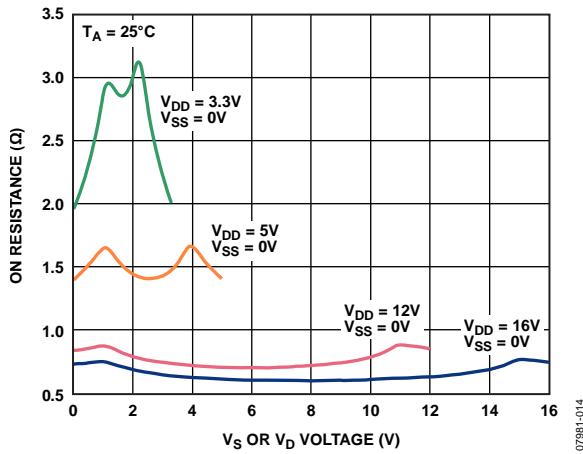


Figure 7. On Resistance as a Function of V_D (V_S) for Single Supply

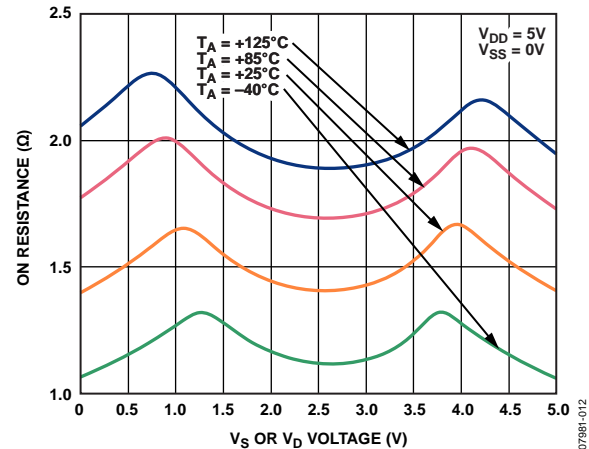


Figure 10. On Resistance as a Function of V_D (V_S) for Different Temperatures, 5 V Single Supply

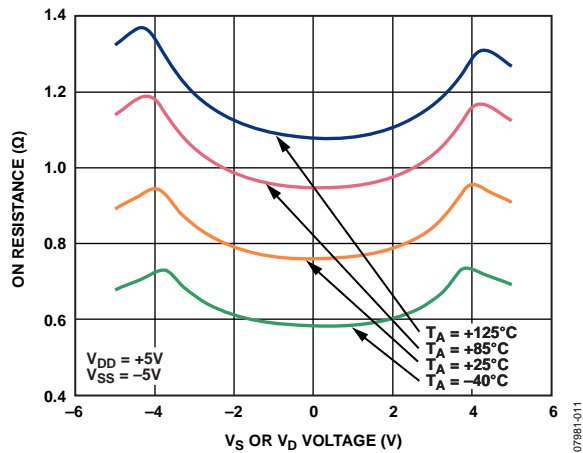


Figure 8. On Resistance as a Function of V_D (V_S) for Different Temperatures, ± 5 V Dual Supply

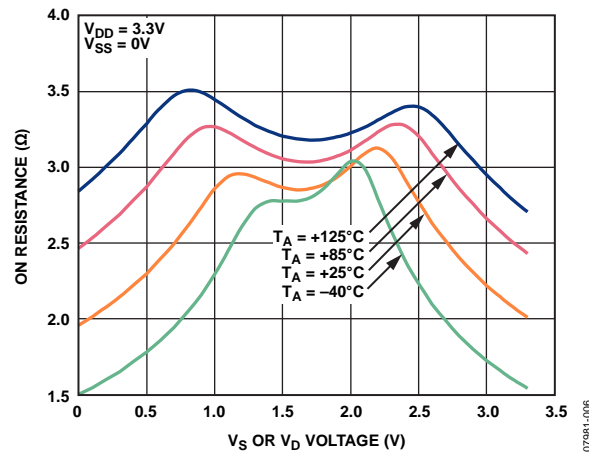


Figure 11. On Resistance as a Function of V_D (V_S) for Different Temperatures, 3.3 V Single Supply

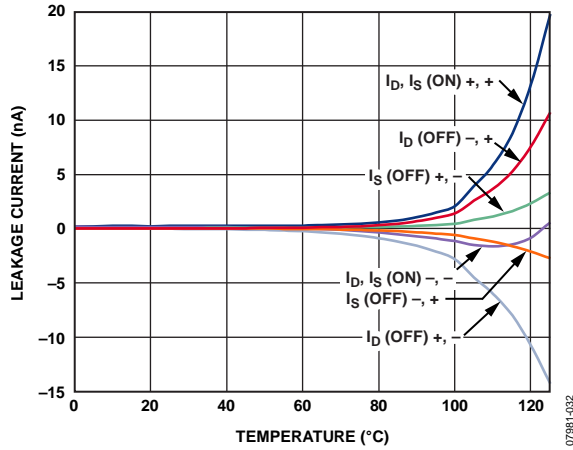


Figure 12. Leakage Currents as a Function of Temperature, ±5 V Dual Supply

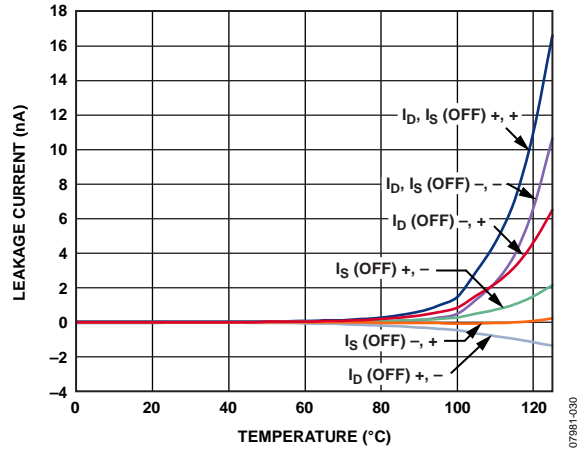


Figure 15. Leakage Currents as a Function of Temperature, 3.3 V Single Supply

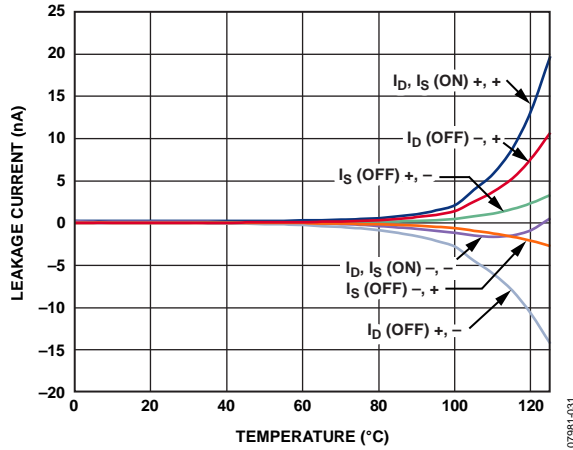


Figure 13. Leakage Currents as a Function of Temperature, 12 V Single Supply

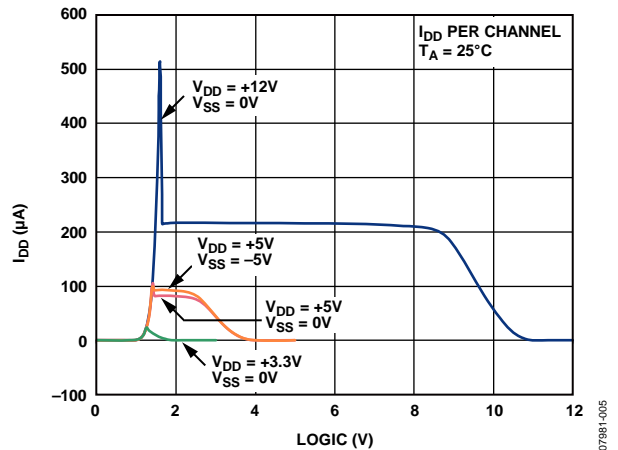


Figure 16. I_{DD} vs. Logic Level

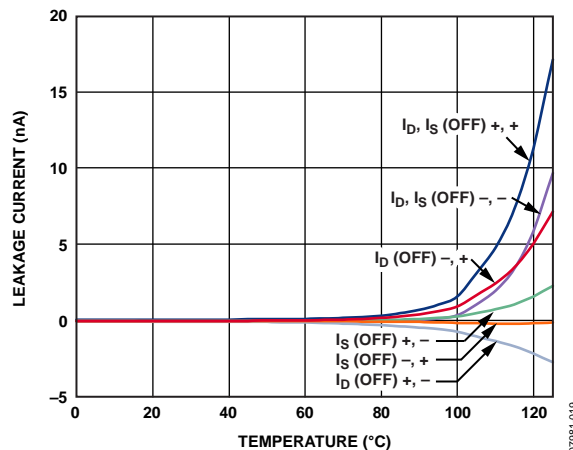


Figure 14. Leakage Currents as a Function of Temperature, 5 V Single Supply

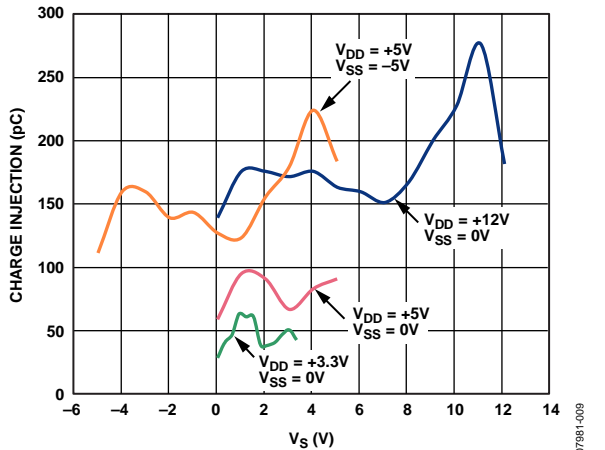


Figure 17. Charge Injection vs. Source Voltage (V_s)

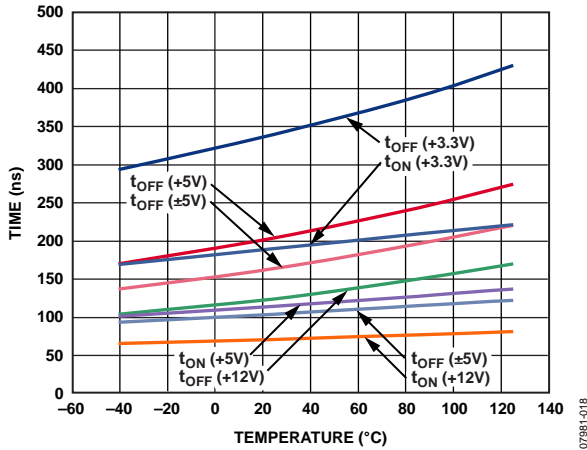


Figure 18. t_{ON}/t_{OFF} Times vs. Temperature

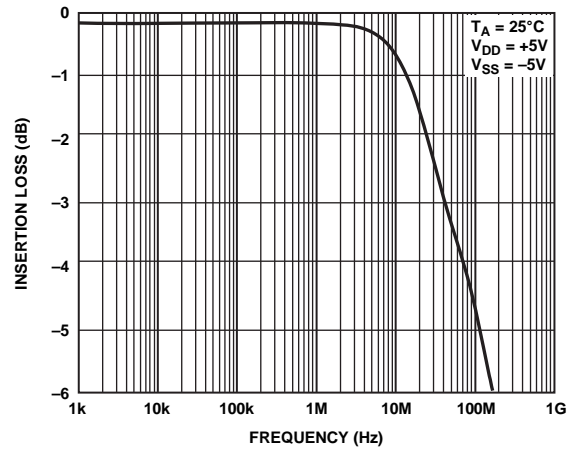


Figure 21. On Response vs. Frequency

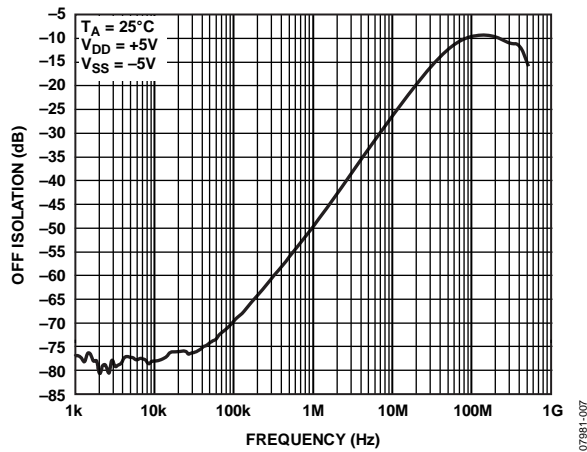


Figure 19. Off Isolation vs. Frequency

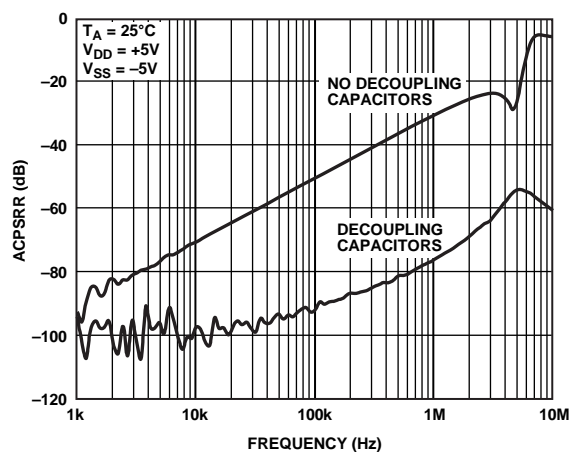


Figure 22. ACPSRR vs. Frequency

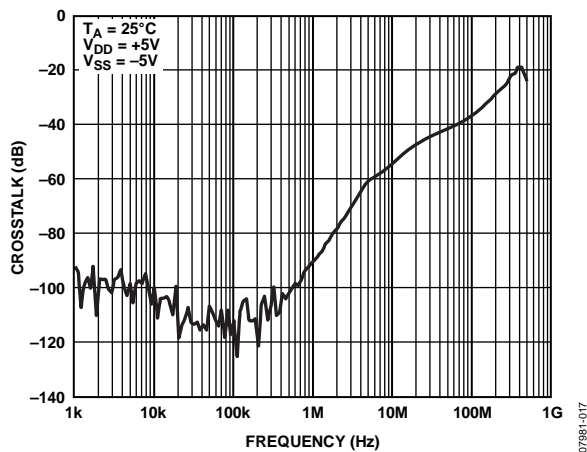


Figure 20. Crosstalk vs. Frequency

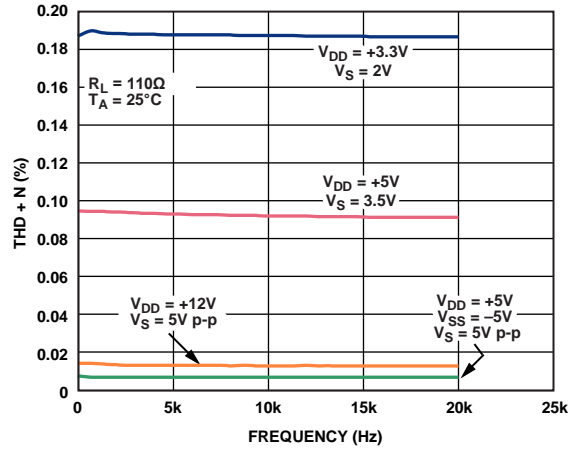


Figure 23. THD + N vs. Frequency

TEST CIRCUITS

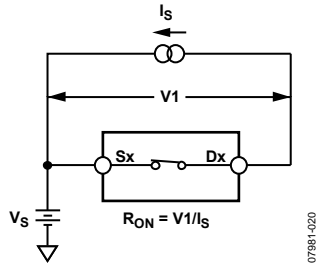


Figure 24. On Resistance

07981-020

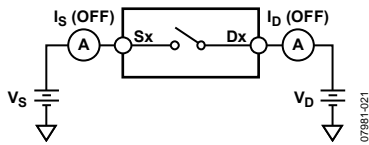


Figure 25. Off Leakage

07981-021

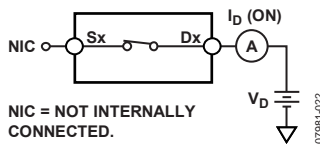


Figure 26. On Leakage

07981-022

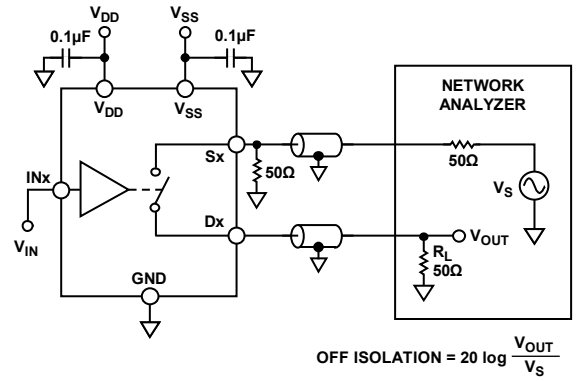


Figure 27. Off Isolation

07981-026

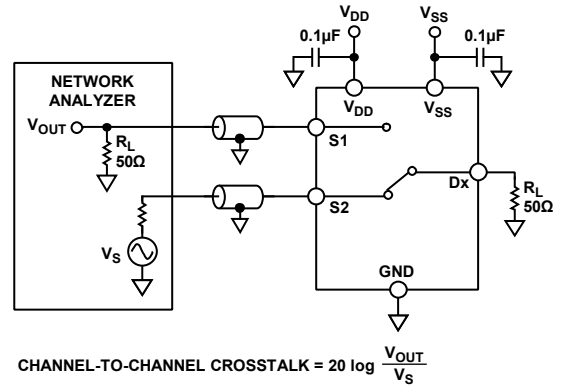


Figure 28. Channel-to-Channel Crosstalk

07981-027

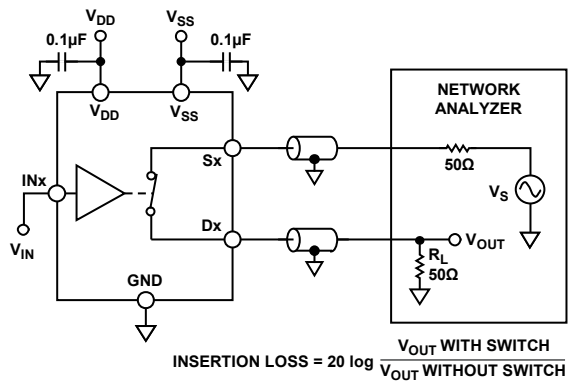


Figure 29. Bandwidth

07981-028

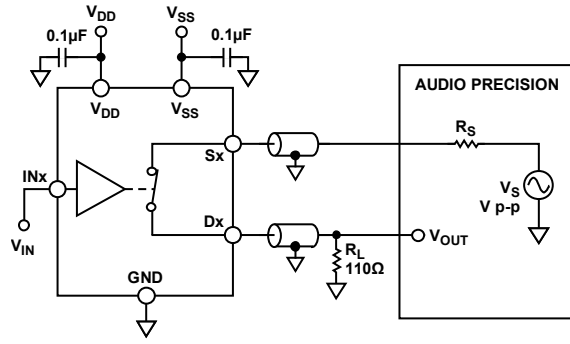


Figure 30. THD + Noise

07981-023

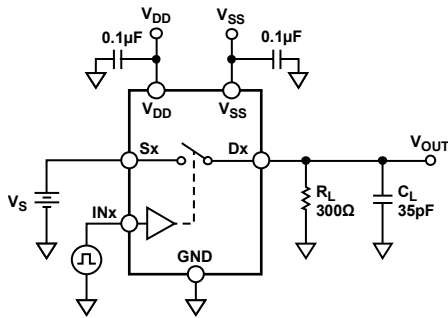
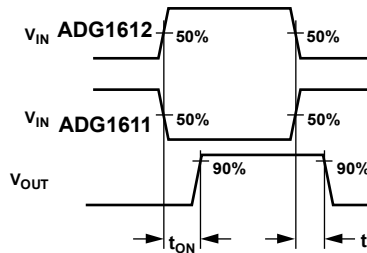


Figure 31. Switching Times



07981-023

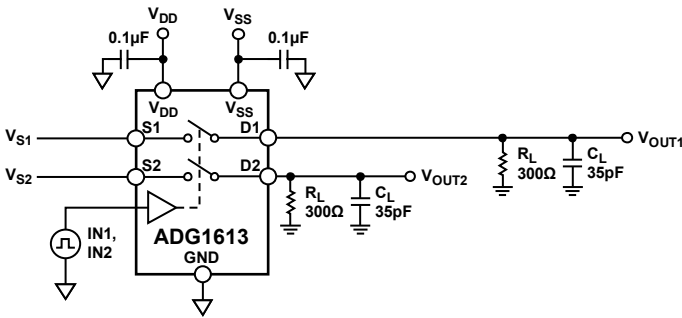
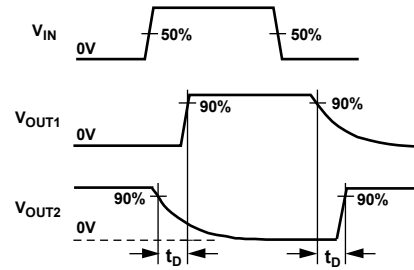


Figure 32. Break-Before-Make Time Delay



07981-024

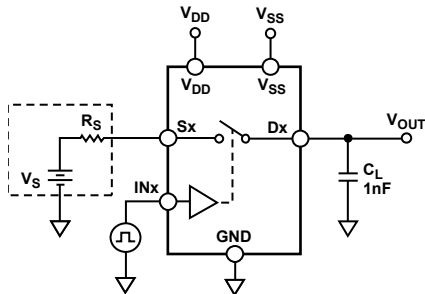
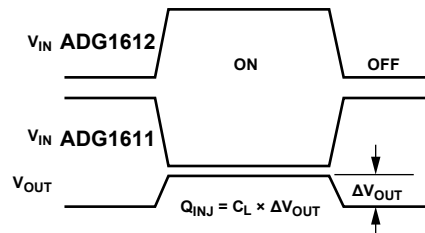


Figure 33. Charge Injection



07981-025

TERMINOLOGY

I_{DD}

The positive supply current.

I_{SS}

The negative supply current.

V_D (V_S)

The analog voltage on Terminal D and Terminal S.

R_{ON}

The ohmic resistance between Terminal D and Terminal S.

R_{FLAT(ON)}

Flatness that is defined as the difference between the maximum and minimum value of on resistance measured over the specified analog signal range.

I_S (Off)

The source leakage current with the switch off.

I_D (Off)

The drain leakage current with the switch off.

I_D, I_S (On)

The channel leakage current with the switch on.

V_{INL}

The maximum input voltage for Logic 0.

V_{INH}

The minimum input voltage for Logic 1.

I_{INL} (I_{INH})

The input current of the digital input.

C_S (Off)

The off switch source capacitance, which is measured with reference to ground.

C_D (Off)

The off switch drain capacitance, which is measured with reference to ground.

C_D, C_S (On)

The on switch capacitance, which is measured with reference to ground.

C_{IN}

The digital input capacitance.

t_{ON}

The delay between applying the digital control input and the output switching on. See Figure 31.

t_{OFF}

The delay between applying the digital control input and the output switching off. See Figure 31.

Charge Injection

A measure of the glitch impulse transferred from the digital input to the analog output during switching. See Figure 33.

Off Isolation

A measure of unwanted signal coupling through an off switch. See Figure 27.

Crosstalk

A measure of unwanted signal that is coupled through from one channel to another as a result of parasitic capacitance. See Figure 28.

Bandwidth

The frequency at which the output is attenuated by 3 dB. See Figure 29.

On Response

The frequency response of the on switch.

Insertion Loss

The loss due to the on resistance of the switch.

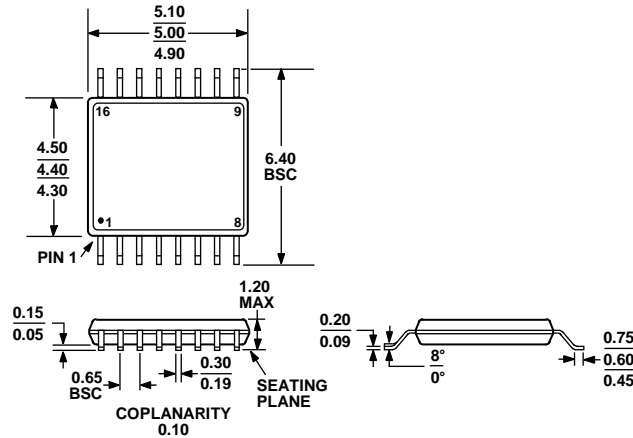
Total Harmonic Distortion + Noise (THD + N)

The ratio of the harmonic amplitude plus noise of the signal to the fundamental. See Figure 30.

AC Power Supply Rejection Ratio (ACPSRR)

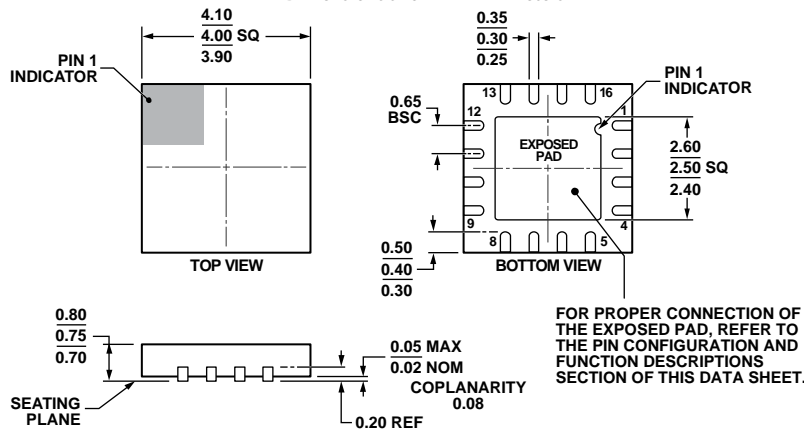
The ratio of the amplitude of signal on the output to the amplitude of the modulation. This is a measure of the ability of the part to avoid coupling noise and spurious signals that appear on the supply voltage pin to the output of the switch. The dc voltage on the device is modulated by a sine wave of 0.62 V p-p.

OUTLINE DIMENSIONS



COMPLIANT TO JEDEC STANDARDS MO-153-AB
 Figure 34. 16-Lead Thin Shrink Small Outline Package [TSSOP]
 (RU-16)

Dimensions shown in millimeters



COMPLIANT TO JEDEC STANDARDS MO-220-WGGC.
 Figure 35. 16-Lead Lead Frame Chip Scale Package [LFCSP_WQ]
 4 mm x 4 mm Body, Very Very Thin Quad
 (CP-16-26)

Dimensions shown in millimeters

ORDERING GUIDE

| Model ¹ | Temperature Range | Package Description | Package Option |
|--------------------|-------------------|---|----------------|
| ADG1611BRUZ | -40°C to +125°C | 16-Lead Thin Shrink Small Outline Package [TSSOP] | RU-16 |
| ADG1611BRUZ-REEL | -40°C to +125°C | 16-Lead Thin Shrink Small Outline Package [TSSOP] | RU-16 |
| ADG1611BRUZ-REEL7 | -40°C to +125°C | 16-Lead Thin Shrink Small Outline Package [TSSOP] | RU-16 |
| ADG1611BCPZ-REEL | -40°C to +125°C | 16-Lead Lead Frame Chip Scale Package [LFCSP_WQ] | CP-16-26 |
| ADG1611BCPZ-REEL7 | -40°C to +125°C | 16-Lead Lead Frame Chip Scale Package [LFCSP_WQ] | CP-16-26 |
| ADG1612BRUZ | -40°C to +125°C | 16-Lead Thin Shrink Small Outline Package [TSSOP] | RU-16 |
| ADG1612BRUZ-REEL | -40°C to +125°C | 16-Lead Thin Shrink Small Outline Package [TSSOP] | RU-16 |
| ADG1612BRUZ-REEL7 | -40°C to +125°C | 16-Lead Thin Shrink Small Outline Package [TSSOP] | RU-16 |
| ADG1612BCPZ-REEL | -40°C to +125°C | 16-Lead Lead Frame Chip Scale Package [LFCSP_WQ] | CP-16-26 |
| ADG1612BCPZ-REEL7 | -40°C to +125°C | 16-Lead Lead Frame Chip Scale Package [LFCSP_WQ] | CP-16-26 |
| ADG1613BRUZ | -40°C to +125°C | 16-Lead Thin Shrink Small Outline Package [TSSOP] | RU-16 |
| ADG1613BRUZ-REEL | -40°C to +125°C | 16-Lead Thin Shrink Small Outline Package [TSSOP] | RU-16 |
| ADG1613BRUZ-REEL7 | -40°C to +125°C | 16-Lead Thin Shrink Small Outline Package [TSSOP] | RU-16 |
| ADG1613BCPZ-REEL | -40°C to +125°C | 16-Lead Lead Frame Chip Scale Package [LFCSP_WQ] | CP-16-26 |
| ADG1613BCPZ-REEL7 | -40°C to +125°C | 16-Lead Lead Frame Chip Scale Package [LFCSP_WQ] | CP-16-26 |

¹ Z = RoHS Compliant Part.

Компания «Life Electronics» занимается поставками электронных компонентов импортного и отечественного производства от производителей и со складов крупных дистрибьюторов Европы, Америки и Азии.

С конца 2013 года компания активно расширяет линейку поставок компонентов по направлению коаксиальный кабель, кварцевые генераторы и конденсаторы (керамические, пленочные, электролитические), за счёт заключения дистрибьюторских договоров

Мы предлагаем:

- Конкурентоспособные цены и скидки постоянным клиентам.
- Специальные условия для постоянных клиентов.
- Подбор аналогов.
- Поставку компонентов в любых объемах, удовлетворяющих вашим потребностям.
- Приемлемые сроки поставки, возможна ускоренная поставка.
- Доставку товара в любую точку России и стран СНГ.
- Комплексную поставку.
- Работу по проектам и поставку образцов.
- Формирование склада под заказчика.
- Сертификаты соответствия на поставляемую продукцию (по желанию клиента).
- Тестирование поставляемой продукции.
- Поставку компонентов, требующих военную и космическую приемку.
- Входной контроль качества.
- Наличие сертификата ISO.

В составе нашей компании организован Конструкторский отдел, призванный помогать разработчикам, и инженерам.

Конструкторский отдел помогает осуществить:

- Регистрацию проекта у производителя компонентов.
- Техническую поддержку проекта.
- Защиту от снятия компонента с производства.
- Оценку стоимости проекта по компонентам.
- Изготовление тестовой платы монтаж и пусконаладочные работы.



Тел: +7 (812) 336 43 04 (многоканальный)
Email: org@lifeelectronics.ru