



| Parameter | Rating | Units |
|--------------------------------|-----------|-------|
| Breakdown Voltage - BV_{CEO} | 350 | V_P |
| Current Transfer Ratio - CTR | 1000-8000 | % |

Features

- $5000V_{rms}$ Input/Output Isolation
- $350V_P$ Breakdown Voltage
- Small 4-Pin Package
- Surface Mount Tape & Reel Version Available

Applications

- Telecom Switching
- Tip/Ring Circuits
- Hook Switch
- Modem Switching (Laptop, Notebook, Pocket Size)
- Loop Detect
- Ringing Detect
- Current Sensing

Description

The CPC1301 is a unidirectional input optocoupler with a high-voltage Darlington output. Light output from the highly efficient infrared LED activates the optically coupled silicon NPN photo-Darlington output transistor. The input LED and the output transistor are separated by a $5000V_{rms}$ isolation barrier.

With a LED current of only 1mA, a current transfer ratio of 1000% to 8000% is guaranteed at the collector of the 350V Darlington output transistor.

The CPC1301's low input current, high current transfer ratio, high output voltage capability, and large isolation barrier rating make it ideal for many applications such as telecom, industrial, and power control.

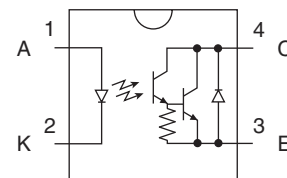
Approvals

- UL 1577 Approved Component: File E76270
- CSA Certified Component: Certificate 1172007
- EN 60950 Certified Component:
TUV Certificate B 13 12 82667 003

Ordering Information

| Part Number | Description |
|-------------|---------------------------------|
| CPC1301G | 4-Pin DIP (100/Tube) |
| CPC1301GR | 4-Pin Surface Mount (100/Tube) |
| CPC1301GRTR | 4-Pin Surface Mount (1000/Reel) |

Pin Configuration



Absolute Maximum Ratings @ 25°C

| Parameter | Ratings | Units |
|--|-------------|-----------|
| Breakdown Voltage, BV_{CEO} | 350 | V_P |
| Reverse Input Voltage | 5 | V |
| Input Control Current | 50 | mA |
| Peak (10ms) | 1 | A |
| Input Power Dissipation ¹ | 150 | mW |
| Phototransistor Power Dissipation ² | 150 | mW |
| Isolation Voltage, Input to Output | 5000 | V_{rms} |
| Operational Temperature | -40 to +85 | °C |
| Storage Temperature | -40 to +125 | °C |

¹ Derate linearly 1.33 mW / °C

² Derate linearly 1.5 mW / °C

Absolute Maximum Ratings are stress ratings. Stresses in excess of these ratings can cause permanent damage to the device. Functional operation of the device at conditions beyond those indicated in the operational sections of this data sheet is not implied.

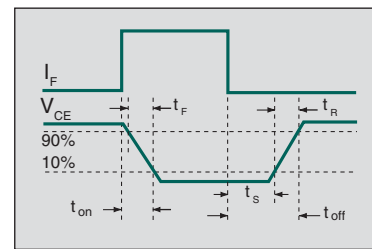
Typical values are characteristic of the device at +25°C, and are the result of engineering evaluations. They are provided for information purposes only, and are not part of the manufacturing testing requirements.

Electrical Characteristics @ 25°C

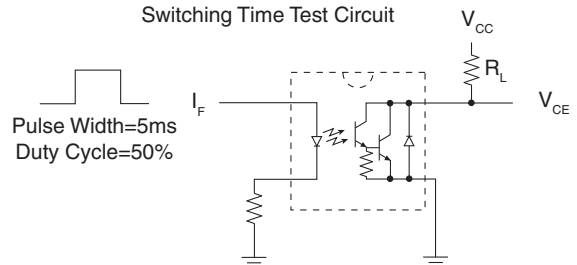
| Parameters | Conditions | Symbol | Min | Typ | Max | Units |
|---------------------------------------|-------------------------|---------------|------|------|------|---------|
| Output Characteristics | | | | | | |
| Phototransistor Breakdown Voltage | $I_{CEO}=100\mu A$ | BV_{CEO} | 350 | - | - | V_P |
| Emitter-Collector Breakdown Voltage | $I_E=0.1mA$ | BV_{ECO} | 0.3 | - | - | V |
| Phototransistor Output (Dark) Current | $V_{CEO}=200V, I_F=0mA$ | I_{CEO} | - | - | 100 | nA |
| Saturation Voltage | $I_C=10mA, I_F=1mA$ | $V_{CE(Sat)}$ | - | - | 1 | V |
| | $I_C=100mA, I_F=10mA$ | | - | - | 1.2 | |
| Current Transfer Ratio | $I_F=1mA, V_{CE}=1V$ | CTR | 1000 | 5500 | 8000 | % |
| Output Capacitance | $V_{CEO}=50V, f=1MHz$ | C_{OUT} | - | 13 | - | pF |
| Input Characteristics | | | | | | |
| Input Control Current | $I_C=10mA, V_{CE}=1V$ | I_F | - | 0.07 | 1 | mA |
| Input Voltage Drop | $I_F=5mA$ | V_F | 0.9 | 1.2 | 1.4 | V |
| Input Reverse Current | $V_R=5V$ | I_R | - | - | 10 | μA |
| Common Characteristics | | | | | | |
| Input to Output Capacitance | - | C_{IO} | - | 3 | - | pF |

Switching Characteristics @ 25°C

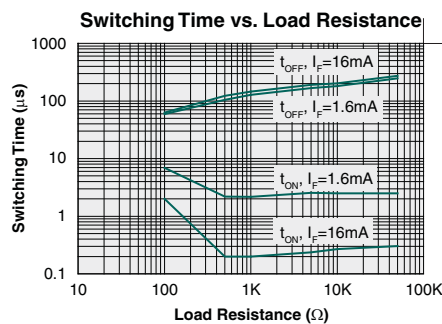
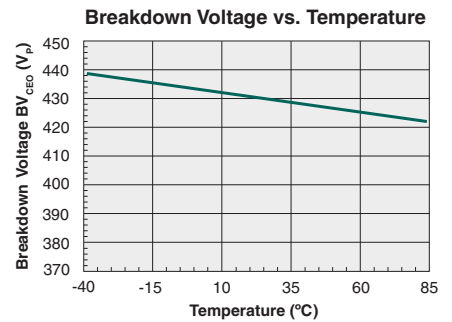
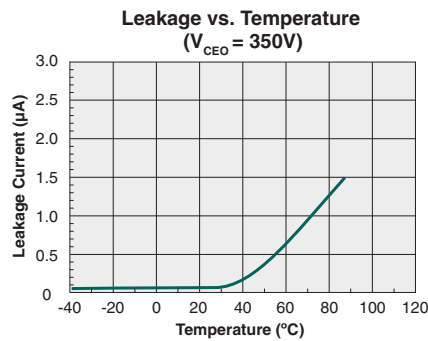
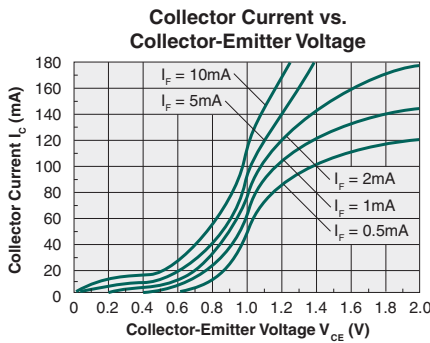
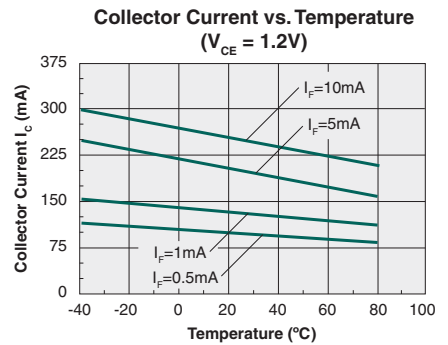
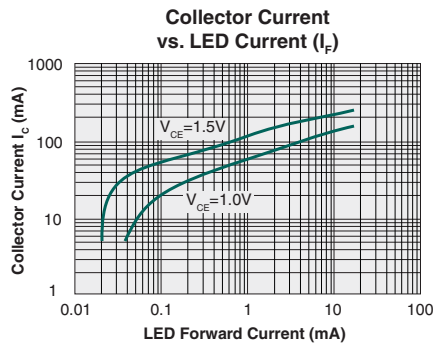
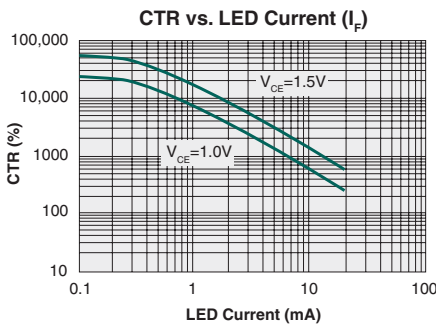
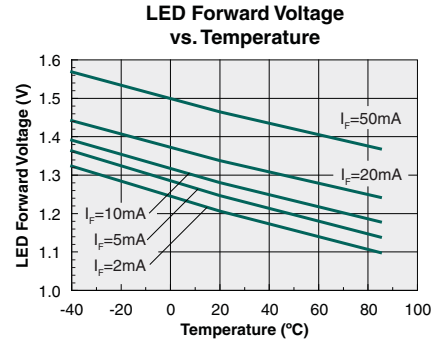
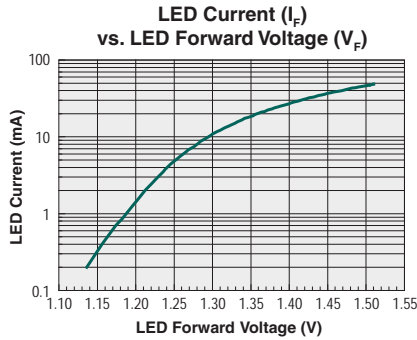
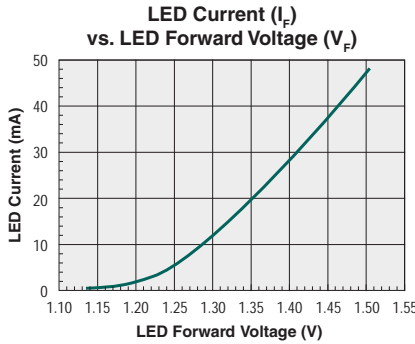
| Characteristic | Symbol | Test Condition | Typ | Units |
|----------------|-----------|-----------------|------|---------|
| Rise Time | t_R | $V_{CC}=10V$ | 40 | μS |
| Fall Time | t_F | | 2.6 | |
| Turn-On Time | t_{on} | $I_F=10mA$ | 2.75 | |
| Storage Time | t_S | $R_L=100\Omega$ | 20 | |
| Turn-Off Time | t_{off} | | 60 | |
| Turn-On Time | t_{on} | $V_{CC}=10V$ | 1 | |
| Storage Time | t_S | $I_F=16mA$ | 40 | |
| Turn-Off Time | t_{off} | $R_L=180\Omega$ | 80 | |



Switching Time Test Circuit



PERFORMANCE DATA @25°C (Unless Otherwise Noted)*



*The Performance data shown in the graphs above is typical of device performance. For guaranteed parameters not indicated in the written specifications, please contact our application department.

Manufacturing Information

Moisture Sensitivity



All plastic encapsulated semiconductor packages are susceptible to moisture ingress. IXYS Integrated Circuits Division classified all of its plastic encapsulated devices for moisture sensitivity according to the latest version of the joint industry standard, **IPC/JEDEC J-STD-020**, in force at the time of product evaluation. We test all of our products to the maximum conditions set forth in the standard, and guarantee proper operation of our devices when handled according to the limitations and information in that standard as well as to any limitations set forth in the information or standards referenced below.

Failure to adhere to the warnings or limitations as established by the listed specifications could result in reduced product performance, reduction of operable life, and/or reduction of overall reliability.

This product carries a **Moisture Sensitivity Level (MSL) rating** as shown below, and should be handled according to the requirements of the latest version of the joint industry standard **IPC/JEDEC J-STD-033**.

| Device | Moisture Sensitivity Level (MSL) Rating |
|-----------|---|
| CPC1301G | MSL 1 |
| CPC1301GR | MSL 3 |

ESD Sensitivity



This product is **ESD Sensitive**, and should be handled according to the industry standard **JESD-625**.

Soldering Profile

Provided in the table below is the Classification Temperature (T_C) of this product and the maximum dwell time the body temperature of this device may be above ($T_C - 5$)°C. The classification temperature sets the Maximum Body Temperature allowed for this device during lead-free reflow processes. Additionally, for the CPC1301GR, the solder reflow profile given in Technical Brief TB-200 "**Pb-Free Solder Reflow Profile for Select Devices**" must be followed. For the through-hole device, CPC1301G, and any other processes, the guidelines of **J-STD-020** must be observed.

| Device | Maximum Body Temperature (T_C) | Time |
|-----------|------------------------------------|------------|
| CPC1301GR | 250°C | 15 seconds |

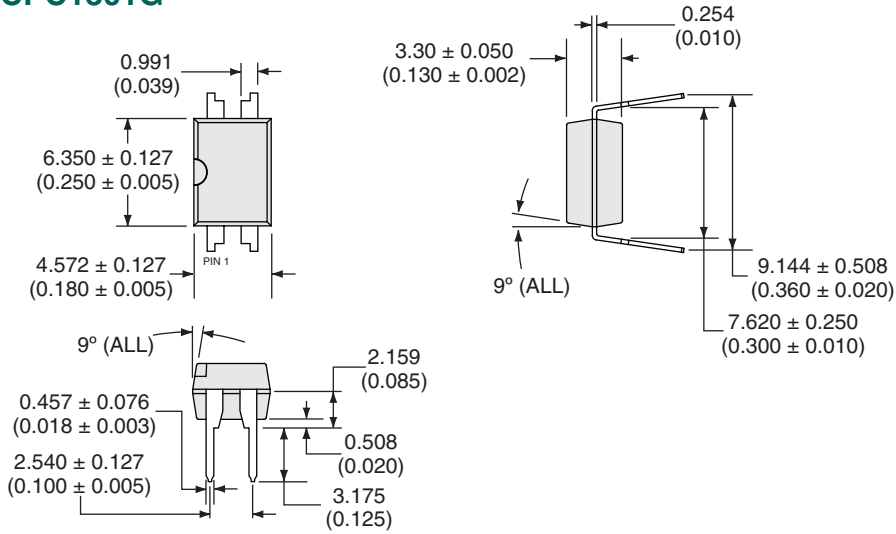
Board Wash

IXYS Integrated Circuits Division recommends the use of no-clean flux formulations. Board washing to reduce or remove flux residue following the solder reflow process is acceptable provided proper precautions are taken to prevent damage to the device. These precautions include, but are not limited to: using a low pressure wash and providing a follow-up bake cycle sufficient to remove any moisture trapped within the device due to the washing process. Due to the variability of the wash parameters used to clean the board, determination of the bake temperature and duration necessary to remove the moisture trapped within the package is the responsibility of the user (assembler). Cleaning or drying methods that employ ultrasonic energy may damage the device, and should not be used. Additionally, the device must not be exposed to flux or solvents that are Chlorine- or Fluorine-based.

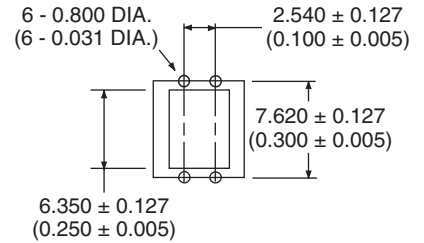


MECHANICAL DIMENSIONS

CPC1301G

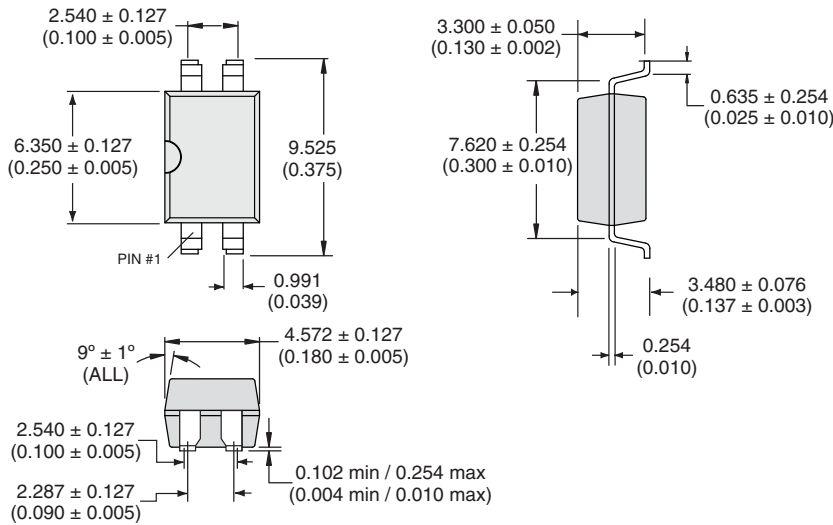


PC Board Pattern (Top View)

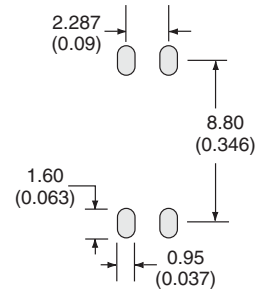


Dimensions
 mm
 (inches)

CPC1301GR

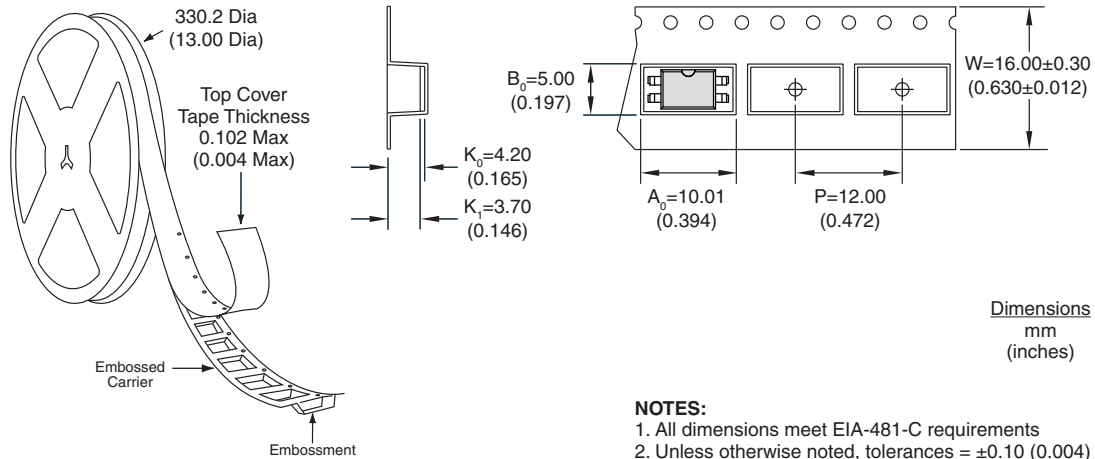


PCB Land Pattern



Dimensions
 mm
 (inches)

CPC1301GRTR Tape & Reel



For additional information please visit our website at: www.ixysic.com

IXYS Integrated Circuits Division makes no representations or warranties with respect to the accuracy or completeness of the contents of this publication and reserves the right to make changes to specifications and product descriptions at any time without notice. Neither circuit patent licenses nor indemnity are expressed or implied. Except as set forth in IXYS Integrated Circuits Division's Standard Terms and Conditions of Sale, IXYS Integrated Circuits Division assumes no liability whatsoever, and disclaims any express or implied warranty, relating to its products including, but not limited to, the implied warranty of merchantability, fitness for a particular purpose, or infringement of any intellectual property right.

The products described in this document are not designed, intended, authorized or warranted for use as components in systems intended for surgical implant into the body, or in other applications intended to support or sustain life, or where malfunction of IXYS Integrated Circuits Division's product may result in direct physical harm, injury, or death to a person or severe property or environmental damage. IXYS Integrated Circuits Division reserves the right to discontinue or make changes to its products at any time without notice.

Компания «Life Electronics» занимается поставками электронных компонентов импортного и отечественного производства от производителей и со складов крупных дистрибьюторов Европы, Америки и Азии.

С конца 2013 года компания активно расширяет линейку поставок компонентов по направлению коаксиальный кабель, кварцевые генераторы и конденсаторы (керамические, пленочные, электролитические), за счёт заключения дистрибьюторских договоров

Мы предлагаем:

- Конкурентоспособные цены и скидки постоянным клиентам.
- Специальные условия для постоянных клиентов.
- Подбор аналогов.
- Поставку компонентов в любых объемах, удовлетворяющих вашим потребностям.
- Приемлемые сроки поставки, возможна ускоренная поставка.
- Доставку товара в любую точку России и стран СНГ.
- Комплексную поставку.
- Работу по проектам и поставку образцов.
- Формирование склада под заказчика.
- Сертификаты соответствия на поставляемую продукцию (по желанию клиента).
- Тестирование поставляемой продукции.
- Поставку компонентов, требующих военную и космическую приемку.
- Входной контроль качества.
- Наличие сертификата ISO.

В составе нашей компании организован Конструкторский отдел, призванный помогать разработчикам, и инженерам.

Конструкторский отдел помогает осуществить:

- Регистрацию проекта у производителя компонентов.
- Техническую поддержку проекта.
- Защиту от снятия компонента с производства.
- Оценку стоимости проекта по компонентам.
- Изготовление тестовой платы монтаж и пусконаладочные работы.



Тел: +7 (812) 336 43 04 (многоканальный)

Email: org@lifeelectronics.ru