

IEC Appliance Inlet C6 with Line Switch 1- or 2-pole



Snap-in version



**Description**

- Panel Mount :  
Snap-in version , from front side
- Appliance Inlet , Pin temperature 70 °C , Protection class I ,
- Line Switch 1- or 2-pole
- Solder terminals or quick connect terminals

**Approvals**

- VDE Certificate Number: 40002273
- CSA File Number: 1020538

**Characteristics**

- Line switch non-illuminated or illuminated

**References**

We recommend for new applications the type [CMF3](#), [CMF6](#)  
Last order date: 31.12.2016

**Weblinks**

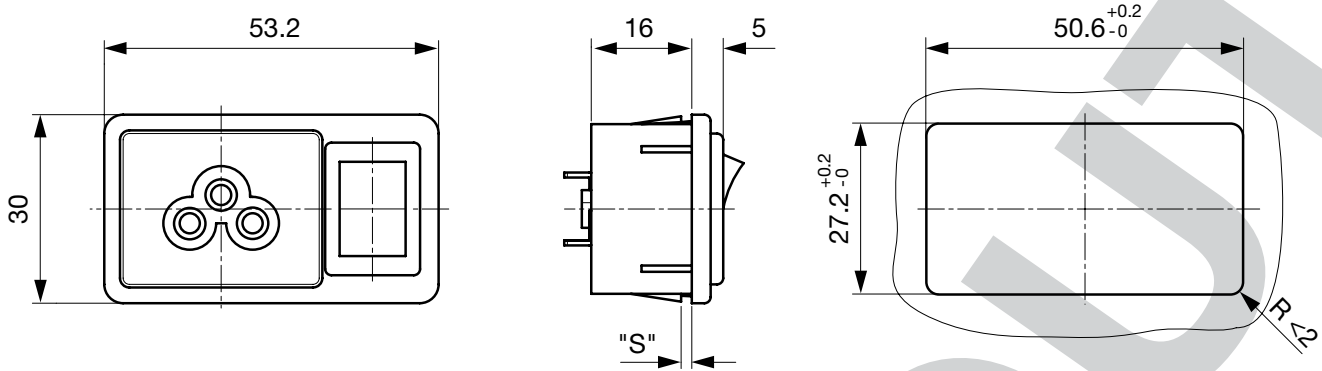
[pdf datasheet](#), [html-datasheet](#), [General Product Information](#), [RoHS](#), [CHINA-RoHS](#), [REACH](#), [Distributor-Stock-Check](#), [Accessories](#), [Detailed request for product](#)

**Technical Data**

|                                 |   |                         |  |
|---------------------------------|---|-------------------------|--|
| Ratings IEC                     | 2.5 A / 250 VAC; 50Hz   | appliance inlet/-outlet | C6 acc. to IEC 60320-1<br>UL 498, CSA C22.2 no. 42 (for cold conditions) pin-temperature 70 °C, 2.5A, Protection Class I |
| Ratings UL/CSA                  | 2.5 A / 250 VAC; 60Hz   | Line Switch             | Rocker switch 1 or 2 pole, non-illuminated or illuminated, acc. to IEC 61058-1<br><a href="#">Technical Details</a>      |
| Dielectric Strength             | > 2.5 kVAC between L-N<br>> 3 kVAC between L/N-PE<br>(1 min/50Hz) |                         |  |
| Allowable Operation Temperature | -25 °C to 70 °C   |                         |  |
| IP-Protection                   | from front side IP 20 acc. to IEC 60529                           |                         |  |
| Insulation cover                | Suitable for appliances with protection class I acc. to IEC 61140 |                         |  |
| Terminal                        | Solder terminals or quick connect terminals                       |                         |  |
| Panel Thickness s               | Snap-in: 1/1.5/2/2.5/3 mm   |                         |  |
| Material: Housing               | PA6, black, UL 94V-0  |                         |  |

Detailed information on product approvals, code requirements, usage instructions and detailed test conditions can be looked up in [General Product Information](#)

Dimensions



Length of the terminal please find at the order code configuration table

Dimension "S" please ref. to table order code

Config. Code

2565 - H - ABCN - D - EGP

The characters are placeholders for the correspondingly keys of selections from the key tables.

2565 - H - ABCN - D - EGP = Type

| Type              | Configuration key | Terminal Ground                    | Configuration key |
|-------------------|-------------------|------------------------------------|-------------------|
| combination frame | K                 | short solder terminal (L = 4.8 mm) | 2                 |
|                   |                   | long solder terminal (L = 8.5 mm)  | 3                 |
|                   |                   | Blade terminal (2.8 x 0.8 mm)      | 7                 |
|                   |                   | Blade terminal (4.8 x 0.8 mm)      | 8                 |

Symbols similar as in table A

2565 - H - A BCN - D - EGP = Terminals

| Terminal L                         | Configuration key |
|------------------------------------|-------------------|
| short solder terminal (L = 4.8 mm) | 2                 |
| long solder terminal (L = 8.5 mm)  | 3                 |
| Blade terminal (2.8 x 0.8 mm)      | 7                 |
| Blade terminal (4.8 x 0.8 mm)      | 8                 |

2565 - H - ABC N - D - EGP = Terminal Fuseholder

| Terminal Fuseholder | Configuration key |
|---------------------|-------------------|
| no fuseholder       | 0                 |

2565 - H - ABCN - D - EGP = Color

| Color | Configuration key |
|-------|-------------------|
| Black | A                 |

2565 - H - A B CN - D - EGP = Terminals

| Terminal N                         | Configuration key |
|------------------------------------|-------------------|
| short solder terminal (L = 4.8 mm) | 2                 |
| long solder terminal (L = 8.5 mm)  | 3                 |
| Blade terminal (2.8 x 0.8 mm)      | 7                 |
| Blade terminal (4.8 x 0.8 mm)      | 8                 |

2565 - H - ABCN - D - E GP = Style

| Style                       | Configuration key |
|-----------------------------|-------------------|
| snap-in (s=panel thickness) | 4                 |

2565 - H - ABCN - D - E GP = Mass S

| Mass "s" | Configuration key |
|----------|-------------------|
|          | 10                |

The dimension "S" is displayed in (1/10 mm). This information is also valid for the order code

| Mass "s" | Configuration key | Switches  | Configuration key |
|----------|-------------------|---|-------------------|
| 15       |                   | unipolar switch, 4,8mm blade terminal, black rocker             | 2                 |
| 20       |                   | unipolar switch, solder terminal, black rocker                  | 3                 |
| 25       |                   | bipolar switch, 4,8mm blade terminal, black rocker              | 4                 |
| 30       |                   | bipolar switch, solder terminals, black rocker                  | 5                 |
|          |                   | bipolar switch, 4,8mm blade terminal, rocker red illuminated    | 6                 |
|          |                   | bipolar switch, solder terminal, rocker red illuminated         | 7                 |
|          |                   | bipolar switch, 4,8mm blade terminals, rocker green illuminated | 8                 |
|          |                   | bipolar switch, solder terminals, rocker green illuminated      | 9                 |

The dimension "S" is displayed in ( $\frac{1}{10}$  mm). This information is also valid for the order code

**2565 - H - A B C N - D - E G P = Switches**

### All Variants

| Config. Code       | Description  | Order Number |
|--------------------|--|--------------|
| 2565-K-2220-A-4155 | 2565, IEC Power Entry Module C6, 70°C, , version: I, L: short solder terminal (L = 4.8 mm), N: short solder terminal (L = 4.8 mm), ground: short solder terminal (L = 4.8 mm), color: Black, design: snap-in (s=panel thickness), dimension S: 15, bipolar switch, solder terminals, black rocker                  | 4304.6044    |
| 2565-K-2220-A-4158 | 2565, IEC Power Entry Module C6, 70°C, , version: I, L: short solder terminal (L = 4.8 mm), N: short solder terminal (L = 4.8 mm), ground: short solder terminal (L = 4.8 mm), color: Black, design: snap-in (s=panel thickness), dimension S: 15, bipolar switch, 4,8mm blade terminals, rocker green illuminated | 4304.6327    |

The listet variants should be available from stock Other versions on request [www.schurter.com/contact](http://www.schurter.com/contact)

Availability for all products can be searched real-time:<http://www.schurter.com/en/Stock-Check/Stock-Check-SCHURTER>

**Packaging unit** 100 Pcs

### Mating Outlets/Connectors

Category / Description



[Power Supply Cord Overview complete](#)

Cord Sets 2.5 A, Europlug, 2.0 m, Connector IEC C5, H05VV-F3G0.75, black

6052.0042

[Power Supply Cord further types to 2565-K](#)

Компания «Life Electronics» занимается поставками электронных компонентов импортного и отечественного производства от производителей и со складов крупных дистрибьюторов Европы, Америки и Азии.

С конца 2013 года компания активно расширяет линейку поставок компонентов по направлению коаксиальный кабель, кварцевые генераторы и конденсаторы (керамические, пленочные, электролитические), за счёт заключения дистрибьюторских договоров

Мы предлагаем:

- Конкурентоспособные цены и скидки постоянным клиентам.
- Специальные условия для постоянных клиентов.
- Подбор аналогов.
- Поставку компонентов в любых объемах, удовлетворяющих вашим потребностям.
- Приемлемые сроки поставки, возможна ускоренная поставка.
- Доставку товара в любую точку России и стран СНГ.
- Комплексную поставку.
- Работу по проектам и поставку образцов.
- Формирование склада под заказчика.
- Сертификаты соответствия на поставляемую продукцию (по желанию клиента).
- Тестирование поставляемой продукции.
- Поставку компонентов, требующих военную и космическую приемку.
- Входной контроль качества.
- Наличие сертификата ISO.

В составе нашей компании организован Конструкторский отдел, призванный помогать разработчикам, и инженерам.

Конструкторский отдел помогает осуществить:

- Регистрацию проекта у производителя компонентов.
- Техническую поддержку проекта.
- Защиту от снятия компонента с производства.
- Оценку стоимости проекта по компонентам.
- Изготовление тестовой платы монтаж и пусконаладочные работы.



Тел: +7 (812) 336 43 04 (многоканальный)

Email: [org@lifeelectronics.ru](mailto:org@lifeelectronics.ru)