

## 16 Ω, Low Charge Injection and Leakage, +12 V / +5 V / +3 V / ± 5 V Quad SPST Switches

### DESCRIPTION

The DG441LE, DG442LE monolithic quad single-pole-single-throw analog switches are designed to provide high speed, low error switching of analog signals. The DG441LE has a normally closed function. The DG442LE has a normally open function.

The DG441LE, DG442LE feature low charge injection of a few picocoulombs over the full analog switch range. Combining low on resistance (16 Ω, typ.), low parasitic capacitance ( $C_{D(ON)}$  15 pF), and fast switching speed ( $t_{ON}$ , 18 ns, typ.), the devices are ideal for data acquisition, sample-and-hold, and ADC input circuit designs.

The DG441LE, DG442LE operate on single and dual supplies. Single supply voltage ranges from 3 V to 16 V while dual supply operation is recommended with ± 3 V to ± 8 V. Each switch conducts equally well in both direction when on, and blocks input voltages up to the supply levels when off.

The DG441LE, DG442LE are available in 16 lead TSSOP, SOIC, and PDIP packages.

### FEATURES

- 3 V to 16 V single supply or ± 3 V to ± 8 V dual supply
- On-resistance  $R_{DS(on)}$ : 16 Ω
- Fast switching  $t_{ON}$ : 18 ns, typ.
- Low parasitic capacitance:
  - $C_{D(ON)}$ : 15 pF
  - $C_{S(OFF)}$ : 5 pF
- Less than 8 pC charge injection over the full signal swing range
- Low leakage: < 10 pA, typ.
- TTL, CMOS compatible
- Material categorization: for definitions of compliance please see [www.vishay.com/doc?99912](http://www.vishay.com/doc?99912)

### Note

\* This datasheet provides information about parts that are RoHS-compliant and / or parts that are non-RoHS-compliant. For example, parts with lead (Pb) terminations are not RoHS-compliant. Please see the information / tables in this datasheet for details.



RoHS\* Available

HALOGEN FREE Available

### BENEFITS

- Wide operation voltage range
- Low signal errors and distortion
- Fast switching time
- Minimized switching glitch

### APPLICATIONS

- Automatic test equipment
- Process control and automation
- Data acquisition systems
- Meters and instruments
- Medical and healthcare systems
- Communication systems
- Audio and video signal routing
- Relay replacement
- Battery powered systems

### FUNCTIONAL BLOCK DIAGRAM AND PIN CONFIGURATION



### TRUTH TABLE

| LOGIC | DG441LE | DG442LE |
|-------|---------|---------|
| 0     | On      | Off     |
| 1     | Off     | On      |

Logic "0" ≤ 0.8 V

Logic "1" ≥ 2.4 V



| ORDERING INFORMATION               |                  |               |                  |                             |
|------------------------------------|------------------|---------------|------------------|-----------------------------|
| TEMP. RANGE                        | CONFIGURATION    | PACKAGE       | PART NUMBER      | MIN. ORDER / PACK. QUANTITY |
| -40 °C to +85 °C<br>Lead (Pb)-free | DG441LE          | 16-pin TSSOP  | DG441LEDQ-GE3    | Tube 360 units              |
|                                    |                  |               | DG441LEDQ-T1-GE3 | Tape and reel, 3000 units   |
|                                    |                  | 16-pin SOIC   | DG441LEDY-GE3    | Tube 500 units              |
|                                    |                  |               | DG441LEDY-T1-GE3 | Tape and reel, 2500 units   |
|                                    |                  | 16-pin PDIP   | DG441LEDJ-GE3    | Tube 500 units              |
|                                    |                  | DG442LE       | 16-pin TSSOP     | DG442LEDQ-GE3               |
|                                    | DG442LEDQ-T1-GE3 |               |                  | Tape and reel, 3000 units   |
|                                    | 16-pin SOIC      |               | DG442LEDY-GE3    | Tube 500 units              |
|                                    |                  |               | DG442LEDY-T1-GE3 | Tape and reel, 2500 units   |
|                                    | 16-pin PDIP      | DG442LEDJ-GE3 | Tube 500 units   |                             |

| ABSOLUTE MAXIMUM RATINGS (T <sub>A</sub> = 25 °C, unless otherwise noted) |                                      |   |      |
|---|--------------------------------------|---|------|
| PARAMETER   | SYMBOL                               | LIMIT   | UNIT |
| V <sub>+</sub> to V <sub>-</sub>  |                                      | -0.3 to +18   | V    |
| GND to V <sub>-A</sub>  |                                      | 18  |      |
| Digital Inputs <sup>a</sup> V <sub>S</sub> , V <sub>D</sub>               |                                      | GND -0.3 to (V <sub>+</sub> ) + 0.3<br>or 30 mA, whichever occurs first |      |
| Continuous Current (any terminal)   |                                      | 30  | mA   |
| Current, S or D (pulsed 1 ms, 10 % duty cycle)                            |                                      | 100   |      |
| Storage Temperature   | (DQ, DY suffix)                      | -65 to +125   | °C   |
|   | (AK suffix)                          | -65 to +150   |      |
| Power Dissipation (packages) <sup>b</sup>                                 | 16-pin TSSOP <sup>c</sup>            | 450   | mW   |
|   | 16-pin narrow body SOIC <sup>d</sup> | 650   |      |
|   | 16-pin CerDIP <sup>e</sup>           | 900   |      |
| ESD Human Body Model (HBM); per ANSI / ESDA / JEDEC® JS-001               |                                      | 2500  | V    |
| Latch Up Current, per JESD78D   |                                      | 400   | mA   |

**Notes**

- Signals on S<sub>x</sub>, D<sub>x</sub>, or IN<sub>x</sub> exceeding V<sub>+</sub> or V<sub>-</sub> will be clamped by internal diodes. Limit forward diode current to maximum current ratings.
- All leads welded or soldered to PC board.
- Derate 7 mW/°C above 75 °C.
- Derate 7.6 mW/°C above 75 °C.
- Derate 12 mW/°C above 75 °C.

Stresses beyond those listed under "Absolute Maximum Ratings" may cause permanent damage to the device. These are stress ratings only, and functional operation of the device at these or any other conditions beyond those indicated in the operational sections of the specifications is not implied. Exposure to absolute maximum rating conditions for extended periods may affect device reliability.



| SPECIFICATIONS <sup>a</sup> (single supply 12 V)     |                     |  |                    |                   |   |                   |  |                   |               |
|--|---------------------|--|--------------------|-------------------|---|-------------------|--|-------------------|---------------|
| PARAMETER  | SYMBOL              | TEST CONDITIONS<br>UNLESS OTHERWISE<br>SPECIFIED<br>$V_+ = 12\text{ V}, V_- = 0\text{ V}$<br>$V_{IN} = 2.4\text{ V}, 0.8\text{ V}^f$ | TEMP. <sup>b</sup> | TYP. <sup>c</sup> | A SUFFIX<br>LIMITS<br>-55 °C to +125 °C |                   | D SUFFIX<br>LIMITS<br>-40 °C to +85 °C |                   | UNIT          |
|  |                     |  |                    |                   | MIN. <sup>d</sup>                       | MAX. <sup>d</sup> | MIN. <sup>d</sup>                      | MAX. <sup>d</sup> |               |
| <b>Analog Switch</b>                                 |                     |  |                    |                   |   |                   |  |                   |               |
| Analog Signal Range <sup>e</sup>                     | $V_{ANALOG}$        |  | Full               | -                 | 0                                       | 12                | 0                                      | 12                | V             |
| Drain-Source<br>On-Resistance                        | $R_{DS(on)}$        | $V_+ = 10.8\text{ V}, V_- = 0\text{ V}$<br>$I_S = 10\text{ mA}, V_D = 2\text{ V} / 9\text{ V}$                                       | Room               | 16                | -                                       | 26                | -                                      | 26                | $\Omega$      |
|  |                     |  | Full               | -                 | -                                       | 40                | -                                      | 35                |               |
| On-Resistance Match<br>Between Channels <sup>e</sup> | $\Delta R_{DS(on)}$ | $I_S = 10\text{ mA}, V_D = 9\text{ V}$   | Room               | 0.1               | -                                       | 0.5               | -                                      | 0.5               |               |
| Switch Off Leakage Current                           | $I_{S(off)}$        | $V_D = 1\text{ V} / 11\text{ V},$<br>$V_S = 11\text{ V} / 1\text{ V}$  | Room               | -                 | -1                                      | 1                 | -1                                     | 1                 | nA            |
|  |                     |  | Full               | -                 | -15                                     | 15                | -10                                    | 10                |               |
|  | Room                |  | -                  | -1                | 1                                       | -1                | 1                                      |                   |               |
|  | Full                |  | -                  | -15               | 15                                      | -10               | 10                                     |                   |               |
| Channel On Leakage Current                           | $I_{D(on)}$         | $V_S = V_D = 11\text{ V} / 1\text{ V}$   | Room               | -                 | -1                                      | 1                 | -1                                     | 1                 |               |
|  |                     |  | Full               | -                 | -15                                     | 15                | -10                                    | 10                |               |
| <b>Digital Control</b>                               |                     |  |                    |                   |   |                   |  |                   |               |
| Input Current, $V_{IN}$ Low                          | $I_{IL}$            | $V_{IN}$ under test = 0.8 V  | Full               | 0.01              | -1.5                                    | 1.5               | -1                                     | 1                 | $\mu\text{A}$ |
| Input Current, $V_{IN}$ High                         | $I_{IH}$            | $V_{IN}$ under test = 2.4 V  | Full               | -                 | -1.5                                    | 1.5               | -1                                     | 1                 |               |
| <b>Dynamic Characteristics</b>                       |                     |  |                    |                   |   |                   |  |                   |               |
| Turn-On Time   | $t_{ON}$            | $R_L = 300\ \Omega, C_L = 35\text{ pF}$<br>$V_S = 5\text{ V},$ see figure 2  | Room               | 18                | -                                       | 60                | -                                      | 60                | ns            |
|  |                     |  | Full               | -                 | -                                       | 80                | -                                      | 70                |               |
| Turn-Off Time  | $t_{OFF}$           |  | Room               | 18                | -                                       | 35                | -                                      | 35                |               |
|  |                     |  | Full               | -                 | -                                       | 50                | -                                      | 45                |               |
| Charge Injection <sup>e</sup>                        | Q                   | $V_g = 0\text{ V}, R_g = 0\ \Omega, C_L = 10\text{ nF}$  | Room               | 6.6               | -                                       | -                 | -                                      | -                 | pC            |
| Off Isolation <sup>e</sup>                           | OIRR                | $R_L = 50\ \Omega, C_L = 5\text{ pF},$<br>$f = 1\text{ MHz}$   | Room               | 68.4              | -                                       | -                 | -                                      | -                 | dB            |
| Channel-to-Channel Crosstalk <sup>e</sup>            | $X_{TALK}$          |  | Room               | 114               | -                                       | -                 | -                                      | -                 |               |
| Source Off Capacitance <sup>e</sup>                  | $C_{S(off)}$        | f = 1 MHz  | Room               | 5                 | -                                       | -                 | -                                      | -                 | pF            |
| Drain Off Capacitance <sup>e</sup>                   | $C_{D(off)}$        |  | Room               | 6                 | -                                       | -                 | -                                      | -                 |               |
| Channel On Capacitance <sup>e</sup>                  | $C_{D(on)}$         |  | Room               | 15                | -                                       | -                 | -                                      | -                 |               |
| <b>Power Supplies</b>                                |                     |  |                    |                   |   |                   |  |                   |               |
| Positive Supply Current                              | I +                 | $V_{IN} = 0\text{ V or }12\text{ V}$   | Full               | 0.03              | -                                       | 1.5               | -                                      | 1                 | $\mu\text{A}$ |
| Negative Supply Current                              | I -                 |  | Room               | -                 | -1                                      | -                 | -1                                     | -                 |               |
|  |                     |  | Full               | 0.002             | -7.5                                    | -                 | -5                                     | -                 |               |
| Ground Current                                       | $I_{GND}$           |  | Full               | 0.002             | -1.5                                    | -                 | -1                                     | -                 |               |



| SPECIFICATIONS <sup>a</sup> (dual supply $\pm 5$ V)  |                     |   |                    |                   |   |                   |  |                   |          |
|--|---------------------|---|--------------------|-------------------|---|-------------------|--|-------------------|----------|
| PARAMETER  | SYMBOL              | TEST CONDITIONS<br>UNLESS OTHERWISE<br>SPECIFIED<br>$V_+ = 5$ V, $V_- = -5$ V<br>$V_{IN} = 2.4$ V, $0.8$ V <sup>f</sup> | TEMP. <sup>b</sup> | TYP. <sup>c</sup> | A SUFFIX<br>LIMITS<br>-55 °C to +125 °C |                   | D SUFFIX<br>LIMITS<br>-40 °C to +85 °C |                   | UNIT     |
|  |                     |   |                    |                   | MIN. <sup>d</sup>                       | MAX. <sup>d</sup> | MIN. <sup>d</sup>                      | MAX. <sup>d</sup> |          |
| <b>Analog Switch</b>                                 |                     |   |                    |                   |   |                   |  |                   |          |
| Analog Signal Range <sup>e</sup>                     | $V_{ANALOG}$        |   | Full               | -                 | -5                                      | 5                 | -5                                     | 5                 | V        |
| Drain-Source<br>On-Resistance                        | $R_{DS(on)}$        | $V_+ = 5$ V, $V_- = -5$ V<br>$I_S = 10$ mA, $V_D = \pm 3.5$ V   | Room               | 18                | -                                       | 30                | -                                      | 30                | $\Omega$ |
|  |                     |   | Full               | -                 | -                                       | 42                | -                                      | 37                |          |
| On-Resistance Match<br>Between Channels <sup>e</sup> | $\Delta R_{DS(on)}$ | $I_S = 10$ mA, $V_D = \pm 3.5$ V  | Room               | 0.1               | -                                       | 0.5               | -                                      | 0.5               |          |
| Switch Off<br>Leakage Current <sup>g</sup>           | $I_{S(off)}$        | $V_+ = 5.5$ , $V_- = -5.5$ V<br>$V_D = \pm 4.5$ V, $V_S = \pm 4.5$ V  | Room               | -                 | -1                                      | 1                 | -1                                     | 1                 | nA       |
|  |                     |   | Full               | -                 | -15                                     | 15                | -10                                    | 10                |          |
|  | Room                |   | -                  | -1                | 1                                       | -1                | 1                                      |                   |          |
|  | Full                |   | -                  | -15               | 15                                      | -10               | 10                                     |                   |          |
| Channel On<br>Leakage Current <sup>g</sup>           | $I_{D(on)}$         | $V_+ = 5.5$ V, $V_- = -5.5$ V<br>$V_S = V_D = \pm 4.5$ V  | Room               | -                 | -1                                      | 1                 | -1                                     | 1                 |          |
|  |                     |   | Full               | -                 | -15                                     | 15                | -10                                    | 10                |          |
| <b>Digital Control</b>                               |                     |   |                    |                   |   |                   |  |                   |          |
| Input Current, $V_{IN}$ Low <sup>e</sup>             | $I_{IL}$            | $V_{IN}$ under test = 0.8 V   | Full               | 0.05              | -1.5                                    | 1.5               | -1                                     | 1                 | $\mu$ A  |
| Input Current, $V_{IN}$ High <sup>e</sup>            | $I_{IH}$            | $V_{IN}$ under test = 2.4 V   | Full               | 0.05              | -1.5                                    | 1.5               | -1                                     | 1                 |          |
| <b>Dynamic Characteristics</b>                       |                     |   |                    |                   |   |                   |  |                   |          |
| Turn-On Time   | $t_{ON}$            | $R_L = 300 \Omega$ , $C_L = 35$ pF<br>$V_S = \pm 3.5$ V, see figure 2   | Room               | 42                | -                                       | 65                | -                                      | 65                | ns       |
|  |                     |   | Full               | -                 | -                                       | 90                | -                                      | 75                |          |
| Turn-Off Time  | $t_{OFF}$           |   | Room               | 34                | -                                       | 45                | -                                      | 45                |          |
|  |                     |   | Full               | -                 | -                                       | 65                | -                                      | 55                |          |
| Charge Injection <sup>e</sup>                        | Q                   | $V_g = 0$ V, $R_g = 0 \Omega$ , $C_L = 10$ nF   | Room               | 5.8               | -                                       | -                 | -                                      | -                 | pC       |
| Off Isolation <sup>e</sup>                           | OIRR                | $R_L = 50 \Omega$ , $C_L = 5$ pF, $f = 1$ MHz   | Room               | 68.4              | -                                       | -                 | -                                      | -                 | dB       |
| Channel-to-Channel<br>Crosstalk <sup>e</sup>         | $X_{TALK}$          |   | Room               | 113               | -                                       | -                 | -                                      | -                 |          |
| Source Off Capacitance <sup>e</sup>                  | $C_{S(off)}$        | f = 1 MHz   | Room               | 5                 | -                                       | -                 | -                                      | -                 | pF       |
| Drain Off Capacitance <sup>e</sup>                   | $C_{D(off)}$        |   | Room               | 6                 | -                                       | -                 | -                                      | -                 |          |
| Channel On Capacitance <sup>e</sup>                  | $C_{D(on)}$         |   | Room               | 14                | -                                       | -                 | -                                      | -                 |          |
| <b>Power Supplies</b>                                |                     |   |                    |                   |   |                   |  |                   |          |
| Positive Supply Current <sup>e</sup>                 | I +                 | $V_{IN} = 0$ V or 5 V   | Full               | 0.002             | -                                       | 1.5               | -                                      | 1                 | $\mu$ A  |
| Negative Supply Current <sup>e</sup>                 | I -                 |   | Room               | -0.002            | -1                                      | -                 | -1                                     | -                 |          |
|  |                     |   | Full               | -                 | -7.5                                    | -                 | -5                                     | -                 |          |
| Ground Current <sup>e</sup>                          | $I_{GND}$           |   | Full               | -0.002            | -1.5                                    | -                 | -1                                     | -                 |          |



| SPECIFICATIONS <sup>a</sup> (single supply $\pm 5$ V) |                     |  |                    |                   |   |                   |  |                   |          |
|---|---------------------|--|--------------------|-------------------|---|-------------------|--|-------------------|----------|
| PARAMETER   | SYMBOL              | TEST CONDITIONS<br>UNLESS OTHERWISE<br>SPECIFIED<br>$V_+ = 5$ V, $V_- = 0$ V<br>$V_{IN} = 2.4$ V, $0.8$ V <sup>f</sup> | TEMP. <sup>b</sup> | TYP. <sup>c</sup> | A SUFFIX<br>LIMITS<br>-55 °C to +125 °C |                   | D SUFFIX<br>LIMITS<br>-40 °C to +85 °C |                   | UNIT     |
|   |                     |  |                    |                   | MIN. <sup>d</sup>                       | MAX. <sup>d</sup> | MIN. <sup>d</sup>                      | MAX. <sup>d</sup> |          |
| <b>Analog Switch</b>                                  |                     |  |                    |                   |   |                   |  |                   |          |
| Analog Signal Range <sup>e</sup>                      | $V_{ANALOG}$        |  | Full               | -                 | -                                       | 5                 | -                                      | 5                 | V        |
| Drain-Source<br>On-Resistance <sup>e</sup>            | $R_{DS(on)}$        | $V_+ = 4.5$ V<br>$I_S = 5$ mA, $V_D = 1$ V, $3.5$ V  | Room               | 36                | -                                       | 50                | -                                      | 50                | $\Omega$ |
|   |                     |  | Full               | -                 | -                                       | 88                | -                                      | 75                |          |
| On-Resistance Match<br>Between Channels <sup>e</sup>  | $\Delta R_{DS(on)}$ | $I_S = 10$ mA, $V_D = 3.5$ V   | Room               | 0.5               | -                                       | 1                 | -                                      | 1                 |          |
| <b>Dynamic Characteristics</b>                        |                     |  |                    |                   |   |                   |  |                   |          |
| Turn-On Time <sup>e</sup>                             | $t_{ON}$            | $R_L = 300$ $\Omega$ , $C_L = 35$ pF<br>$V_S = 3.5$ V, see figure 2  | Room               | 53                | -                                       | 70                | -                                      | 70                | ns       |
|   |                     |  | Hot                | -                 | -                                       | 90                | -                                      | 80                |          |
| Turn-Off Time <sup>e</sup>                            | $t_{OFF}$           |  | Room               | 34                | -                                       | 50                | -                                      | 50                |          |
|   |                     |  | Hot                | -                 | -                                       | 70                | -                                      | 60                |          |
| Charge Injection <sup>e</sup>                         | Q                   | $V_g = 0$ V, $R_g = 0$ $\Omega$ , $C_L = 10$ nF  | Room               | 3.3               | -                                       | -                 | -                                      | -                 | pC       |
| <b>Power Supplies</b>                                 |                     |  |                    |                   |   |                   |  |                   |          |
| Positive Supply Current <sup>e</sup>                  | I +                 | $V_{IN} = 0$ V or $5$ V  | Full               | 10                | -                                       | 200               | -                                      | 100               | $\mu$ A  |
| Negative Supply Current <sup>e</sup>                  | I -                 |  | Room               | -0.002            | -1                                      | -                 | -1                                     | -                 |          |
|   |                     |  | Full               | -                 | -7.5                                    | -                 | -5                                     | -                 |          |
| Ground Current <sup>e</sup>                           | $I_{GND}$           |  | Full               | -10               | -200                                    | -                 | -100                                   | -                 |          |



| SPECIFICATIONS <sup>a</sup> (single supply 3 V)      |                     |   |                    |                   |   |                   |  |                   |               |
|--|---------------------|---|--------------------|-------------------|---|-------------------|--|-------------------|---------------|
| PARAMETER  | SYMBOL              | TEST CONDITIONS<br>UNLESS OTHERWISE<br>SPECIFIED<br>$V_+ = 3\text{ V}, V_- = 0\text{ V}$<br>$V_{IN} = 0.4\text{ V}^f$ | TEMP. <sup>b</sup> | TYP. <sup>c</sup> | A SUFFIX<br>LIMITS<br>-55 °C to +125 °C |                   | D SUFFIX<br>LIMITS<br>-40 °C to +85 °C |                   | UNIT          |
|  |                     |   |                    |                   | MIN. <sup>d</sup>                       | MAX. <sup>d</sup> | MIN. <sup>d</sup>                      | MAX. <sup>d</sup> |               |
| <b>Analog Switch</b>                                 |                     |   |                    |                   |   |                   |  |                   |               |
| Analog Signal Range <sup>e</sup>                     | $V_{ANALOG}$        |   | Full               | -                 | 0                                       | 3                 | 0                                      | 3                 | V             |
| Drain-Source<br>On-Resistance                        | $R_{DS(on)}$        | $V_+ = 2.7\text{ V}, V_- = 0\text{ V}$<br>$I_S = 5\text{ mA}, V_D = 0.5\text{ V}, 2.2\text{ V}$                       | Room               | 106               | -                                       | 130               | -                                      | 130               | $\Omega$      |
|  |                     |   | Full               | -                 | -                                       | 150               | -                                      | 140               |               |
| On-Resistance Match<br>Between Channels <sup>e</sup> | $\Delta R_{DS(on)}$ | $I_S = 5\text{ mA}, V_D = 2.2\text{ V}$   | Room               | 1                 | -                                       | 3                 | -                                      | 3                 |               |
| Switch Off<br>Leakage Current <sup>g</sup>           | $I_{S(off)}$        | $V_+ = 3.3, V_- = 0\text{ V}$<br>$V_D = 1\text{ V}, 2\text{ V}, V_S = 2\text{ V}, 1\text{ V}$                         | Room               | -                 | -1                                      | 1                 | -1                                     | 1                 | nA            |
|  |                     |   | Full               | -                 | -15                                     | 15                | -10                                    | 10                |               |
|  | Room                |   | -                  | -1                | 1                                       | -1                | 1                                      |                   |               |
|  | Full                |   | -                  | -15               | 15                                      | -10               | 10                                     |                   |               |
| Channel On<br>Leakage Current <sup>g</sup>           | $I_{D(on)}$         | $V_+ = 3.3\text{ V}, V_- = 0\text{ V}$<br>$V_S = V_D = 1\text{ V}, 2\text{ V}$  | Room               | -                 | -1                                      | 1                 | -1                                     | 1                 |               |
|  |                     |   | Full               | -                 | -15                                     | 15                | -10                                    | 10                |               |
| <b>Digital Control</b>                               |                     |   |                    |                   |   |                   |  |                   |               |
| Input Current, $V_{IN}$ Low <sup>e</sup>             | $I_{IL}$            | $V_{IN}$ under test = 0.4 V   | Full               | 0.005             | -1.5                                    | 1.5               | -1                                     | 1                 | $\mu\text{A}$ |
| Input Current, $V_{IN}$ High <sup>e</sup>            | $I_{IH}$            | $V_{IN}$ under test = 2.4 V   | Full               | 0.005             | -1.5                                    | 1.5               | -1                                     | 1                 |               |
| <b>Dynamic Characteristics</b>                       |                     |   |                    |                   |   |                   |  |                   |               |
| Turn-On Time   | $t_{ON}$            | $R_L = 300\ \Omega, C_L = 35\text{ pF}$<br>$V_S = 1.5\text{ V},$ see figure 2   | Room               | 141               | -                                       | 200               | -                                      | 200               | ns            |
|  |                     |   | Full               | -                 | -                                       | 220               | -                                      | 210               |               |
| Turn-Off Time  | $t_{OFF}$           |   | Room               | 84                | -                                       | 120               | -                                      | 120               |               |
|  |                     |   | Full               | -                 | -                                       | 140               | -                                      | 130               |               |
| Charge Injection <sup>e</sup>                        | Q                   | $V_g = 0\text{ V}, R_g = 0\ \Omega, C_L = 10\text{ nF}$   | Room               | 2                 | -                                       | -                 | -                                      | -                 | pC            |
| Off Isolation <sup>e</sup>                           | OIRR                |   | Room               | 68                | -                                       | -                 | -                                      | -                 |               |
| Channel-to-Channel<br>Crosstalk <sup>e</sup>         | $X_{TALK}$          | $R_L = 50\ \Omega, C_L = 5\text{ pF}, f = 1\text{ MHz}$   | Room               | 107               | -                                       | -                 | -                                      | -                 | dB            |
| Source Off Capacitance <sup>e</sup>                  | $C_{S(off)}$        | f = 1 MHz   | Room               | 6                 | -                                       | -                 | -                                      | -                 | pF            |
| Drain Off Capacitance <sup>e</sup>                   | $C_{D(off)}$        |   | Room               | 7                 | -                                       | -                 | -                                      | -                 |               |
| Channel On Capacitance <sup>e</sup>                  | $C_{D(on)}$         |   | Room               | 15                | -                                       | -                 | -                                      | -                 |               |

**Notes**

- a. Refer to PROCESS OPTION FLOWCHART.
- b. Room = 25 °C, full = as determined by the operating temperature suffix.
- c. Typical values are for DESIGN AID ONLY, not guaranteed nor subject to production testing.
- d. The algebraic convention whereby the most negative value is a minimum and the most positive a maximum, is used in this datasheet.
- e. Guaranteed by design, not subject to production test.
- f.  $V_{IN}$  = input voltage to perform proper function.
- g. Leakage parameters are guaranteed by worst case test conditions and not subject to test.



TYPICAL CHARACTERISTICS (25 °C, unless otherwise noted)



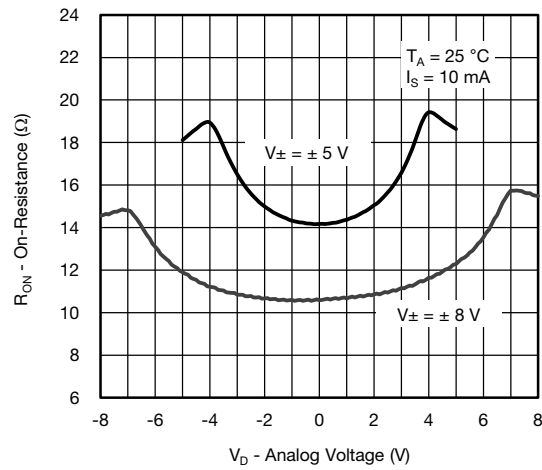
R<sub>DS(on)</sub> vs. Analog Voltage and Temperature



R<sub>DS(on)</sub> vs. Drain Voltage and Temperature



R<sub>DS(on)</sub> vs. Analog Voltage



R<sub>DS(on)</sub> vs. Analog Voltage



Leakage Current vs. Drain Voltage (Dual Supply)



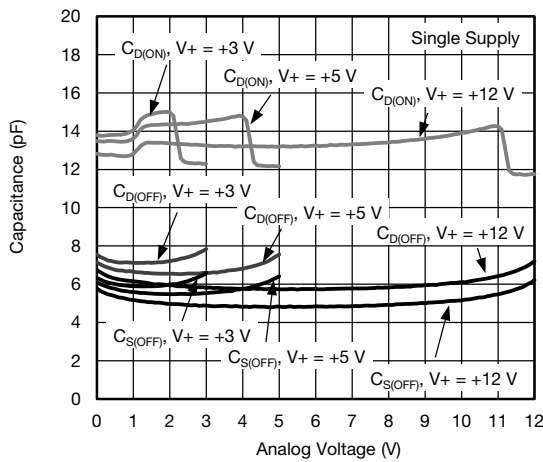
TYPICAL CHARACTERISTICS (25 °C, unless otherwise noted)



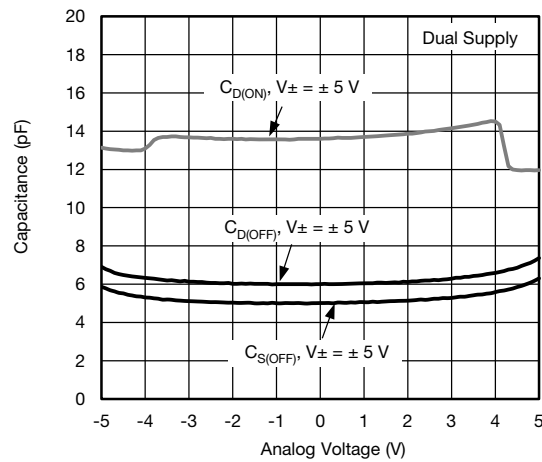
Switching Time vs. Single Supply



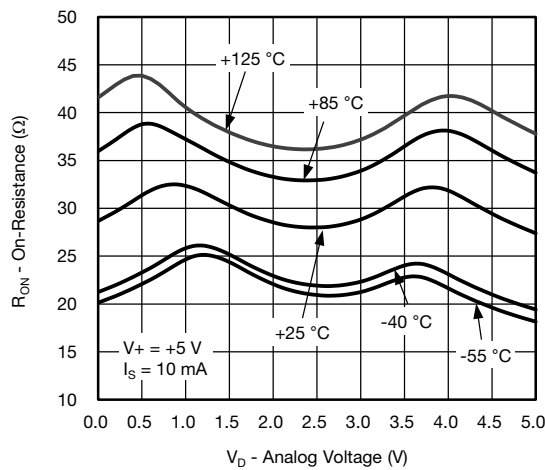
Switching Time vs. Dual Supply



Capacitance vs. Analog Voltage (Single Supply)



Capacitance vs. Analog Voltage (Dual Supply)



R<sub>DS(on)</sub> vs. Analog Voltage and Temperature





TYPICAL CHARACTERISTICS (25 °C, unless otherwise noted)



Input Threshold vs. Single Supply Voltage



Insertion Loss, Off Isolation and Crosstalk vs. Frequency (Single Supply)



Charge Injection vs. Analog Voltage



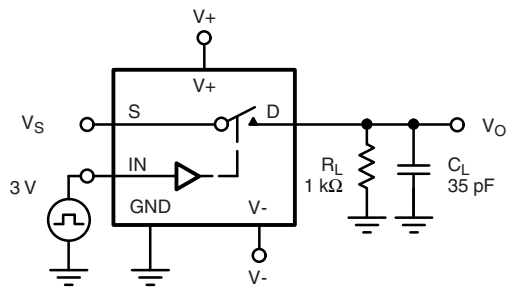
Supply Current vs. Temperature

**SCHEMATIC DIAGRAM** (typical channel)

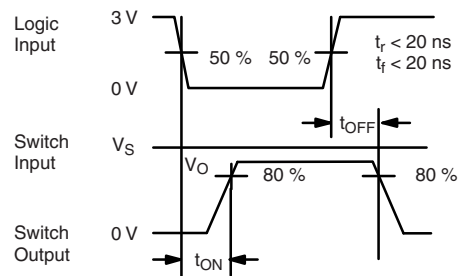


Fig. 1

**TEST CIRCUITS**



$C_L$  (includes fixture and stray capacitance)



Note: Logic input waveform is inverted for DG442.

Fig. 2 - Switching Time

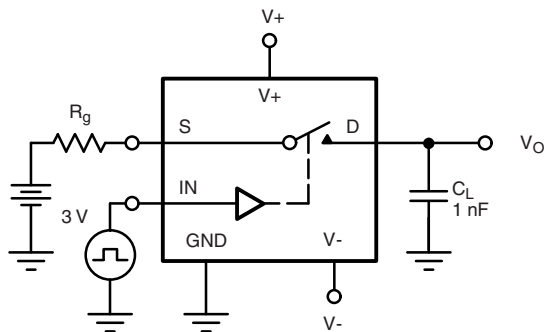


Fig. 3 - Charge Injection

TEST CIRCUITS



Fig. 4 - Crosstalk



Fig. 5 - Off Isolation

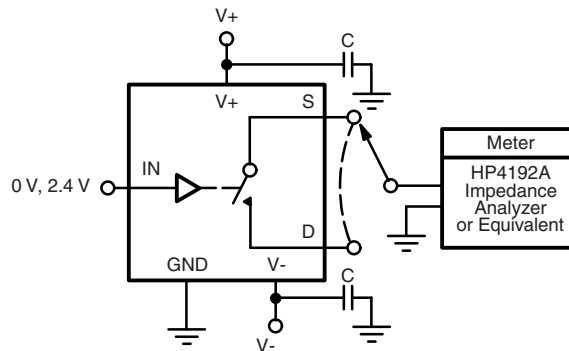


Fig. 6 - Source / Drain Capacitances

**APPLICATIONS**



**Fig. 7 - Power MOSFET Driver**



**Fig. 8 - Open Loop Sample-and-Hold**



Gain error is determined only by the resistor tolerance. Op amp offset and CMRR will limit accuracy of circuit.

With SW<sub>4</sub> Closed

$$\frac{V_{OUT}}{V_{IN}} = \frac{R_1 + R_2 + R_3 + R_4}{R_4} = 100$$

**Fig. 9 - Precision-Weighted Resistor Programmable-Gain Amplifier**

Vishay Siliconix maintains worldwide manufacturing capability. Products may be manufactured at one of several qualified locations. Reliability data for Silicon Technology and Package Reliability represent a composite of all qualified locations. For related documents such as package/tape drawings, part marking, and reliability data, see [www.vishay.com/ppg?76754](http://www.vishay.com/ppg?76754).



**SOIC (NARROW): 16-LEAD**  
JEDEC Part Number: MS-012



| Dim            | MILLIMETERS |       | INCHES    |       |
|----------------|-------------|-------|-----------|-------|
|                | Min         | Max   | Min       | Max   |
| A              | 1.35        | 1.75  | 0.053     | 0.069 |
| A <sub>1</sub> | 0.10        | 0.20  | 0.004     | 0.008 |
| B              | 0.38        | 0.51  | 0.015     | 0.020 |
| C              | 0.18        | 0.23  | 0.007     | 0.009 |
| D              | 9.80        | 10.00 | 0.385     | 0.393 |
| E              | 3.80        | 4.00  | 0.149     | 0.157 |
| e              | 1.27 BSC    |       | 0.050 BSC |       |
| H              | 5.80        | 6.20  | 0.228     | 0.244 |
| L              | 0.50        | 0.93  | 0.020     | 0.037 |
| ∅              | 0°          | 8°    | 0°        | 8°    |

ECN: S-03946—Rev. F, 09-Jul-01  
DWG: 5300



### PDIP: 16-LEAD



| Dim                  | MILLIMETERS |       | INCHES |       |
|----------------------|-------------|-------|--------|-------|
|                      | Min         | Max   | Min    | Max   |
| <b>A</b>             | 3.81        | 5.08  | 0.150  | 0.200 |
| <b>A<sub>1</sub></b> | 0.38        | 1.27  | 0.015  | 0.050 |
| <b>B</b>             | 0.38        | 0.51  | 0.015  | 0.020 |
| <b>B<sub>1</sub></b> | 0.89        | 1.65  | 0.035  | 0.065 |
| <b>C</b>             | 0.20        | 0.30  | 0.008  | 0.012 |
| <b>D</b>             | 18.93       | 21.33 | 0.745  | 0.840 |
| <b>E</b>             | 7.62        | 8.26  | 0.300  | 0.325 |
| <b>E<sub>1</sub></b> | 5.59        | 7.11  | 0.220  | 0.280 |
| <b>e<sub>1</sub></b> | 2.29        | 2.79  | 0.090  | 0.110 |
| <b>e<sub>A</sub></b> | 7.37        | 7.87  | 0.290  | 0.310 |
| <b>L</b>             | 2.79        | 3.81  | 0.110  | 0.150 |
| <b>Q<sub>1</sub></b> | 1.27        | 2.03  | 0.050  | 0.080 |
| <b>S</b>             | 0.38        | 1.52  | .015   | 0.060 |

ECN: S-03946—Rev. D, 09-Jul-01  
DWG: 5482

## TSSOP: 16-LEAD



| Symbols | DIMENSIONS IN MILLIMETERS |       |      |
|---------|---------------------------|-------|------|
|         | Min                       | Nom   | Max  |
| A       | -                         | 1.10  | 1.20 |
| A1      | 0.05                      | 0.10  | 0.15 |
| A2      | -                         | 1.00  | 1.05 |
| B       | 0.22                      | 0.28  | 0.38 |
| C       | -                         | 0.127 | -    |
| D       | 4.90                      | 5.00  | 5.10 |
| E       | 6.10                      | 6.40  | 6.70 |
| E1      | 4.30                      | 4.40  | 4.50 |
| e       | -                         | 0.65  | -    |
| L       | 0.50                      | 0.60  | 0.70 |
| L1      | 0.90                      | 1.00  | 1.10 |
| y       | -                         | -     | 0.10 |
| θ1      | 0°                        | 3°    | 6°   |

ECN: S-61920-Rev. D, 23-Oct-06  
DWG: 5624



## RECOMMENDED MINIMUM PAD FOR TSSOP-16



Recommended Minimum Pads  
Dimensions in inches (mm)



## RECOMMENDED MINIMUM PADS FOR SO-16



Recommended Minimum Pads  
Dimensions in Inches/(mm)

[Return to Index](#)



## Disclaimer

ALL PRODUCT, PRODUCT SPECIFICATIONS AND DATA ARE SUBJECT TO CHANGE WITHOUT NOTICE TO IMPROVE RELIABILITY, FUNCTION OR DESIGN OR OTHERWISE.

Vishay Intertechnology, Inc., its affiliates, agents, and employees, and all persons acting on its or their behalf (collectively, "Vishay"), disclaim any and all liability for any errors, inaccuracies or incompleteness contained in any datasheet or in any other disclosure relating to any product.

Vishay makes no warranty, representation or guarantee regarding the suitability of the products for any particular purpose or the continuing production of any product. To the maximum extent permitted by applicable law, Vishay disclaims (i) any and all liability arising out of the application or use of any product, (ii) any and all liability, including without limitation special, consequential or incidental damages, and (iii) any and all implied warranties, including warranties of fitness for particular purpose, non-infringement and merchantability.

Statements regarding the suitability of products for certain types of applications are based on Vishay's knowledge of typical requirements that are often placed on Vishay products in generic applications. Such statements are not binding statements about the suitability of products for a particular application. It is the customer's responsibility to validate that a particular product with the properties described in the product specification is suitable for use in a particular application. Parameters provided in datasheets and/or specifications may vary in different applications and performance may vary over time. All operating parameters, including typical parameters, must be validated for each customer application by the customer's technical experts. Product specifications do not expand or otherwise modify Vishay's terms and conditions of purchase, including but not limited to the warranty expressed therein.

Except as expressly indicated in writing, Vishay products are not designed for use in medical, life-saving, or life-sustaining applications or for any other application in which the failure of the Vishay product could result in personal injury or death. Customers using or selling Vishay products not expressly indicated for use in such applications do so at their own risk. Please contact authorized Vishay personnel to obtain written terms and conditions regarding products designed for such applications.

No license, express or implied, by estoppel or otherwise, to any intellectual property rights is granted by this document or by any conduct of Vishay. Product names and markings noted herein may be trademarks of their respective owners.

## Material Category Policy

**Vishay Intertechnology, Inc. hereby certifies that all its products that are identified as RoHS-Compliant fulfill the definitions and restrictions defined under Directive 2011/65/EU of The European Parliament and of the Council of June 8, 2011 on the restriction of the use of certain hazardous substances in electrical and electronic equipment (EEE) - recast, unless otherwise specified as non-compliant.**

**Please note that some Vishay documentation may still make reference to RoHS Directive 2002/95/EC. We confirm that all the products identified as being compliant to Directive 2002/95/EC conform to Directive 2011/65/EU.**

**Vishay Intertechnology, Inc. hereby certifies that all its products that are identified as Halogen-Free follow Halogen-Free requirements as per JEDEC JS709A standards. Please note that some Vishay documentation may still make reference to the IEC 61249-2-21 definition. We confirm that all the products identified as being compliant to IEC 61249-2-21 conform to JEDEC JS709A standards.**

Компания «Life Electronics» занимается поставками электронных компонентов импортного и отечественного производства от производителей и со складов крупных дистрибьюторов Европы, Америки и Азии.

С конца 2013 года компания активно расширяет линейку поставок компонентов по направлению коаксиальный кабель, кварцевые генераторы и конденсаторы (керамические, пленочные, электролитические), за счёт заключения дистрибьюторских договоров

Мы предлагаем:

- Конкуренспособные цены и скидки постоянным клиентам.
- Специальные условия для постоянных клиентов.
- Подбор аналогов.
- Поставку компонентов в любых объемах, удовлетворяющих вашим потребностям.
- Приемлемые сроки поставки, возможна ускоренная поставка.
- Доставку товара в любую точку России и стран СНГ.
- Комплексную поставку.
- Работу по проектам и поставку образцов.
- Формирование склада под заказчика.
- Сертификаты соответствия на поставляемую продукцию (по желанию клиента).
- Тестирование поставляемой продукции.
- Поставку компонентов, требующих военную и космическую приемку.
- Входной контроль качества.
- Наличие сертификата ISO.

В составе нашей компании организован Конструкторский отдел, призванный помогать разработчикам, и инженерам.

Конструкторский отдел помогает осуществить:

- Регистрацию проекта у производителя компонентов.
- Техническую поддержку проекта.
- Защиту от снятия компонента с производства.
- Оценку стоимости проекта по компонентам.
- Изготовление тестовой платы монтаж и пусконаладочные работы.



Тел: +7 (812) 336 43 04 (многоканальный)

Email: [org@lifeelectronics.ru](mailto:org@lifeelectronics.ru)