

KAF-3200

2184 (H) x 1472 (V) Full Frame CCD Image Sensor

Description

The KAF-3200 Image Sensor is a high performance CCD (charge-coupled device) with 2184 (H) x 1472 (V) photoactive pixels designed for a wide range of image sensing applications.

The sensor incorporates true two-phase CCD technology, simplifying the support circuits required to drive the sensor as well as reducing dark current without compromising charge capacity. The sensor also utilizes the TRUESENSE Transparent Gate Electrode to improve sensitivity compared to the use of a standard front side illuminated polysilicon electrode.

Table 1. GENERAL SPECIFICATIONS

Parameter	Typical Value
Architecture	Full Frame CCD
Total Number of Pixels	2184 (H) x 1510 (V)
Number of Active Pixels	2184 (H) x 1472 (V)
Pixel Size	6.8 μm (H) x 6.8 μm (V)
Active Imager Size	14.85 mm (H) x 10.26 mm (V) 18 mm (diag), 4/3" optical format
Optical Fill-Factor	100%
Saturation Signal	55,000 electrons
Output Sensitivity	12 $\mu\text{V}/\text{e}^-$
Readout Noise (1 MHz)	7 electrons rms
Dark Current (25°C, Accumulation Mode)	< 7 pA/cm ²
Dark Current Doubling Rate	6°C
Dynamic Range (Sat Sig / Dark Noise)	78 dB
Quantum Efficiency with microlenses (Red, Green, Blue)	55%, 70%, 80%
Maximum Data Rate	15 MHz
Package	CERDIP Package (sidebrazed)
Cover Glass	Clear or AR coated, 2 sides

NOTE: Parameters above are specified at T = 25°C unless otherwise noted.



ON Semiconductor®

www.onsemi.com

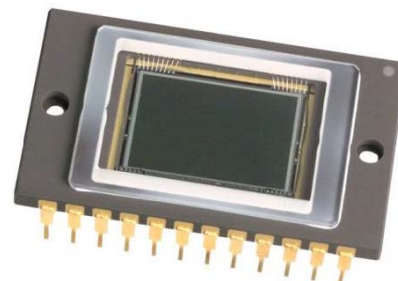


Figure 1. KAF-3200 CCD Image Sensor

Features

- True Two Phase Full Frame Architecture
- TRUESENSE Transparent Gate Electrode for High Sensitivity
- 100% Fill Factor
- Low Dark Current
- Microlenses
- High Output Sensitivity

Applications

- Medical Imaging
- Scientific Imaging

ORDERING INFORMATION

See detailed ordering and shipping information on page 2 of this data sheet.

KAF-3200

ORDERING INFORMATION

Table 2. ORDERING INFORMATION

Part Number	Description	Marking Code
KAF-3200-ABA-CD-B2	Monochrome, Telecentric Microlens, CERDIP Package (sidebrazed), Clear Cover Glass with AR coating (both sides), Grade 2	KAF-3200-ABA (Serial Number)
KAF-3200-ABA-CD-AE	Monochrome, Telecentric Microlens, CERDIP Package (sidebrazed), Clear Cover Glass with AR coating (both sides), Engineering Sample	
KAF-3200-ABA-CP-B2	Monochrome, Telecentric Microlens, CERDIP Package (sidebrazed), Taped Clear Cover Glass, no coatings, Grade 2	KAF-3200-ABA (Serial Number)
KAF-3200-ABA-CP-AE	Monochrome, Telecentric Microlens, CERDIP Package (sidebrazed), Taped Clear Cover Glass, no coatings, Engineering Sample	
KAF-3200-12-5-A-EVK	Evaluation Board (Complete Kit)	N/A

See the ON Semiconductor *Device Nomenclature* document (TND310/D) for a full description of the naming convention used for image sensors. For reference documentation, including information on evaluation kits, please visit our web site at www.onsemi.com.

KAF-3200

DEVICE DESCRIPTION

Architecture

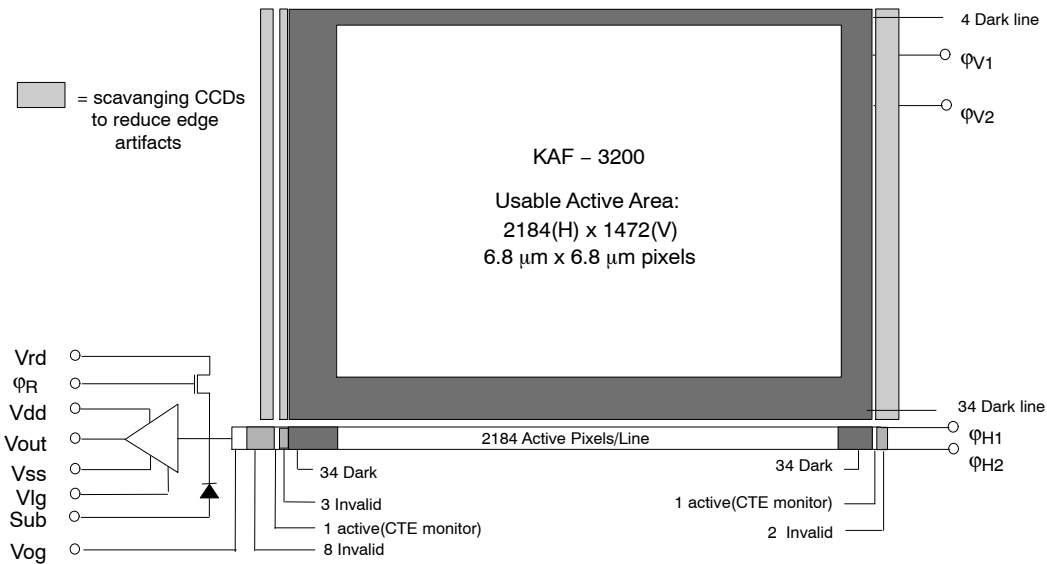


Figure 2. Block Diagram

The sensor is built with a true two-phase CCD technology employing a transparent gate and with microlenses available. This technology simplifies the support circuits that drive the sensor and reduces the dark current without compromising charge capacity. The transparent gate results in spectral response increased ten times at 400 nm, compared to a front side illuminated standard poly silicon gate technology. The micro lenses are an integral part of each pixel and cause most of the light to pass through the transparent gate half of the pixel, further improving the spectral sensitivity.

The photoactive area is 14.85 mm x 10.26 mm and is housed in a 24 pin, dual in line (DIP) package with 0.1" pin spacing.

The sensor consists of 2254 parallel (vertical) CCD shift registers each 1510 elements long. These registers act as both the photosensitive elements and as the transport circuits that allow the image to be sequentially read out of the sensor. The parallel (vertical) CCD registers transfer the image one line at a time into a single 2267 element (horizontal) CCD shift register. The horizontal register transfers the charge to a single output amplifier. The output amplifier is a two-stage source follower that converts the photo-generated charge to a voltage for each pixel.

Dark Reference Pixels

At the beginning of each line are 34 light shielded pixels. There are also 34 full dark lines at the start of every frame and 4 full dark lines at the end of each frame. Under normal circumstances, the pixels in these dark lines do not respond to light. However, dark reference pixels in close proximity to an active pixel, (including the 2 full dark lines and one column at end of each line), can scavenge signal depending on light intensity and wavelength and therefore will not represent the true dark signal.

Output Structure

Charge presented to the floating diffusion (FD) is converted into a voltage and current amplified in order to drive off-chip loads. The resulting voltage change seen at the output is linearly related to the amount of charge placed on FD. Once the signal has been sampled by the system electronics, the reset gate (ϕ_R) is clocked to remove the signal and FD is reset to the potential applied by VRD. More signal at the floating diffusion reduces the voltage seen at the output pin. In order to activate the output structure, an off-chip load must be added to the Vout pin of the device. See Figure 3.

Transfer Efficiency Test Pixels and Dummy Pixels

At the beginning of each line and at the end of each line are extra horizontal CCD pixels. These are a combination of pixels that are not associated with any vertical CCD register and two that are associated with extra photoactive vertical CCDs. These are provided to give an accurate photosensitive signal that can be used to monitor the charge transfer efficiency in the serial (horizontal) register.

They are arranged as follows beginning with the first pixel in each line.

- 8 dark, inactive pixels
- 1 photoactive
- 3 inactive pixels
- 34 dark reference pixels
- 2184 photoactive pixels
- 34 dark pixels
- 1 photo active pixel
- 2 inactive pixels

Image Acquisition

An electronic representation of an image is formed when incident photons falling on the sensor plane create electron-hole pairs within the sensor. These photon-induced electrons are collected locally by the formation of potential wells at each pixel site. The number of electrons collected is linearly dependent on light level and exposure time, and non-linearly dependent on wavelength. When the pixel's capacity is reached, excess electrons will leak into the adjacent pixels within the same column. This is termed blooming. During the integration period, the $\phi V1$ and $\phi V2$ register clocks are held at a constant (low) level. See Figure 7.

Charge Transport

Referring to Figure 8, the integrated charge from each photo-gate is transported to the output using a two-step process. Each line (row) of charge is first transported from the vertical CCDs to the horizontal CCD register using the $\phi V1$ and $\phi V2$ register clocks. The horizontal CCD is presented a new line on the falling edge of $\phi V1$ while $\phi H2$ is held high. The horizontal CCD's then transport each line, pixel by pixel, to the output structure by alternately clocking the $\phi H1$ and $\phi H2$ pins in a complementary fashion. On each falling edge of $\phi H1$ a new charge packet is transferred onto a floating diffusion and sensed by the output amplifier.

Horizontal Register

Output Structure

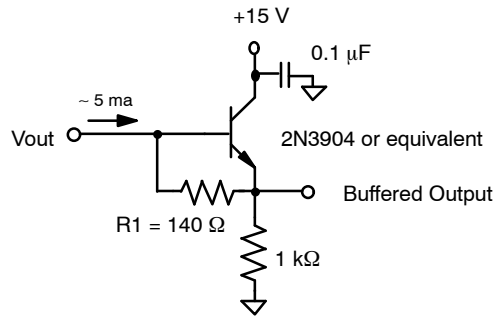


Figure 3. Output Structure Load Diagram

Notes:

1. For Operation of up to 10 MHz.
2. The value of R1 depends on the desired output current according the following formula:

$$R1 = 0.7 / I_{out}$$
3. The optimal output current depends on the capacitance that needs to be driven by the amplifier and the bandwidth required. 5 mA is recommended for capacitance of 12 pF and pixel rates up to 15 MHz.

KAF-3200

PHYSICAL DESCRIPTION

Pin Description and Device Orientation

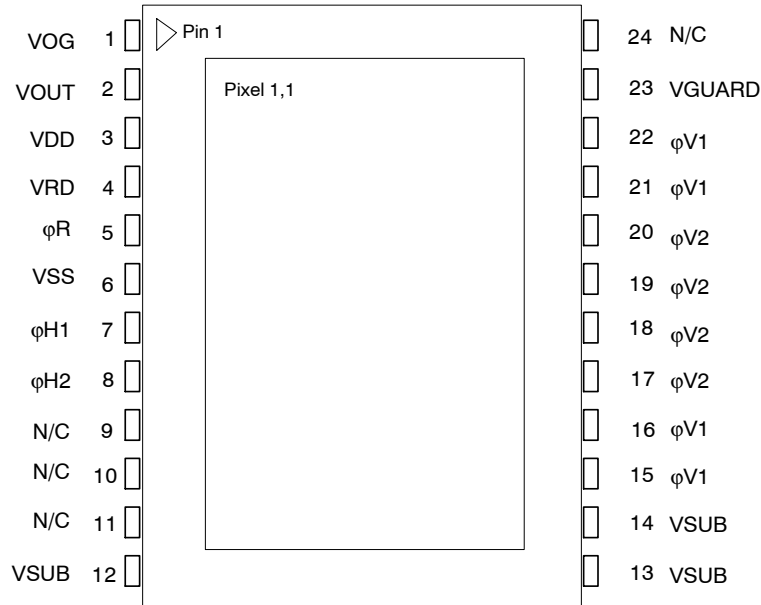


Figure 4. Pinout Diagram

NOTE: The KAF-3200 is designed to be compatible with the KAF-1602 and KAF-0401 series of Image sensors. The exception is the addition of two new Vsub connections on pins 12 and 13.

Table 3. PIN DESCRIPTION

Pin	Name	Description
1	VOG	Output Gate
2	VOUT	Video Output
3	VDD	Amplifier Supply
4	VRD	Reset Drain
5	ϕR	Reset Clock
6	VSS	Amplifier Supply Return
7	$\phi H1$	Horizontal CCD Clock – Phase 1
8	$\phi H2$	Horizontal CCD Clock – Phase 2
9	N/C	No Connection (open pin)
10	N/C	No Connection (open pin)
11	N/C	No Connection (open pin)
12	VSUB	Substrate (Ground)

Pin	Name	Description
24	N/C	No Connection (open pin)
23	VGUARD	Substrate (Ground)
22	$\phi V1$	Vertical CCD Clock – Phase 1
21	$\phi V1$	Vertical CCD Clock – Phase 1
20	$\phi V2$	Vertical CCD Clock – Phase 2
19	$\phi V2$	Vertical CCD Clock – Phase 2
18	$\phi V2$	Vertical CCD Clock – Phase 2
17	$\phi V2$	Vertical CCD Clock – Phase 2
16	$\phi V1$	Vertical CCD Clock – Phase 1
15	$\phi V1$	Vertical CCD Clock – Phase 1
14	VSUB	Substrate (Ground)
13	VSUB	Substrate (Ground)

IMAGING PERFORMANCE

Typical Operational Conditions

All values measured at 25°C, and nominal operating conditions. These parameters exclude defective pixels.

Table 4. SPECIFICATIONS

Description	Symbol	Min	Nom.	Max	Units	Notes	Verification Plan
Saturation Signal Vertical CCD Capacity Horizontal CCD Capacity Output Node Capacity	Nsat	50,000 100,000 100,000	55,000 110,000 110,000	120,000	e ⁻ /pixel	1	design ¹¹
Quantum Efficiency with Microlenses Red Blue Green		55 70 80			%QE	3	design ¹¹ design ¹¹ design ¹¹
Photoresponse Non-Linearity	PRNL		1	2	%	2	design ¹¹
Photoresponse Non-Uniformity	PRNU		1	3	%	3	die ¹⁰
Dark Signal	Jdark		15 6	30 10	e ⁻ / pixel / s pA/cm ²	4	die ¹⁰
Dark Signal Doubling Temperature		5	6	7	°C		design ¹¹
Dark Signal Non-Uniformity	DSNU		15	30	e ⁻ / pixel / s	5	die ¹⁰
Dynamic Range	DR	72	77		dB	6	design ¹¹⁸
Charge Transfer Efficiency	CTE	0.99997	0.99999				die ¹⁰
Output Amplifier DC Offset	Vodc	Vrd - 2	Vrd - 1	Vrd	V	7	die ¹⁰
Output Amplifier Bandwidth	f _{-3dB}		45		MHz	8	design ¹¹
Output Amplifier Sensitivity	Vout/ne ⁻	18	20		μV/e ⁻		design ¹¹
Output Amplifier Output Impedance	Zout	175	200	250	Ω		design ¹¹
Noise Floor	ne ⁻		7	12	electrons	9	die ¹⁰

- For pixel binning applications, electron capacity up to 150,000 can be achieved with modified CCD inputs. Each sensor may have to be optimized individually for these applications. Some performance parameters may be compromised to achieve the largest signals.
- Worst case deviation from straight line fit, between 2% and 90% of Nsat.
- One Sigma deviation of a 128 x 128 sample when CCD illuminated uniformly.
- Average of all pixels with no illumination at 25°C.
- Average dark signal of any of 11 x 8 blocks within the sensor. (Each block is 128 x 128 pixels)
- 20log (Nsat / ne⁻) at nominal operating frequency and 25°C.
- Video level offset with respect to ground.
- Last output amplifier stage only. Assumes 10 pF off-chip load.
- Output noise at -10°C, 1 MHz operating frequency (15 MHz bandwidth), and tint = 0 (excluding dark signal).
- A parameter that is measured on every sensor during production testing.
- A parameter that is quantified during the design verification activity.

KAF-3200

TYPICAL PERFORMANCE CURVES

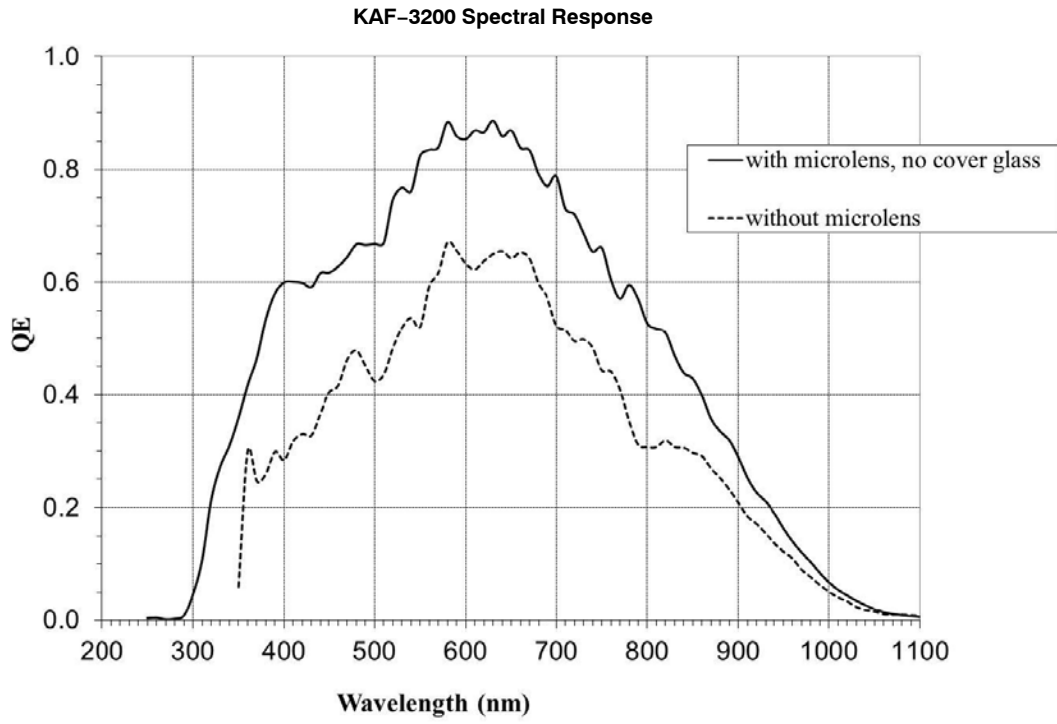


Figure 5. Typical Spectral Response

DEFECT DEFINITIONS

Operating Conditions

All defect tests performed at T = 25°C.

Table 5. SPECIFICATIONS

Classification	Point Defect		Cluster Defect		Column Defect	
	Total	Zone A	Total	Zone A	Total	Zone A
C2	≤ 10	≤ 5	≤ 4	≤ 2	0	0

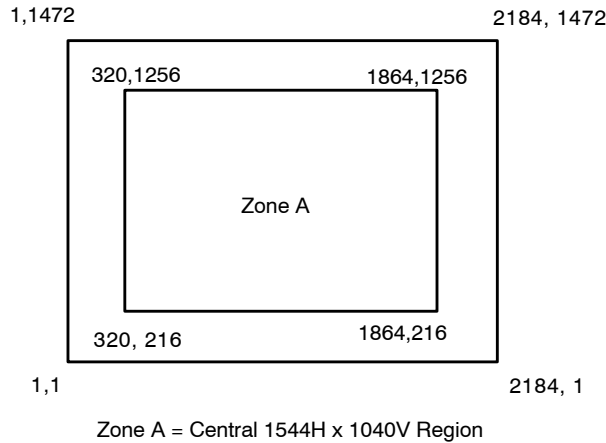


Figure 6. Active Pixel Region

Point Defects

Dark: A pixel that deviates by more than 6% from neighboring pixels when illuminated to 70% of saturation.

–or–

Bright: A pixel with a dark current greater than 15000 e⁻/pixel/sec at 25°C.

Cluster Defect

A grouping of not more than 5 adjacent point defects.

Column Defect

A grouping of > 5 contiguous point defects along a single column.

A column containing a pixel with dark current > 12,000 e⁻/pixel/sec (bright column).

–or–

A column column that does not meet the minimum vertical CCD charge capacity (low charge capacity column).

–or–

A column which loses more than 250 e⁻ under 2 ke⁻ illumination (trap defect).

Neighboring Pixels

The surrounding 128 x 128 pixels or ±64 column/rows.

Defect Separation

Column and cluster defects are separated by no less than two (2) pixels in any direction (excluding single pixel defects).

OPERATION

Table 6. ABSOLUTE MAXIMUM RATINGS

Description	Symbol	Minimum	Maximum	Units	Notes
Diode Pin Voltages	Vdiode	0	20	V	1, 2
Gate Pin Voltages – Type 1	Vgate1	-16	16	V	1, 3
Gate Pin Voltages – Type 2	Vgate2	0	16	V	1, 4
Inter-Gate Voltages	Vg-g		16	V	5
Output Bias Current	I _{out}		-10	mA	6
Output Load Capacitance	Cload		15	pF	6
Operating Temperature	T _{OP}	-60	60	°C	
Humidity	RH	5	90	%	7

Stresses exceeding those listed in the Maximum Ratings table may damage the device. If any of these limits are exceeded, device functionality should not be assumed, damage may occur and reliability may be affected.

1. Referenced to pin SUB.
2. Includes pins: VRD, VDD, VSS, VOUT.
3. Includes pins: $\phi V1$, $\phi V2$, $\phi H1$, $\phi H2$.
4. Includes pins: VOG, ϕR .
5. Voltage difference between overlapping gates. Includes: $\phi V1$ to $\phi V2$, $\phi H1$ to $\phi H2$, $\phi V2$ to $\phi H1$, $\phi H2$ to VOG.
6. Avoid shorting output pins to ground or any low impedance source during operation.
7. T = 25°C. Excessive humidity will degrade MTTF.

Table 7. DC BIAS OPERATING CONDITIONS

Description	Symbol	Minimum	Nominal	Maximum	Units	Maximum DC Current (mA)	Notes
Reset Drain	VRD	11.0	12.0	12.25	V	0.01	
Output Amplifier Return	VSS	2.5	3.0	3.2	V	-0.5	
Output Amplifier Supply	VDD	14.5	15.0	15.25	V	I _{OUT}	
Substrate	VSUB	0	0	0	V	0.01	
Output Gate	VOG	4.75	5.0	5.5	V	0.01	
Guard	VGUARD	9.0	10.0	12.0	V		
Video Output Current	I _{OUT}		-5.0	-10.0	mA		1

1. An output load sink must be applied to Vout to activate output amplifier – see Figure 3.

AC Operating Conditions

Table 8. CLOCK LEVELS

Description	Symbol	Level	Minimum	Nominal	Maximum	Units	Effective Capacitance
Vertical CCD Clock – Phase 1	$\phi V1$	Low	-10.0	-8.5	-8.5	V	5 nF (all $\phi V1$ pins)
Vertical CCD Clock – Phase 1	$\phi V1$	High	0.0	2.0	3.0	V	5 nF (all $\phi V1$ pins)
Vertical CCD Clock – Phase 2	$\phi V2$	Low	-10.0	-8.5	-8.5	V	5 nF (all $\phi V2$ pins)
Vertical CCD Clock – Phase 2	$\phi V2$	High	0.0	2.0	3.0	V	5 nF (all $\phi V2$ pins)
Horizontal CCD Clock – Phase 1	$\phi H1$	Low	-3.5	-3.0	-2.0	V	150 pF
Horizontal CCD Clock – Phase 1	$\phi H1$	High	$\phi H1$ Low + 10	7.0	$\phi H1$ Low + 10	V	150 pF
Horizontal CCD Clock – Phase 2	$\phi H2$	Low	-3.5	-3.0	-2.0	V	150 pF
Horizontal CCD Clock – Phase 2	$\phi H2$	High	$\phi H2$ Low + 10	7.0	$\phi H2$ Low + 10	V	150 pF
Reset Clock	ϕR	Low	3.0	4.0	4.25	V	5 pF
Reset Clock	ϕR	High	10.0	11.0	11.25	V	5 pF

1. All pins draw less than 10 μA DC current.

TIMING

Table 9. REQUIREMENTS AND CHARACTERISTICS

Description	Symbol	Minimum	Nominal	Maximum	Units	Notes
$\phi H1, \phi H2$ Clock Frequency	f_H		10	12	MHz	1, 2, 3
Pixel Period (1 count)	t_e	67	100		ns	
$\phi H1, \phi H2$ Setup Time	$t_{\phi HS}$	0.5	1		μs	
$\phi V1, \phi V2$ Clock Pulse Width	$t_{\phi V}$	4	5		μs	2
Reset Clock Pulse Width	$t_{\phi R}$	5	20		ns	4
Readout Time	$t_{readout}$	252.5	366.3		ms	5
Integration Time	t_{int}					6
Line Time	t_{line}	167.2	242.6		μs	7

1. 50% duty cycle values.
2. CTE may degrade above the nominal frequency.
3. Rise and fall times (10/90% levels) should be limited to 5–10% of clock period. Cross-over of register clocks should be between 40–60% of amplitude.
4. ϕR should be clocked continuously.
5. $t_{readout} = (1510 * t_{line})$
6. Integration time is user specified. Longer integration times will degrade noise performance due to dark signal fixed pattern and shot noise.
7. $t_{line} = (3 * t_{\phi V}) + t_{\phi HS} + (2267) + t_e$

Frame Timing

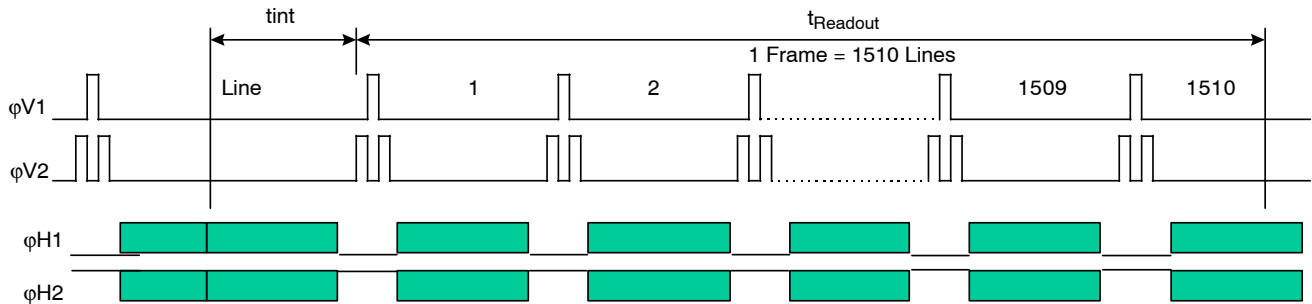


Figure 7. Frame Timing

Line Timing (Each Output)

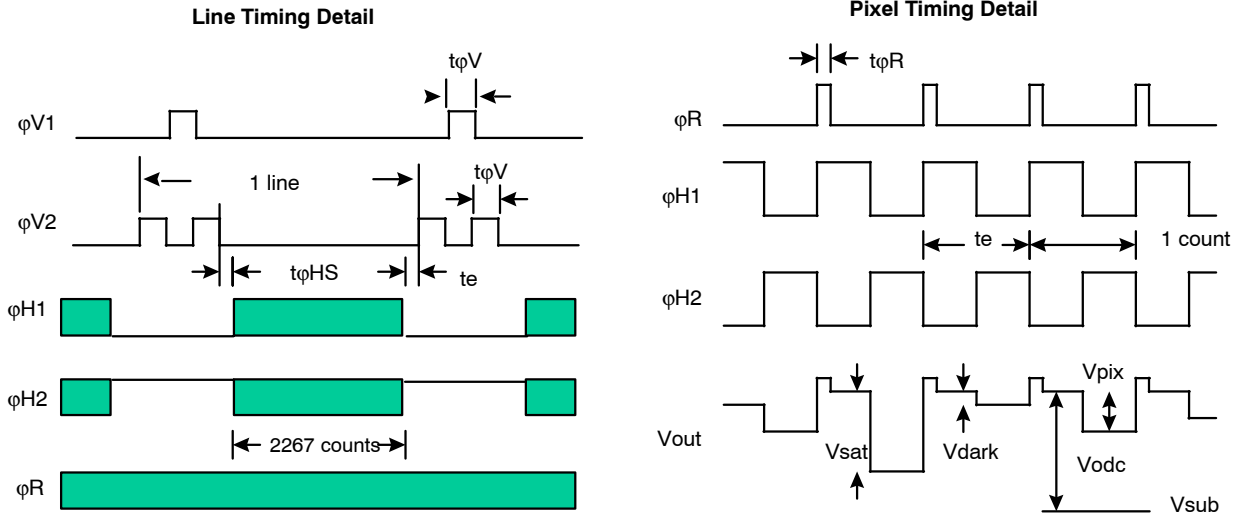
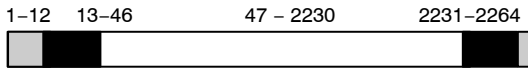


Figure 8. Line Timing

Line Content



- Photoactive Pixels
- Dummy Pixels
- Dark Reference Pixels

- Vsat Saturated pixel video output signal
- Vdark Video output signal in no light situation, not zero due to Jdark
- Vpix Pixel video output signal level, more electrons =more negative*
- Vodc Video level offset with respect to vsub
- Vsub Analog Ground

* See Image Acquisition section (page 4)

Figure 9. Timing Diagrams

NOTE: The KAF-3200 was designed to be compatible with the KAF-1602 and KAF-0401 series of image sensors. Please note that the polarities of the two-phase clocks have been swapped on the KAF-3200 compared to the KAF-1602 and KAF-0401.

STORAGE AND HANDLING

Table 10. STORAGE CONDITIONS

Description	Symbol	Minimum	Maximum	Units	Notes
Storage Temperature	T _{ST}	-20	80	°C	1
Humidity	RH	5	90	%	2

1. Storage toward the maximum temperature will accelerate color filter degradation.
2. T = 25°C. Excessive humidity will degrade MTTF.

For information on ESD and cover glass care and cleanliness, please download the *Image Sensor Handling and Best Practices* Application Note (AN52561/D) from www.onsemi.com.

For information on soldering recommendations, please download the *Soldering and Mounting Techniques Reference Manual* (SOLDERRM/D) from www.onsemi.com.

For quality and reliability information, please download the *Quality & Reliability Handbook* (HBD851/D) from www.onsemi.com.

For information on device numbering and ordering codes, please download the *Device Nomenclature* technical note (TND310/D) from www.onsemi.com.

For information on Standard terms and Conditions of Sale, please download [Terms and Conditions](http://www.onsemi.com) from www.onsemi.com.

MECHANICAL INFORMATION

Completed Assembly

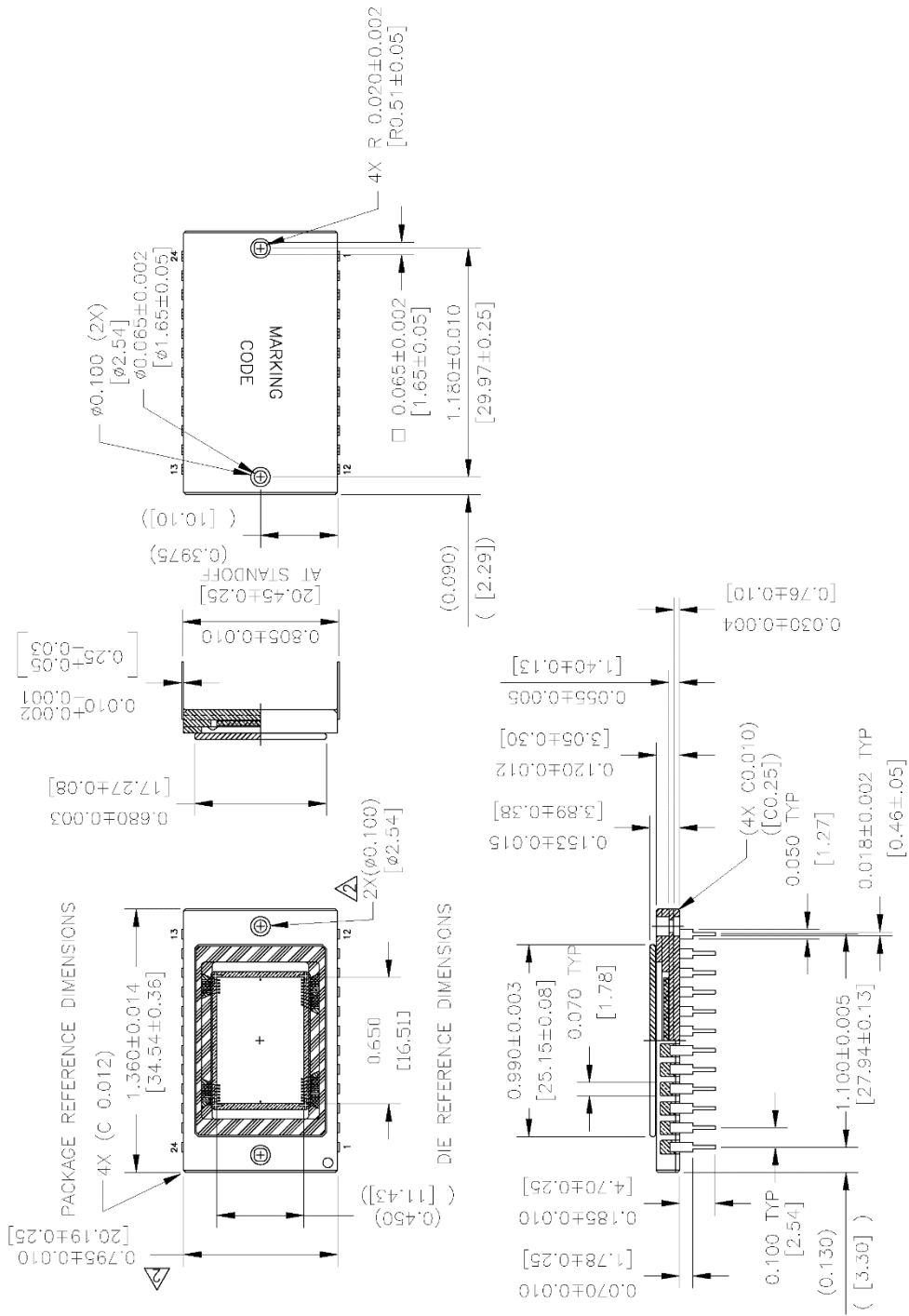


Figure 10. Completed Assembly (1 of 2)

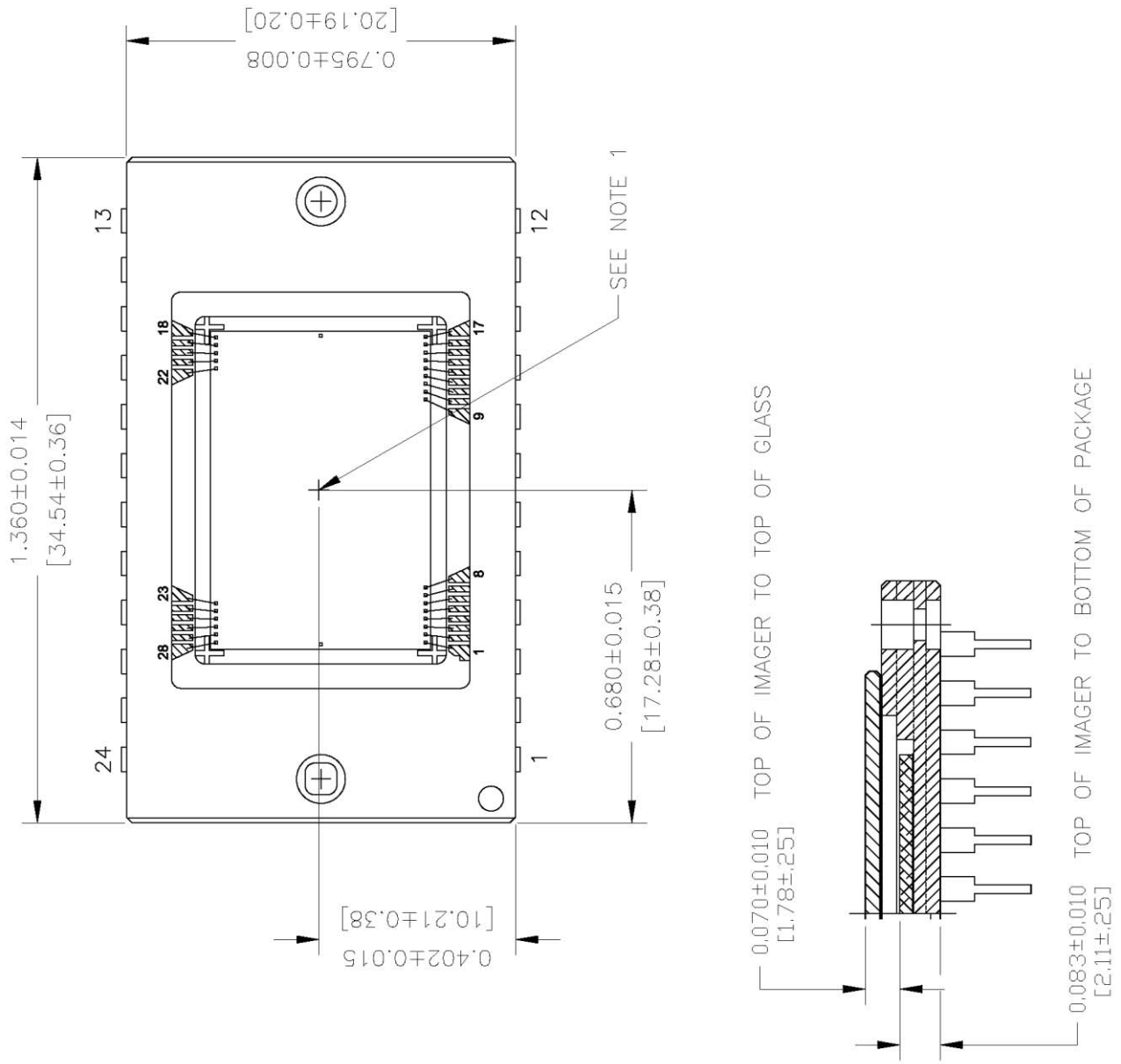


Figure 11. Completed Assembly (2 of 2)

AR Cover Glass Transmission

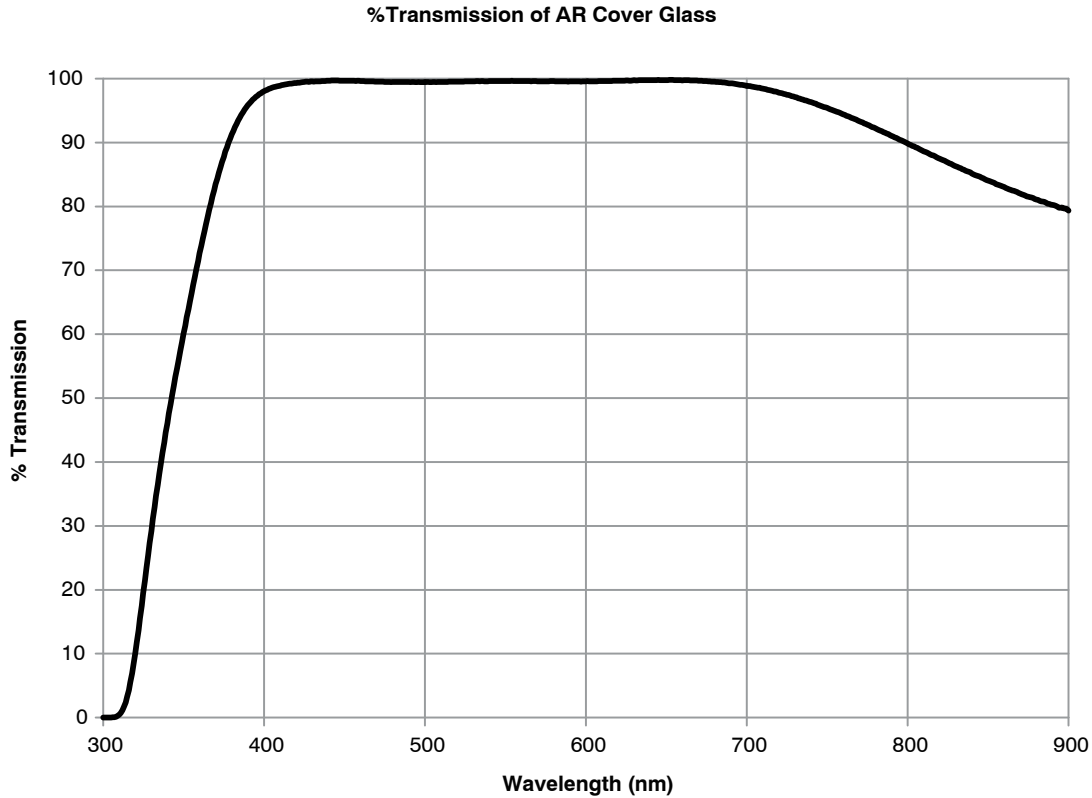



Figure 12. Antireflective Cover Glass Transmission

ON Semiconductor and the  are registered trademarks of Semiconductor Components Industries, LLC (SCILLC) or its subsidiaries in the United States and/or other countries. SCILLC owns the rights to a number of patents, trademarks, copyrights, trade secrets, and other intellectual property. A listing of SCILLC's product/patent coverage may be accessed at www.onsemi.com/site/pdf/Patent-Marking.pdf. SCILLC reserves the right to make changes without further notice to any products herein. SCILLC makes no warranty, representation or guarantee regarding the suitability of its products for any particular purpose, nor does SCILLC assume any liability arising out of the application or use of any product or circuit, and specifically disclaims any and all liability, including without limitation special, consequential or incidental damages. "Typical" parameters which may be provided in SCILLC data sheets and/or specifications can and do vary in different applications and actual performance may vary over time. All operating parameters, including "Typicals" must be validated for each customer application by customer's technical experts. SCILLC does not convey any license under its patent rights nor the rights of others. SCILLC products are not designed, intended, or authorized for use as components in systems intended for surgical implant into the body, or other applications intended to support or sustain life, or for any other application in which the failure of the SCILLC product could create a situation where personal injury or death may occur. Should Buyer purchase or use SCILLC products for any such unintended or unauthorized application, Buyer shall indemnify and hold SCILLC and its officers, employees, subsidiaries, affiliates, and distributors harmless against all claims, costs, damages, and expenses, and reasonable attorney fees arising out of, directly or indirectly, any claim of personal injury or death associated with such unintended or unauthorized use, even if such claim alleges that SCILLC was negligent regarding the design or manufacture of the part. SCILLC is an Equal Opportunity/Affirmative Action Employer. This literature is subject to all applicable copyright laws and is not for resale in any manner.

PUBLICATION ORDERING INFORMATION

LITERATURE FULFILLMENT:
 Literature Distribution Center for ON Semiconductor
 P.O. Box 5163, Denver, Colorado 80217 USA
Phone: 303-675-2175 or 800-344-3860 Toll Free USA/Canada
Fax: 303-675-2176 or 800-344-3867 Toll Free USA/Canada
Email: orderlit@onsemi.com

N. American Technical Support: 800-282-9855 Toll Free
 USA/Canada
Europe, Middle East and Africa Technical Support:
 Phone: 421 33 790 2910
Japan Customer Focus Center
 Phone: 81-3-5817-1050

ON Semiconductor Website: www.onsemi.com
Order Literature: <http://www.onsemi.com/orderlit>
 For additional information, please contact your local
 Sales Representative

Компания «Life Electronics» занимается поставками электронных компонентов импортного и отечественного производства от производителей и со складов крупных дистрибьюторов Европы, Америки и Азии.

С конца 2013 года компания активно расширяет линейку поставок компонентов по направлению коаксиальный кабель, кварцевые генераторы и конденсаторы (керамические, пленочные, электролитические), за счёт заключения дистрибьюторских договоров

Мы предлагаем:

- Конкурентоспособные цены и скидки постоянным клиентам.
- Специальные условия для постоянных клиентов.
- Подбор аналогов.
- Поставку компонентов в любых объемах, удовлетворяющих вашим потребностям.
- Приемлемые сроки поставки, возможна ускоренная поставка.
- Доставку товара в любую точку России и стран СНГ.
- Комплексную поставку.
- Работу по проектам и поставку образцов.
- Формирование склада под заказчика.
- Сертификаты соответствия на поставляемую продукцию (по желанию клиента).
- Тестирование поставляемой продукции.
- Поставку компонентов, требующих военную и космическую приемку.
- Входной контроль качества.
- Наличие сертификата ISO.

В составе нашей компании организован Конструкторский отдел, призванный помогать разработчикам, и инженерам.

Конструкторский отдел помогает осуществить:

- Регистрацию проекта у производителя компонентов.
- Техническую поддержку проекта.
- Защиту от снятия компонента с производства.
- Оценку стоимости проекта по компонентам.
- Изготовление тестовой платы монтаж и пусконаладочные работы.



Тел: +7 (812) 336 43 04 (многоканальный)

Email: org@lifeelectronics.ru