

Three Phase Bridge (Power Modules), 25/35 A


D-63
FEATURES

- Universal, 3 way terminals: push-on, wrap around or solder
- High thermal conductivity package, electrically insulated case
- Center hole fixing
- Excellent power/volume ratio
- UL E300359 approved
- Gold plated terminals solderable using lead (Pb)-free solder; solder alloy Sn/Ag/Cu (SAC305); solder temperature 260 to 275 °C
- RoHS compliant
- Designed and qualified for industrial and consumer level


**RoHS
COMPLIANT**
PRODUCT SUMMARY

| | |
|-------|---------|
| I_o | 25/35 A |
|-------|---------|

DESCRIPTION

A range of extremely compact, encapsulated three phase bridge rectifiers offering efficient and reliable operation. They are intended for use in general purpose and instrumentation applications.

MAJOR RATINGS AND CHARACTERISTICS

| SYMBOL | CHARACTERISTICS | 26MT | 36MT | UNITS |
|-----------|-----------------|-------------|------|------------------|
| I_o | | 25 | 35 | A |
| | T_c | 70 | 60 | °C |
| I_{FSM} | 50 Hz | 360 | 475 | A |
| | 60 Hz | 375 | 500 | |
| I^2t | 50 Hz | 635 | 1130 | A ² s |
| | 60 Hz | 580 | 1030 | |
| V_{RRM} | | 100 to 1600 | | V |
| T_J | | - 55 to 150 | | °C |

ELECTRICAL SPECIFICATIONS
VOLTAGE RATINGS

| TYPE NUMBER | VOLTAGE CODE | V_{RRM} , MAXIMUM REPETITIVE PEAK REVERSE VOLTAGE V | V_{RSM} , MAXIMUM NON-REPETITIVE PEAK REVERSE VOLTAGE V | I_{RRM} MAXIMUM AT T_J MAXIMUM mA |
|---------------|--------------|--|--|--|
| 26MT../36MT.. | 10 | 100 | 150 | 2 |
| | 20 | 200 | 275 | |
| | 40 | 400 | 500 | |
| | 60 | 600 | 725 | |
| | 80 | 800 | 900 | |
| | 100 | 1000 | 1100 | |
| | 120 | 1200 | 1300 | |
| | 140 | 1400 | 1500 | |
| | 160 | 1600 | 1700 | |

| FORWARD CONDUCTION | | | | | | | |
|--|---------------|--|---------------------------|--------------------------------|--------|-------------------|------------------|
| PARAMETER | SYMBOL | TEST CONDITIONS | | VALUES | | UNITS | |
| | | | | 26MT | 36MT | | |
| Maximum DC output current at T_C | I_O | 120° rect. conduction angle | | 25 | 35 | A | |
| | | | | 70 | 60 | °C | |
| Maximum peak, one-cycle non-repetitive forward current | I_{FSM} | t = 10 ms | No voltage reapplied | Initial $T_J = T_J$ maximum | 360 | 475 | A |
| | | t = 8.3 ms | | | 375 | 500 | |
| | | t = 10 ms | 100 % V_{RRM} reapplied | | 300 | 400 | |
| | | t = 8.3 ms | | | 314 | 420 | |
| Maximum I^2t for fusing | I^2t | t = 10 ms | No voltage reapplied | | 635 | 1130 | A ² s |
| | | t = 8.3 ms | | | 580 | 1030 | |
| | | t = 10 ms | 100 % V_{RRM} reapplied | | 450 | 800 | |
| | | t = 8.3 ms | | | 410 | 730 | |
| Maximum $I^2\sqrt{t}$ for fusing | $I^2\sqrt{t}$ | I^2t for time $t_x = I^2\sqrt{t} \times \sqrt{t_x}$; $0.1 \leq t_x \leq 10$ ms, $V_{RRM} = 0$ V | | 6360 | 11 300 | A ² √s | |
| Low level of threshold voltage | $V_{F(TO)1}$ | $(16.7\% \times \pi \times I_{F(AV)} < I < \pi \times I_{F(AV)})$, T_J maximum | | 0.88 | 0.86 | V | |
| High level of threshold voltage | $V_{F(TO)2}$ | $(I > \pi \times I_{F(AV)})$, T_J maximum | | 1.13 | 1.03 | | |
| Low level forward slope resistance | r_{t1} | $(16.7\% \times \pi \times I_{F(AV)} < I < \pi \times I_{F(AV)})$, T_J maximum | | 7.9 | 6.3 | mΩ | |
| High level forward slope resistance | r_{t2} | $(I > \pi \times I_{F(AV)})$, T_J maximum | | 5.2 | 5.0 | | |
| Maximum forward voltage drop | V_{FM} | $T_J = 25$ °C, $I_{FM} = 40$ Apk - per single junction | | 1.26 | 1.19 | V | |
| Maximum DC reverse current | I_{RRM} | $T_J = 25$ °C, per junction at rated V_{RRM} | | 100 | | μA | |
| RMS isolation voltage | V_{INS} | $T_J = 25$ °C, all terminal shorted; f = 50 Hz, t = 1 s | | 2700 | | V | |

| THERMAL - MECHANICAL SPECIFICATIONS | | | | | | |
|--|----------------|---|--|-------------|------|-------|
| PARAMETER | SYMBOL | TEST CONDITIONS | | VALUES | | UNITS |
| | | | | 26MT | 36MT | |
| Maximum junction and storage temperature range | T_J, T_{Stg} | | | - 55 to 150 | | °C |
| Maximum thermal resistance, junction to case | R_{thJC} | DC operation per bridge (based on total power loss of bridge) | | 1.42 | 1.35 | K/W |
| Maximum thermal resistance, case to heatsink | R_{thCS} | Mounting surface, smooth, flat and greased | | 0.2 | 0.2 | |
| Approximate weight | | | | 20 | | g |
| Mounting torque ± 10 % | | Bridge to heatsink with screw M4 | | 2.0 | | Nm |



Three Phase Bridge
(Power Modules), 25/35 A

Vishay High Power Products



Fig. 1 - Current Ratings Characteristics



Fig. 2 - Forward Voltage Drop Characteristics



Fig. 3 - Total Power Loss Characteristics



Fig. 4 - Maximum Non-Repetitive Surge Current

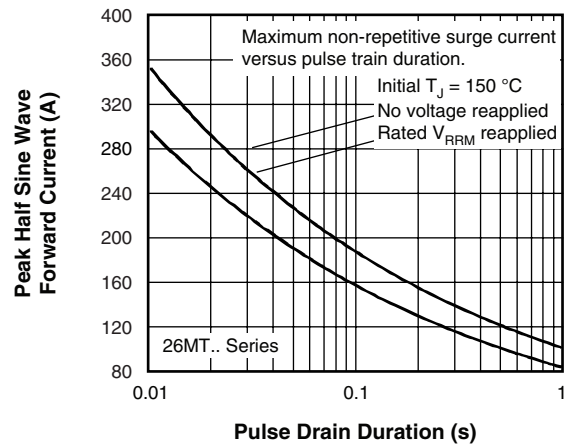


Fig. 5 - Maximum Non-Repetitive Surge Current

26MT../36MT.. Series



Vishay High Power Products Three Phase Bridge
(Power Modules), 25/35 A



Fig. 6 - Current Ratings Characteristics



Fig. 7 - Forward Voltage Drop Characteristics

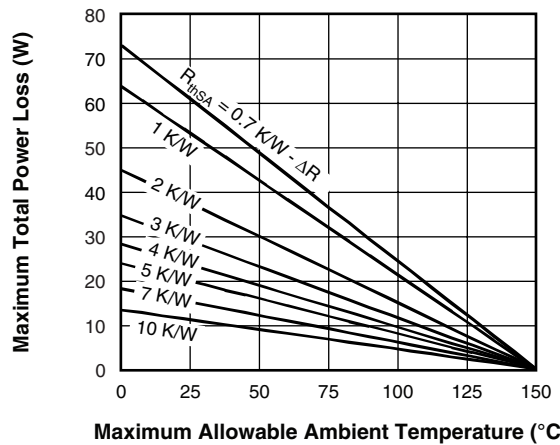


Fig. 8 - Total Power Loss Characteristics



Fig. 9 - Maximum Non-Repetitive Surge Current



Fig. 10 - Maximum Non-Repetitive Surge Current



Fig. 11 - Thermal Impedance Z_{thJC} Characteristics



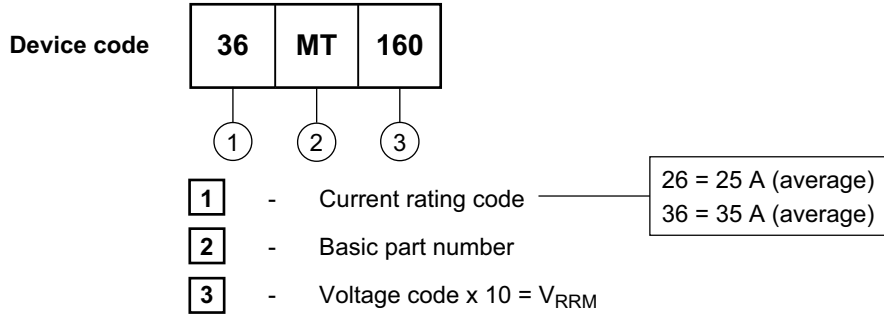
Fig. 12 - Thermal Impedance Z_{thJC} Characteristics

26MT../36MT.. Series

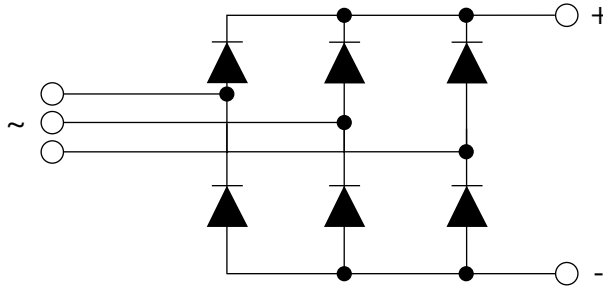


Vishay High Power Products Three Phase Bridge
(Power Modules), 25/35 A

ORDERING INFORMATION TABLE



CIRCUIT CONFIGURATION



| LINKS TO RELATED DOCUMENTS | |
|----------------------------|---|
| Dimensions | http://www.vishay.com/doc?95251 |

D-63

DIMENSIONS in millimeters (inches)



Suggested plugging force:
400 N maximum;
axially applied to fast on terminals

Not to scale



Disclaimer

ALL PRODUCT, PRODUCT SPECIFICATIONS AND DATA ARE SUBJECT TO CHANGE WITHOUT NOTICE TO IMPROVE RELIABILITY, FUNCTION OR DESIGN OR OTHERWISE.

Vishay Intertechnology, Inc., its affiliates, agents, and employees, and all persons acting on its or their behalf (collectively, "Vishay"), disclaim any and all liability for any errors, inaccuracies or incompleteness contained in any datasheet or in any other disclosure relating to any product.

Vishay makes no warranty, representation or guarantee regarding the suitability of the products for any particular purpose or the continuing production of any product. To the maximum extent permitted by applicable law, Vishay disclaims (i) any and all liability arising out of the application or use of any product, (ii) any and all liability, including without limitation special, consequential or incidental damages, and (iii) any and all implied warranties, including warranties of fitness for particular purpose, non-infringement and merchantability.

Statements regarding the suitability of products for certain types of applications are based on Vishay's knowledge of typical requirements that are often placed on Vishay products in generic applications. Such statements are not binding statements about the suitability of products for a particular application. It is the customer's responsibility to validate that a particular product with the properties described in the product specification is suitable for use in a particular application. Parameters provided in datasheets and/or specifications may vary in different applications and performance may vary over time. All operating parameters, including typical parameters, must be validated for each customer application by the customer's technical experts. Product specifications do not expand or otherwise modify Vishay's terms and conditions of purchase, including but not limited to the warranty expressed therein.

Except as expressly indicated in writing, Vishay products are not designed for use in medical, life-saving, or life-sustaining applications or for any other application in which the failure of the Vishay product could result in personal injury or death. Customers using or selling Vishay products not expressly indicated for use in such applications do so at their own risk. Please contact authorized Vishay personnel to obtain written terms and conditions regarding products designed for such applications.

No license, express or implied, by estoppel or otherwise, to any intellectual property rights is granted by this document or by any conduct of Vishay. Product names and markings noted herein may be trademarks of their respective owners.

Material Category Policy

Vishay Intertechnology, Inc. hereby certifies that all its products that are identified as RoHS-Compliant fulfill the definitions and restrictions defined under Directive 2011/65/EU of The European Parliament and of the Council of June 8, 2011 on the restriction of the use of certain hazardous substances in electrical and electronic equipment (EEE) - recast, unless otherwise specified as non-compliant.

Please note that some Vishay documentation may still make reference to RoHS Directive 2002/95/EC. We confirm that all the products identified as being compliant to Directive 2002/95/EC conform to Directive 2011/65/EU.

Vishay Intertechnology, Inc. hereby certifies that all its products that are identified as Halogen-Free follow Halogen-Free requirements as per JEDEC JS709A standards. Please note that some Vishay documentation may still make reference to the IEC 61249-2-21 definition. We confirm that all the products identified as being compliant to IEC 61249-2-21 conform to JEDEC JS709A standards.

Компания «Life Electronics» занимается поставками электронных компонентов импортного и отечественного производства от производителей и со складов крупных дистрибьюторов Европы, Америки и Азии.

С конца 2013 года компания активно расширяет линейку поставок компонентов по направлению коаксиальный кабель, кварцевые генераторы и конденсаторы (керамические, пленочные, электролитические), за счёт заключения дистрибьюторских договоров

Мы предлагаем:

- Конкурентоспособные цены и скидки постоянным клиентам.
- Специальные условия для постоянных клиентов.
- Подбор аналогов.
- Поставку компонентов в любых объемах, удовлетворяющих вашим потребностям.
- Приемлемые сроки поставки, возможна ускоренная поставка.
- Доставку товара в любую точку России и стран СНГ.
- Комплексную поставку.
- Работу по проектам и поставку образцов.
- Формирование склада под заказчика.
- Сертификаты соответствия на поставляемую продукцию (по желанию клиента).
- Тестирование поставляемой продукции.
- Поставку компонентов, требующих военную и космическую приемку.
- Входной контроль качества.
- Наличие сертификата ISO.

В составе нашей компании организован Конструкторский отдел, призванный помогать разработчикам, и инженерам.

Конструкторский отдел помогает осуществить:

- Регистрацию проекта у производителя компонентов.
- Техническую поддержку проекта.
- Защиту от снятия компонента с производства.
- Оценку стоимости проекта по компонентам.
- Изготовление тестовой платы монтаж и пусконаладочные работы.



Тел: +7 (812) 336 43 04 (многоканальный)
Email: org@lifeelectronics.ru