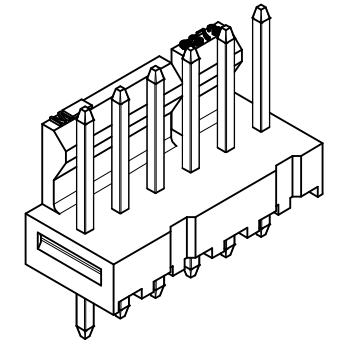
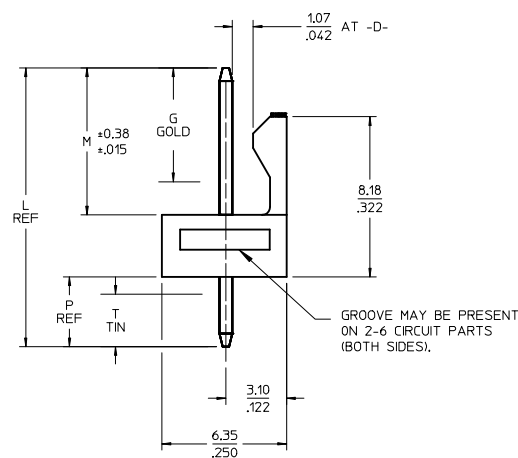
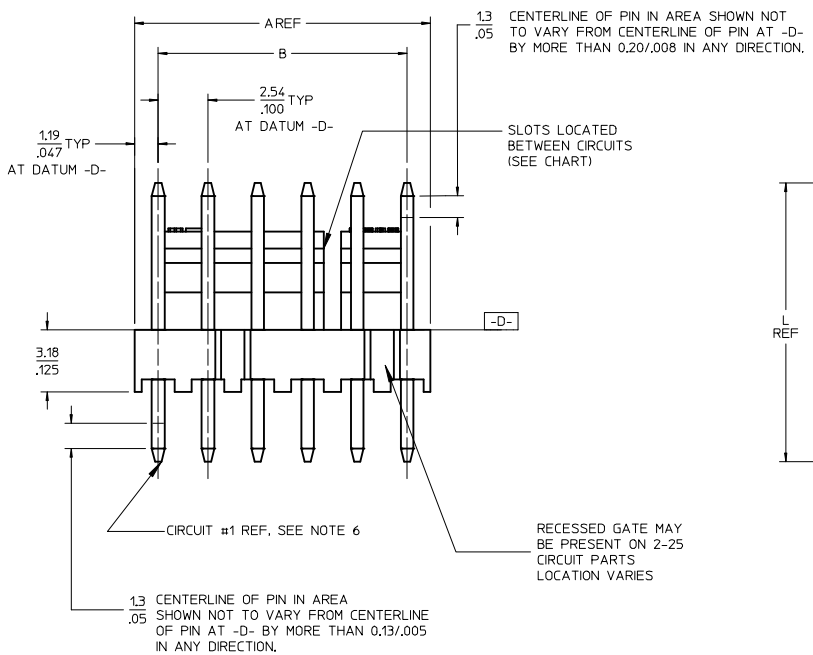


| CKT | A | B | SLOTS LOCATION |
|-----|----------------|------------------------------|----------------|
| 02 | 4.93 .194 | 2.54 ± 0.05 .100 ± .002 | NONE |
| 03 | 7.47 .294 | 5.08 ± 0.10 .200 ± .004 | NONE |
| 04 | 10.01 .394 | 7.62 ± 0.13 .300 ± .005 | NONE |
| 05 | 12.55 .494 | 10.16 ± 0.13 .400 ± .005 | NONE |
| 06 | 15.09 .594 | 12.70 ± 0.13 .500 ± .005 | 4, 5 |
| 07 | 17.63 .694 | 15.24 ± 0.13 .600 ± .005 | 4, 5 |
| 08 | 20.17 .794 | 17.78 ± 0.15 .700 ± .006 | 4, 5 |
| 09 | 22.71 .894 | 20.32 ± 0.15 .800 ± .006 | 4, 5 |
| 10 | 25.25 .994 | 22.86 ± 0.15 .900 ± .006 | 4, 5 |
| 11 | 27.79 1.094 | 25.40 ± 0.18 1.000 ± .007 | 4, 5 8, 9 |
| 12 | 30.33 1.194 | 27.94 ± 0.18 1.100 ± .007 | 4, 5 8, 9 |
| 13 | 32.87 1.294 | 30.48 ± 0.18 1.200 ± .007 | 4, 5 8, 9 |
| 14 | 35.41 1.394 | 33.02 ± 0.18 1.300 ± .007 | 4, 5 8, 9 |
| 15 | 37.95 1.494 | 35.56 ± 0.20 1.400 ± .008 | 4, 5 12, 13 |
| 16 | 40.49 1.594 | 38.10 ± 0.20 1.500 ± .008 | 4, 5 12, 13 |
| 17 | 43.03 1.694 | 40.64 ± 0.20 1.600 ± .008 | 4, 5 12, 13 |
| 18 | 45.57 1.794 | 43.18 ± 0.20 1.700 ± .008 | 4, 5 12, 13 |
| 19 | 48.11 1.894 | 45.72 ± 0.23 1.800 ± .009 | 4, 5 16, 17 |
| 20 | 50.65 1.994 | 48.26 ± 0.23 1.900 ± .009 | 4, 5 16, 17 |
| 21 | 53.19 2.094 | 50.80 ± 0.23 2.000 ± .009 | 4, 5 16, 17 |
| 22 | 55.73 2.194 | 53.34 ± 0.23 2.100 ± .009 | 4, 5 16, 17 |
| 23 | 58.27 2.294 | 55.88 ± 0.23 2.200 ± .009 | 4, 5 20, 21 |
| 24 | 60.81 2.394 | 58.42 ± 0.25 2.300 ± .010 | 4, 5 20, 21 |
| 25 | 63.35 2.494 | 60.96 ± 0.25 2.400 ± .010 | 4, 5 20, 21 |
| 26 | 65.89 2.594 | 63.50 ± 0.25 2.500 ± .010 | 4, 5 20, 21 |
| 27 | 68.43 2.694 | 66.04 ± 0.25 2.600 ± .010 | 4, 5 24, 25 |
| 28 | 70.97 2.794 | 68.58 ± 0.25 2.700 ± .010 | 4, 5 24, 25 |



- NOTES:
- MATERIAL: NYLON. UL 94V-0, COLOR - WHITE.
 - FINISH:
 - (197) = OVERALL REFLOWED MATTE TIN: 0.00152/.000060 MIN OVER 0.00127/.000050 MIN NICKEL.
 - (154) = OVERALL TIN: 0.00254/.000100 MIN OVER 0.00127/.000050 MIN NICKEL.
 - (222) = OVERALL MATTE TIN: 0.00254/.000100 MIN OVER 0.00127/.000050 MIN NICKEL.
 - (225) = SELECT GOLD: 0.00005/.000002 MIN, SELECT MATTE TIN: 0.00254/.000100, BOTH OVER 0.00127/.000050 MIN NICKEL.
 - (228) = SELECT GOLD: 0.00076/.000030 MIN, SELECT MATTE TIN: 0.00254/.000100, BOTH OVER 0.00127/.000050 MIN NICKEL.
 - (231) = SELECT GOLD: 0.00127/.000050 MIN, SELECT MATTE TIN: 0.00254/.000100, BOTH OVER 0.00127/.000050 MIN NICKEL.
 - (241) = SELECT GOLD: 0.00051/.000020 MIN, SELECT MATTE TIN: 0.00254/.000100, BOTH OVER 0.00127/.000050 MIN NICKEL.
 - PRODUCT SPECIFICATION AND PROCESS PARAMETERS: PS-10-07.
 - PACKAGING INFORMATION: SEE LEGEND.
 - PARTS ARE STACKABLE END TO END ON 2.54/.100 CENTERS.
 - CIRCUIT ONE DESIGNATION IS USED TO DEFINE VOID LOCATION. CIRCUIT ONE MAY OR MAY NOT LINE UP WITH CIRCUIT ONE ON THE MATING HOUSING.
 - PIN PUSHOUT FORCE: 2 LBS MIN.
 - FOR PIN DIMENSIONS, SEE APPLICABLE DRAWING.
 - THIS PART CONFORMS TO CLASS B REQUIREMENTS OF COSMETIC SPECIFICATION PS-45499-002.

A-6373-N * * * * *

NO OF CKTS: _____

OPTIONS: _____

SEE CHART

FINISH: _____

SEE CHART

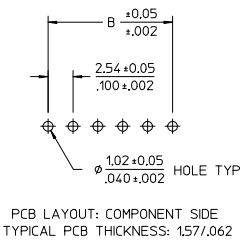
PACKAGING: _____

BLANK = BULK PACK

A = TUBE PACK

VOIDED CKT: _____

SEE CHART



| | |
|-----|-----|
| 2-* | BD2 |
| 1 | BD2 |
| SHT | REV |

ADD 4699-0607

EC NO: UCP2014-0523

DRW:MKIPPER 2013/08/02

CHKD:JBELL 2013/08/02

APPR:FSM:TH 2013/08/16

DESCRIPTION

REV

| |
|-----------------|
| QUALITY SYMBOLS |
| ▽=0 |
| ▽=0 |
| ▽=0 |

| | GENERAL TOLERANCES (UNLESS SPECIFIED) | |
|----------|---------------------------------------|--------|
| | mm | INCH |
| 4 PLACES | ± --- | ± --- |
| 3 PLACES | ± --- | ± .010 |
| 2 PLACES | ± 0.25 | ± .015 |
| 1 PLACE | ± 0.38 | ± --- |
| 0 PLACE | ± | ± |

ANGULAR ±1/2°

DRAFT WHERE APPLICABLE

MUST REMAIN WITHIN DIMENSIONS

| DIMENSION STYLE | | SCALE | DESIGN UNITS | THIRD ANGLE PROJECTION |
|-----------------|--------------|---|--------------|------------------------|
| MM/IN | | 4:1 | INCH | |
| DRAWN BY | DATE | TITLE | | |
| SAMIEC | 2004/03/31 | | | |
| CHECKED BY | DATE | | | |
| SAMIEC | 2004/03/31 | <p style="text-align: center;">molex</p> | | |
| APPROVED BY | DATE | | | |
| FSMITH | 2010/12/03 | <p style="text-align: center;">SEE CHART</p> | | |
| MATERIAL NO. | DOCUMENT NO. | SHEET NO. | | |
| | | 1 OF * | | |

KK 100 HEADER ASSEMBLY

FRICTION LOCK SOLID BODY

SD-6373-001

THIS DRAWING CONTAINS INFORMATION THAT IS PROPRIETARY TO MOLEX INCORPORATED AND SHOULD NOT BE USED WITHOUT WRITTEN PERMISSION

| GROUP: | A-6373-NA222-* | | | | | | | | | | | | | |
|---------------|---------------------------|---------------|-----|-----------------|------------------|------------------|-----|-----------------|------------------|-------------------|-----|-----------------|------------------|------------------------|
| PIN NUMBER: | 42663-0306 OR 2766-1(222) | | | | | | | | | | | | | |
| PIN LENGTH: L | .560 / (14.22) | | | | | | | | | | | | | |
| MATING: M | .295 / (7.49) | | | DIM. G | N/A | | | | | | | | | |
| PC TAIL: P | .140 / (3.56) | | | DIM T | OVERALL | | | | | | | | | |
| PACKAGING: | PK-6373-001 BULK | | | | | | | | | | | | | |
| CKT | MATERIAL NUMBER | ENG NUMBER | CKT | MATERIAL NUMBER | ENG NUMBER | VOID CKT | CKT | MATERIAL NUMBER | ENG NUMBER | VOID CKT | CKT | MATERIAL NUMBER | ENG NUMBER | VOID CKT |
| 2 | 22-23-2021 | A-6373-02A222 | 9 | 22-04-5094 | A-6373-09A222-4 | 4 | 11 | 22-04-5117 | A-6373-11A222-7 | 7 | 07 | 22-04-5076 | A-6373-07A222-2 | 2 |
| 3 | 22-23-2031 | A-6373-03A222 | 9 | 22-04-5096 | A-6373-09A222-6 | 6 | 06 | 22-04-5063 | A-6373-06A222-3 | 3 | 07 | 22-04-5077 | A-6373-07A222-6 | 6 |
| 4 | 22-23-2041 | A-6373-04A222 | 11 | 22-04-5114 | A-6373-11A222-4 | 4 | 10 | 22-04-5101 | A-6373-10A222-1 | 1 | 06 | 22-04-5069 | A-6373-06A222-54 | 4, 5 |
| 5 | 22-23-2051 | A-6373-05A222 | 11 | 22-04-5118 | A-6373-11A222-8 | 8 | 10 | 22-04-5102 | A-6373-10A222-2 | 2 | 25 | 22-04-5252 | A-6373-25A222-2 | 2 |
| 6 | 22-23-2061 | A-6373-06A222 | 08 | 22-04-5083 | A-6373-08A222-3 | 3 | 10 | 22-04-5103 | A-6373-10A222-3 | 3 | 08 | 22-04-5086 | A-6373-08A222-6 | 6 |
| 7 | 22-23-2071 | A-6373-07A222 | 08 | 22-04-5082 | A-6373-08A222-2 | 2 | 15 | 22-04-5154 | A-6373-15A222-14 | 14 | 08 | 22-04-5087 | A-6373-08A222-52 | 2,3,5,6,7 |
| 8 | 22-23-2081 | A-6373-08A222 | 10 | 22-04-5106 | A-6373-10A222-6 | 6 | 05 | 22-04-5052 | A-6373-05A222-2 | 2 | 10 | 22-04-5105 | A-6373-10A222-5 | 5 |
| 9 | 22-23-2091 | A-6373-09A222 | 04 | 22-04-5043 | A-6373-04A222-3 | 3 | 08 | 22-04-5084 | A-6373-08A222-4 | 4 | 05 | 22-04-5057 | A-6373-05A222-52 | 2, 4 |
| 10 | 22-23-2101 | A-6373-10A222 | 08 | 22-04-5081 | A-6373-08A222-51 | 2,4,6 | 06 | 22-04-5064 | A-6373-06A222-4 | 4 | 19 | 22-04-5198 | A-6373-19A222-8 | 8 |
| 11 | 22-23-2111 | A-6373-11A222 | 09 | 22-04-5093 | A-6373-09A222-3 | 3 | 03 | 22-04-5031 | A-6373-03A222-1 | 1 | 11 | 22-04-5119 | A-6373-11A222-51 | 2,4,6,8,10 |
| 12 | 22-23-2121 | A-6373-12A222 | 08 | 22-04-5085 | A-6373-08A222-5 | 5 | 05 | 22-04-5053 | A-6373-05A222-3 | 3 | 12 | 22-04-5129 | A-6373-12A222-11 | 11 |
| 13 | 22-23-2131 | A-6373-13A222 | 06 | 22-04-5065 | A-6373-06A222-5 | 5 | 11 | 22-04-5116 | A-6373-11A222-6 | 6 | 08 | 22-04-5088 | A-6373-08A222-53 | 4, 6 |
| 14 | 22-23-2141 | A-6373-14A222 | 07 | 22-04-5072 | A-6373-07A222-52 | 2,4,6 | 07 | 22-04-5074 | A-6373-07A222-4 | 4 | 04 | 22-04-5044 | A-6373-04A222-4 | 4 |
| 15 | 22-23-2151 | A-6373-15A222 | 06 | 22-04-5062 | A-6373-06A222-2 | 2 | 10 | 22-04-5079 | A-6373-10A222-52 | 2,3,5,6,8,9 | 27 | 22-04-5277 | A-6373-27A222-51 | 3,7,9,11,14,16, 21, 23 |
| 16 | 22-23-2161 | A-6373-16A222 | 07 | 22-04-5071 | A-6373-07A222-51 | 2,3,5,6 | 04 | 22-04-5049 | A-6373-04A222-51 | 2,3 | | | | |
| 17 | 22-23-2171 | A-6373-17A222 | 10 | 22-04-5100 | A-6373-10A222-10 | 10 | 04 | 22-04-5048 | A-6373-04A222-52 | 2,4 | 11 | 22-04-5115 | A-6373-11A222-52 | 5, 6 |
| 18 | 22-23-2181 | A-6373-18A222 | 10 | 22-04-5109 | A-6373-10A222-9 | 9 | 04 | 22-04-5041 | A-6373-04A222-1 | 1 | 24 | 22-23-3245 | A-6373-24A222-23 | 23 |
| 19 | 22-23-2191 | A-6373-19A222 | 10 | 22-04-5108 | A-6373-10A222-8 | 8 | 03 | 22-04-5032 | A-6373-03A222-2 | 2 | 11 | 22-23-3115 | A-6373-11A222-10 | 10 |
| 20 | 22-23-2201 | A-6373-20A222 | 05 | 22-04-5054 | A-6373-05A222-4 | 4 | 13 | 22-04-5139 | A-6373-13A222-9 | 9 | 15 | 22-23-3155 | A-6373-15A222-15 | 15 |
| 21 | 22-23-2211 | A-6373-21A222 | 03 | 22-04-5033 | A-6373-03A222-3 | 3 | 12 | 22-04-5126 | A-6373-12A222-6 | 6 | 08 | 22-04-5089 | A-6373-08A222-54 | 2, 5 |
| 22 | 22-23-2221 | A-6373-22A222 | 07 | 22-04-5075 | A-6373-07A222-5 | 5 | 13 | 22-04-5131 | A-6373-13A222-51 | 2,3,5,6,8,9,11,12 | 06 | 22-23-2069 | A-6373-06A222-55 | 2,3,4,5 |
| 23 | 22-23-2231 | A-6373-23A222 | 07 | 22-04-5073 | A-6373-07A222-3 | 3 | 06 | 22-04-5066 | A-6373-06A222-52 | 3,5 | 07 | 22-23-2079 | A-6373-07A222-53 | 2,3,4,5,6 |
| 24 | 22-23-2241 | A-6373-24A222 | 14 | 22-04-5149 | A-6373-14A222-9 | 9 | 05 | 22-04-5056 | A-6373-05A222-51 | 1,3,5 | 13 | 22-23-1137 | A-6373-13A222-53 | 3,6,10,12 |
| 25 | 22-23-2251 | A-6373-25A222 | 15 | 22-04-5152 | A-6373-15A222-2 | 2 | 06 | 22-04-5067 | A-6373-06A222-53 | 1, 5 | 10 | 22-23-1107 | A-6373-10A222-53 | 4,7 |
| 26 | 22-23-2261 | A-6373-26A222 | 11 | 50-29-1594 | A-6373-11A222-53 | 2,3,4,5,7,8,9,10 | 06 | 22-04-5068 | A-6373-06A222-6 | 6 | 18 | 22-23-1187 | A-6373-18A222-5 | 5 |
| 27 | 22-23-2271 | A-6373-27A222 | | | | | 02 | 22-04-5021 | A-6373-02A222-1 | 1 | 18 | 22-23-1188 | A-6373-18A222-7 | 7 |
| 28 | 22-23-2281 | A-6373-28A222 | 13 | 22-04-5132 | A-6373-13A222-52 | 8, 9 | 04 | 22-04-5042 | A-6373-04A222-2 | 2 | 12 | 50-29-0096 | A-6373-12A222-8 | 8 |

| | | | |
|-------------------------|------------------------------|--|---------------------|
| REV: | <u>ECR/ECN INFORMATION:</u> | <u>TITLE:</u> | <u>SHEET No.</u> |
| BD2 | EC No.: UCP2014-0523 | KK 100 HEADER ASSEMBLY FRICTION LOCK SOLID BODY | - 2 - |
| | DATE: 8/19/2013 | | |
| <u>DOCUMENT NUMBER:</u> | <u>CREATED / REVISED BY:</u> | <u>CHECKED BY:</u> | <u>APPROVED BY:</u> |
| SD - 6373 - 001 | MKIPPER | JBELL | FSMITH |

| GROUP: | | A-6373-NC197-* | | | | |
|---------------|-----------------|------------------|--------|-----------------|------------|----------|
| PIN NUMBER: | | 42663-0242 | | | | |
| PIN LENGTH: L | | .530 / (13.46) | | | | |
| MATING: M | | .260 / (6.60) | DIM. G | | N/A | |
| PC TAIL: P | | .145 / (3.68) | DIM T | | OVERALL | |
| PACKAGING: | | PK-6373-001 BULK | | | | |
| CKTS | MATERIAL NUMBER | ENG NUMBER | CKTS | MATERIAL NUMBER | ENG NUMBER | VOID CKT |
| 2 | 22-23-2023 | A-6373-02C197 | | | | |
| 3 | 22-23-2033 | A-6373-03C197 | | | | |
| 4 | 22-23-2043 | A-6373-04C197 | | | | |
| 5 | 22-23-2053 | A-6373-05C197 | | | | |
| 6 | 22-23-2063 | A-6373-06C197 | | | | |
| 7 | 22-23-2073 | A-6373-07C197 | | | | |
| 8 | 22-23-2083 | A-6373-08C197 | | | | |
| 9 | 22-23-2093 | A-6373-09C197 | | | | |
| 10 | 22-23-2103 | A-6373-10C197 | | | | |
| 11 | 22-23-2113 | A-6373-11C197 | | | | |
| 12 | 22-23-2123 | A-6373-12C197 | | | | |
| 13 | 22-23-2133 | A-6373-13C197 | | | | |
| 14 | 22-23-2143 | A-6373-14C197 | | | | |
| 15 | 22-23-2153 | A-6373-15C197 | | | | |
| 16 | 22-23-2163 | A-6373-16C197 | | | | |
| 17 | 22-23-2173 | A-6373-17C197 | | | | |
| 18 | 22-23-2183 | A-6373-18C197 | | | | |
| 19 | 22-23-2193 | A-6373-19C197 | | | | |
| 20 | 22-23-2203 | A-6373-20C197 | | | | |
| 21 | 22-23-2213 | A-6373-21C197 | | | | |
| 22 | 22-23-2223 | A-6373-22C197 | | | | |
| 23 | 22-23-2233 | A-6373-23C197 | | | | |
| 24 | 22-23-2243 | A-6373-24C197 | | | | |
| 25 | 22-23-2253 | A-6373-25C197 | | | | |
| 26 | 22-23-2263 | A-6373-26C197 | | | | |
| 27 | 22-23-2273 | A-6373-27C197 | | | | |
| 28 | 22-23-2283 | A-6373-28C197 | | | | |

| GROUP: | | A-6373-NV228-* | | | | |
|---------------|-----------------|----------------|--------|-----------------|---------------|----------|
| PIN NUMBER: | | 42663-0243 | | | | |
| PIN LENGTH: L | | .530 / (13.46) | | | | |
| MATING: M | | .295 / (7.49) | DIM. G | | .140 / (3.56) | |
| PC TAIL: P | | .110 / (2.79) | DIM T | | .135 / (3.43) | |
| PACKAGING: | | PK-6373-001 | | | | |
| CKTS | MATERIAL NUMBER | ENG NUMBER | CKTS | MATERIAL NUMBER | ENG NUMBER | VOID CKT |
| 2 | 22-15-3029 | A-6373-02V228 | | | | |
| 3 | 22-15-3039 | A-6373-03V228 | | | | |
| 4 | 22-15-3049 | A-6373-04V228 | | | | |
| 5 | 22-15-3059 | A-6373-05V228 | | | | |
| 6 | 22-15-3069 | A-6373-06V228 | | | | |
| 7 | 22-15-3079 | A-6373-07V228 | | | | |
| 8 | 22-15-3089 | A-6373-08V228 | | | | |
| 9 | 22-15-3099 | A-6373-09V228 | | | | |
| 10 | 22-15-3109 | A-6373-10V228 | | | | |
| 11 | 22-15-3119 | A-6373-11V228 | | | | |
| 12 | 22-15-3129 | A-6373-12V228 | | | | |
| 13 | 22-15-3139 | A-6373-13V228 | | | | |
| 14 | 22-15-3149 | A-6373-14V228 | | | | |
| 15 | 22-15-3159 | A-6373-15V228 | | | | |
| 16 | 22-15-3169 | A-6373-16V228 | | | | |
| 17 | 22-15-3179 | A-6373-17V228 | | | | |
| 18 | 22-15-3189 | A-6373-18V228 | | | | |
| 19 | 22-15-3199 | A-6373-19V228 | | | | |
| 20 | 22-15-3209 | A-6373-20V228 | | | | |
| 21 | 22-15-3219 | A-6373-21V228 | | | | |
| 22 | 22-15-3229 | A-6373-22V228 | | | | |
| 23 | 22-15-3239 | A-6373-23V228 | | | | |
| 24 | 22-15-3249 | A-6373-24V228 | | | | |
| 25 | 22-15-3259 | A-6373-25V228 | | | | |
| 26 | 22-15-3269 | A-6373-26V228 | | | | |
| 27 | 22-15-3279 | A-6373-27V228 | | | | |
| 28 | 22-15-3289 | A-6373-28V228 | | | | |

| | | | | |
|---|-----------------------------|--|---|--------------------------------------|
| REV: BD2 | <u>ECR/ECN INFORMATION:</u> | | <u>TITLE:</u> KK 100 HEADER ASSEMBLY FRICTION LOCK SOLID BODY | <u>SHEET No.</u> - 3 - |
| | EC No.: UCP2014-0523 | | | |
| | DATE: 8/19/2013 | | | |
| <u>DOCUMENT NUMBER:</u> SD - 6373 - 001 | | <u>CREATED / REVISED BY:</u> MKIPPER | <u>CHECKED BY:</u> JBELL | <u>APPROVED BY:</u> FSMITH |

| GROUP: | | A-6373-NE197-* | | | | |
|---------------|-----------------|----------------|--------|-----------------|------------|----------|
| PIN NUMBER: | | 42663-0682 | | | | |
| PIN LENGTH: L | | .750 / (19.05) | | | | |
| MATING: M | | .260 / (6.60) | DIM. G | | N/A | |
| PC TAIL: P | | .365 / (9.27) | DIM T | | OVERALL | |
| PACKAGING: | | PK-6373-001 | | | | |
| CKTS | MATERIAL NUMBER | ENG NUMBER | CKTS | MATERIAL NUMBER | ENG NUMBER | VOID CKT |
| 2 | 22-23-2025 | A-6373-02E197 | | | | |
| 3 | | A-6373-03E197 | | | | |
| 4 | | A-6373-04E197 | | | | |
| 5 | 22-23-2055 | A-6373-05E197 | | | | |
| 6 | 22-23-2065 | A-6373-06E197 | | | | |
| 7 | | A-6373-07E197 | | | | |
| 8 | | A-6373-08E197 | | | | |
| 9 | | A-6373-09E197 | | | | |
| 10 | 22-23-2105 | A-6373-10E197 | | | | |
| 11 | | A-6373-11E197 | | | | |
| 12 | | A-6373-12E197 | | | | |
| 13 | | A-6373-13E197 | | | | |
| 14 | | A-6373-14E197 | | | | |
| 15 | 22-23-2155 | A-6373-15E197 | | | | |
| 16 | | A-6373-16E197 | | | | |
| 17 | | A-6373-17E197 | | | | |
| 18 | | A-6373-18E197 | | | | |
| 19 | | A-6373-19E197 | | | | |
| 20 | | A-6373-20E197 | | | | |
| 21 | | A-6373-21E197 | | | | |
| 22 | | A-6373-22E197 | | | | |
| 23 | | A-6373-23E197 | | | | |
| 24 | | A-6373-24E197 | | | | |
| 25 | | A-6373-25E197 | | | | |
| 26 | | A-6373-26E197 | | | | |
| 27 | | A-6373-27E197 | | | | |
| 28 | | A-6373-28E197 | | | | |

| GROUP: | | A-6373-NY241-* | | | | |
|---------------|-----------------|------------------|--------|-----------------|---------------|----------|
| PIN NUMBER: | | 42663-0443 | | | | |
| PIN LENGTH: L | | .630 / (16.00) | | | | |
| MATING: M | | .318 / (8.08) | DIM. G | | .140 / (3.56) | |
| PC TAIL: P | | .187 / (4.75) | DIM T | | .135 / (3.43) | |
| PACKAGING: | | PK-6373-001 BULK | | | | |
| CKTS | MATERIAL NUMBER | ENG NUMBER | CKTS | MATERIAL NUMBER | ENG NUMBER | VOID CKT |
| 2 | 22-11-2026 | A-6373-02Y241 | | | | |
| 3 | 22-11-2036 | A-6373-03Y241 | | | | |
| 4 | 22-11-2046 | A-6373-04Y241 | | | | |
| 5 | 22-11-2056 | A-6373-05Y241 | | | | |
| 6 | 22-11-2066 | A-6373-06Y241 | | | | |
| 7 | 22-11-2076 | A-6373-07Y241 | | | | |
| 8 | 22-11-2086 | A-6373-08Y241 | | | | |
| 9 | 22-11-2096 | A-6373-09Y241 | | | | |
| 10 | 22-11-2106 | A-6373-10Y241 | | | | |
| 11 | 22-11-2116 | A-6373-11Y241 | | | | |
| 12 | 22-11-2126 | A-6373-12Y241 | | | | |
| 13 | 22-11-2136 | A-6373-13Y241 | | | | |
| 14 | 22-11-2146 | A-6373-14Y241 | | | | |
| 15 | 22-11-2156 | A-6373-15Y241 | | | | |
| 16 | 22-11-2166 | A-6373-16Y241 | | | | |
| 17 | 22-11-2176 | A-6373-17Y241 | | | | |
| 18 | 22-11-2186 | A-6373-18Y241 | | | | |
| 19 | 22-11-2196 | A-6373-19Y241 | | | | |
| 20 | 22-11-2206 | A-6373-20Y241 | | | | |
| 21 | 22-11-2216 | A-6373-21Y241 | | | | |
| 22 | 22-11-2226 | A-6373-22Y241 | | | | |
| 23 | 22-11-2236 | A-6373-23Y241 | | | | |
| 24 | 22-11-2246 | A-6373-24Y241 | | | | |
| 25 | 22-11-2256 | A-6373-25Y241 | | | | |
| 26 | 22-11-2266 | A-6373-26Y241 | | | | |
| 27 | 22-11-2276 | A-6373-27Y241 | | | | |
| 28 | 22-11-2286 | A-6373-28Y241 | | | | |

| | | | |
|--|---|--|-----------------------------|
| REV: BD2 | ECR/ECN INFORMATION: EC No.: UCP2014-0523 DATE: 8/19/2013 | TITLE: KK 100 HEADER ASSEMBLY FRICTION LOCK SOLID BODY | SHEET No. - 4 - |
| DOCUMENT NUMBER: SD - 6373 - 001 | | CREATED / REVISED BY: MKIPPER | CHECKED BY: JBELL |
| | | APPROVED BY: FSMITH | |

| GROUP: | | A-6373-NA241-* | | | | |
|---------------|-----------------|------------------|--------|-----------------|------------------|----------|
| PIN NUMBER: | | 42663-0305 | | | | |
| PIN LENGTH: L | | .560 / (14.22) | | | | |
| MATING: M | | .295 / (7.49) | DIM. G | | .140 / (3.56) | |
| PC TAIL: P | | .140 / (3.56) | DIM T | | .135 / (3.43) | |
| PACKAGING: | | PK-6373-001 BULK | | | | |
| CKTS | MATERIAL NUMBER | ENG NUMBER | CKTS | MATERIAL NUMBER | ENG NUMBER | VOID CKT |
| 2 | 22-11-2022 | A-6373-02A241 | 04 | 22-04-6044 | A-6373-04A241-2 | 2 |
| 3 | 22-11-2032 | A-6373-03A241 | 04 | 22-11-2043 | A-6373-04A241-3 | 3 |
| 4 | 22-11-2042 | A-6373-04A241 | 03 | 22-11-2037 | A-6373-03A241-2 | 2 |
| 5 | 22-11-2052 | A-6373-05A241 | 24 | 22-11-2247 | A-6373-24A241-5 | 5 |
| 6 | 22-11-2062 | A-6373-06A241 | 24 | 22-11-2248 | A-6373-24A241-17 | 17 |
| 7 | 22-11-2072 | A-6373-07A241 | 08 | 22-11-2087 | A-6373-08A241-5 | 5 |
| 8 | 22-11-2082 | A-6373-08A241 | 06 | 22-04-6064 | A-6373-06A241-5 | 5 |
| 9 | 22-11-2092 | A-6373-09A241 | 06 | 22-04-6065 | A-6373-06A241-4 | 4 |
| 10 | 22-11-2102 | A-6373-10A241 | 07 | 22-04-6074 | A-6373-07A241-1 | 1 |
| 11 | 22-11-2112 | A-6373-11A241 | 12 | 22-04-6124 | A-6373-12A241-11 | 11 |
| 12 | 22-11-2122 | A-6373-12A241 | 20 | 22-04-6204 | A-6373-20A241-19 | 19 |
| 13 | 22-11-2132 | A-6373-13A241 | 10 | 22-04-6104 | A-6373-10A241-2 | 2 |
| 14 | 22-11-2142 | A-6373-14A241 | 08 | 22-04-6084 | A-6373-08A241-6 | 6 |
| 15 | 22-11-2152 | A-6373-15A241 | 09 | 22-04-6094 | A-6373-09A241-4 | 4 |
| 16 | 22-11-2162 | A-6373-16A241 | 24 | 22-04-6244 | A-6373-24A241-23 | 23 |
| 17 | 22-11-2172 | A-6373-17A241 | 05 | 22-04-6054 | A-6373-05A241-4 | 4 |
| 18 | 22-11-2182 | A-6373-18A241 | 11 | 26-01-3192 | A-6373-11A241-5 | 5 |
| 19 | 22-11-2192 | A-6373-19A241 | 10 | 26-01-3194 | A-6373-10A241-3 | 3 |
| 20 | 22-11-2202 | A-6373-20A241 | | | | |
| 21 | 22-11-2212 | A-6373-21A241 | | | | |
| 22 | 22-11-2222 | A-6373-22A241 | | | | |
| 23 | 22-11-2232 | A-6373-23A241 | | | | |
| 24 | 22-11-2242 | A-6373-24A241 | | | | |
| 25 | 22-11-2252 | A-6373-25A241 | | | | |
| 26 | 22-11-2262 | A-6373-26A241 | | | | |
| 27 | 22-11-2272 | A-6373-27A241 | | | | |
| 28 | 22-11-2282 | A-6373-28A241 | | | | |

| GROUP: | | A-6373-NA222-* (continued) | | | | |
|---------------|-----------------|----------------------------|--------|-----------------|------------------|----------------------|
| PIN NUMBER: | | 42663-0306 OR 2766-1(222) | | | | |
| PIN LENGTH: L | | .560 / (14.22) | | | | |
| MATING: M | | .295 / (7.49) | DIM. G | | N/A | |
| PC TAIL: P | | .140 / (3.56) | DIM T | | OVERALL | |
| PACKAGING: | | PK-6373-001 BULK | | | | |
| CKTS | MATERIAL NUMBER | ENG NUMBER | CKTS | MATERIAL NUMBER | ENG NUMBER | VOID CKT |
| | | | 13 | 50-29-1611 | A-6373-13A222-54 | 2,3,4,6,7,8,10,11,12 |
| | | | 16 | 22-23-1189 | A-6373-16A222-2 | 2 |
| | | | 10 | 22-04-5107 | A-6373-10A222-7 | 7 |
| | | | 16 | 22-23-2165 | A-6373-16A222-15 | 15 |
| | | | 10 | 22-04-5110 | A-6373-10A222-4 | 4 |
| | | | 09 | 50-29-1766 | A-6373-09A222-8 | 8 |
| | | | 09 | 50-29-1769 | A-6373-09A222-2 | 2 |
| | | | 14 | 46999-0607 | A-6373-14A222-51 | 2,3,4,7,8,9,11,12,13 |
| | | | | | | |
| | | | | | | |
| | | | | | | |
| | | | | | | |
| | | | | | | |
| | | | | | | |
| | | | | | | |
| | | | | | | |
| | | | | | | |
| | | | | | | |
| | | | | | | |
| | | | | | | |
| | | | | | | |
| | | | | | | |
| | | | | | | |
| | | | | | | |
| | | | | | | |
| | | | | | | |
| | | | | | | |
| | | | | | | |
| | | | | | | |
| | | | | | | |
| | | | | | | |
| | | | | | | |

| | | | |
|---|--|---|--------------------------------------|
| REV: BD2 | <u>ECR/ECN INFORMATION:</u> | <u>TITLE:</u> KK 100 HEADER ASSEMBLY FRICTION LOCK SOLID BODY | <u>SHEET No.</u> - 5 - |
| | <u>EC No.:</u> UCP2014-0523 | | |
| | <u>DATE:</u> 8/19/2013 | | |
| <u>DOCUMENT NUMBER:</u> SD - 6373 - 001 | <u>CREATED / REVISED BY:</u> MKIPPER | <u>CHECKED BY:</u> JBELL | <u>APPROVED BY:</u> FSMITH |

| GROUP: | | A-6373-NAB197-* | | | | |
|---------------|-----------------|------------------|--------|-----------------|------------|----------|
| PIN NUMBER: | | 42663-0582 | | | | |
| PIN LENGTH: L | | .700 / (17.78) | | | | |
| MATING: M | | .286 / (7.26) | DIM. G | | N/A | |
| PC TAIL: P | | .289 / (7.34) | DIM T | | OVERALL | |
| PACKAGING: | | PK-6373-001 BULK | | | | |
| CKTS | MATERIAL NUMBER | ENG NUMBER | CKTS | MATERIAL NUMBER | ENG NUMBER | VOID CKT |
| 2 | | A-6373-02AB197 | | | | |
| 3 | 50-29-0052 | A-6373-03AB197 | | | | |
| 4 | 50-29-0053 | A-6373-04AB197 | | | | |
| 5 | | A-6373-05AB197 | | | | |
| 6 | | A-6373-06AB197 | | | | |
| 7 | | A-6373-07AB197 | | | | |
| 8 | 50-29-0057 | A-6373-08AB197 | | | | |
| 9 | | A-6373-09AB197 | | | | |
| 10 | 50-29-0058 | A-6373-10AB197 | | | | |
| 11 | | A-6373-11AB197 | | | | |
| 12 | | A-6373-12AB197 | | | | |
| 13 | | A-6373-13AB197 | | | | |
| 14 | | A-6373-14AB197 | | | | |
| 15 | | A-6373-15AB197 | | | | |
| 16 | | A-6373-16AB197 | | | | |
| 17 | | A-6373-17AB197 | | | | |
| 18 | | A-6373-18AB197 | | | | |
| 19 | | A-6373-19AB197 | | | | |
| 20 | | A-6373-20AB197 | | | | |
| 21 | | A-6373-21AB197 | | | | |
| 22 | | A-6373-22AB197 | | | | |
| 23 | | A-6373-23AB197 | | | | |
| 24 | | A-6373-24AB197 | | | | |
| 25 | | A-6373-25AB197 | | | | |
| 26 | | A-6373-26AB197 | | | | |
| 27 | | A-6373-27AB197 | | | | |
| 28 | | A-6373-28AB197 | | | | |

| GROUP: | | A-6373-NA231-* | | | | |
|---------------|-----------------|------------------|--------|-----------------|---------------|----------|
| PIN NUMBER: | | 42663-0307 | | | | |
| PIN LENGTH: L | | .560 / (14.22) | | | | |
| MATING: M | | .295 / (7.49) | DIM. G | | .140 / (3.56) | |
| PC TAIL: P | | .140 / (3.56) | DIM T | | .135 / (3.43) | |
| PACKAGING: | | PK-6373-001 BULK | | | | |
| CKTS | MATERIAL NUMBER | ENG NUMBER | CKTS | MATERIAL NUMBER | ENG NUMBER | VOID CKT |
| 2 | 22-04-5022 | A-6373-02A231 | | | | |
| 3 | | A-6373-03A231 | | | | |
| 4 | | A-6373-04A231 | | | | |
| 5 | | A-6373-05A231 | | | | |
| 6 | | A-6373-06A231 | | | | |
| 7 | | A-6373-07A231 | | | | |
| 8 | | A-6373-08A231 | | | | |
| 9 | | A-6373-09A231 | | | | |
| 10 | | A-6373-10A231 | | | | |
| 11 | | A-6373-11A231 | | | | |
| 12 | | A-6373-12A231 | | | | |
| 13 | | A-6373-13A231 | | | | |
| 14 | | A-6373-14A231 | | | | |
| 15 | | A-6373-15A231 | | | | |
| 16 | | A-6373-16A231 | | | | |
| 17 | | A-6373-17A231 | | | | |
| 18 | | A-6373-18A231 | | | | |
| 19 | | A-6373-19A231 | | | | |
| 20 | | A-6373-20A231 | | | | |
| 21 | | A-6373-21A231 | | | | |
| 22 | | A-6373-22A231 | | | | |
| 23 | | A-6373-23A231 | | | | |
| 24 | | A-6373-24A231 | | | | |
| 25 | | A-6373-25A231 | | | | |
| 26 | | A-6373-26A231 | | | | |
| 27 | | A-6373-27A231 | | | | |
| 28 | | A-6373-28A231 | | | | |

| | | | | |
|---|-----------------------------|--|---|--------------------------------------|
| REV: BD2 | <u>ECR/ECN INFORMATION:</u> | | <u>TITLE:</u> KK 100 HEADER ASSEMBLY FRICTION LOCK SOLID BODY | <u>SHEET No.</u> - 6 - |
| | EC No.: UCP2014-0523 | | | |
| | DATE: 8/19/2013 | | | |
| <u>DOCUMENT NUMBER:</u> SD - 6373 - 001 | | <u>CREATED / REVISED BY:</u> MKIPPER | <u>CHECKED BY:</u> JBELL | <u>APPROVED BY:</u> FSMITH |

| GROUP: | | A-6373-NAH241-* | | | | |
|---------------|-----------------|------------------|--------|-----------------|---------------|----------|
| PIN NUMBER: | | 42663-0305 | | | | |
| PIN LENGTH: L | | .560 / (14.22) | | | | |
| MATING: M | | .260 / (6.60) | DIM. G | | .140 / (3.56) | |
| PC TAIL: P | | .175 / (4.45) | DIM T | | .135 / (3.43) | |
| PACKAGING: | | PK-6373-001 BULK | | | | |
| CKTS | MATERIAL NUMBER | ENG NUMBER | CK TS | MATERIAL NUMBER | ENG NUMBER | VOID CKT |
| 2 | 22-23-6024 | A-6373-02AH241 | | | | |
| 3 | 22-23-6034 | A-6373-03AH241 | | | | |
| 4 | 22-23-6044 | A-6373-04AH241 | | | | |
| 5 | 22-23-6054 | A-6373-05AH241 | | | | |
| 6 | 22-23-6064 | A-6373-06AH241 | | | | |
| 7 | 22-23-6074 | A-6373-07AH241 | | | | |
| 8 | 22-23-6084 | A-6373-08AH241 | | | | |
| 9 | 22-23-6094 | A-6373-09AH241 | | | | |
| 10 | 22-23-6104 | A-6373-10AH241 | | | | |
| 11 | 22-23-6114 | A-6373-11AH241 | | | | |
| 12 | 22-23-6124 | A-6373-12AH241 | | | | |
| 13 | 22-23-6134 | A-6373-13AH241 | | | | |
| 14 | 22-23-6144 | A-6373-14AH241 | | | | |
| 15 | 22-23-6154 | A-6373-15AH241 | | | | |
| 16 | 22-23-6164 | A-6373-16AH241 | | | | |
| 17 | 22-23-6174 | A-6373-17AH241 | | | | |
| 18 | 22-23-6184 | A-6373-18AH241 | | | | |
| 19 | 22-23-6194 | A-6373-19AH241 | | | | |
| 20 | 22-23-6204 | A-6373-20AH241 | | | | |
| 21 | 22-23-6214 | A-6373-21AH241 | | | | |
| 22 | 22-23-6224 | A-6373-22AH241 | | | | |
| 23 | 22-23-6234 | A-6373-23AH241 | | | | |
| 24 | 22-23-6244 | A-6373-24AH241 | | | | |
| 25 | 22-23-6254 | A-6373-25AH241 | | | | |
| 26 | 22-23-6264 | A-6373-26AH241 | | | | |
| 27 | 22-23-6274 | A-6373-27AH241 | | | | |
| 28 | 22-23-6284 | A-6373-28AH241 | | | | |

| GROUP: | | A-6373-NA228-* | | | | |
|---------------|-----------------|------------------|--------|-----------------|-----------------|----------|
| PIN NUMBER: | | 42663-0304 | | | | |
| PIN LENGTH: L | | .560 / (14.22) | | | | |
| MATING: M | | .295 / (7.49) | DIM. G | | .140 / (3.56) | |
| PC TAIL: P | | .140 / (3.56) | DIM T | | .135 / (3.43) | |
| PACKAGING: | | PK-6373-001 BULK | | | | |
| CKTS | MATERIAL NUMBER | ENG NUMBER | CKTS | MATERIAL NUMBER | ENG NUMBER | VOID CKT |
| 2 | 22-11-2028 | A-6373-02A228 | 09 | 22-11-2095 | A-6373-09A228-3 | 3 |
| 3 | 22-11-2038 | A-6373-03A228 | 09 | 22-11-2097 | A-6373-09A228-5 | 5 |
| 4 | 22-11-2048 | A-6373-04A228 | 05 | 22-11-2055 | A-6373-05A228-3 | 3 |
| 5 | 22-11-2058 | A-6373-05A228 | 11 | 22-11-2117 | A-6373-11A228-5 | 5 |
| 6 | 22-11-2068 | A-6373-06A228 | | | | |
| 7 | 22-11-2078 | A-6373-07A228 | | | | |
| 8 | 22-11-2088 | A-6373-08A228 | | | | |
| 9 | 22-11-2098 | A-6373-09A228 | | | | |
| 10 | 22-11-2108 | A-6373-10A228 | | | | |
| 11 | 22-11-2118 | A-6373-11A228 | | | | |
| 12 | 22-11-2128 | A-6373-12A228 | | | | |
| 13 | 22-11-2138 | A-6373-13A228 | | | | |
| 14 | 22-11-2148 | A-6373-14A228 | | | | |
| 15 | | A-6373-15A228 | | | | |
| 16 | | A-6373-16A228 | | | | |
| 17 | 22-11-2178 | A-6373-17A228 | | | | |
| 18 | 46999-0605 | A-6373-18A228 | | | | |
| 19 | | A-6373-19A228 | | | | |
| 20 | | A-6373-20A228 | | | | |
| 21 | | A-6373-21A228 | | | | |
| 22 | 22-11-2228 | A-6373-22A228 | | | | |
| 23 | | A-6373-23A228 | | | | |
| 24 | | A-6373-24A228 | | | | |
| 25 | | A-6373-25A228 | | | | |
| 26 | | A-6373-26A228 | | | | |
| 27 | | A-6373-27A228 | | | | |
| 28 | | A-6373-28A228 | | | | |

| | | | |
|------------------------|-----------------------------|--|---------------|
| REV: | ECR/ECN INFORMATION: | TITLE: | SHEET No. |
| BD2 | EC No.: UCP2014-0523 | KK 100 HEADER ASSEMBLY FRICTION LOCK SOLID BODY | - 7 - |
| | DATE: 8/19/2013 | | |
| DOCUMENT NUMBER: | | CREATED / REVISED BY: | CHECKED BY: |
| SD - 6373 - 001 | | MKIPPER | JBELL |
| | | APPROVED BY: | FSMITH |

| GROUP: | | A-6373-NAD197-* | | | | |
|---------------|-----------------|------------------|--------|-----------------|------------|----------|
| PIN NUMBER: | | 42663-0302 | | | | |
| PIN LENGTH: L | | .560 / (14.22) | | | | |
| MATING: M | | .295 / (7.49) | DIM. G | | N/A | |
| PC TAIL: P | | .140 / (3.56) | DIM T | | OVERALL | |
| PACKAGING: | | PK-6373-001 BULK | | | | |
| CKTS | MATERIAL NUMBER | ENG NUMBER | CKTS | MATERIAL NUMBER | ENG NUMBER | VOID CKT |
| 2 | 22-23-2028 | A-6373-02AD197 | | | | |
| 3 | 22-23-2038 | A-6373-03AD197 | | | | |
| 4 | 22-23-2048 | A-6373-04AD197 | | | | |
| 5 | 22-23-2058 | A-6373-05AD197 | | | | |
| 6 | 22-23-2068 | A-6373-06AD197 | | | | |
| 7 | 22-23-2078 | A-6373-07AD197 | | | | |
| 8 | 22-23-2088 | A-6373-08AD197 | | | | |
| 9 | 22-23-2098 | A-6373-09AD197 | | | | |
| 10 | 22-23-2108 | A-6373-10AD197 | | | | |
| 11 | 22-23-2118 | A-6373-11AD197 | | | | |
| 12 | 22-23-2128 | A-6373-12AD197 | | | | |
| 13 | 22-23-2138 | A-6373-13AD197 | | | | |
| 14 | 22-23-2148 | A-6373-14AD197 | | | | |
| 15 | 22-23-2158 | A-6373-15AD197 | | | | |
| 16 | 22-23-2168 | A-6373-16AD197 | | | | |
| 17 | 22-23-2178 | A-6373-17AD197 | | | | |
| 18 | 22-23-2188 | A-6373-18AD197 | | | | |
| 19 | 22-23-2198 | A-6373-19AD197 | | | | |
| 20 | 22-23-2208 | A-6373-20AD197 | | | | |
| 21 | 22-23-2218 | A-6373-21AD197 | | | | |
| 22 | 22-23-2228 | A-6373-22AD197 | | | | |
| 23 | 22-23-2238 | A-6373-23AD197 | | | | |
| 24 | 22-23-2248 | A-6373-24AD197 | | | | |
| 25 | 22-23-2258 | A-6373-25AD197 | | | | |
| 26 | 22-23-2268 | A-6373-26AD197 | | | | |
| 27 | 22-23-2278 | A-6373-27AD197 | | | | |
| 28 | 22-23-2288 | A-6373-28AD197 | | | | |

| GROUP: | | | | | | |
|---------------|-----------------|------------|------|-----------------|------------|----------|
| PIN NUMBER: | | | | | | |
| PIN LENGTH: L | | | | | | |
| MATING: M | | | | | | |
| PC TAIL: P | | | | | | |
| PACKAGING: | | | | | | |
| CKTS | MATERIAL NUMBER | ENG NUMBER | CKTS | MATERIAL NUMBER | ENG NUMBER | VOID CKT |
| 2 | | | | | | |
| 3 | | | | | | |
| 4 | | | | | | |
| 5 | | | | | | |
| 6 | | | | | | |
| 7 | | | | | | |
| 8 | | | | | | |
| 9 | | | | | | |
| 10 | | | | | | |
| 11 | | | | | | |
| 12 | | | | | | |
| 13 | | | | | | |
| 14 | | | | | | |
| 15 | | | | | | |
| 16 | | | | | | |
| 17 | | | | | | |
| 18 | | | | | | |
| 19 | | | | | | |
| 20 | | | | | | |
| 21 | | | | | | |
| 22 | | | | | | |
| 23 | | | | | | |
| 24 | | | | | | |
| 25 | | | | | | |
| 26 | | | | | | |
| 27 | | | | | | |
| 28 | | | | | | |

| | | | | |
|---|-----------------------------|--|---|--------------------------------------|
| REV: BD2 | <u>ECR/ECN INFORMATION:</u> | | <u>TITLE:</u> KK 100 HEADER ASSEMBLY FRICTION LOCK SOLID BODY | <u>SHEET No.</u> - 8 - |
| | EC No.: UCP2014-0523 | | | |
| | DATE: 8/19/2013 | | | |
| <u>DOCUMENT NUMBER:</u> SD - 6373 - 001 | | <u>CREATED / REVISED BY:</u> MKIPPER | <u>CHECKED BY:</u> JBELL | <u>APPROVED BY:</u> FSMITH |

| GROUP: | | A-6373-NA197-* | | | | |
|--------------|-----------------|------------------|--------|-----------------|-----------------|----------|
| PIN NUMBER: | | 42663-0302 | | | | |
| PIN LENGTH L | | .560 / (14.22) | | | | |
| MATING: M | | .295 / (7.49) | DIM. G | | N/A | |
| PC TAIL: P | | .140 / (3.56) | DIM T | | OVERALL | |
| PACKAGING: | | PK-6373-001 BULK | | | | |
| CKTS | MATERIAL NUMBER | ENG NUMBER | CKTS | MATERIAL NUMBER | ENG NUMBER | VOID CKT |
| 2 | 22-23-2027 | A-6373-02A197 | 5 | 22-04-6053 | A-6373-05A197-3 | 3 |
| 3 | 22-23-2037 | A-6373-03A197 | | | | |
| 4 | 22-23-2047 | A-6373-04A197 | | | | |
| 5 | 22-23-2057 | A-6373-05A197 | | | | |
| 6 | 22-23-2067 | A-6373-06A197 | | | | |
| 7 | 22-23-2077 | A-6373-07A197 | | | | |
| 8 | 22-23-2087 | A-6373-08A197 | | | | |
| 9 | 22-23-2097 | A-6373-09A197 | | | | |
| 10 | 22-23-2107 | A-6373-10A197 | | | | |
| 11 | 22-23-2117 | A-6373-11A197 | | | | |
| 12 | 22-23-2127 | A-6373-12A197 | | | | |
| 13 | 22-23-2137 | A-6373-13A197 | | | | |
| 14 | 22-23-2147 | A-6373-14A197 | | | | |
| 15 | 22-23-2157 | A-6373-15A197 | | | | |
| 16 | 22-23-2167 | A-6373-16A197 | | | | |
| 17 | 22-23-2177 | A-6373-17A197 | | | | |
| 18 | 22-23-2187 | A-6373-18A197 | | | | |
| 19 | 22-23-2197 | A-6373-19A197 | | | | |
| 20 | 22-23-2207 | A-6373-20A197 | | | | |
| 21 | 22-23-2217 | A-6373-21A197 | | | | |
| 22 | 22-23-2227 | A-6373-22A197 | | | | |
| 23 | 22-23-2237 | A-6373-23A197 | | | | |
| 24 | 22-23-2247 | A-6373-24A197 | | | | |
| 25 | 22-23-2257 | A-6373-25A197 | | | | |
| 26 | 22-23-2267 | A-6373-26A197 | | | | |
| 27 | 22-23-2277 | A-6373-27A197 | | | | |
| 28 | 22-23-2287 | A-6373-28A197 | | | | |

| GROUP: | | A-6373-NA197A-* | | | | |
|---------------|-----------------|-------------------|--------|-----------------|------------------|----------|
| PIN NUMBER: | | 42663-0302 | | | | |
| PIN LENGTH: L | | .560 / (14.22) | | | | |
| MATING: M | | .295 / (7.49) | DIM. G | | N/A | |
| PC TAIL: P | | .140 / (3.56) | DIM T | | OVERALL | |
| PACKAGING: | | PK-44743-001 BULK | | | | |
| CKTS | MATERIAL NUMBER | ENG NUMBER | CKTS | MATERIAL NUMBER | ENG NUMBER | VOID CKT |
| 2 | 22-23-6021 | A-6373-02A197A | 10 | 22-23-6106 | A-6373-10A197A-2 | 2 |
| 3 | 22-23-6031 | A-6373-03A197A | | | | |
| 4 | 22-23-6041 | A-6373-04A197A | | | | |
| 5 | 22-23-6051 | A-6373-05A197A | | | | |
| 6 | 22-23-6061 | A-6373-06A197A | | | | |
| 7 | 22-23-6071 | A-6373-07A197A | | | | |
| 8 | 22-23-6081 | A-6373-08A197A | | | | |
| 9 | 22-23-6091 | A-6373-09A197A | | | | |
| 10 | 22-23-6101 | A-6373-10A197A | | | | |
| 11 | 22-23-6111 | A-6373-11A197A | | | | |
| 12 | 22-23-6121 | A-6373-12A197A | | | | |
| 13 | 22-23-6131 | A-6373-13A197A | | | | |
| 14 | 22-23-6141 | A-6373-14A197A | | | | |
| 15 | 22-23-6151 | A-6373-15A197A | | | | |
| 16 | 22-23-6161 | A-6373-16A197A | | | | |
| 17 | 22-23-6171 | A-6373-17A197A | | | | |
| 18 | 22-23-6181 | A-6373-18A197A | | | | |
| 19 | 22-23-6191 | A-6373-19A197A | | | | |
| 20 | 22-23-6201 | A-6373-20A197A | | | | |
| 21 | 22-23-6211 | A-6373-21A197A | | | | |
| 22 | 22-23-6221 | A-6373-22A197A | | | | |
| 23 | 22-23-6231 | A-6373-23A197A | | | | |
| 24 | 22-23-6241 | A-6373-24A197A | | | | |
| 25 | 22-23-6251 | A-6373-25A197A | | | | |
| 26 | 22-23-6261 | A-6373-26A197A | | | | |
| 27 | 22-23-6271 | A-6373-27A197A | | | | |
| 28 | 22-23-6281 | A-6373-28A197A | | | | |

| | | | | |
|------------------------|-----------------------------|--|--------------|---------------|
| REV: | ECR/ECN INFORMATION: | TITLE: | SHEET No. | |
| BD2 | EC No.: UCP2014-0523 | KK 100 HEADER ASSEMBLY FRICTION LOCK SOLID BODY | - 9 - | |
| | DATE: 8/19/2013 | | | |
| DOCUMENT NUMBER: | | CREATED / REVISED BY: | CHECKED BY: | APPROVED BY: |
| SD - 6373 - 001 | | MKIPPER | JBELL | FSMITH |

| GROUP: | | A-6373-NAF197-* | | | | |
|---------------|-----------------|-----------------|--------|-----------------|------------|----------|
| PIN NUMBER: | | 42663-0182 | | | | |
| PIN LENGTH: L | | .500 / (12.70) | | | | |
| MATING : | M | .260 / (6.60) | DIM. G | N/A | | |
| PC TAIL: | P | .115 / (2.92) | DIM T | OVERALL | | |
| PACKAGING: | | PK-6373-001 | | | | |
| CKTS | MATERIAL NUMBER | ENG NUMBER | CKTS | MATERIAL NUMBER | ENG NUMBER | VOID CKT |
| 2 | 22-23-2020 | A-6373-02AF197 | | | | |
| 3 | 22-23-2030 | A-6373-03AF197 | | | | |
| 4 | 22-23-2040 | A-6373-04AF197 | | | | |
| 5 | 22-23-2050 | A-6373-05AF197 | | | | |
| 6 | 22-23-2060 | A-6373-06AF197 | | | | |
| 7 | 22-23-2070 | A-6373-07AF197 | | | | |
| 8 | 22-23-2080 | A-6373-08AF197 | | | | |
| 9 | 22-23-2090 | A-6373-09AF197 | | | | |
| 10 | 22-23-2100 | A-6373-10AF197 | | | | |
| 11 | 22-23-2110 | A-6373-11AF197 | | | | |
| 12 | 22-23-2120 | A-6373-12AF197 | | | | |
| 13 | 22-23-2130 | A-6373-13AF197 | | | | |
| 14 | 22-23-2140 | A-6373-14AF197 | | | | |
| 15 | 22-23-2150 | A-6373-15AF197 | | | | |
| 16 | 22-23-2160 | A-6373-16AF197 | | | | |
| 17 | 22-23-2170 | A-6373-17AF197 | | | | |
| 18 | 22-23-2180 | A-6373-18AF197 | | | | |
| 19 | 22-23-2190 | A-6373-19AF197 | | | | |
| 20 | 22-23-2200 | A-6373-20AF197 | | | | |
| 21 | 22-23-2210 | A-6373-21AF197 | | | | |
| 22 | 22-23-2220 | A-6373-22AF197 | | | | |
| 23 | 22-23-2230 | A-6373-23AF197 | | | | |
| 24 | 22-23-2240 | A-6373-24AF197 | | | | |
| 25 | 22-23-2250 | A-6373-25AF197 | | | | |
| 26 | 22-23-2260 | A-6373-26AF197 | | | | |
| 27 | 22-23-2270 | A-6373-27AF197 | | | | |
| 28 | 22-23-2280 | A-6373-28AF197 | | | | |

| GROUP: | | A-6373-NAG197-* | | | | |
|---------------|-----------------|-----------------|--------|-----------------|------------|----------|
| PIN NUMBER: | | 42663-0182 | | | | |
| PIN LENGTH: L | | .500 / (12.70) | | | | |
| MATING: | M | .301 / (7.65) | DIM. G | N/A | | |
| PC TAIL: | P | .074 / (1.88) | DIM T | OVERALL | | |
| PACKAGING: | | PK-6373-001 | | | | |
| CKTS | MATERIAL NUMBER | ENG NUMBER | CKTS | MATERIAL NUMBER | ENG NUMBER | VOID CKT |
| 2 | 22-23-2022 | A-6373-02AG197 | | | | |
| 3 | 22-23-2032 | A-6373-03AG197 | | | | |
| 4 | 22-23-2042 | A-6373-04AG197 | | | | |
| 5 | 22-23-2052 | A-6373-05AG197 | | | | |
| 6 | 22-23-2062 | A-6373-06AG197 | | | | |
| 7 | 22-23-2072 | A-6373-07AG197 | | | | |
| 8 | 22-23-2082 | A-6373-08AG197 | | | | |
| 9 | 22-23-2092 | A-6373-09AG197 | | | | |
| 10 | 22-23-2102 | A-6373-10AG197 | | | | |
| 11 | 22-23-2112 | A-6373-11AG197 | | | | |
| 12 | 22-23-2122 | A-6373-12AG197 | | | | |
| 13 | 22-23-2132 | A-6373-13AG197 | | | | |
| 14 | 22-23-2142 | A-6373-14AG197 | | | | |
| 15 | 22-23-2152 | A-6373-15AG197 | | | | |
| 16 | 22-23-2162 | A-6373-16AG197 | | | | |
| 17 | 22-23-2172 | A-6373-17AG197 | | | | |
| 18 | 22-23-2182 | A-6373-18AG197 | | | | |
| 19 | 22-23-2192 | A-6373-19AG197 | | | | |
| 20 | 22-23-2202 | A-6373-20AG197 | | | | |
| 21 | 22-23-2212 | A-6373-21AG197 | | | | |
| 22 | 22-23-2222 | A-6373-22AG197 | | | | |
| 23 | 22-23-2232 | A-6373-23AG197 | | | | |
| 24 | 22-23-2242 | A-6373-24AG197 | | | | |
| 25 | 22-23-2252 | A-6373-25AG197 | | | | |
| 26 | 22-23-2262 | A-6373-26AG197 | | | | |
| 27 | 22-23-2272 | A-6373-27AG197 | | | | |
| 28 | 22-23-2282 | A-6373-28AG197 | | | | |

| | | | |
|-------------------------|-----------------------------|--|--------------------|
| REV: | <u>ECR/ECN INFORMATION:</u> | <u>TITLE:</u> | <u>SHEET No.</u> |
| BD2 | EC No.: UCP2014-0523 | KK 100 HEADER ASSEMBLY FRICTION LOCK SOLID BODY | - 10 - |
| | DATE: 8/19/2013 | | |
| <u>DOCUMENT NUMBER:</u> | | <u>CREATED / REVISED BY:</u> | <u>CHECKED BY:</u> |
| SD - 6373 - 001 | | MKIPPER | JBELL |
| | | <u>APPROVED BY:</u> | FSMITH |

| GROUP: | | A-6373-NAH197-* | | | | |
|---------------|-----------------|-----------------|--------|-----------------|------------|----------|
| PIN NUMBER: | | 42663-0302 | | | | |
| PIN LENGTH: L | | .560 / (14.22) | | | | |
| MATING: M | | .260 / (6.60) | DIM. G | | N/A | |
| PC TAIL: P | | .175 / (4.45) | DIM T | | OVERALL | |
| PACKAGING: | | PK-6373-001 | | | | |
| CKTS | MATERIAL NUMBER | ENG NUMBER | CKTS | MATERIAL NUMBER | ENG NUMBER | VOID CKT |
| 2 | 22-23-3020 | A-6373-02AH197 | | | | |
| 3 | 22-23-3030 | A-6373-03AH197 | | | | |
| 4 | 22-23-3040 | A-6373-04AH197 | | | | |
| 5 | 22-23-3050 | A-6373-05AH197 | | | | |
| 6 | 22-23-3060 | A-6373-06AH197 | | | | |
| 7 | 22-23-3070 | A-6373-07AH197 | | | | |
| 8 | 22-23-3080 | A-6373-08AH197 | | | | |
| 9 | 22-23-3090 | A-6373-09AH197 | | | | |
| 10 | 22-23-3100 | A-6373-10AH197 | | | | |
| 11 | 22-23-3110 | A-6373-11AH197 | | | | |
| 12 | 22-23-3120 | A-6373-12AH197 | | | | |
| 13 | 22-23-3130 | A-6373-13AH197 | | | | |
| 14 | 22-23-3140 | A-6373-14AH197 | | | | |
| 15 | 22-23-3150 | A-6373-15AH197 | | | | |
| 16 | 22-23-3160 | A-6373-16AH197 | | | | |
| 17 | 22-23-3170 | A-6373-17AH197 | | | | |
| 18 | 22-23-3180 | A-6373-18AH197 | | | | |
| 19 | 22-23-3190 | A-6373-19AH197 | | | | |
| 20 | 22-23-3200 | A-6373-20AH197 | | | | |
| 21 | 22-23-3210 | A-6373-21AH197 | | | | |
| 22 | 22-23-3220 | A-6373-22AH197 | | | | |
| 23 | 22-23-3230 | A-6373-23AH197 | | | | |
| 24 | 22-23-3240 | A-6373-24AH197 | | | | |
| 25 | 22-23-3250 | A-6373-25AH197 | | | | |
| 26 | 22-23-3260 | A-6373-26AH197 | | | | |
| 27 | 22-23-3270 | A-6373-27AH197 | | | | |
| 28 | 22-23-3280 | A-6373-28AH197 | | | | |

| GROUP: | | A-6373-NAJ197-* | | | | |
|---------------|-----------------|-----------------|--------|-----------------|------------------|----------|
| PIN NUMBER: | | 42663-0342 | | | | |
| PIN LENGTH: L | | .580 / (14.73) | | | | |
| MATING: M | | .300 / (7.62) | DIM. G | | N/A | |
| PC TAIL: P | | .155 / (3.94) | DIM T | | OVERALL | |
| PACKAGING: | | PK-6373-001 | | | | |
| CKTS | MATERIAL NUMBER | ENG NUMBER | CKTS | MATERIAL NUMBER | ENG NUMBER | VOID CKT |
| 2 | 22-23-3023 | A-6373-02AJ197 | 05 | 22-04-6052 | A-6373-05AJ197-1 | 1 |
| 3 | 22-23-3033 | A-6373-03AJ197 | 06 | 22-04-6062 | A-6373-06AJ197-2 | 2 |
| 4 | 22-23-3043 | A-6373-04AJ197 | | | | |
| 5 | 22-23-3053 | A-6373-05AJ197 | | | | |
| 6 | 22-23-3063 | A-6373-06AJ197 | | | | |
| 7 | | A-6373-07AJ197 | | | | |
| 8 | 22-23-3083 | A-6373-08AJ197 | | | | |
| 9 | 22-23-3093 | A-6373-09AJ197 | | | | |
| 10 | 22-23-3103 | A-6373-10AJ197 | | | | |
| 11 | | A-6373-11AJ197 | | | | |
| 12 | | A-6373-12AJ197 | | | | |
| 13 | | A-6373-13AJ197 | | | | |
| 14 | | A-6373-14AJ197 | | | | |
| 15 | 22-23-3153 | A-6373-15AJ197 | | | | |
| 16 | 22-23-3163 | A-6373-16AJ197 | | | | |
| 17 | | A-6373-17AJ197 | | | | |
| 18 | | A-6373-18AJ197 | | | | |
| 19 | | A-6373-19AJ197 | | | | |
| 20 | 22-23-3203 | A-6373-20AJ197 | | | | |
| 21 | | A-6373-21AJ197 | | | | |
| 22 | | A-6373-22AJ197 | | | | |
| 23 | | A-6373-23AJ197 | | | | |
| 24 | | A-6373-24AJ197 | | | | |
| 25 | | A-6373-25AJ197 | | | | |
| 26 | | A-6373-26AJ197 | | | | |
| 27 | | A-6373-27AJ197 | | | | |
| 28 | | A-6373-28AJ197 | | | | |

| | | | |
|-------------------------|-----------------------------|--|--------------------|
| REV: | <u>ECR/ECN INFORMATION:</u> | <u>TITLE:</u> | <u>SHEET No.</u> |
| BD2 | EC No.: UCP2014-0523 | KK 100 HEADER ASSEMBLY FRICTION LOCK SOLID BODY | - 11 - |
| | DATE: 8/19/2013 | | |
| <u>DOCUMENT NUMBER:</u> | | <u>CREATED / REVISED BY:</u> | <u>CHECKED BY:</u> |
| SD - 6373 - 001 | | MKIPPER | JBELL |
| | | <u>APPROVED BY:</u> | FSMITH |

| | | | | | | |
|---------------|-----------------|-----------------|--------|-----------------|---------------|----------|
| GROUP: | | A-6373-NA241A-* | | | | |
| PIN NUMBER: | | 42663-0305 | | | | |
| PIN LENGTH: L | | .560 / (14.22) | | | | |
| MATING: M | | .295 / (7.49) | DIM. G | | .140 / (3.56) | |
| PC TAIL: P | | .140 / (3.56) | DIM T | | .135 / (3.43) | |
| PACKAGING: | | PK-44743-001 | | | | |
| CKTS | MATERIAL NUMBER | ENG NUMBER | CKTS | MATERIAL NUMBER | ENG NUMBER | VOID CKT |
| 2 | | | | | | |
| 3 | 22-23-1035 | A-6373-03A241A | | | | |
| 4 | 22-23-1045 | A-6373-04A241A | | | | |
| 5 | 22-23-1055 | A-6373-05A241A | | | | |
| 6 | 22-23-1065 | A-6373-06A241A | | | | |
| 7 | 22-23-1075 | A-6373-07A241A | | | | |
| 8 | 22-23-1085 | A-6373-08A241A | | | | |
| 9 | 22-23-1095 | A-6373-09A241A | | | | |
| 10 | 22-23-1105 | A-6373-10A241A | | | | |
| 11 | 22-23-1115 | A-6373-11A241A | | | | |
| 12 | 22-23-1125 | A-6373-12A241A | | | | |
| 13 | 22-23-1135 | A-6373-13A241A | | | | |
| 14 | 22-23-1145 | A-6373-14A241A | | | | |
| 15 | 22-23-1155 | A-6373-15A241A | | | | |
| 16 | 22-23-1165 | A-6373-16A241A | | | | |
| 17 | 22-23-1175 | A-6373-17A241A | | | | |
| 18 | 22-23-1185 | A-6373-18A241A | | | | |
| 19 | 22-23-1195 | A-6373-19A241A | | | | |
| 20 | 22-23-1205 | A-6373-20A241A | | | | |
| 21 | 22-23-1211 | A-6373-21A241A | | | | |
| 22 | 22-23-1222 | A-6373-22A241A | | | | |
| 23 | 22-23-1233 | A-6373-23A241A | | | | |
| 24 | 22-23-1244 | A-6373-24A241A | | | | |
| 25 | 22-23-1255 | A-6373-25A241A | | | | |
| 26 | 22-23-1266 | A-6373-26A241A | | | | |
| 27 | 22-23-1277 | A-6373-27A241A | | | | |
| 28 | 22-23-1288 | A-6373-28A241A | | | | |

| | | | | | | |
|---------------|-----------------|-----------------|--------|-----------------|------------------|----------|
| GROUP: | | A-6373-NAL197-* | | | | |
| PIN NUMBER: | | 42663-1182 | | | | |
| PIN LENGTH: L | | 1.000 / (25.40) | | | | |
| MATING: M | | .295 / (7.49) | DIM. G | | N/A | |
| PC TAIL: P | | .580 / (14.73) | DIM T | | OVERALL | |
| PACKAGING: | | PK-6373-001 | | | | |
| CKTS | MATERIAL NUMBER | ENG NUMBER | CKTS | MATERIAL NUMBER | ENG NUMBER | VOID CKT |
| 2 | | | 06 | 22-04-6066 | A-6373-06AL197-2 | 2 |
| 3 | 22-23-6032 | A-6373-03AL197 | 06 | 22-04-6067 | A-6373-06AL197-3 | 3 |
| 4 | 22-23-6042 | A-6373-04AL197 | | | | |
| 5 | 22-23-6052 | A-6373-05AL197 | | | | |
| 6 | 22-23-6062 | A-6373-06AL197 | | | | |
| 7 | 22-23-6072 | A-6373-07AL197 | | | | |
| 8 | 22-23-6082 | A-6373-08AL197 | | | | |
| 9 | 22-23-6092 | A-6373-09AL197 | | | | |
| 10 | 22-23-6102 | A-6373-10AL197 | | | | |
| 11 | 22-23-6112 | A-6373-11AL197 | | | | |
| 12 | 22-23-6122 | A-6373-12AL197 | | | | |
| 13 | 22-23-6132 | A-6373-13AL197 | | | | |
| 14 | 22-23-6142 | A-6373-14AL197 | | | | |
| 15 | 22-23-6152 | A-6373-15AL197 | | | | |
| 16 | 22-23-6162 | A-6373-16AL197 | | | | |
| 17 | 22-23-6172 | A-6373-17AL197 | | | | |
| 18 | 22-23-6182 | A-6373-18AL197 | | | | |
| 19 | 22-23-6192 | A-6373-19AL197 | | | | |
| 20 | 22-23-6202 | A-6373-20AL197 | | | | |
| 21 | 22-23-6212 | A-6373-21AL197 | | | | |
| 22 | 22-23-6222 | A-6373-22AL197 | | | | |
| 23 | 22-23-6232 | A-6373-23AL197 | | | | |
| 24 | 22-23-6242 | A-6373-24AL197 | | | | |
| 25 | 22-23-6252 | A-6373-25AL197 | | | | |
| 26 | 22-23-6262 | A-6373-26AL197 | | | | |
| 27 | 22-23-6272 | A-6373-27AL197 | | | | |
| 28 | 22-23-6282 | A-6373-28AL197 | | | | |

| | | | |
|--|---|--|-----------------------------|
| REV: BD2 | ECR/ECN INFORMATION: EC No.: UCP2014-0523 DATE: 8/19/2013 | TITLE: KK 100 HEADER ASSEMBLY FRICTION LOCK SOLID BODY | SHEET No. - 12 - |
| DOCUMENT NUMBER: SD - 6373 - 001 | | CREATED / REVISED BY: MKIPPER | CHECKED BY: JBELL |
| | | APPROVED BY: FSMITH | |

| GROUP: | | A-6373-NAM197-* | | | | |
|---------------|-----------------|-----------------|--------|-----------------|------------|----------|
| PIN NUMBER: | | 42663-0222 | | | | |
| PIN LENGTH: L | | .520 / (13.21) | | | | |
| MATING: M | | .305 / (7.75) | DIM. G | | N/A | |
| PC TAIL: P | | .090 / (2.29) | DIM T | | OVERALL | |
| PACKAGING: | | PK-6373-001 | | | | |
| CKTS | MATERIAL NUMBER | ENG NUMBER | CKTS | MATERIAL NUMBER | ENG NUMBER | VOID CKT |
| 2 | 22-23-6023 | A-6373-02AM197 | | | | |
| 3 | 22-23-6033 | A-6373-03AM197 | | | | |
| 4 | 22-23-6043 | A-6373-04AM197 | | | | |
| 5 | 22-23-6053 | A-6373-05AM197 | | | | |
| 6 | 22-23-6063 | A-6373-06AM197 | | | | |
| 7 | 22-23-6073 | A-6373-07AM197 | | | | |
| 8 | 22-23-6083 | A-6373-08AM197 | | | | |
| 9 | 22-23-6093 | A-6373-09AM197 | | | | |
| 10 | 22-23-6103 | A-6373-10AM197 | | | | |
| 11 | 22-23-6113 | A-6373-11AM197 | | | | |
| 12 | 22-23-6123 | A-6373-12AM197 | | | | |
| 13 | 22-23-6133 | A-6373-13AM197 | | | | |
| 14 | 22-23-6143 | A-6373-14AM197 | | | | |
| 15 | 22-23-6153 | A-6373-15AM197 | | | | |
| 16 | 22-23-6163 | A-6373-16AM197 | | | | |
| 17 | 22-23-6173 | A-6373-17AM197 | | | | |
| 18 | 22-23-6183 | A-6373-18AM197 | | | | |
| 19 | 22-23-6193 | A-6373-19AM197 | | | | |
| 20 | 22-23-6203 | A-6373-20AM197 | | | | |
| 21 | 22-23-6213 | A-6373-21AM197 | | | | |
| 22 | 22-23-6223 | A-6373-22AM197 | | | | |
| 23 | 22-23-6233 | A-6373-23AM197 | | | | |
| 24 | 22-23-6243 | A-6373-24AM197 | | | | |
| 25 | 22-23-6253 | A-6373-25AM197 | | | | |
| 26 | 22-23-6263 | A-6373-26AM197 | | | | |
| 27 | 22-23-6273 | A-6373-27AM197 | | | | |
| 28 | 22-23-6283 | A-6373-28AM197 | | | | |

| GROUP: | | A-6373-NAM241-* | | | | |
|---------------|-----------------|-----------------|--------|-----------------|---------------|----------|
| PIN NUMBER: | | 42663-0223 | | | | |
| PIN LENGTH: L | | .520 / (13.21) | | | | |
| MATING: M | | .305 / (7.75) | DIM. G | | .140 / (3.56) | |
| PC TAIL: P | | .090 / (2.29) | DIM T | | .135 / (3.43) | |
| PACKAGING: | | PK-6373-001 | | | | |
| CKTS | MATERIAL NUMBER | ENG NUMBER | CKTS | MATERIAL NUMBER | ENG NUMBER | VOID CKT |
| 2 | 22-23-6025 | A-6373-02AM241 | | | | |
| 3 | 22-23-6035 | A-6373-03AM241 | | | | |
| 4 | 22-23-6045 | A-6373-04AM241 | | | | |
| 5 | 22-23-6055 | A-6373-05AM241 | | | | |
| 6 | 22-23-6065 | A-6373-06AM241 | | | | |
| 7 | 22-23-6075 | A-6373-07AM241 | | | | |
| 8 | 22-23-6085 | A-6373-08AM241 | | | | |
| 9 | 22-23-6095 | A-6373-09AM241 | | | | |
| 10 | 22-23-6105 | A-6373-10AM241 | | | | |
| 11 | 22-23-6115 | A-6373-11AM241 | | | | |
| 12 | 22-23-6125 | A-6373-12AM241 | | | | |
| 13 | 22-23-6135 | A-6373-13AM241 | | | | |
| 14 | 22-23-6145 | A-6373-14AM241 | | | | |
| 15 | 22-23-6155 | A-6373-15AM241 | | | | |
| 16 | 22-23-6165 | A-6373-16AM241 | | | | |
| 17 | 22-23-6175 | A-6373-17AM241 | | | | |
| 18 | 22-23-6185 | A-6373-18AM241 | | | | |
| 19 | 22-23-6195 | A-6373-19AM241 | | | | |
| 20 | 22-23-6205 | A-6373-20AM241 | | | | |
| 21 | 22-23-6215 | A-6373-21AM241 | | | | |
| 22 | 22-23-6225 | A-6373-22AM241 | | | | |
| 23 | 22-23-6235 | A-6373-23AM241 | | | | |
| 24 | 22-23-6245 | A-6373-24AM241 | | | | |
| 25 | 22-23-6255 | A-6373-25AM241 | | | | |
| 26 | 22-23-6265 | A-6373-26AM241 | | | | |
| 27 | 22-23-6275 | A-6373-27AM241 | | | | |
| 28 | 22-23-6285 | A-6373-28AM241 | | | | |

| | | | |
|-------------------------|-----------------------------|--|--------------------|
| REV: | <u>ECR/ECN INFORMATION:</u> | <u>TITLE:</u> | <u>SHEET No.</u> |
| BD2 | EC No.: UCP2014-0523 | KK 100 HEADER ASSEMBLY FRICTION LOCK SOLID BODY | - 13 - |
| | DATE: 8/19/2013 | | |
| <u>DOCUMENT NUMBER:</u> | | <u>CREATED / REVISED BY:</u> | <u>CHECKED BY:</u> |
| SD - 6373 - 001 | | MKIPPER | JBELL |
| | | <u>APPROVED BY:</u> | |
| | | FSMITH | |

| | | | | | | |
|---------------|-----------------|-----------------|------|-----------------|------------|----------|
| GROUP: | | A-6373-NAN241-* | | | | |
| PIN NUMBER: | | 42663-0443 | | | | |
| PIN LENGTH: L | | .630 / (16.00) | | | | |
| MATING: M | .300 / (7.62) | DIM. G | | .140 / (3.56) | | |
| PC TAIL: P | .205 / (5.21) | DIM T | | .135 / (3.43) | | |
| PACKAGING: | | PK-6373-001 | | | | |
| CKTS | MATERIAL NUMBER | ENG NUMBER | CKTS | MATERIAL NUMBER | ENG NUMBER | VOID CKT |
| 2 | | A-6373-02AN241 | | | | |
| 3 | | A-6373-03AN241 | | | | |
| 4 | 22-23-6047 | A-6373-04AN241 | | | | |
| 5 | | A-6373-05AN241 | | | | |
| 6 | | A-6373-06AN241 | | | | |
| 7 | | A-6373-07AN241 | | | | |
| 8 | | A-6373-08AN241 | | | | |
| 9 | | A-6373-09AN241 | | | | |
| 10 | | A-6373-10AN241 | | | | |
| 11 | | A-6373-11AN241 | | | | |
| 12 | | A-6373-12AN241 | | | | |
| 13 | | A-6373-13AN241 | | | | |
| 14 | | A-6373-14AN241 | | | | |
| 15 | | A-6373-15AN241 | | | | |
| 16 | | A-6373-16AN241 | | | | |
| 17 | | A-6373-17AN241 | | | | |
| 18 | | A-6373-18AN241 | | | | |
| 19 | | A-6373-19AN241 | | | | |
| 20 | | A-6373-20AN241 | | | | |
| 21 | | A-6373-21AN241 | | | | |
| 22 | | A-6373-22AN241 | | | | |
| 23 | | A-6373-23AN241 | | | | |
| 24 | | A-6373-24AN241 | | | | |
| 25 | | A-6373-25AN241 | | | | |
| 26 | | A-6373-26AN241 | | | | |
| 27 | | A-6373-27AN241 | | | | |
| 28 | | A-6373-28AN241 | | | | |

| | | | | | | |
|---------------|-----------------|-----------------|------|-----------------|------------|----------|
| GROUP: | | A-6373-NAB241-* | | | | |
| PIN NUMBER: | | 42663-0583 | | | | |
| PIN LENGTH: L | | .700 / (17.78) | | | | |
| MATING: M | .286 / (7.26) | DIM. G | | .200 / (5.08) | | |
| PC TAIL: P | .289 / (7.34) | DIM T | | .135 / (3.43) | | |
| PACKAGING: | | PK-6373-001 | | | | |
| CKTS | MATERIAL NUMBER | ENG NUMBER | CKTS | MATERIAL NUMBER | ENG NUMBER | VOID CKT |
| 2 | 50-29-1746 | A-6373-02AB241 | | | | |
| 3 | | A-6373-03AB241 | | | | |
| 4 | | A-6373-04AB241 | | | | |
| 5 | | A-6373-05AB241 | | | | |
| 6 | | A-6373-06AB241 | | | | |
| 7 | | A-6373-07AB241 | | | | |
| 8 | 50-29-1741 | A-6373-08AB241 | | | | |
| 9 | | A-6373-09AB241 | | | | |
| 10 | 50-29-1742 | A-6373-10AB241 | | | | |
| 11 | | A-6373-11AB241 | | | | |
| 12 | | A-6373-12AB241 | | | | |
| 13 | | A-6373-13AB241 | | | | |
| 14 | | A-6373-14AB241 | | | | |
| 15 | | A-6373-15AB241 | | | | |
| 16 | | A-6373-16AB241 | | | | |
| 17 | | A-6373-17AB241 | | | | |
| 18 | | A-6373-18AB241 | | | | |
| 19 | | A-6373-19AB241 | | | | |
| 20 | | A-6373-20AB241 | | | | |
| 21 | | A-6373-21AB241 | | | | |
| 22 | | A-6373-22AB241 | | | | |
| 23 | | A-6373-23AB241 | | | | |
| 24 | | A-6373-24AB241 | | | | |
| 25 | | A-6373-25AB241 | | | | |
| 26 | | A-6373-26AB241 | | | | |
| 27 | | A-6373-27AB241 | | | | |
| 28 | | A-6373-28AB241 | | | | |

| | | | | |
|------------------------|-----------------------------|--|---------------|---------------|
| REV: | ECR/ECN INFORMATION: | TITLE: | SHEET No. | |
| BD2 | EC No.: UCP2014-0523 | KK 100 HEADER ASSEMBLY FRICTION LOCK SOLID BODY | - 14 - | |
| | DATE: 8/19/2013 | | | |
| DOCUMENT NUMBER: | | CREATED / REVISED BY: | CHECKED BY: | APPROVED BY: |
| SD - 6373 - 001 | | MKIPPER | JBELL | FSMITH |

| GROUP: | | A-6373-NAN197-* | | | | |
|---------------|-----------------|-----------------|------|-----------------|------------------|----------|
| PIN NUMBER: | | 42663-0442 | | | | |
| PIN LENGTH: L | | .630 / (16.00) | | | | |
| MATING: M | .300 / (7.62) | DIM. G | | N/A | | |
| PC TAIL: P | .205 / (5.21) | DIM T | | OVERALL | | |
| PACKAGING: | | PK-6373-001 | | | | |
| CKTS | MATERIAL NUMBER | ENG NUMBER | CKTS | MATERIAL NUMBER | ENG NUMBER | VOID CKT |
| 2 | | | 9 | 50-34-8527 | A-6373-09AN197-7 | 7 |
| 3 | | | | | | |
| 4 | 50-36-1696 | A-6373-04AN197 | | | | |
| 5 | | | | | | |
| 6 | | | | | | |
| 7 | | | | | | |
| 8 | | | | | | |
| 9 | | | | | | |
| 10 | | | | | | |
| 11 | | | | | | |
| 12 | | | | | | |
| 13 | | | | | | |
| 14 | | | | | | |
| 15 | | | | | | |
| 16 | | | | | | |
| 17 | | | | | | |
| 18 | | | | | | |
| 19 | | | | | | |
| 20 | | | | | | |
| 21 | | | | | | |
| 22 | | | | | | |
| 23 | | | | | | |
| 24 | | | | | | |
| 25 | | | | | | |
| 26 | | | | | | |
| 27 | | | | | | |
| 28 | | | | | | |

| GROUP: | | A-6373-NA154-* | | | | |
|---------------|-----------------|------------------|------|-----------------|-----------------|----------|
| PIN NUMBER: | | 42663-0309 | | | | |
| PIN LENGTH: L | | .560 / (14.22) | | | | |
| MATING: M | .295 / (7.49) | DIM. G | | N/A | | |
| PC TAIL: P | .140 / (3.56) | DIM T | | OVERALL | | |
| PACKAGING: | | PK-6373-001 BULK | | | | |
| CKTS | MATERIAL NUMBER | ENG NUMBER | CKTS | MATERIAL NUMBER | ENG NUMBER | VOID CKT |
| 2 | | | 9 | 26-01-3183 | A-6373-09A154-7 | 7 |
| 3 | | | | | | |
| 4 | | | | | | |
| 5 | | | | | | |
| 6 | | | | | | |
| 7 | | | | | | |
| 8 | | | | | | |
| 9 | | | | | | |
| 10 | | | | | | |
| 11 | | | | | | |
| 12 | | | | | | |
| 13 | | | | | | |
| 14 | | | | | | |
| 15 | | | | | | |
| 16 | | | | | | |
| 17 | | | | | | |
| 18 | | | | | | |
| 19 | | | | | | |
| 20 | | | | | | |
| 21 | | | | | | |
| 22 | | | | | | |
| 23 | | | | | | |
| 24 | | | | | | |
| 25 | | | | | | |
| 26 | | | | | | |
| 27 | | | | | | |
| 28 | | | | | | |

| | | | | |
|--|---|--|-----------------------------|-------------------------------|
| REV: BD2 | ECR/ECN INFORMATION: | TITLE: KK 100 HEADER ASSEMBLY FRICTION LOCK SOLID BODY | SHEET No. - 15 - | |
| | EC No.: UCP2014-0523 DATE: 8/19/2013 | | | |
| DOCUMENT NUMBER: SD - 6373 - 001 | | CREATED / REVISED BY: MKIPPER | CHECKED BY: JBELL | APPROVED BY: FSMITH |

Компания «Life Electronics» занимается поставками электронных компонентов импортного и отечественного производства от производителей и со складов крупных дистрибьюторов Европы, Америки и Азии.

С конца 2013 года компания активно расширяет линейку поставок компонентов по направлению коаксиальный кабель, кварцевые генераторы и конденсаторы (керамические, пленочные, электролитические), за счёт заключения дистрибьюторских договоров

Мы предлагаем:

- Конкурентоспособные цены и скидки постоянным клиентам.
- Специальные условия для постоянных клиентов.
- Подбор аналогов.
- Поставку компонентов в любых объемах, удовлетворяющих вашим потребностям.
- Приемлемые сроки поставки, возможна ускоренная поставка.
- Доставку товара в любую точку России и стран СНГ.
- Комплексную поставку.
- Работу по проектам и поставку образцов.
- Формирование склада под заказчика.
- Сертификаты соответствия на поставляемую продукцию (по желанию клиента).
- Тестирование поставляемой продукции.
- Поставку компонентов, требующих военную и космическую приемку.
- Входной контроль качества.
- Наличие сертификата ISO.

В составе нашей компании организован Конструкторский отдел, призванный помогать разработчикам, и инженерам.

Конструкторский отдел помогает осуществить:

- Регистрацию проекта у производителя компонентов.
- Техническую поддержку проекта.
- Защиту от снятия компонента с производства.
- Оценку стоимости проекта по компонентам.
- Изготовление тестовой платы монтаж и пусконаладочные работы.



Тел: +7 (812) 336 43 04 (многоканальный)

Email: org@lifeelectronics.ru