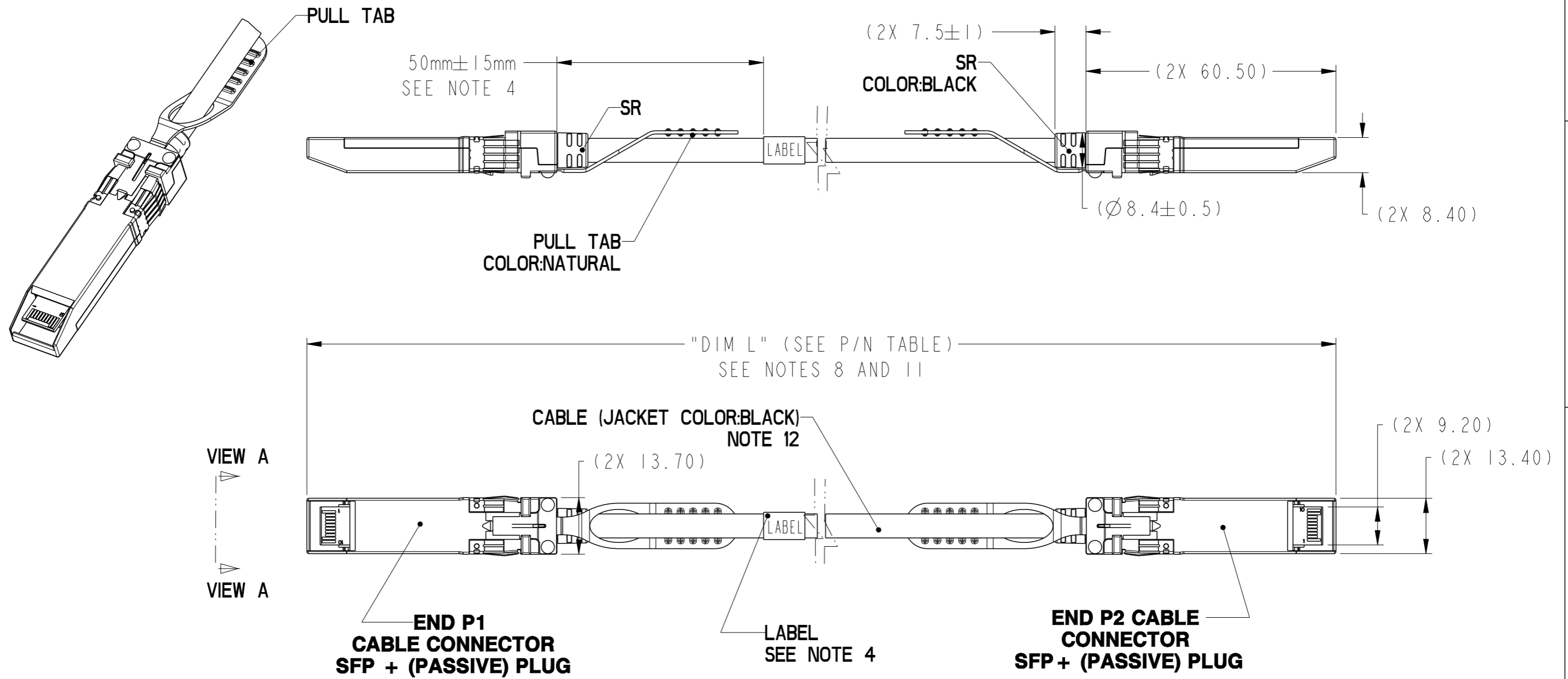


| Product number    | DESCRIPTION       | NOTES      |
|-------------------|-------------------|------------|
| 10110818-XXXXLF   | NON-HF            | SEE SHT. 3 |
| 10110818-XXXXHFLF | HALOGEN FREE (HF) | SEE SHT. 4 |



|  |                |                                  |                        |                    |                 |               |       |      |
|--|----------------|----------------------------------|------------------------|--------------------|-----------------|---------------|-------|------|
| dr   | Deborah Ingram | 2009/12/18                       | projection             | mm                 | size            | A3            | scale | 3:10 |
| eng  | Michael Zhou   | 2015/05/13                       |                        |                    | ecn no          | ELX-N-20846-1 |       |      |
| chr  | -              | -                                | product family         | SFP+ PLUG          | rel level       | Released      |       |      |
| appr   | Frank Mao      | 2015/05/13                       |                        |                    |                 |               |       |      |
|  |                | <b>FINAL ASSEMBLY - STANDARD</b> |                        | dwg no<br>10110818 | rev<br><b>G</b> |               |       |      |
| <a href="http://www.fci.com">www.fci.com</a> |                | cat. no.<br>-                    | Product - Customer Drw |                    | sheet 1 of 5    |               |       |      |

| Product number    | DESCRIPTION       | NOTES      |
|-------------------|-------------------|------------|
| 10110818-XXXXLF   | NON-HF            | SEE SHT. 3 |
| 10110818-XXXXHFLF | HALOGEN FREE (HF) | SEE SHT. 4 |

| WIRING LIST (SEE NOTE 5) |        |  |          |        |
|--------------------------|--------|--|----------|--------|
| END P1                   |        |  | END P2   |        |
| POSITION                 | SYMBOL |  | POSITION | SYMBOL |
| 12                       | RD-    |  | 19       | TD-    |
| 13                       | RD+    |  | 18       | TD+    |
| 18                       | TD+    |  | 13       | RD+    |
| 19                       | TD-    |  | 12       | RD-    |

| LOW SPEED SIGNALS<br>P1 & P2 |            |
|------------------------------|------------|
| END P1                       |            |
| POSITION                     | SYMBOL     |
| 1                            | VeeT       |
| 2                            | TX_Fault   |
| 3                            | Tx_Disable |
| 4                            | MOD_DEF(2) |
| 5                            | MOD_DEF(1) |
| 6                            | MOD_DEF(0) |
| 7                            | RateSelect |
| 8                            | LOS        |
| 9                            | VeeR       |
| 10                           | VeeR       |
| 11                           | VeeR       |
| 14                           | VeeR       |
| 15                           | VccR       |
| 16                           | VccT       |
| 17                           | VeeT       |
| 20                           | VeeT       |



VIEW A (P1)  
SCALE 2:1

|             |                |  |                |                        |                    |               |       |      |
|-------------|----------------|--|----------------|------------------------|--------------------|---------------|-------|------|
| dr          | Deborah Ingram | 2009/12/18   | projection<br> | mm<br>                 | size               | A3            | scale | 3:10 |
| eng         | Michael Zhou   | 2015/05/13   |                |                        | ecn no             | ELX-N-20846-1 |       |      |
| chr         | -              | -  |                |                        | rel level          | Released      |       |      |
| appr        | Frank Mao      | 2015/05/13   | product family | SFP+ PLUG              |                    |               |       |      |
|             |                | title FINAL ASSEMBLY - STANDARD<br>SFP+ (PASSIVE) ASSEMBLY |                |                        | dwg no<br>10110818 | rev<br>G      |       |      |
| www.fci.com |                | cat. no.   | -              | Product - Customer Drw |                    | sheet 2 of 5  |       |      |



| PRODUCT NUMBER  | LENGTH (Meters)<br>"DIM L" | AWG | NOTES        |
|-----------------|----------------------------|-----|--------------|
| 10110818-2005LF | 0.5                        | 30  | NOTE 13      |
| 10110818-2010LF | 1.0                        | 30  |              |
| 10110818-2015LF | 1.5                        | 30  |              |
| 10110818-2020LF | 2.0                        | 30  |              |
| 10110818-2025LF | 2.5                        | 30  |              |
| 10110818-2030LF | 3.0                        | 30  |              |
| 10110818-2035LF | 3.5                        | 30  |              |
| 10110818-2040LF | 4.0                        | 30  |              |
| 10110818-3005LF | 0.5                        | 28  | NOTE 13      |
| 10110818-3006LF | 0.6                        | 28  |              |
| 10110818-3010LF | 1.0                        | 28  |              |
| 10110818-3015LF | 1.5                        | 28  |              |
| 10110818-3020LF | 2.0                        | 28  |              |
| 10110818-3025LF | 2.5                        | 28  |              |
| 10110818-3030LF | 3.0                        | 28  |              |
| 10110818-3035LF | 3.5                        | 28  |              |
| 10110818-3040LF | 4.0                        | 28  |              |
| 10110818-3045LF | 4.5                        | 28  |              |
| 10110818-3050LF | 5.0                        | 28  |              |
| 10110818-4005LF | 0.5                        | 26  |              |
| 10110818-4010LF | 1.0                        | 26  | NOTE 13      |
| 10110818-4015LF | 1.5                        | 26  | NOTE 13      |
| 10110818-4020LF | 2.0                        | 26  | NOTE 13      |
| 10110818-4025LF | 2.5                        | 26  | NOTE 13      |
| 10110818-4030LF | 3.0                        | 26  | NOTE 13      |
| 10110818-4035LF | 3.5                        | 26  | NOTE 13      |
| 10110818-4040LF | 4.0                        | 26  | NOTE 13      |
| 10110818-4045LF | 4.5                        | 26  | NOTE 13      |
| 10110818-4050LF | 5.0                        | 26  | NOTE 13      |
| 10110818-4055LF | 5.5                        | 26  | NOTE 13      |
| 10110818-4060LF | 6.0                        | 26  | NOTE 13      |
| 10110818-4065LF | 6.5                        | 26  | NOTE 10 & 13 |
| 10110818-4070LF | 7.0                        | 26  | NOTE 10 & 13 |

| PRODUCT NUMBER  | LENGTH (Meters)<br>"DIM L" | AWG | NOTES        |
|-----------------|----------------------------|-----|--------------|
| 10110818-5005LF | 0.5                        | 24  | NOTE 13      |
| 10110818-5010LF | 1.0                        | 24  | NOTE 13      |
| 10110818-5015LF | 1.5                        | 24  | NOTE 13      |
| 10110818-5020LF | 2.0                        | 24  | NOTE 13      |
| 10110818-5025LF | 2.5                        | 24  | NOTE 13      |
| 10110818-5030LF | 3.0                        | 24  | NOTE 13      |
| 10110818-5035LF | 3.5                        | 24  | NOTE 13      |
| 10110818-5040LF | 4.0                        | 24  | NOTE 13      |
| 10110818-5045LF | 4.5                        | 24  | NOTE 13      |
| 10110818-5050LF | 5.0                        | 24  | NOTE 13      |
| 10110818-5055LF | 5.5                        | 24  | NOTE 13      |
| 10110818-5060LF | 6.0                        | 24  | NOTE 13      |
| 10110818-5065LF | 6.5                        | 24  | NOTE 13      |
| 10110818-5070LF | 7.0                        | 24  | NOTE 13      |
| 10110818-5075LF | 7.5                        | 24  | NOTE 13      |
| 10110818-5080LF | 8.0                        | 24  | NOTE 10 & 13 |
| 10110818-5085LF | 8.5                        | 24  | NOTE 10 & 13 |
| 10110818-5090LF | 9.0                        | 24  | NOTE 10 & 13 |
| 10110818-5095LF | 9.5                        | 24  | NOTE 10 & 13 |
| 10110818-5100LF | 10.0                       | 24  | NOTE 10 & 13 |

## NON-HALOGEN FREE CABLE ASSEMBLY PART NUMBERS



Copyright FCI.

|             |                |   |   |    |                        |               |                 |          |
|-------------|----------------|---|---|----|------------------------|---------------|-----------------|----------|
| dr          | Deborah Ingram | 2009/12/18  |   | mm | size                   | A3            | scale           | 1:1      |
| eng         | Michael Zhou   | 2015/05/13  |   |    | ecn no                 | ELX-N-20846-1 |                 |          |
| chr         | -              | -   |   |    | product family         | SFP+ PLUG     | rel level       | Released |
| appr        | Frank Mao      | 2015/05/13  |   |    | product family         | SFP+ PLUG     | rel level       | Released |
|             |                | <b>FINAL ASSEMBLY - STANDARD</b><br>SFP+ (PASSIVE) ASSEMBLY |   |    | title<br>dwg no        | 10110818      | rev<br><b>G</b> |          |
| www.fci.com |                | cat. no.  | - |    | Product - Customer Drw |               | sheet 3 of 5    |          |

| PRODUCT NUMBER    | LENGTH (Meters)<br>"DIM L" | AWG | NOTES        |
|-------------------|----------------------------|-----|--------------|
| 10110818-2005HFLF | 0.5                        | 30  | NOTE 12      |
| 10110818-2010HFLF | 1.0                        | 30  | NOTE 12      |
| 10110818-2015HFLF | 1.5                        | 30  | NOTE 12      |
| 10110818-2020HFLF | 2.0                        | 30  | NOTE 12      |
| 10110818-2025HFLF | 2.5                        | 30  | NOTE 12      |
| 10110818-2030HFLF | 3.0                        | 30  | NOTE 12      |
| 10110818-2035HFLF | 3.5                        | 30  | NOTE 12      |
| 10110818-2040HFLF | 4.0                        | 30  | NOTE 12      |
| 10110818-3005HFLF | 0.5                        | 28  | NOTE 12      |
| 10110818-3006HFLF | 0.6                        | 28  | NOTE 12      |
| 10110818-3010HFLF | 1.0                        | 28  | NOTE 12      |
| 10110818-3015HFLF | 1.5                        | 28  | NOTE 12      |
| 10110818-3020HFLF | 2.0                        | 28  | NOTE 12      |
| 10110818-3025HFLF | 2.5                        | 28  | NOTE 12      |
| 10110818-3030HFLF | 3.0                        | 28  | NOTE 12      |
| 10110818-3035HFLF | 3.5                        | 28  | NOTE 12      |
| 10110818-3040HFLF | 4.0                        | 28  | NOTE 12      |
| 10110818-3045HFLF | 4.5                        | 28  | NOTE 12      |
| 10110818-3050HFLF | 5.0                        | 28  | NOTE 12      |
| 10110818-4005HFLF | 0.5                        | 26  | NOTE 12      |
| 10110818-4010HFLF | 1.0                        | 26  | NOTE 12      |
| 10110818-4015HFLF | 1.5                        | 26  | NOTE 12      |
| 10110818-4020HFLF | 2.0                        | 26  | NOTE 12      |
| 10110818-4025HFLF | 2.5                        | 26  | NOTE 12      |
| 10110818-4030HFLF | 3.0                        | 26  | NOTE 12      |
| 10110818-4035HFLF | 3.5                        | 26  | NOTE 12      |
| 10110818-4040HFLF | 4.0                        | 26  | NOTE 12      |
| 10110818-4045HFLF | 4.5                        | 26  | NOTE 12      |
| 10110818-4050HFLF | 5.0                        | 26  | NOTE 12      |
| 10110818-4055HFLF | 5.5                        | 26  | NOTE 12      |
| 10110818-4060HFLF | 6.0                        | 26  | NOTE 12      |
| 10110818-4065HFLF | 6.5                        | 26  | NOTE 10 & 12 |
| 10110818-4070HFLF | 7.0                        | 26  | NOTE 10 & 12 |

| PRODUCT NUMBER    | LENGTH (Meters)<br>"DIM L" | AWG | NOTES        |
|-------------------|----------------------------|-----|--------------|
| 10110818-5005HFLF | 0.5                        | 24  | NOTE 12      |
| 10110818-5010HFLF | 1.0                        | 24  | NOTE 12      |
| 10110818-5015HFLF | 1.5                        | 24  | NOTE 12      |
| 10110818-5020HFLF | 2.0                        | 24  | NOTE 12      |
| 10110818-5025HFLF | 2.5                        | 24  | NOTE 12      |
| 10110818-5030HFLF | 3.0                        | 24  | NOTE 12      |
| 10110818-5035HFLF | 3.5                        | 24  | NOTE 12      |
| 10110818-5040HFLF | 4.0                        | 24  | NOTE 12      |
| 10110818-5045HFLF | 4.5                        | 24  | NOTE 12      |
| 10110818-5050HFLF | 5.0                        | 24  | NOTE 12      |
| 10110818-5055HFLF | 5.5                        | 24  | NOTE 12      |
| 10110818-5060HFLF | 6.0                        | 24  | NOTE 12      |
| 10110818-5065HFLF | 6.5                        | 24  | NOTE 12      |
| 10110818-5070HFLF | 7.0                        | 24  | NOTE 12      |
| 10110818-5075HFLF | 7.5                        | 24  | NOTE 12      |
| 10110818-5080HFLF | 8.0                        | 24  | NOTE 10 & 12 |
| 10110818-5085HFLF | 8.5                        | 24  | NOTE 10 & 12 |
| 10110818-5090HFLF | 9.0                        | 24  | NOTE 10 & 12 |
| 10110818-5095HFLF | 9.5                        | 24  | NOTE 10 & 12 |
| 10110818-5100HFLF | 10.0                       | 24  | NOTE 10 & 12 |

### HALOGEN FREE CABLE ASSEMBLY PART NUMBERS



Copyright FCI.

|             |                |            |                |           |                        |                           |              |          |
|-------------|----------------|------------|----------------|-----------|------------------------|---------------------------|--------------|----------|
| dr          | Deborah Ingram | 2009/12/18 | projection     | mm        | size                   | A3                        | scale        | 3:10     |
| eng         | Michael Zhou   | 2015/05/13 |                |           | ecn no                 | ELX-N-20846-1             |              |          |
| chr         | -              | -          | product family | SFP+ PLUG | rel level              | Released                  |              |          |
| appr        | Frank Mao      | 2015/05/13 |                |           | title                  | FINAL ASSEMBLY - STANDARD | dwg no       | 10110818 |
| www.fci.com |                | cat. no.   | -              |           | Product - Customer Drw |                           | sheet 4 of 5 |          |

| Product number    | DESCRIPTION       | NOTES      |
|-------------------|-------------------|------------|
| 10110818-XXXXLF   | NON-HF            | SEE SHT. 3 |
| 10110818-XXXXHFLF | HALOGEN FREE (HF) | SEE SHT. 4 |

NOTES:

- 1 - MATERIAL:  
BACKSHELLS: ZINC ALLOY/ COPPER UNDERPLATE/ NICKEL OVERPLATE  
PULL TAB: THERMOPLASTIC POLYMER  
RELEASE SPRING: STAINLESS STEEL  
EMI GASKET: STAINLESS STEEL  
SR: THERMOPLASTIC POLYAMIDES  
SCREWS: STAINLESS STEEL  
PADDLE CARD: PRINTED CIRCUIT SUBSTRATE
- 2 - THIS PRODUCT MEETS THE RESTRICTION OF HAZARDOUS SUBSTANCES IN ELECTRICAL AND ELECTRONIC EQUIPMENT (RoHS) DIRECTIVE (2011/65/EU)
- 3 - IMPEDANCE: 100 OHMS DIFFERENTIAL.

- 4 - UNLESS OTHERWISE SPECIFIED LABEL POSITION IS TO BE 50mm FROM REAR OF CONNECTOR.

LABEL DETAILS:

|                               |                |
|-------------------------------|----------------|
| MANUFACTURER CODE OR NAME     | COUNTRY ORIGIN |
| FCI P/N                       |                |
| FCI CUSTOMER DRAWING REVISION |                |
| FCI SERIAL NUMBER             |                |
| 2D BAR CODE OF SERIAL NUMBER  |                |

LABEL EXAMPLE

|                  |
|------------------|
| FCI CHINA        |
| 10110818-2005LF  |
| Rev. G           |
| CN1324SA052L0001 |
|                  |

FONT SHALL BE CLEARLY VISIBLE AND BLACK IN COLOR.

FCI SERIAL NUMBER IS ONLY USED FOR TRACKING PRODUCT,DETAIL IS AS BELOW :

CN1324SA052L0001

|                                       |  |
|---------------------------------------|--|
| CN PRESENT MADE IN CHINA              | SEQUENCE NUMBER(0001-9999)   |
| YYWW(YEAR AND WEEK)                   | NON-HALOGEN FREE OR HALOGEN FREE(L IS NON-HALOGEN FREE TYPE OR H IS HALOGEN FREE TYPE) |
| PRESENT PRODUCT BASE NUMBER(USE "SA") | CABLE AWG(2 IS 30AWG,3 IS 28AWG,4 IS 26AWG,5 IS 24AWG)                                 |
|                                       | LENGTH(05 IS 0.5 METER,10 IS 1.0 METER,15 IS 1.5 METERS,ETC)                           |

- 5 - ALL CABLE ASSEMBLIES SHALL BE 100% TESTED FOR CONTINUITY AS DEFINED IN WIRING LIST.
- 6 - CONFORMS TO FCI PRODUCT SPECIFICATION: GS-12-616.
- 7 - PACKAGING OF LEAD FREE PRODUCTS MEETS LABELING AND PACKAGING PER SPECIFICATION GS-14-920. PACKAGE CABLE ASSEMBLIES PER GS-14-1272. DUST CAPS ARE TO BE ASSEMBLED PRIOR TO PACKING.
- 8 - THIS DIMENSION IS A FINISHED PRODUCT LENGTH.
- 9 - A "△" SYMBOL WILL BE NEXT TO ANY DIMENSION, VIEW, OR NOTE WHICH HAS BEEN MODIFIED WITH THE CURRENT DRAWING REVISION. THE CURRENT REVISION WILL BE SHOWN IN THE SYMBOL.
- 10 - LONGER LENGTH APPLICATIONS REQUIRE HOST SYSTEM PREMPHASIS AND/OR EQUALIZATION.
- 11 - UNLESS OTHERWISE SPECIFIED ASSEMBLED LENGTH TOLERANCE IS TO BE:  
<= 1 METER = ±25.0mm  
> 1 METER TO 10 METERS = ±2% OF "DIM L"
- 12 - "HF" PRODUCT NUMBERS DESIGNATE THE USE OF HALOGEN FREE RAW CABLE.
- 13 - HALOGEN FREE RAW CABLE CAN BE USED AS A SUBSTITUTE ON NON-HF PRODUCT NUMBERS.
- 14 - EEPROM INFORMATION REFERS TO THE SFF-8472.

- 15 - RAW CABLE IS OPTIONAL,WHICH HAD BEEN QUALIFIED BY FCI AND MEET THE LATEST FCI SPEC"GS-12-616

|             |                |            |                           |           |                        |          |              |      |
|-------------|----------------|------------|---------------------------|-----------|------------------------|----------|--------------|------|
| dr          | Deborah Ingram | 2009/12/18 | projection                | mm        | size                   | A3       | scale        | 3:10 |
| eng         | Michael Zhou   | 2015/05/13 |                           |           | ecn no ELX-N-20846-1   |          |              |      |
| chr         | -              | -          |                           |           | rel level Released     |          |              |      |
| appr        | Frank Mao      | 2015/05/13 | product family            | SFP+ PLUG | rev G                  |          |              |      |
|             |                |            | FINAL ASSEMBLY - STANDARD |           | dwg no                 | 10110818 |              | rev  |
| www.fci.com |                |            | SFP+ (PASSIVE) ASSEMBLY   |           | G                      |          |              |      |
| cat. no.    |                |            | -                         |           | Product - Customer Drw |          | sheet 5 of 5 |      |



Copyright FCI.

Компания «Life Electronics» занимается поставками электронных компонентов импортного и отечественного производства от производителей и со складов крупных дистрибьюторов Европы, Америки и Азии.

С конца 2013 года компания активно расширяет линейку поставок компонентов по направлению коаксиальный кабель, кварцевые генераторы и конденсаторы (керамические, пленочные, электролитические), за счёт заключения дистрибьюторских договоров

Мы предлагаем:

- Конкурентоспособные цены и скидки постоянным клиентам.
- Специальные условия для постоянных клиентов.
- Подбор аналогов.
- Поставку компонентов в любых объемах, удовлетворяющих вашим потребностям.
- Приемлемые сроки поставки, возможна ускоренная поставка.
- Доставку товара в любую точку России и стран СНГ.
- Комплексную поставку.
- Работу по проектам и поставку образцов.
- Формирование склада под заказчика.
- Сертификаты соответствия на поставляемую продукцию (по желанию клиента).
- Тестирование поставляемой продукции.
- Поставку компонентов, требующих военную и космическую приемку.
- Входной контроль качества.
- Наличие сертификата ISO.

В составе нашей компании организован Конструкторский отдел, призванный помогать разработчикам, и инженерам.

Конструкторский отдел помогает осуществить:

- Регистрацию проекта у производителя компонентов.
- Техническую поддержку проекта.
- Защиту от снятия компонента с производства.
- Оценку стоимости проекта по компонентам.
- Изготовление тестовой платы монтаж и пусконаладочные работы.



Тел: +7 (812) 336 43 04 (многоканальный)

Email: [org@lifeelectronics.ru](mailto:org@lifeelectronics.ru)