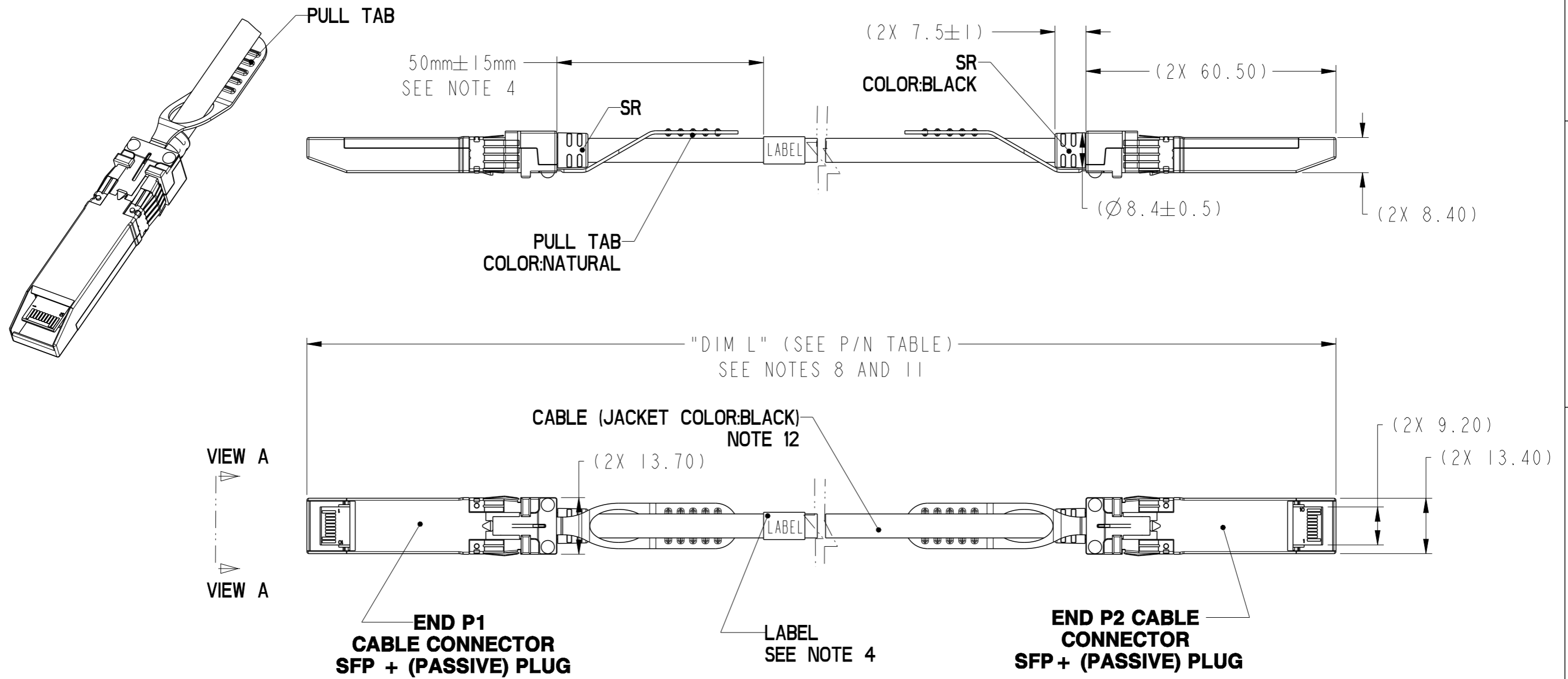


| Product number | DESCRIPTION | NOTES |
|-------------------|-------------------|------------|
| 10110818-XXXXLF | NON-HF | SEE SHT. 3 |
| 10110818-XXXXHFLF | HALOGEN FREE (HF) | SEE SHT. 4 |

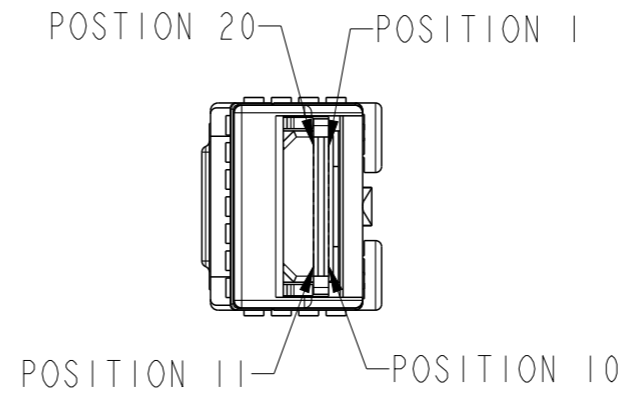


| | | | | | | | | |
|-------------|----------------|---|----------------|-----------|------------------------|-----------------|--------------|------|
| dr | Deborah Ingram | 2009/12/18 | projection | mm | size | A3 | scale | 3:10 |
| eng | Michael Zhou | 2015/05/13 | | | ecn no | ELX-N-20846-1 | | |
| chr | - | - | product family | SFP+ PLUG | rel level | Released | | |
| appr | Frank Mao | 2015/05/13 | | | | | | |
| | | FINAL ASSEMBLY - STANDARD SFP+ (PASSIVE) ASSEMBLY | | | dwg no 10110818 | rev G | | |
| www.fci.com | | cat. no. | - | | Product - Customer Drw | | sheet 1 of 5 | |

| Product number | DESCRIPTION | NOTES |
|-------------------|-------------------|------------|
| 10110818-XXXXLF | NON-HF | SEE SHT. 3 |
| 10110818-XXXXHFLF | HALOGEN FREE (HF) | SEE SHT. 4 |

| WIRING LIST (SEE NOTE 5) | | | | |
|--------------------------|--------|--|----------|--------|
| END P1 | | | END P2 | |
| POSITION | SYMBOL | | POSITION | SYMBOL |
| 12 | RD- | | 19 | TD- |
| 13 | RD+ | | 18 | TD+ |
| 18 | TD+ | | 13 | RD+ |
| 19 | TD- | | 12 | RD- |

| LOW SPEED SIGNALS P1 & P2 | |
|------------------------------|------------|
| END P1 | |
| POSITION | SYMBOL |
| 1 | VeeT |
| 2 | TX_Fault |
| 3 | Tx_Disable |
| 4 | MOD_DEF(2) |
| 5 | MOD_DEF(1) |
| 6 | MOD_DEF(0) |
| 7 | RateSelect |
| 8 | LOS |
| 9 | VeeR |
| 10 | VeeR |
| 11 | VeeR |
| 14 | VeeR |
| 15 | VccR |
| 16 | VccT |
| 17 | VeeT |
| 20 | VeeT |



VIEW A (P1)
SCALE 2:1

| | | | | | | | | |
|-------------|----------------|--|----------------|------------------------|--------------------|---------------|-------|------|
| dr | Deborah Ingram | 2009/12/18 | projection | mm | size | A3 | scale | 3:10 |
| eng | Michael Zhou | 2015/05/13 | | | ecn no | ELX-N-20846-1 | | |
| chr | - | - | | | rel level | Released | | |
| appr | Frank Mao | 2015/05/13 | product family | SFP+ PLUG | | | | |
| | | title FINAL ASSEMBLY - STANDARD SFP+ (PASSIVE) ASSEMBLY | | | dwg no 10110818 | rev G | | |
| www.fci.com | | cat. no. | - | Product - Customer Drw | | sheet 2 of 5 | | |



| PRODUCT NUMBER | LENGTH (Meters) "DIM L" | AWG | NOTES |
|-----------------|----------------------------|-----|--------------|
| 10110818-2005LF | 0.5 | 30 | NOTE 13 |
| 10110818-2010LF | 1.0 | 30 | |
| 10110818-2015LF | 1.5 | 30 | |
| 10110818-2020LF | 2.0 | 30 | |
| 10110818-2025LF | 2.5 | 30 | |
| 10110818-2030LF | 3.0 | 30 | |
| 10110818-2035LF | 3.5 | 30 | |
| 10110818-2040LF | 4.0 | 30 | |
| 10110818-3005LF | 0.5 | 28 | NOTE 13 |
| 10110818-3006LF | 0.6 | 28 | |
| 10110818-3010LF | 1.0 | 28 | |
| 10110818-3015LF | 1.5 | 28 | |
| 10110818-3020LF | 2.0 | 28 | |
| 10110818-3025LF | 2.5 | 28 | |
| 10110818-3030LF | 3.0 | 28 | |
| 10110818-3035LF | 3.5 | 28 | |
| 10110818-3040LF | 4.0 | 28 | |
| 10110818-3045LF | 4.5 | 28 | |
| 10110818-3050LF | 5.0 | 28 | |
| 10110818-4005LF | 0.5 | 26 | |
| 10110818-4010LF | 1.0 | 26 | NOTE 13 |
| 10110818-4015LF | 1.5 | 26 | NOTE 13 |
| 10110818-4020LF | 2.0 | 26 | NOTE 13 |
| 10110818-4025LF | 2.5 | 26 | NOTE 13 |
| 10110818-4030LF | 3.0 | 26 | NOTE 13 |
| 10110818-4035LF | 3.5 | 26 | NOTE 13 |
| 10110818-4040LF | 4.0 | 26 | NOTE 13 |
| 10110818-4045LF | 4.5 | 26 | NOTE 13 |
| 10110818-4050LF | 5.0 | 26 | NOTE 13 |
| 10110818-4055LF | 5.5 | 26 | NOTE 13 |
| 10110818-4060LF | 6.0 | 26 | NOTE 13 |
| 10110818-4065LF | 6.5 | 26 | NOTE 10 & 13 |
| 10110818-4070LF | 7.0 | 26 | NOTE 10 & 13 |

| PRODUCT NUMBER | LENGTH (Meters) "DIM L" | AWG | NOTES |
|-----------------|----------------------------|-----|--------------|
| 10110818-5005LF | 0.5 | 24 | NOTE 13 |
| 10110818-5010LF | 1.0 | 24 | NOTE 13 |
| 10110818-5015LF | 1.5 | 24 | NOTE 13 |
| 10110818-5020LF | 2.0 | 24 | NOTE 13 |
| 10110818-5025LF | 2.5 | 24 | NOTE 13 |
| 10110818-5030LF | 3.0 | 24 | NOTE 13 |
| 10110818-5035LF | 3.5 | 24 | NOTE 13 |
| 10110818-5040LF | 4.0 | 24 | NOTE 13 |
| 10110818-5045LF | 4.5 | 24 | NOTE 13 |
| 10110818-5050LF | 5.0 | 24 | NOTE 13 |
| 10110818-5055LF | 5.5 | 24 | NOTE 13 |
| 10110818-5060LF | 6.0 | 24 | NOTE 13 |
| 10110818-5065LF | 6.5 | 24 | NOTE 13 |
| 10110818-5070LF | 7.0 | 24 | NOTE 13 |
| 10110818-5075LF | 7.5 | 24 | NOTE 13 |
| 10110818-5080LF | 8.0 | 24 | NOTE 10 & 13 |
| 10110818-5085LF | 8.5 | 24 | NOTE 10 & 13 |
| 10110818-5090LF | 9.0 | 24 | NOTE 10 & 13 |
| 10110818-5095LF | 9.5 | 24 | NOTE 10 & 13 |
| 10110818-5100LF | 10.0 | 24 | NOTE 10 & 13 |

NON-HALOGEN FREE CABLE ASSEMBLY PART NUMBERS



Copyright FCI.

| | | | | | | | | |
|-------------|----------------|---|----------------|-----------|------------------------|-----------------|--------------|-----|
| dr | Deborah Ingram | 2009/12/18 | | mm | size | A3 | scale | 1:1 |
| eng | Michael Zhou | 2015/05/13 | | | ecn no | ELX-N-20846-1 | | |
| chr | - | - | | | rel level | Released | | |
| appr | Frank Mao | 2015/05/13 | product family | SFP+ PLUG | | | | |
| | | FINAL ASSEMBLY - STANDARD SFP+ (PASSIVE) ASSEMBLY | | | dwg no 10110818 | rev G | | |
| www.fci.com | | cat. no. | - | | Product - Customer Drw | | sheet 3 of 5 | |

| PRODUCT NUMBER | LENGTH (Meters) "DIM L" | AWG | NOTES |
|-------------------|----------------------------|-----|--------------|
| 10110818-2005HFLF | 0.5 | 30 | NOTE 12 |
| 10110818-2010HFLF | 1.0 | 30 | NOTE 12 |
| 10110818-2015HFLF | 1.5 | 30 | NOTE 12 |
| 10110818-2020HFLF | 2.0 | 30 | NOTE 12 |
| 10110818-2025HFLF | 2.5 | 30 | NOTE 12 |
| 10110818-2030HFLF | 3.0 | 30 | NOTE 12 |
| 10110818-2035HFLF | 3.5 | 30 | NOTE 12 |
| 10110818-2040HFLF | 4.0 | 30 | NOTE 12 |
| 10110818-3005HFLF | 0.5 | 28 | NOTE 12 |
| 10110818-3006HFLF | 0.6 | 28 | NOTE 12 |
| 10110818-3010HFLF | 1.0 | 28 | NOTE 12 |
| 10110818-3015HFLF | 1.5 | 28 | NOTE 12 |
| 10110818-3020HFLF | 2.0 | 28 | NOTE 12 |
| 10110818-3025HFLF | 2.5 | 28 | NOTE 12 |
| 10110818-3030HFLF | 3.0 | 28 | NOTE 12 |
| 10110818-3035HFLF | 3.5 | 28 | NOTE 12 |
| 10110818-3040HFLF | 4.0 | 28 | NOTE 12 |
| 10110818-3045HFLF | 4.5 | 28 | NOTE 12 |
| 10110818-3050HFLF | 5.0 | 28 | NOTE 12 |
| 10110818-4005HFLF | 0.5 | 26 | NOTE 12 |
| 10110818-4010HFLF | 1.0 | 26 | NOTE 12 |
| 10110818-4015HFLF | 1.5 | 26 | NOTE 12 |
| 10110818-4020HFLF | 2.0 | 26 | NOTE 12 |
| 10110818-4025HFLF | 2.5 | 26 | NOTE 12 |
| 10110818-4030HFLF | 3.0 | 26 | NOTE 12 |
| 10110818-4035HFLF | 3.5 | 26 | NOTE 12 |
| 10110818-4040HFLF | 4.0 | 26 | NOTE 12 |
| 10110818-4045HFLF | 4.5 | 26 | NOTE 12 |
| 10110818-4050HFLF | 5.0 | 26 | NOTE 12 |
| 10110818-4055HFLF | 5.5 | 26 | NOTE 12 |
| 10110818-4060HFLF | 6.0 | 26 | NOTE 12 |
| 10110818-4065HFLF | 6.5 | 26 | NOTE 10 & 12 |
| 10110818-4070HFLF | 7.0 | 26 | NOTE 10 & 12 |

| PRODUCT NUMBER | LENGTH (Meters) "DIM L" | AWG | NOTES |
|-------------------|----------------------------|-----|--------------|
| 10110818-5005HFLF | 0.5 | 24 | NOTE 12 |
| 10110818-5010HFLF | 1.0 | 24 | NOTE 12 |
| 10110818-5015HFLF | 1.5 | 24 | NOTE 12 |
| 10110818-5020HFLF | 2.0 | 24 | NOTE 12 |
| 10110818-5025HFLF | 2.5 | 24 | NOTE 12 |
| 10110818-5030HFLF | 3.0 | 24 | NOTE 12 |
| 10110818-5035HFLF | 3.5 | 24 | NOTE 12 |
| 10110818-5040HFLF | 4.0 | 24 | NOTE 12 |
| 10110818-5045HFLF | 4.5 | 24 | NOTE 12 |
| 10110818-5050HFLF | 5.0 | 24 | NOTE 12 |
| 10110818-5055HFLF | 5.5 | 24 | NOTE 12 |
| 10110818-5060HFLF | 6.0 | 24 | NOTE 12 |
| 10110818-5065HFLF | 6.5 | 24 | NOTE 12 |
| 10110818-5070HFLF | 7.0 | 24 | NOTE 12 |
| 10110818-5075HFLF | 7.5 | 24 | NOTE 12 |
| 10110818-5080HFLF | 8.0 | 24 | NOTE 10 & 12 |
| 10110818-5085HFLF | 8.5 | 24 | NOTE 10 & 12 |
| 10110818-5090HFLF | 9.0 | 24 | NOTE 10 & 12 |
| 10110818-5095HFLF | 9.5 | 24 | NOTE 10 & 12 |
| 10110818-5100HFLF | 10.0 | 24 | NOTE 10 & 12 |

HALOGEN FREE CABLE ASSEMBLY PART NUMBERS



Copyright FCI.

| | | | | | | | | |
|-------------|----------------|------------|----------------|-----------|------------------------|---------------------------|--------------|----------|
| dr | Deborah Ingram | 2009/12/18 | projection | mm | size | A3 | scale | 3:10 |
| eng | Michael Zhou | 2015/05/13 | | | ecn no | ELX-N-20846-1 | | |
| chr | - | - | product family | SFP+ PLUG | rel level | Released | | |
| appr | Frank Mao | 2015/05/13 | | | title | FINAL ASSEMBLY - STANDARD | dwg no | 10110818 |
| www.fci.com | | cat. no. | - | | Product - Customer Drw | | sheet 4 of 5 | |

| Product number | DESCRIPTION | NOTES |
|-------------------|-------------------|------------|
| 10110818-XXXXLF | NON-HF | SEE SHT. 3 |
| 10110818-XXXXHFLF | HALOGEN FREE (HF) | SEE SHT. 4 |

NOTES:

- 1 - MATERIAL:
BACKSHELLS: ZINC ALLOY/ COPPER UNDERPLATE/ NICKEL OVERPLATE
PULL TAB: THERMOPLASTIC POLYMER
RELEASE SPRING: STAINLESS STEEL
EMI GASKET: STAINLESS STEEL
SR: THERMOPLASTIC POLYAMIDES
SCREWS: STAINLESS STEEL
PADDLE CARD: PRINTED CIRCUIT SUBSTRATE
- 2 - THIS PRODUCT MEETS THE RESTRICTION OF HAZARDOUS SUBSTANCES IN ELECTRICAL AND ELECTRONIC EQUIPMENT (RoHS) DIRECTIVE (2011/65/EU)
- 3 - IMPEDANCE: 100 OHMS DIFFERENTIAL.

- 4 - UNLESS OTHERWISE SPECIFIED LABEL POSITION IS TO BE 50mm FROM REAR OF CONNECTOR.

LABEL DETAILS:

| | |
|-------------------------------|----------------|
| MANUFACTURER CODE OR NAME | COUNTRY ORIGIN |
| FCI P/N | |
| FCI CUSTOMER DRAWING REVISION | |
| FCI SERIAL NUMBER | |
| 2D BAR CODE OF SERIAL NUMBER | |

LABEL EXAMPLE

| |
|------------------|
| FCI CHINA |
| 10110818-2005LF |
| Rev. G |
| CN1324SA052L0001 |
| |

FONT SHALL BE CLEARLY VISIBLE AND BLACK IN COLOR.

FCI SERIAL NUMBER IS ONLY USED FOR TRACKING PRODUCT,DETAIL IS AS BELOW :

CN1324SA052L0001

| | |
|---------------------------------------|--|
| CN PRESENT MADE IN CHINA | SEQUENCE NUMBER(0001-9999) |
| YYWW(YEAR AND WEEK) | NON-HALOGEN FREE OR HALOGEN FREE(L IS NON-HALOGEN FREE TYPE OR H IS HALOGEN FREE TYPE) |
| PRESENT PRODUCT BASE NUMBER(USE "SA") | CABLE AWG(2 IS 30AWG,3 IS 28AWG,4 IS 26AWG,5 IS 24AWG) |
| | LENGTH(05 IS 0.5 METER,10 IS 1.0 METER,15 IS 1.5 METERS,ETC) |

- 5 - ALL CABLE ASSEMBLIES SHALL BE 100% TESTED FOR CONTINUITY AS DEFINED IN WIRING LIST.
- 6 - CONFORMS TO FCI PRODUCT SPECIFICATION: GS-12-616.
- 7 - PACKAGING OF LEAD FREE PRODUCTS MEETS LABELING AND PACKAGING PER SPECIFICATION GS-14-920. PACKAGE CABLE ASSEMBLIES PER GS-14-1272. DUST CAPS ARE TO BE ASSEMBLED PRIOR TO PACKING.
- 8 - THIS DIMENSION IS A FINISHED PRODUCT LENGTH.
- 9 - A "△" SYMBOL WILL BE NEXT TO ANY DIMENSION, VIEW, OR NOTE WHICH HAS BEEN MODIFIED WITH THE CURRENT DRAWING REVISION. THE CURRENT REVISION WILL BE SHOWN IN THE SYMBOL.
- 10 - LONGER LENGTH APPLICATIONS REQUIRE HOST SYSTEM PREMPHASIS AND/OR EQUALIZATION.
- 11 - UNLESS OTHERWISE SPECIFIED ASSEMBLED LENGTH TOLERANCE IS TO BE:
<= 1 METER = ±25.0mm
> 1 METER TO 10 METERS = ±2% OF "DIM L"
- 12 - "HF" PRODUCT NUMBERS DESIGNATE THE USE OF HALOGEN FREE RAW CABLE.
- 13 - HALOGEN FREE RAW CABLE CAN BE USED AS A SUBSTITUTE ON NON-HF PRODUCT NUMBERS.
- 14 - EEPROM INFORMATION REFERS TO THE SFF-8472.

- 15 - RAW CABLE IS OPTIONAL,WHICH HAD BEEN QUALIFIED BY FCI AND MEET THE LATEST FCI SPEC"GS-12-616

| | | | | | | | | | |
|-------------|----------------|------------|---|-----------|------------------------|---------------|-------|--------------|---|
| dr | Deborah Ingram | 2009/12/18 | projection | mm | size | A3 | scale | 3:10 | |
| eng | Michael Zhou | 2015/05/13 | | | ecn no | ELX-N-20846-1 | | | |
| chr | - | - | | | rel level | Released | | | |
| appr | Frank Mao | 2015/05/13 | product family | SFP+ PLUG | rel level | Released | | | |
| | | | FINAL ASSEMBLY - STANDARD SFP+ (PASSIVE) ASSEMBLY | | dwg no | 10110818 | | rev | G |
| www.fci.com | | | cat. no. | - | Product - Customer Drw | | | sheet 5 of 5 | |



Copyright FCI.

Компания «Life Electronics» занимается поставками электронных компонентов импортного и отечественного производства от производителей и со складов крупных дистрибьюторов Европы, Америки и Азии.

С конца 2013 года компания активно расширяет линейку поставок компонентов по направлению коаксиальный кабель, кварцевые генераторы и конденсаторы (керамические, пленочные, электролитические), за счёт заключения дистрибьюторских договоров

Мы предлагаем:

- Конкурентоспособные цены и скидки постоянным клиентам.
- Специальные условия для постоянных клиентов.
- Подбор аналогов.
- Поставку компонентов в любых объемах, удовлетворяющих вашим потребностям.
- Приемлемые сроки поставки, возможна ускоренная поставка.
- Доставку товара в любую точку России и стран СНГ.
- Комплексную поставку.
- Работу по проектам и поставку образцов.
- Формирование склада под заказчика.
- Сертификаты соответствия на поставляемую продукцию (по желанию клиента).
- Тестирование поставляемой продукции.
- Поставку компонентов, требующих военную и космическую приемку.
- Входной контроль качества.
- Наличие сертификата ISO.

В составе нашей компании организован Конструкторский отдел, призванный помогать разработчикам, и инженерам.

Конструкторский отдел помогает осуществить:

- Регистрацию проекта у производителя компонентов.
- Техническую поддержку проекта.
- Защиту от снятия компонента с производства.
- Оценку стоимости проекта по компонентам.
- Изготовление тестовой платы монтаж и пусконаладочные работы.



Тел: +7 (812) 336 43 04 (многоканальный)
Email: org@lifeelectronics.ru