

| Product number    | DESCRIPTION       | NOTES      |
|-------------------|-------------------|------------|
| 10110818-XXXXLF   | NON-HF            | SEE SHT. 3 |
| 10110818-XXXXHFLF | HALOGEN FREE (HF) | SEE SHT. 4 |

A

B

C

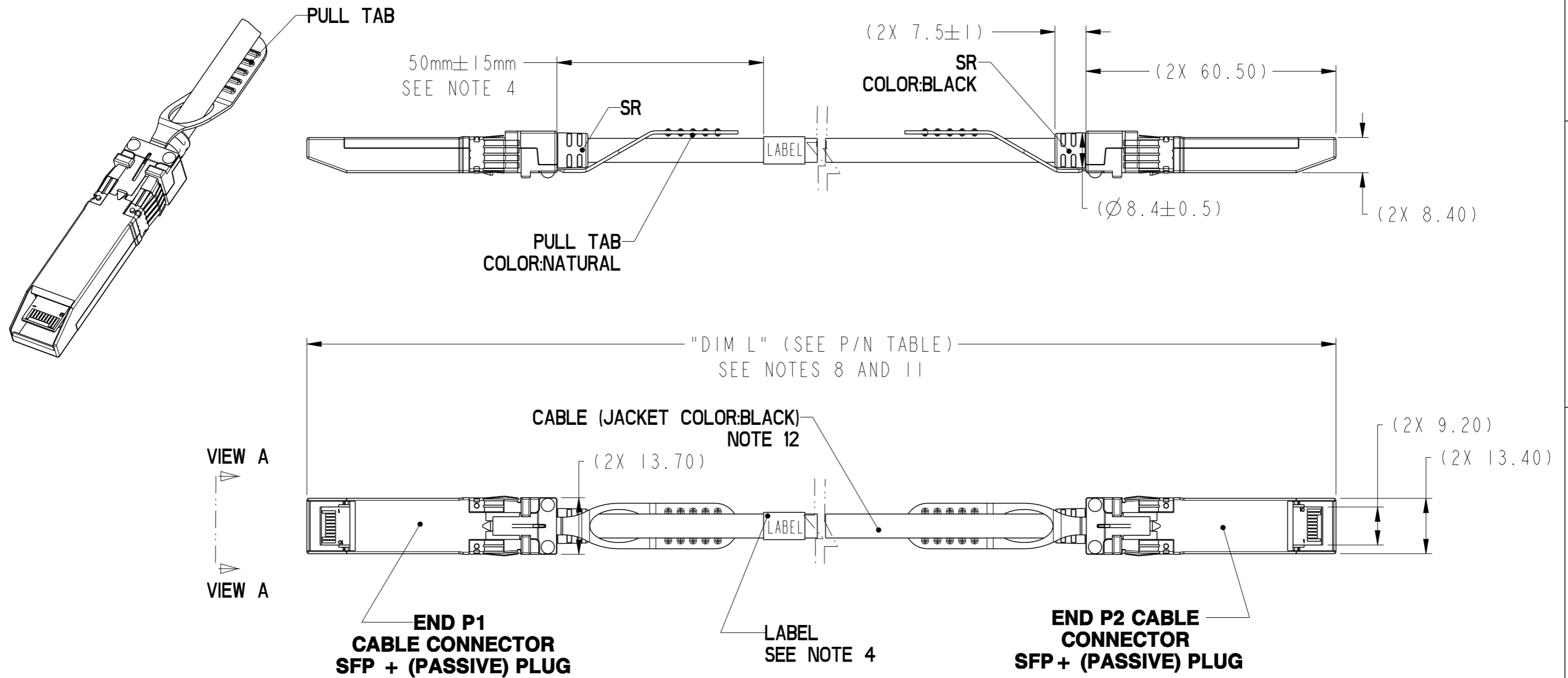
D

A

B

C

D



Copyright FCI.

|             |                |   |                |           |                             |                 |              |      |
|-------------|----------------|---|----------------|-----------|-----------------------------|-----------------|--------------|------|
| dr          | Deborah Ingram | 2009/12/18  | projection     | mm        | size                        | A3              | scale        | 3:10 |
| eng         | Michael Zhou   | 2015/05/13  |                |           | ecn no                      | ELX-N-20846-1   |              |      |
| chr         | -              | -   |                |           | rel level                   | Released        |              |      |
| appr        | Frank Mao      | 2015/05/13  | product family | SFP+ PLUG |                             |                 |              |      |
|             |                | <b>FINAL ASSEMBLY - STANDARD</b><br>SFP+ (PASSIVE) ASSEMBLY |                |           | title<br>dwg no<br>10110818 | rev<br><b>G</b> |              |      |
| www.fci.com |                | cat. no.  | -              |           | Product - Customer Drw      |                 | sheet 1 of 5 |      |

| Product number    | DESCRIPTION       | NOTES      |
|-------------------|-------------------|------------|
| 10110818-XXXXLF   | NON-HF            | SEE SHT. 3 |
| 10110818-XXXXHFLF | HALOGEN FREE (HF) | SEE SHT. 4 |

| WIRING LIST (SEE NOTE 5) |        |  |          |        |
|--------------------------|--------|--|----------|--------|
| END P1                   |        |  | END P2   |        |
| POSITION                 | SYMBOL |  | POSITION | SYMBOL |
| 12                       | RD-    |  | 19       | TD-    |
| 13                       | RD+    |  | 18       | TD+    |
| 18                       | TD+    |  | 13       | RD+    |
| 19                       | TD-    |  | 12       | RD-    |

| LOW SPEED SIGNALS<br>P1 & P2 |            |
|------------------------------|------------|
| END P1                       |            |
| POSITION                     | SYMBOL     |
| 1                            | VeeT       |
| 2                            | TX_Fault   |
| 3                            | Tx_Disable |
| 4                            | MOD_DEF(2) |
| 5                            | MOD_DEF(1) |
| 6                            | MOD_DEF(0) |
| 7                            | RateSelect |
| 8                            | LOS        |
| 9                            | VeeR       |
| 10                           | VeeR       |
| 11                           | VeeR       |
| 14                           | VeeR       |
| 15                           | VccR       |
| 16                           | VccT       |
| 17                           | VeeT       |
| 20                           | VeeT       |



**VIEW A (P1)**  
**SCALE 2:1**

|             |                |   |                |                        |                 |               |       |      |
|-------------|----------------|---|----------------|------------------------|-----------------|---------------|-------|------|
| dr          | Deborah Ingram | 2009/12/18  | projection<br> | mm<br>                 | size            | A3            | scale | 3:10 |
| eng         | Michael Zhou   | 2015/05/13  |                |                        | ecn no          | ELX-N-20846-1 |       |      |
| chr         | -              | -   |                |                        | rel level       | Released      |       |      |
| appr        | Frank Mao      | 2015/05/13  | product family | SFP+ PLUG              |                 |               |       |      |
|             |                | title<br>FINAL ASSEMBLY - STANDARD<br>SFP+ (PASSIVE) ASSEMBLY |                | dwg no<br>10110818     | rev<br><b>G</b> |               |       |      |
| www.fci.com |                | cat. no.  | -              | Product - Customer Drw |                 | sheet 2 of 5  |       |      |

| PRODUCT NUMBER  | LENGTH (Meters)<br>"DIM L" | AWG | NOTES        |
|-----------------|----------------------------|-----|--------------|
| 10110818-2005LF | 0.5                        | 30  | NOTE 13      |
| 10110818-2010LF | 1.0                        | 30  |              |
| 10110818-2015LF | 1.5                        | 30  |              |
| 10110818-2020LF | 2.0                        | 30  |              |
| 10110818-2025LF | 2.5                        | 30  |              |
| 10110818-2030LF | 3.0                        | 30  |              |
| 10110818-2035LF | 3.5                        | 30  |              |
| 10110818-2040LF | 4.0                        | 30  |              |
| 10110818-3005LF | 0.5                        | 28  | NOTE 13      |
| 10110818-3006LF | 0.6                        | 28  |              |
| 10110818-3010LF | 1.0                        | 28  |              |
| 10110818-3015LF | 1.5                        | 28  |              |
| 10110818-3020LF | 2.0                        | 28  |              |
| 10110818-3025LF | 2.5                        | 28  |              |
| 10110818-3030LF | 3.0                        | 28  |              |
| 10110818-3035LF | 3.5                        | 28  |              |
| 10110818-3040LF | 4.0                        | 28  |              |
| 10110818-3045LF | 4.5                        | 28  |              |
| 10110818-3050LF | 5.0                        | 28  |              |
| 10110818-4005LF | 0.5                        | 26  |              |
| 10110818-4010LF | 1.0                        | 26  | NOTE 13      |
| 10110818-4015LF | 1.5                        | 26  | NOTE 13      |
| 10110818-4020LF | 2.0                        | 26  | NOTE 13      |
| 10110818-4025LF | 2.5                        | 26  | NOTE 13      |
| 10110818-4030LF | 3.0                        | 26  | NOTE 13      |
| 10110818-4035LF | 3.5                        | 26  | NOTE 13      |
| 10110818-4040LF | 4.0                        | 26  | NOTE 13      |
| 10110818-4045LF | 4.5                        | 26  | NOTE 13      |
| 10110818-4050LF | 5.0                        | 26  | NOTE 13      |
| 10110818-4055LF | 5.5                        | 26  | NOTE 13      |
| 10110818-4060LF | 6.0                        | 26  | NOTE 13      |
| 10110818-4065LF | 6.5                        | 26  | NOTE 10 & 13 |
| 10110818-4070LF | 7.0                        | 26  | NOTE 10 & 13 |

| PRODUCT NUMBER  | LENGTH (Meters)<br>"DIM L" | AWG | NOTES        |
|-----------------|----------------------------|-----|--------------|
| 10110818-5005LF | 0.5                        | 24  | NOTE 13      |
| 10110818-5010LF | 1.0                        | 24  | NOTE 13      |
| 10110818-5015LF | 1.5                        | 24  | NOTE 13      |
| 10110818-5020LF | 2.0                        | 24  | NOTE 13      |
| 10110818-5025LF | 2.5                        | 24  | NOTE 13      |
| 10110818-5030LF | 3.0                        | 24  | NOTE 13      |
| 10110818-5035LF | 3.5                        | 24  | NOTE 13      |
| 10110818-5040LF | 4.0                        | 24  | NOTE 13      |
| 10110818-5045LF | 4.5                        | 24  | NOTE 13      |
| 10110818-5050LF | 5.0                        | 24  | NOTE 13      |
| 10110818-5055LF | 5.5                        | 24  | NOTE 13      |
| 10110818-5060LF | 6.0                        | 24  | NOTE 13      |
| 10110818-5065LF | 6.5                        | 24  | NOTE 13      |
| 10110818-5070LF | 7.0                        | 24  | NOTE 13      |
| 10110818-5075LF | 7.5                        | 24  | NOTE 13      |
| 10110818-5080LF | 8.0                        | 24  | NOTE 10 & 13 |
| 10110818-5085LF | 8.5                        | 24  | NOTE 10 & 13 |
| 10110818-5090LF | 9.0                        | 24  | NOTE 10 & 13 |
| 10110818-5095LF | 9.5                        | 24  | NOTE 10 & 13 |
| 10110818-5100LF | 10.0                       | 24  | NOTE 10 & 13 |

## NON-HALOGEN FREE CABLE ASSEMBLY PART NUMBERS



Copyright FCI.

|             |                |   |                |           |                        |               |       |              |  |
|-------------|----------------|---|----------------|-----------|------------------------|---------------|-------|--------------|--|
| dr          | Deborah Ingram | 2009/12/18  | projection<br> | mm<br>    | size                   | A3            | scale | 1:1          |  |
| eng         | Michael Zhou   | 2015/05/13  |                |           | ecn no                 | ELX-N-20846-1 |       |              |  |
| chr         | -              | -   |                |           | rel level              | Released      |       |              |  |
| appr        | Frank Mao      | 2015/05/13  | product family | SFP+ PLUG |                        |               |       |              |  |
|             |                | title<br>FINAL ASSEMBLY - STANDARD<br>SFP+ (PASSIVE) ASSEMBLY |                |           | dwg no<br>10110818     | rev<br>G      |       |              |  |
| www.fci.com |                | cat. no.  | -              |           | Product - Customer Drw |               |       | sheet 3 of 5 |  |

| PRODUCT NUMBER    | LENGTH (Meters)<br>"DIM L" | AWG | NOTES        |
|-------------------|----------------------------|-----|--------------|
| 10110818-2005HFLF | 0.5                        | 30  | NOTE 12      |
| 10110818-2010HFLF | 1.0                        | 30  | NOTE 12      |
| 10110818-2015HFLF | 1.5                        | 30  | NOTE 12      |
| 10110818-2020HFLF | 2.0                        | 30  | NOTE 12      |
| 10110818-2025HFLF | 2.5                        | 30  | NOTE 12      |
| 10110818-2030HFLF | 3.0                        | 30  | NOTE 12      |
| 10110818-2035HFLF | 3.5                        | 30  | NOTE 12      |
| 10110818-2040HFLF | 4.0                        | 30  | NOTE 12      |
| 10110818-3005HFLF | 0.5                        | 28  | NOTE 12      |
| 10110818-3006HFLF | 0.6                        | 28  | NOTE 12      |
| 10110818-3010HFLF | 1.0                        | 28  | NOTE 12      |
| 10110818-3015HFLF | 1.5                        | 28  | NOTE 12      |
| 10110818-3020HFLF | 2.0                        | 28  | NOTE 12      |
| 10110818-3025HFLF | 2.5                        | 28  | NOTE 12      |
| 10110818-3030HFLF | 3.0                        | 28  | NOTE 12      |
| 10110818-3035HFLF | 3.5                        | 28  | NOTE 12      |
| 10110818-3040HFLF | 4.0                        | 28  | NOTE 12      |
| 10110818-3045HFLF | 4.5                        | 28  | NOTE 12      |
| 10110818-3050HFLF | 5.0                        | 28  | NOTE 12      |
| 10110818-4005HFLF | 0.5                        | 26  | NOTE 12      |
| 10110818-4010HFLF | 1.0                        | 26  | NOTE 12      |
| 10110818-4015HFLF | 1.5                        | 26  | NOTE 12      |
| 10110818-4020HFLF | 2.0                        | 26  | NOTE 12      |
| 10110818-4025HFLF | 2.5                        | 26  | NOTE 12      |
| 10110818-4030HFLF | 3.0                        | 26  | NOTE 12      |
| 10110818-4035HFLF | 3.5                        | 26  | NOTE 12      |
| 10110818-4040HFLF | 4.0                        | 26  | NOTE 12      |
| 10110818-4045HFLF | 4.5                        | 26  | NOTE 12      |
| 10110818-4050HFLF | 5.0                        | 26  | NOTE 12      |
| 10110818-4055HFLF | 5.5                        | 26  | NOTE 12      |
| 10110818-4060HFLF | 6.0                        | 26  | NOTE 12      |
| 10110818-4065HFLF | 6.5                        | 26  | NOTE 10 & 12 |
| 10110818-4070HFLF | 7.0                        | 26  | NOTE 10 & 12 |

| PRODUCT NUMBER    | LENGTH (Meters)<br>"DIM L" | AWG | NOTES        |
|-------------------|----------------------------|-----|--------------|
| 10110818-5005HFLF | 0.5                        | 24  | NOTE 12      |
| 10110818-5010HFLF | 1.0                        | 24  | NOTE 12      |
| 10110818-5015HFLF | 1.5                        | 24  | NOTE 12      |
| 10110818-5020HFLF | 2.0                        | 24  | NOTE 12      |
| 10110818-5025HFLF | 2.5                        | 24  | NOTE 12      |
| 10110818-5030HFLF | 3.0                        | 24  | NOTE 12      |
| 10110818-5035HFLF | 3.5                        | 24  | NOTE 12      |
| 10110818-5040HFLF | 4.0                        | 24  | NOTE 12      |
| 10110818-5045HFLF | 4.5                        | 24  | NOTE 12      |
| 10110818-5050HFLF | 5.0                        | 24  | NOTE 12      |
| 10110818-5055HFLF | 5.5                        | 24  | NOTE 12      |
| 10110818-5060HFLF | 6.0                        | 24  | NOTE 12      |
| 10110818-5065HFLF | 6.5                        | 24  | NOTE 12      |
| 10110818-5070HFLF | 7.0                        | 24  | NOTE 12      |
| 10110818-5075HFLF | 7.5                        | 24  | NOTE 12      |
| 10110818-5080HFLF | 8.0                        | 24  | NOTE 10 & 12 |
| 10110818-5085HFLF | 8.5                        | 24  | NOTE 10 & 12 |
| 10110818-5090HFLF | 9.0                        | 24  | NOTE 10 & 12 |
| 10110818-5095HFLF | 9.5                        | 24  | NOTE 10 & 12 |
| 10110818-5100HFLF | 10.0                       | 24  | NOTE 10 & 12 |

### HALOGEN FREE CABLE ASSEMBLY PART NUMBERS



Copyright FCI.

|             |                |                                  |                |                    |                        |               |              |      |
|-------------|----------------|----------------------------------|----------------|--------------------|------------------------|---------------|--------------|------|
| dr          | Deborah Ingram | 2009/12/18                       | projection     | mm                 | size                   | A3            | scale        | 3:10 |
| eng         | Michael Zhou   | 2015/05/13                       |                |                    | ecn no                 | ELX-N-20846-1 |              |      |
| chr         | -              | -                                | product family | SFP+ PLUG          | rel level              | Released      |              |      |
| appr        | Frank Mao      | 2015/05/13                       |                |                    |                        |               |              |      |
|             |                | <b>FINAL ASSEMBLY - STANDARD</b> |                | dwg no<br>10110818 | rev<br><b>G</b>        |               |              |      |
| www.fci.com |                | cat. no.                         | -              |                    | Product - Customer Drw |               | sheet 4 of 5 |      |

| Product number    | DESCRIPTION       | NOTES      |
|-------------------|-------------------|------------|
| 10110818-XXXXLF   | NON-HF            | SEE SHT. 3 |
| 10110818-XXXXHFLF | HALOGEN FREE (HF) | SEE SHT. 4 |

NOTES:

- 1 - MATERIAL:  
BACKSHELLS: ZINC ALLOY/ COPPER UNDERPLATE/ NICKEL OVERPLATE  
PULL TAB: THERMOPLASTIC POLYMER  
RELEASE SPRING: STAINLESS STEEL  
EMI GASKET: STAINLESS STEEL  
SR: THERMOPLASTIC POLYAMIDES  
SCREWS: STAINLESS STEEL  
PADDLE CARD: PRINTED CIRCUIT SUBSTRATE
- 2 - THIS PRODUCT MEETS THE RESTRICTION OF HAZARDOUS SUBSTANCES IN ELECTRICAL AND ELECTRONIC EQUIPMENT (RoHS) DIRECTIVE (2011/65/EU)
- 3 - IMPEDANCE: 100 OHMS DIFFERENTIAL.

- 4 - UNLESS OTHERWISE SPECIFIED LABEL POSITION IS TO BE 50mm FROM REAR OF CONNECTOR.

LABEL DETAILS:

MANUFACTURER CODE OR NAME COUNTRY ORIGIN  
FCI P/N  
FCI CUSTOMER DRAWING REVISION  
FCI SERIAL NUMBER  
2D BAR CODE OF SERIAL NUMBER

LABEL EXAMPLE

FCI CHINA  
10110818-2005LF  
Rev. G  
CN1324SA052L0001

FONT SHALL BE CLEARLY VISIBLE AND BLACK IN COLOR.

FCI SERIAL NUMBER IS ONLY USED FOR TRACKING PRODUCT,DETAIL IS AS BELOW :

CN1324SA052L0001

CN PRESENT MADE IN CHINA  
YYWW(YEAR AND WEEK)  
PRESENT PRODUCT BASE NUMBER(USE "SA")

SEQUENCE NUMBER(0001-9999)  
NON-HALOGEN FREE OR HALOGEN FREE(L IS NON-HALOGEN FREE TYPE OR H IS HALOGEN FREE TYPE)  
CABLE AWG(2 IS 30AWG,3 IS 28AWG,4 IS 26AWG,5 IS 24AWG)  
LENGTH(05 IS 0.5 METER,10 IS 1.0 METER,15 IS 1.5 METERS,ETC)

- 5 - ALL CABLE ASSEMBLIES SHALL BE 100% TESTED FOR CONTINUITY AS DEFINED IN WIRING LIST.
- 6 - CONFORMS TO FCI PRODUCT SPECIFICATION: GS-12-616.
- 7 - PACKAGING OF LEAD FREE PRODUCTS MEETS LABELING AND PACKAGING PER SPECIFICATION GS-14-920. PACKAGE CABLE ASSEMBLIES PER GS-14-1272. DUST CAPS ARE TO BE ASSEMBLED PRIOR TO PACKING.
- 8 - THIS DIMENSION IS A FINISHED PRODUCT LENGTH.
- 9 - A "△" SYMBOL WILL BE NEXT TO ANY DIMENSION, VIEW, OR NOTE WHICH HAS BEEN MODIFIED WITH THE CURRENT DRAWING REVISION. THE CURRENT REVISION WILL BE SHOWN IN THE SYMBOL.
- 10 - LONGER LENGTH APPLICATIONS REQUIRE HOST SYSTEM PREMPHASIS AND/OR EQUALIZATION.
- 11 - UNLESS OTHERWISE SPECIFIED ASSEMBLED LENGTH TOLERANCE IS TO BE:  
<= 1 METER = ±25.0mm  
> 1 METER TO 10 METERS = ±2% OF "DIM L"
- 12 - "HF" PRODUCT NUMBERS DESIGNATE THE USE OF HALOGEN FREE RAW CABLE.
- 13 - HALOGEN FREE RAW CABLE CAN BE USED AS A SUBSTITUTE ON NON-HF PRODUCT NUMBERS.
- 14 - EEPROM INFORMATION REFERS TO THE SFF-8472.

- 15 - RAW CABLE IS OPTIONAL,WHICH HAD BEEN QUALIFIED BY FCI AND MEET THE LATEST FCI SPEC"GS-12-616

|             |                |            |                           |           |                        |          |       |              |   |
|-------------|----------------|------------|---------------------------|-----------|------------------------|----------|-------|--------------|---|
| dr          | Deborah Ingram | 2009/12/18 | projection                | mm        | size                   | A3       | scale | 3:10         |   |
| eng         | Michael Zhou   | 2015/05/13 |                           |           | ecn no ELX-N-20846-1   |          |       |              |   |
| chr         | -              | -          |                           |           | rel level Released     |          |       |              |   |
| appr        | Frank Mao      | 2015/05/13 | product family            | SFP+ PLUG | rel level Released     |          |       |              |   |
|             |                |            | FINAL ASSEMBLY - STANDARD |           | dwg no                 | 10110818 |       | rev          | G |
| www.fci.com |                |            | cat. no.                  | -         | Product - Customer Drw |          |       | sheet 5 of 5 |   |

Компания «Life Electronics» занимается поставками электронных компонентов импортного и отечественного производства от производителей и со складов крупных дистрибьюторов Европы, Америки и Азии.

С конца 2013 года компания активно расширяет линейку поставок компонентов по направлению коаксиальный кабель, кварцевые генераторы и конденсаторы (керамические, пленочные, электролитические), за счёт заключения дистрибьюторских договоров

Мы предлагаем:

- Конкурентоспособные цены и скидки постоянным клиентам.
- Специальные условия для постоянных клиентов.
- Подбор аналогов.
- Поставку компонентов в любых объемах, удовлетворяющих вашим потребностям.
- Приемлемые сроки поставки, возможна ускоренная поставка.
- Доставку товара в любую точку России и стран СНГ.
- Комплексную поставку.
- Работу по проектам и поставку образцов.
- Формирование склада под заказчика.
- Сертификаты соответствия на поставляемую продукцию (по желанию клиента).
- Тестирование поставляемой продукции.
- Поставку компонентов, требующих военную и космическую приемку.
- Входной контроль качества.
- Наличие сертификата ISO.

В составе нашей компании организован Конструкторский отдел, призванный помогать разработчикам, и инженерам.

Конструкторский отдел помогает осуществить:

- Регистрацию проекта у производителя компонентов.
- Техническую поддержку проекта.
- Защиту от снятия компонента с производства.
- Оценку стоимости проекта по компонентам.
- Изготовление тестовой платы монтаж и пусконаладочные работы.



Тел: +7 (812) 336 43 04 (многоканальный)  
Email: [org@lifeelectronics.ru](mailto:org@lifeelectronics.ru)