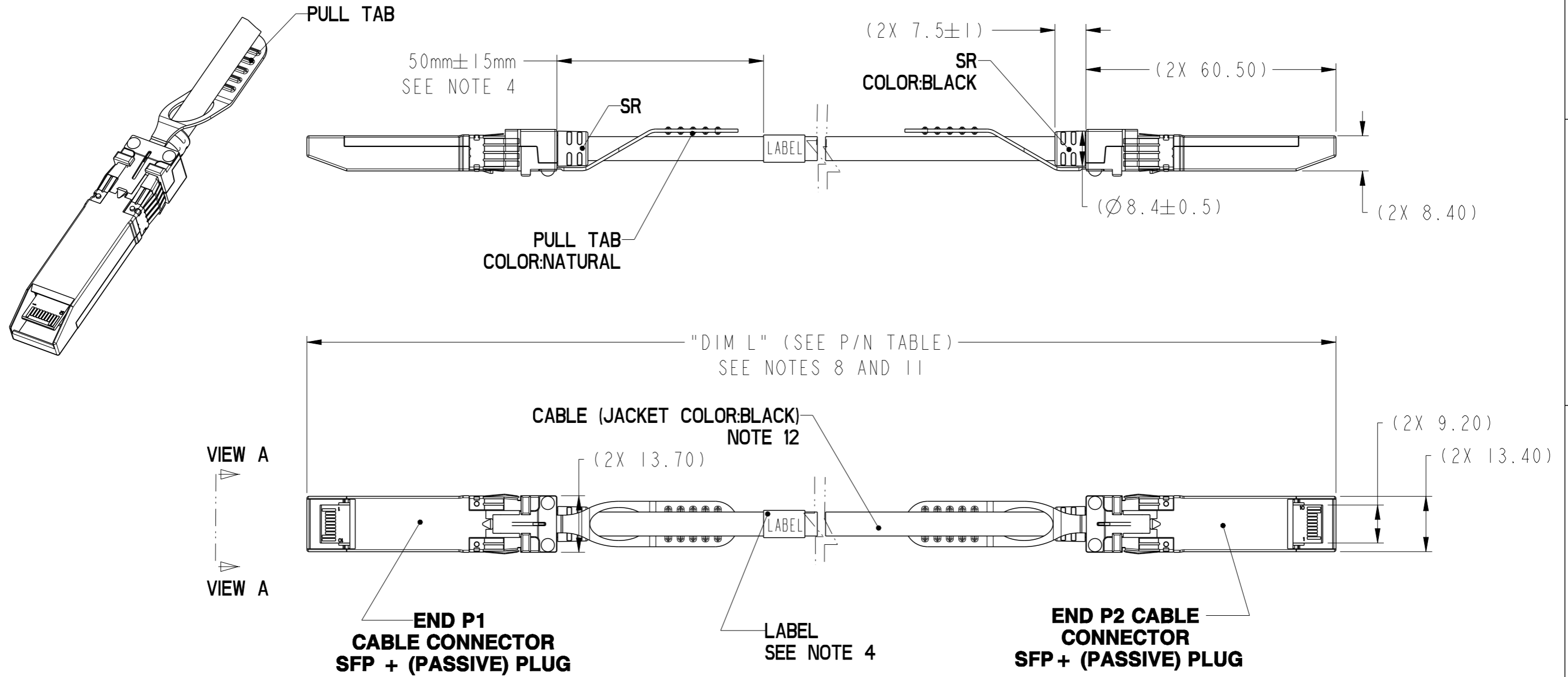


Product number	DESCRIPTION	NOTES
10110818-XXXXLF	NON-HF	SEE SHT. 3
10110818-XXXXHFLF	HALOGEN FREE (HF)	SEE SHT. 4



dr	Deborah Ingram	2009/12/18	projection	mm	size	A3	scale	3:10
eng	Michael Zhou	2015/05/13			ecn no	ELX-N-20846-1		
chr	-	-			rel level	Released		
appr	Frank Mao	2015/05/13	product family	SFP+ PLUG				
			title	FINAL ASSEMBLY - STANDARD		dwg no	10110818	
www.fci.com			cat. no.	-		Product - Customer Drw	sheet 1 of 5	
			rev	G				

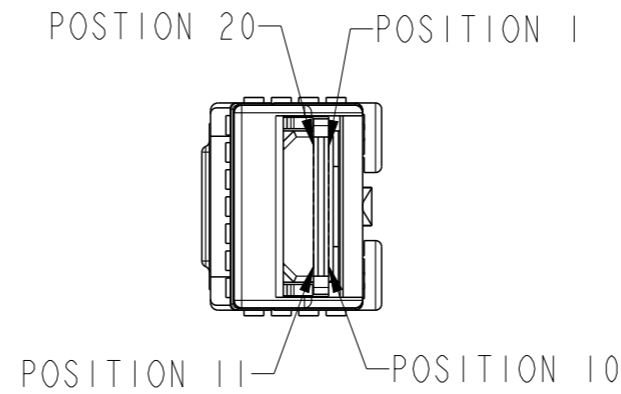


Copyright FCI.

Product number	DESCRIPTION	NOTES
10110818-XXXXLF	NON-HF	SEE SHT. 3
10110818-XXXXHFLF	HALOGEN FREE (HF)	SEE SHT. 4

WIRING LIST (SEE NOTE 5)				
END P1			END P2	
POSITION	SYMBOL		POSITION	SYMBOL
12	RD-	←-----○	19	TD-
13	RD+	←-----○	18	TD+
18	TD+	-----○→	13	RD+
19	TD-	-----○→	12	RD-

LOW SPEED SIGNALS P1 & P2	
END P1	
POSITION	SYMBOL
1	VeeT
2	TX_Fault
3	Tx_Disable
4	MOD_DEF(2)
5	MOD_DEF(1)
6	MOD_DEF(0)
7	RateSelect
8	LOS
9	VeeR
10	VeeR
11	VeeR
14	VeeR
15	VccR
16	VccT
17	VeeT
20	VeeT



VIEW A (P1)
SCALE 2:1

dr	Deborah Ingram	2009/12/18	projection 	mm ←-----→	size	A3	scale	3:10		
eng	Michael Zhou	2015/05/13			ecn no	ELX-N-20846-1				
chr	-	-			rel level	Released				
appr	Frank Mao	2015/05/13	product family	SFP+ PLUG						
		title			FINAL ASSEMBLY - STANDARD	dwg no		10110818	rev	G
www.fci.com		cat. no.			-	Product - Customer Drw			sheet 2 of 5	



PRODUCT NUMBER	LENGTH (Meters) "DIM L"	AWG	NOTES
10110818-2005LF	0.5	30	NOTE 13
10110818-2010LF	1.0	30	
10110818-2015LF	1.5	30	
10110818-2020LF	2.0	30	
10110818-2025LF	2.5	30	
10110818-2030LF	3.0	30	
10110818-2035LF	3.5	30	
10110818-2040LF	4.0	30	
10110818-3005LF	0.5	28	NOTE 13
10110818-3006LF	0.6	28	
10110818-3010LF	1.0	28	
10110818-3015LF	1.5	28	
10110818-3020LF	2.0	28	
10110818-3025LF	2.5	28	
10110818-3030LF	3.0	28	
10110818-3035LF	3.5	28	
10110818-3040LF	4.0	28	
10110818-3045LF	4.5	28	
10110818-3050LF	5.0	28	
10110818-4005LF	0.5	26	
10110818-4010LF	1.0	26	NOTE 13
10110818-4015LF	1.5	26	NOTE 13
10110818-4020LF	2.0	26	NOTE 13
10110818-4025LF	2.5	26	NOTE 13
10110818-4030LF	3.0	26	NOTE 13
10110818-4035LF	3.5	26	NOTE 13
10110818-4040LF	4.0	26	NOTE 13
10110818-4045LF	4.5	26	NOTE 13
10110818-4050LF	5.0	26	NOTE 13
10110818-4055LF	5.5	26	NOTE 13
10110818-4060LF	6.0	26	NOTE 13
10110818-4065LF	6.5	26	NOTE 10 & 13
10110818-4070LF	7.0	26	NOTE 10 & 13

PRODUCT NUMBER	LENGTH (Meters) "DIM L"	AWG	NOTES
10110818-5005LF	0.5	24	NOTE 13
10110818-5010LF	1.0	24	NOTE 13
10110818-5015LF	1.5	24	NOTE 13
10110818-5020LF	2.0	24	NOTE 13
10110818-5025LF	2.5	24	NOTE 13
10110818-5030LF	3.0	24	NOTE 13
10110818-5035LF	3.5	24	NOTE 13
10110818-5040LF	4.0	24	NOTE 13
10110818-5045LF	4.5	24	NOTE 13
10110818-5050LF	5.0	24	NOTE 13
10110818-5055LF	5.5	24	NOTE 13
10110818-5060LF	6.0	24	NOTE 13
10110818-5065LF	6.5	24	NOTE 13
10110818-5070LF	7.0	24	NOTE 13
10110818-5075LF	7.5	24	NOTE 13
10110818-5080LF	8.0	24	NOTE 10 & 13
10110818-5085LF	8.5	24	NOTE 10 & 13
10110818-5090LF	9.0	24	NOTE 10 & 13
10110818-5095LF	9.5	24	NOTE 10 & 13
10110818-5100LF	10.0	24	NOTE 10 & 13

NON-HALOGEN FREE CABLE ASSEMBLY PART NUMBERS



Copyright FCI.

dr	Deborah Ingram	2009/12/18	projection 	mm 	size	A3	scale	1:1
eng	Michael Zhou	2015/05/13			ecn no	ELX-N-20846-1		
chr	-	-			rel level	Released		
appr	Frank Mao	2015/05/13	product family	SFP+ PLUG				
		title FINAL ASSEMBLY - STANDARD SFP+ (PASSIVE) ASSEMBLY		dwg no 10110818	rev G			
www.fci.com		cat. no.	-	Product - Customer Drw	sheet 3 of 5			

PRODUCT NUMBER	LENGTH (Meters) "DIM L"	AWG	NOTES
10110818-2005HFLF	0.5	30	NOTE 12
10110818-2010HFLF	1.0	30	NOTE 12
10110818-2015HFLF	1.5	30	NOTE 12
10110818-2020HFLF	2.0	30	NOTE 12
10110818-2025HFLF	2.5	30	NOTE 12
10110818-2030HFLF	3.0	30	NOTE 12
10110818-2035HFLF	3.5	30	NOTE 12
10110818-2040HFLF	4.0	30	NOTE 12
10110818-3005HFLF	0.5	28	NOTE 12
10110818-3006HFLF	0.6	28	NOTE 12
10110818-3010HFLF	1.0	28	NOTE 12
10110818-3015HFLF	1.5	28	NOTE 12
10110818-3020HFLF	2.0	28	NOTE 12
10110818-3025HFLF	2.5	28	NOTE 12
10110818-3030HFLF	3.0	28	NOTE 12
10110818-3035HFLF	3.5	28	NOTE 12
10110818-3040HFLF	4.0	28	NOTE 12
10110818-3045HFLF	4.5	28	NOTE 12
10110818-3050HFLF	5.0	28	NOTE 12
10110818-4005HFLF	0.5	26	NOTE 12
10110818-4010HFLF	1.0	26	NOTE 12
10110818-4015HFLF	1.5	26	NOTE 12
10110818-4020HFLF	2.0	26	NOTE 12
10110818-4025HFLF	2.5	26	NOTE 12
10110818-4030HFLF	3.0	26	NOTE 12
10110818-4035HFLF	3.5	26	NOTE 12
10110818-4040HFLF	4.0	26	NOTE 12
10110818-4045HFLF	4.5	26	NOTE 12
10110818-4050HFLF	5.0	26	NOTE 12
10110818-4055HFLF	5.5	26	NOTE 12
10110818-4060HFLF	6.0	26	NOTE 12
10110818-4065HFLF	6.5	26	NOTE 10 & 12
10110818-4070HFLF	7.0	26	NOTE 10 & 12

PRODUCT NUMBER	LENGTH (Meters) "DIM L"	AWG	NOTES
10110818-5005HFLF	0.5	24	NOTE 12
10110818-5010HFLF	1.0	24	NOTE 12
10110818-5015HFLF	1.5	24	NOTE 12
10110818-5020HFLF	2.0	24	NOTE 12
10110818-5025HFLF	2.5	24	NOTE 12
10110818-5030HFLF	3.0	24	NOTE 12
10110818-5035HFLF	3.5	24	NOTE 12
10110818-5040HFLF	4.0	24	NOTE 12
10110818-5045HFLF	4.5	24	NOTE 12
10110818-5050HFLF	5.0	24	NOTE 12
10110818-5055HFLF	5.5	24	NOTE 12
10110818-5060HFLF	6.0	24	NOTE 12
10110818-5065HFLF	6.5	24	NOTE 12
10110818-5070HFLF	7.0	24	NOTE 12
10110818-5075HFLF	7.5	24	NOTE 12
10110818-5080HFLF	8.0	24	NOTE 10 & 12
10110818-5085HFLF	8.5	24	NOTE 10 & 12
10110818-5090HFLF	9.0	24	NOTE 10 & 12
10110818-5095HFLF	9.5	24	NOTE 10 & 12
10110818-5100HFLF	10.0	24	NOTE 10 & 12

HALOGEN FREE CABLE ASSEMBLY PART NUMBERS



Copyright FCI.

dr	Deborah Ingram	2009/12/18	projection 	mm 	size	A3	scale	3:10
eng	Michael Zhou	2015/05/13			ecn no	ELX-N-20846-1		
chr	-	-	product family	SFP+ PLUG	rel level	Released		
appr	Frank Mao	2015/05/13			title	FINAL ASSEMBLY - STANDARD	dwg no	10110818
www.fci.com		cat. no.	-		Product - Customer Drw		sheet 4 of 5	

Product number	DESCRIPTION	NOTES
10110818-XXXXLF	NON-HF	SEE SHT. 3
10110818-XXXXHFLF	HALOGEN FREE (HF)	SEE SHT. 4

NOTES:

- 1 - MATERIAL:
BACKSHELLS: ZINC ALLOY/ COPPER UNDERPLATE/ NICKEL OVERPLATE
PULL TAB: THERMOPLASTIC POLYMER
RELEASE SPRING: STAINLESS STEEL
EMI GASKET: STAINLESS STEEL
SR: THERMOPLASTIC POLYAMIDES
SCREWS: STAINLESS STEEL
PADDLE CARD: PRINTED CIRCUIT SUBSTRATE
- 2 - THIS PRODUCT MEETS THE RESTRICTION OF HAZARDOUS SUBSTANCES IN ELECTRICAL AND ELECTRONIC EQUIPMENT (RoHS) DIRECTIVE (2011/65/EU)
- 3 - IMPEDANCE: 100 OHMS DIFFERENTIAL.

- 4 - UNLESS OTHERWISE SPECIFIED LABEL POSITION IS TO BE 50mm FROM REAR OF CONNECTOR.

LABEL DETAILS:

MANUFACTURER CODE OR NAME	COUNTRY ORIGIN
FCI P/N	
FCI CUSTOMER DRAWING REVISION	
FCI SERIAL NUMBER	
2D BAR CODE OF SERIAL NUMBER	

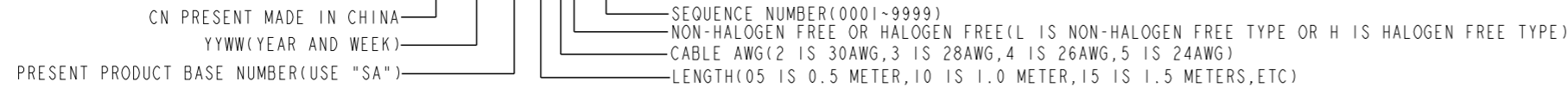
LABEL EXAMPLE

FCI CHINA
10110818-2005LF
Rev. G
CN1324SA052L0001

FONT SHALL BE CLEARLY VISIBLE AND BLACK IN COLOR.

FCI SERIAL NUMBER IS ONLY USED FOR TRACKING PRODUCT,DETAIL IS AS BELOW :

CN1324SA052L0001



- 5 - ALL CABLE ASSEMBLIES SHALL BE 100% TESTED FOR CONTINUITY AS DEFINED IN WIRING LIST.
- 6 - CONFORMS TO FCI PRODUCT SPECIFICATION: GS-12-616.
- 7 - PACKAGING OF LEAD FREE PRODUCTS MEETS LABELING AND PACKAGING PER SPECIFICATION GS-14-920. PACKAGE CABLE ASSEMBLIES PER GS-14-1272. DUST CAPS ARE TO BE ASSEMBLED PRIOR TO PACKING.
- 8 - THIS DIMENSION IS A FINISHED PRODUCT LENGTH.
- 9 - A "△" SYMBOL WILL BE NEXT TO ANY DIMENSION, VIEW, OR NOTE WHICH HAS BEEN MODIFIED WITH THE CURRENT DRAWING REVISION. THE CURRENT REVISION WILL BE SHOWN IN THE SYMBOL.
- 10 - LONGER LENGTH APPLICATIONS REQUIRE HOST SYSTEM PREMPHASIS AND/OR EQUALIZATION.
- 11 - UNLESS OTHERWISE SPECIFIED ASSEMBLED LENGTH TOLERANCE IS TO BE:
<= 1 METER = ±25.0mm
> 1 METER TO 10 METERS = ±2% OF "DIM L"
- 12 - "HF" PRODUCT NUMBERS DESIGNATE THE USE OF HALOGEN FREE RAW CABLE.
- 13 - HALOGEN FREE RAW CABLE CAN BE USED AS A SUBSTITUTE ON NON-HF PRODUCT NUMBERS.
- 14 - EEPROM INFORMATION REFERS TO THE SFF-8472.

- 15 - RAW CABLE IS OPTIONAL,WHICH HAD BEEN QUALIFIED BY FCI AND MEET THE LATEST FCI SPEC"GS-12-616

dr	Deborah Ingram	2009/12/18	projection	mm	size	A3	scale	3:10
eng	Michael Zhou	2015/05/13			ecn no ELX-N-20846-1			
chr	-	-			rel level Released			
appr	Frank Mao	2015/05/13	product family	SFP+ PLUG	rev G			
			FINAL ASSEMBLY - STANDARD		dwg no	10110818		rev
www.fci.com			SFP+ (PASSIVE) ASSEMBLY		G			
cat. no.			-		Product - Customer Drw		sheet 5 of 5	

Компания «Life Electronics» занимается поставками электронных компонентов импортного и отечественного производства от производителей и со складов крупных дистрибьюторов Европы, Америки и Азии.

С конца 2013 года компания активно расширяет линейку поставок компонентов по направлению коаксиальный кабель, кварцевые генераторы и конденсаторы (керамические, пленочные, электролитические), за счёт заключения дистрибьюторских договоров

Мы предлагаем:

- Конкурентоспособные цены и скидки постоянным клиентам.
- Специальные условия для постоянных клиентов.
- Подбор аналогов.
- Поставку компонентов в любых объемах, удовлетворяющих вашим потребностям.
- Приемлемые сроки поставки, возможна ускоренная поставка.
- Доставку товара в любую точку России и стран СНГ.
- Комплексную поставку.
- Работу по проектам и поставку образцов.
- Формирование склада под заказчика.
- Сертификаты соответствия на поставляемую продукцию (по желанию клиента).
- Тестирование поставляемой продукции.
- Поставку компонентов, требующих военную и космическую приемку.
- Входной контроль качества.
- Наличие сертификата ISO.

В составе нашей компании организован Конструкторский отдел, призванный помогать разработчикам, и инженерам.

Конструкторский отдел помогает осуществить:

- Регистрацию проекта у производителя компонентов.
- Техническую поддержку проекта.
- Защиту от снятия компонента с производства.
- Оценку стоимости проекта по компонентам.
- Изготовление тестовой платы монтаж и пусконаладочные работы.



Тел: +7 (812) 336 43 04 (многоканальный)

Email: org@lifeelectronics.ru