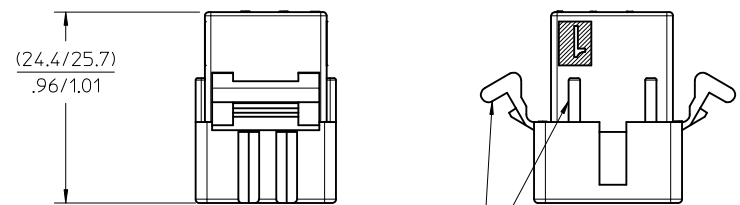
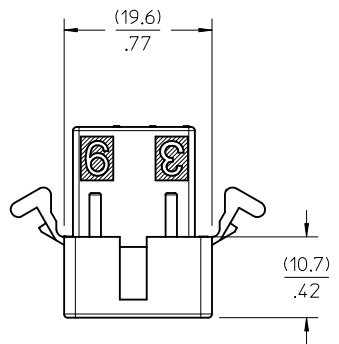
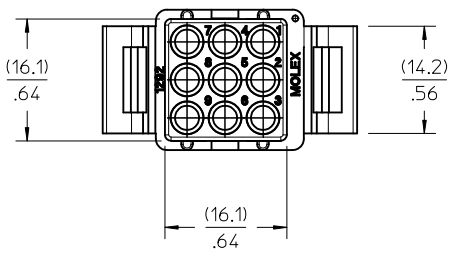
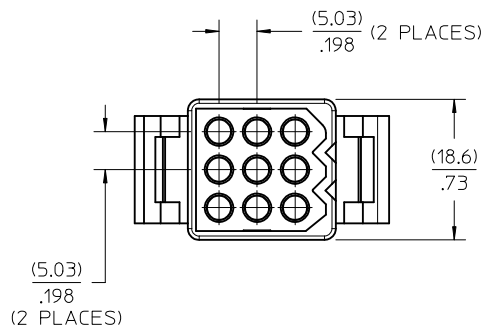


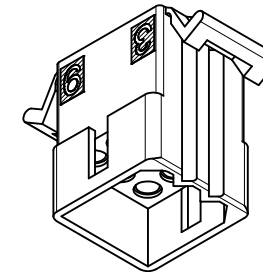
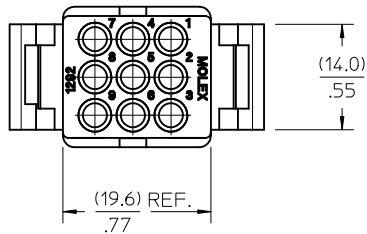
**STANDARD PLUG**  
1292-P2 SHOWN WITH  
RIBS & PREBENT EARS



MOUNTING EARS AND  
RIBS OPTION (SEE DETAIL 4 & NOTE 3,  
ON DRAWING SD-1292-0003)



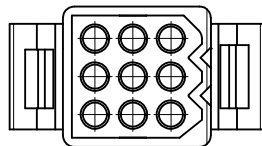
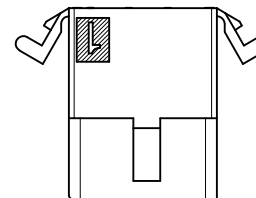
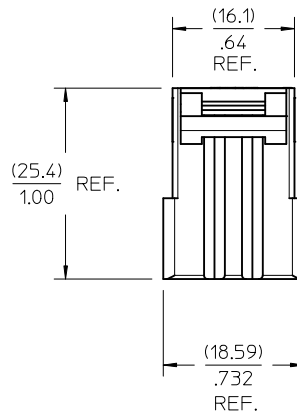
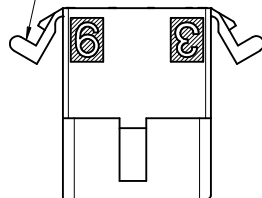
<b>REDRAWN</b> EC NO: UCP2010-2311 DRWNG: CSTEWARD 2011/07/21 CHKD: APPR: FSMITH 2011/09/12 REV: V	DESCRIPTION 2011/09/12	QUALITY SYMBOLS ▽=0 ▽=0 ▽=0	GENERAL TOLERANCES (UNLESS SPECIFIED)		DIMENSION STYLE <b>MM/IN</b>		SCALE <b>2:1</b>	DESIGN UNITS <b>METRIC</b>	THIRD ANGLE PROJECTION			
				4 PLACES ± --- ± .010 3 PLACES ± --- ± .014 2 PLACES ± 0.25 ± --- 1 PLACE ± 0.35 ± ---	DRAWN BY CSTEWARD	DATE 2011/07/21	TITLE <b>.093/(2.36) HOUSING, PLUG 9 CKT. .198/(5.03) CTRS</b>					
				ANGULAR ± 1/2°		APPROVED BY FSMITH	DATE 2011/09/12	MOLEX INCORPORATED				
				DRAFT WHERE APPLICABLE MUST REMAIN WITHIN DIMENSIONS		MATERIAL NO. <b>SEE DWG SD-1292-0003</b>	SIZE <b>C</b>	DOCUMENT NO. <b>SD-1292-0001</b>		SHEET NO. <b>1 OF 1</b>		



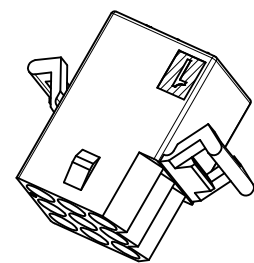
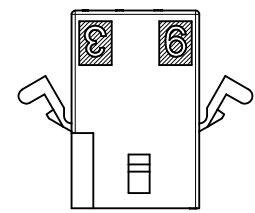
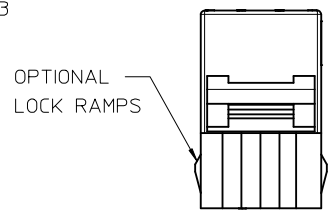
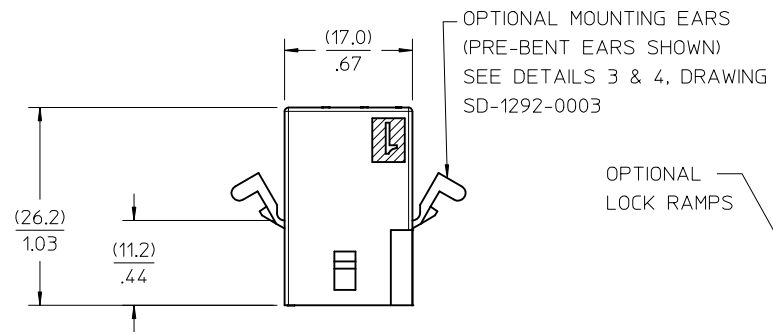
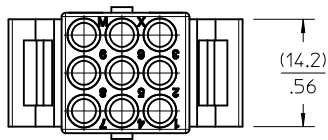
**OPTIONAL PLUG**

(PLUG SHOWN WITH PREBENT EARS)  
FOR ALL OTHER DIMENSIONS AND SPECS.  
SEE STANDARD PLUG DRAWING SD-1292-0001.

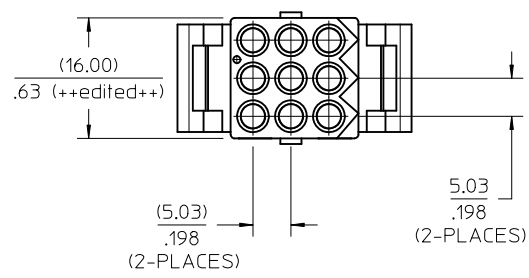
MOUNTING EARS OPTIONAL  
(PREBENT EAR ONLY)  
SEE DETAIL 4 ON  
DRAWING SD-1292-0003



<b>REDRAWN</b> EC NO: UCP2010-2311 DRAWN: CSTEWARD 2011/07/21 CHKD: APPR: FSMITH 2011/09/12 REV: V	QUALITY SYMBOLS	GENERAL TOLERANCES (UNLESS SPECIFIED)	DIMENSION STYLE	SCALE	DESIGN UNITS	THIRD ANGLE PROJECTION
	▽=0	mm INCH	MM/IN	2:1	METRIC	
	▽=0	4 PLACES ± --- ±.010	DRAWN BY DATE	TITLE		
	▽=0	3 PLACES ± --- ±.014	CSTEWARD 2011/07/21	.093/(2.36) HOUSING, OPTIONAL PLUG, 9 CKT., 198/(5.03) CTRS.		
		2 PLACES ± 0.25 ± ---	CHECKED BY DATE	MOLEX MOLEX INCORPORATED		
		1 PLACE ± 0.35 ± ---	APPROVED BY DATE	DOCUMENT NO.		
		ANGULAR ± 1/2°	FSMITH 2011/09/12	SD-1292-0002		
		DRAFT WHERE APPLICABLE MUST REMAIN WITHIN DIMENSIONS	MATERIAL NO.	SHEET NO.		
			SEE DWG. SD-1292-0003	1 OF 1		
			SIZE C	THIS DRAWING CONTAINS INFORMATION THAT IS PROPRIETARY TO MOLEX INCORPORATED AND SHOULD NOT BE USED WITHOUT WRITTEN PERMISSION		



**RECEPTACLE**  
(SHOWN WITH PREBENT MOUNTING EARS & LOCK RAMPs)



<b>REDRAWN</b> EC NO: UCP2010-2311 DRWNG: CSTEWARD 2011/07/21 CHKD: APPR: FSMITH 2011/09/12	QUALITY SYMBOLS ▽=0 ▽=0 ▽=0	GENERAL TOLERANCES (UNLESS SPECIFIED)		DIMENSION STYLE <b>MM/IN</b>	SCALE <b>2:1</b>	DESIGN UNITS <b>METRIC</b>	THIRD ANGLE PROJECTION		
		4 PLACES ± --- ± .010	3 PLACES ± --- ± .014	DRAWN BY CSTEWARD	DATE 2011/07/21	TITLE .093/(2.36) HOUSING RECEPTACLE, 9 CIRCUIT, .198/(5.03) CENTERS			
		2 PLACES ± 0.25 ± ---	1 PLACE ± 0.35 ± ---	CHECKED BY	DATE	APPROVED BY FSMITH			DATE 2011/09/12
		ANGULAR ± 1/2°		MATERIAL NO.		MOLEX INCORPORATED			
DRAFT WHERE APPLICABLE MUST REMAIN WITHIN DIMENSIONS		SEE CHART, SHEET 2		DOCUMENT NO. SD-1292-0003			SHEET NO. 1 OF 2		
THIS DRAWING CONTAINS INFORMATION THAT IS PROPRIETARY TO MOLEX INCORPORATED AND SHOULD NOT BE USED WITHOUT WRITTEN PERMISSION									

PLUG	
PART NO.	ENG. NO.
03-09-2091	1292-P
03-09-2092	1292-P1
03-09-7091	1292-PBK
03-09-7092	1292-P1BK
NOT TOOLED	1292-P2
27-09-2092	1292-P1-A

RECEPTACLE	
PART NO.	ENG. NO.
03-09-1091	1292-R
03-09-1092	1292-R1
03-09-6091	1292-RBK
03-09-6092	1292-R1BK
03-09-1093	1292-R2
03-09-6093	1292-R2BK
03-09-1094	1292-R3
03-09-6094	1292-R3BK
27-09-1093	1292-R2-A

**LEGEND: PLUG**

1292-P \* \* \* - \*

P = PLUG

BLANK = OPT. PLUG WITH PREBENT EARS  
 1 = STD. PLUG WITHOUT PREBENT EARS  
 2 = STD. PLUG WITH PREBENT EARS & RIBS

COLOR: BLANK=NATURAL COLOR  
 AM=AMBER BK=BLACK BU=BLUE  
 BN=BROWN GY=GRAY GN=GREEN  
 OR=ORANGE RD=RED YW=YELLOW

MATERIAL: BLANK = NYLON 6/6, U.L. 94V-2  
 A = NYLON 6/6, U.L. 94V-0

**LEGEND: RECEPTACLE**

1292-R \* \* \* - \*

R = RECEPTACLE

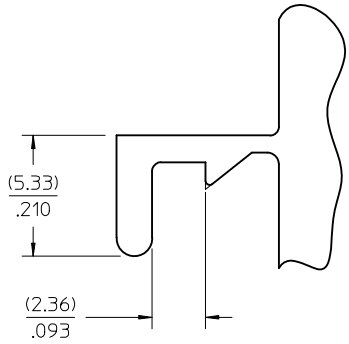
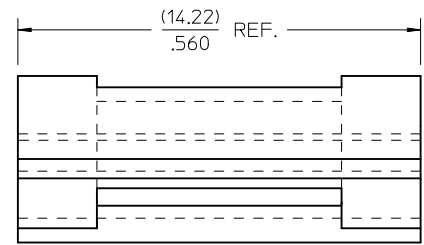
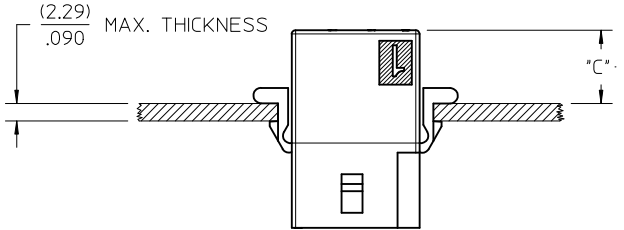
BLANK = WITH PREBENT EARS, WITH LOCK RAMP  
 1 = WITH PREBENT EARS, WITHOUT LOCK RAMP  
 2 = WITHOUT EARS, WITHOUT LOCK RAMP  
 3 = WITHOUT EARS, WITH LOCK RAMP

COLOR: BLANK=NATURAL COLOR  
 AM=AMBER BK=BLACK BU=BLUE  
 BN=BROWN GY=GRAY GN=GREEN  
 OR=ORANGE RD=RED YW=YELLOW

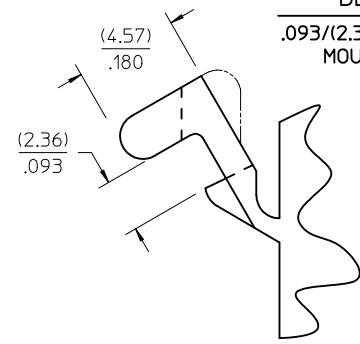
MATERIAL: BLANK = NYLON 6/6, U.L. 94V-2  
 A = NYLON 6/6, U.L. 94V-0

HOUSING	DIM. "A"	DIM. "B"	DIM. "C" (STD. EAR)	DIM. "C" (PREBENT)
STD. PLUG	.930/(23.62)	.760/(19.30)	N/A	.39/(9.9)
OPT. PLUG	.937/(23.80)	.660/(16.76)	.13/(3.3)	N/A
RECEPTACLE	.828/(21.03)	.725/(18.42)	.37/(9.4)	.41/(10.4)

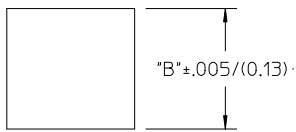
- NOTES:
1. THESE PARTS COMPLY WITH MOLEX PRODUCT SPEC. 02-09.
  2. HOUSINGS FOR USE WITH MOLEX .093/(2.36) PIN AND SOCKET TERMINALS.
  3. RIBS ARE PRESENT ONLY ON STANDARD PLUG WITH PREBENT MOUNTING EARS.  
 FOR PLUG HOUSINGS REQUIRING MOUNTING EARS, ONLY PREBENT STYLE IS AVAILABLE.



**DETAIL 3**  
 .093/(2.36) STANDARD MOUNTING EAR



**DETAIL 4**  
 .093/(2.36) PREBENT MOUNTING EAR



**DETAIL 5**  
 PANEL CUTOUT VIEW  
 OPTIONAL PLUG WITH PREBENT EARS SHOWN

<b>REDRAWN</b> EC NO: UCP2010-2311 DRAWN: STEWART 2011/07/21 CHKD: APPR: FSMITH 2011/09/12 REV: V	QUALITY SYMBOLS ∇=0 ∇=0 ∇=0	GENERAL TOLERANCES (UNLESS SPECIFIED) <table border="1"> <thead> <tr> <th></th> <th>mm</th> <th>INCH</th> </tr> </thead> <tbody> <tr> <td>4 PLACES</td> <td>± .010</td> <td>± .010</td> </tr> <tr> <td>3 PLACES</td> <td>± .014</td> <td>± .014</td> </tr> <tr> <td>2 PLACES</td> <td>± 0.25</td> <td>± .010</td> </tr> <tr> <td>1 PLACE</td> <td>± 0.35</td> <td>± .010</td> </tr> </tbody> </table>		mm	INCH	4 PLACES	± .010	± .010	3 PLACES	± .014	± .014	2 PLACES	± 0.25	± .010	1 PLACE	± 0.35	± .010	DIMENSION STYLE <b>MM/IN</b>	SCALE <b>6:1</b>	DESIGN UNITS <b>METRIC</b>	THIRD ANGLE PROJECTION
		mm	INCH																		
	4 PLACES	± .010	± .010																		
	3 PLACES	± .014	± .014																		
2 PLACES	± 0.25	± .010																			
1 PLACE	± 0.35	± .010																			
DRAFT WHERE APPLICABLE MUST REMAIN WITHIN DIMENSIONS	DRAWN BY C STEWART	DATE 2011/07/21	CHECKED BY DATE	TITLE <b>.093/(2.36) HOUSING RECEPTACLE, 9 CIRCUIT, .198/(5.03) CENTERS</b>	MOLEX INCORPORATED	SHEET NO. <b>2 OF 2</b>															
SEE CHART	APPROVED BY FSMITH	DATE 2011/09/12	MATERIAL NO. <b>SD-1292-0003</b>	DOCUMENT NO.	MOLEX INCORPORATED	THIS DRAWING CONTAINS INFORMATION THAT IS PROPRIETARY TO MOLEX INCORPORATED AND SHOULD NOT BE USED WITHOUT WRITTEN PERMISSION															

Компания «Life Electronics» занимается поставками электронных компонентов импортного и отечественного производства от производителей и со складов крупных дистрибьюторов Европы, Америки и Азии.

С конца 2013 года компания активно расширяет линейку поставок компонентов по направлению коаксиальный кабель, кварцевые генераторы и конденсаторы (керамические, пленочные, электролитические), за счёт заключения дистрибьюторских договоров

Мы предлагаем:

- Конкурентоспособные цены и скидки постоянным клиентам.
- Специальные условия для постоянных клиентов.
- Подбор аналогов.
- Поставку компонентов в любых объемах, удовлетворяющих вашим потребностям.
- Приемлемые сроки поставки, возможна ускоренная поставка.
- Доставку товара в любую точку России и стран СНГ.
- Комплексную поставку.
- Работу по проектам и поставку образцов.
- Формирование склада под заказчика.
- Сертификаты соответствия на поставляемую продукцию (по желанию клиента).
- Тестирование поставляемой продукции.
- Поставку компонентов, требующих военную и космическую приемку.
- Входной контроль качества.
- Наличие сертификата ISO.

В составе нашей компании организован Конструкторский отдел, призванный помогать разработчикам, и инженерам.

Конструкторский отдел помогает осуществить:

- Регистрацию проекта у производителя компонентов.
- Техническую поддержку проекта.
- Защиту от снятия компонента с производства.
- Оценку стоимости проекта по компонентам.
- Изготовление тестовой платы монтаж и пусконаладочные работы.



Тел: +7 (812) 336 43 04 (многоканальный)  
Email: [org@lifeelectronics.ru](mailto:org@lifeelectronics.ru)