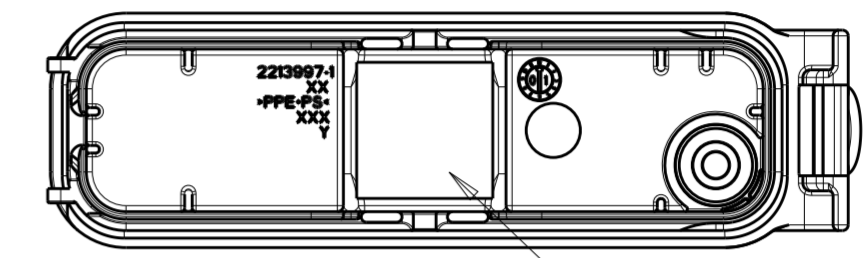
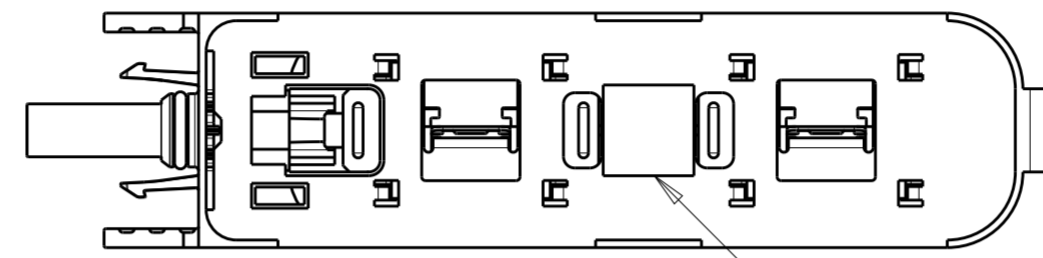


THIS DRAWING IS UNPUBLISHED. RELEASED FOR PUBLICATION
 © COPYRIGHT copyright.d8te- ALL RIGHTS RESERVED.

REVISIONS				
P	LTR	DESCRIPTION	DATE	APVD
	A	RELEASED FOR PRODUCTION	23OCT2017	RK PO

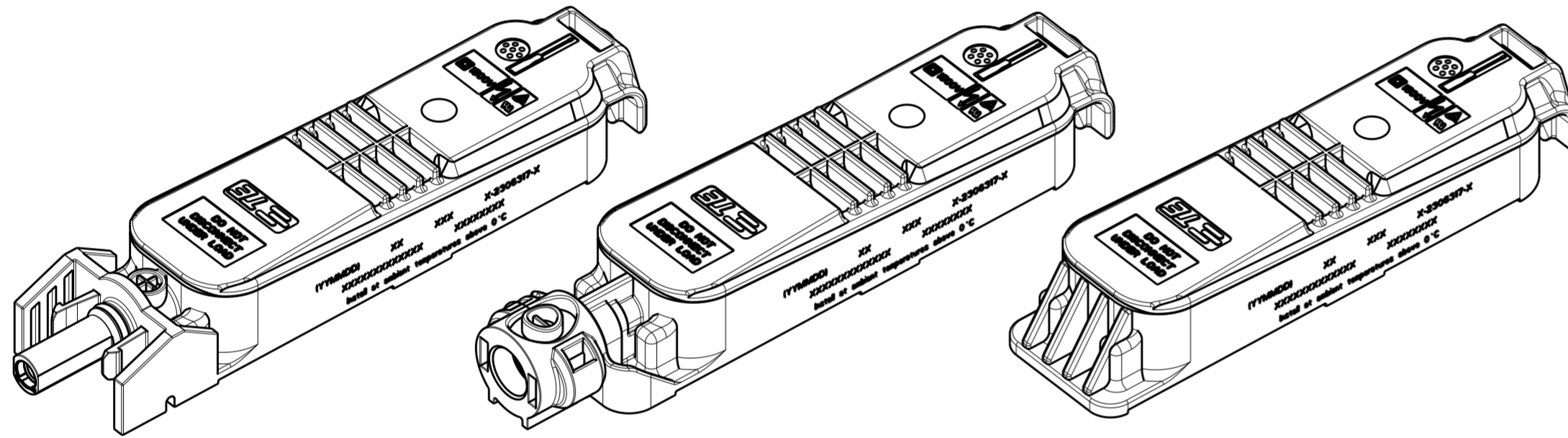
NOTES:

- 1 LID NOT ASSEMBLED WITH LOWER PART. ENCLOSED LOOSELY
- 2 FLAP NOT ASSEMBLED WITH LOWER PART. ENCLOSED LOOSELY
- 3 PART NUMBER.
- 4 PRODUCTION DATE (YYMMDD)
- 5 MANUFACTURING LOCATION CODE.
- 6 OMEGA CLIP AS LOOSE PIECE IN BOX, PRODUCT SPEC. 108-94176
- 7 MODEL CODE ACCORDING TE-SPEC. 404-74000-1
- 8 CONSECUTIVE SERIAL NUMBER
- 9 TEST EQUIPMENT NUMBER
- 10 DIODES WELDED ON CONTACT RAIL
- 11. MUST COMPLY WITH DIRECTIVE 2002/95/EC (ROHS).
- 12. THIS PRODUCT HAS NOT COMPLETED VALIDATION TESTING.



BOTTOM VIEW OF TYPICAL ASSEMBLY WHEN MOUNTING TAPE IS APPLIED

BOTTOM VIEW OF LID SUBASSEMBLY WHEN THERMAL INTERFACE MATERIAL IS APPLIED



PVEDGE2GGA1V_2	36.0	EAST/WEST	YES	YES	7-2306317-5
PVEDGE2DGA1V_2	55.2	EAST/WEST	YES	YES	7-2306317-2
PVEDGE2FGA1V_2	58.7	EAST/WEST	YES	YES	7-2306317-1
PVEDGE2GGA1V_2	36.0	EAST/WEST	NO	YES	6-2306317-5
PVEDGE2DGA1V_2	55.2	EAST/WEST	NO	YES	6-2306317-2
PVEDGE2FGA1V_2	58.7	EAST/WEST	NO	YES	6-2306317-1
PVEDGE2GGA1T_2	36.0	EAST/WEST	YES	NO	5-2306317-5
PVEDGE2DGA1T_2	55.2	EAST/WEST	YES	NO	5-2306317-2
PVEDGE2FGA1T_2	58.7	EAST/WEST	YES	NO	5-2306317-1
PVEDGE2GGA1T_2	36.0	EAST/WEST	NO	NO	4-2306317-5
PVEDGE2DGA1T_2	55.2	EAST/WEST	NO	NO	4-2306317-2
PVEDGE2FGA1T_2	58.7	EAST/WEST	NO	NO	4-2306317-1
PVEDGE2GGA1V_2	36.0	NORTH/SOUTH	YES	YES	3-2306317-5
PVEDGE2DGA1V_2	55.2	NORTH/SOUTH	YES	YES	3-2306317-2
PVEDGE2FGA1V_2	58.7	NORTH/SOUTH	YES	YES	3-2306317-1
PVEDGE2GGA1V_2	36.0	NORTH/SOUTH	NO	YES	2-2306317-5
PVEDGE2DGA1V_2	55.2	NORTH/SOUTH	NO	YES	2-2306317-2
PVEDGE2FGA1V_2	58.7	NORTH/SOUTH	NO	YES	2-2306317-1
PVEDGE2GGA1T_2	36.0	NORTH/SOUTH	YES	NO	1-2306317-5
PVEDGE2DGA1T_2	55.2	NORTH/SOUTH	YES	NO	1-2306317-2
PVEDGE2FGA1T_2	58.7	NORTH/SOUTH	YES	NO	1-2306317-1
PVEDGE2GGA1T_2	36.0	NORTH/SOUTH	NO	NO	2306317-5
PVEDGE2DGA1T_2	55.2	NORTH/SOUTH	NO	NO	2306317-2
PVEDGE2FGA1T_2	58.7	NORTH/SOUTH	NO	NO	2306317-1

TIN OVER NICKEL	COPPER ALLOY	INTERFACE CONTACT-SOCKET	11
TIN OVER NICKEL	COPPER ALLOY	INTERFACE CONTACT-PIN	10
-	-	THERMAL INTERFACE MATERIAL	9
-	-	BYPASS DIODE: TYPE SL2020A	8
GRAY	PPE+PS	MEMBRANE RETAINER	7
-	-	MEMBRANE VENT	6
PLAIN	STAINLESS STEEL	OMEGA CLIP	5 ⁶
TIN	COPPER ALLOY	CONTACT RAIL	4
BLACK	PPE+PS	BOX, LOWER HOUSING	3
RED	SILICONE	O-RING SEAL	2
BLACK	PPE+PS	BOX, LID	1 ¹
COLOR/FINISH	MATERIAL	DESCRIPTION	ITEM NO.

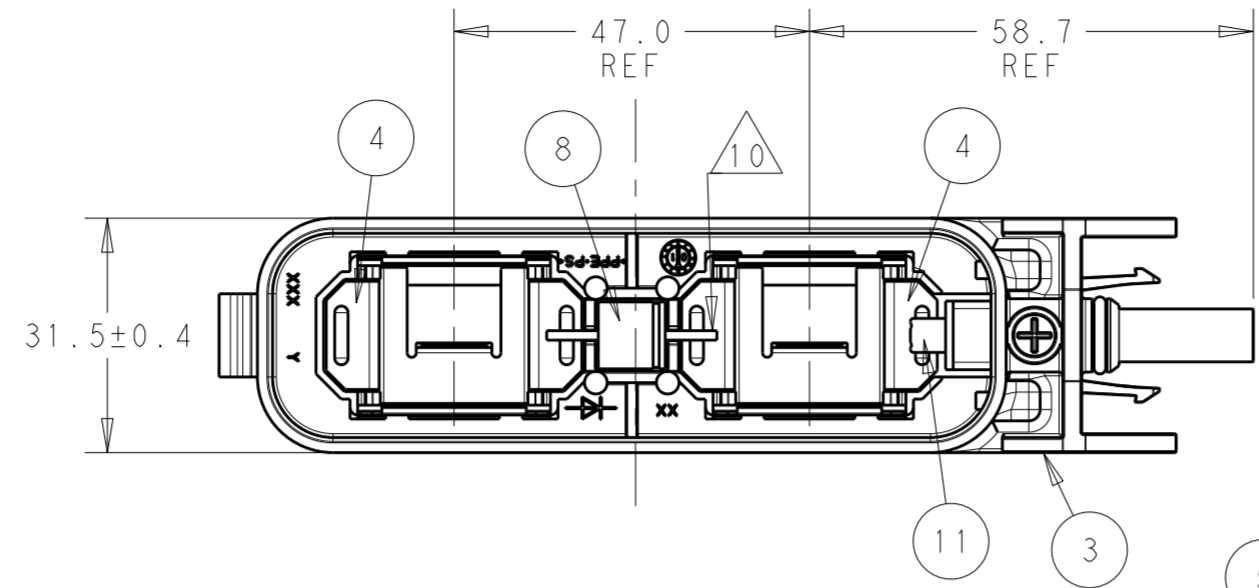
THIS DRAWING IS A CONTROLLED DOCUMENT.		DWN	RAVLS	13AUG2016
DIMENSIONS: mm		CHK	GINGRICH CHUCK	13AUG2016
TOLERANCES UNLESS OTHERWISE SPECIFIED:		APVD	GINGRICH CHUCK	13AUG2016
0 PLC	±0.50	PRODUCT SPEC		
1 PLC	±0.25	108-32122		
2 PLC	±0.13	APPLICATION SPEC		
3 PLC	±	114-32157		
4 PLC	±	WEIGHT		
ANGLES	±	A2		
FINISH	-	C-2306317		
MATERIAL		CUSTOMER DRAWING		

STE		TE Connectivity	
PV EDGE ASSEMBLY, WITHOUT FLAP, OMEGA CLIP			
SIZE	CAGE CODE	DRAWING NO	RESTRICTED TO
A2		C-2306317	-
SCALE 1:1		SHEET 1 OF 4	REV A

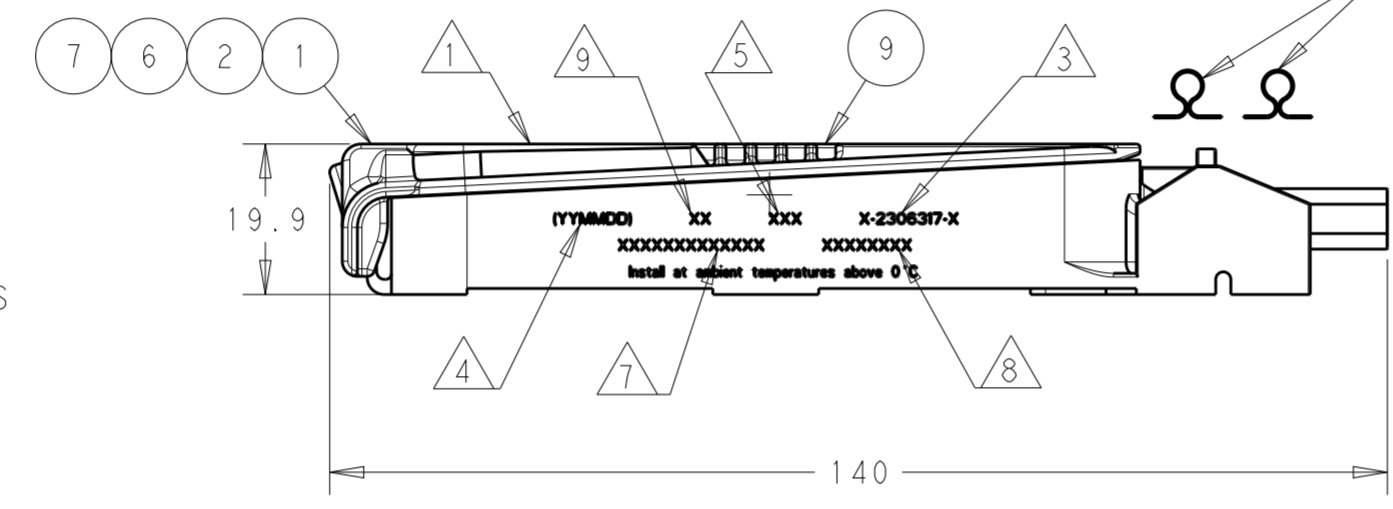
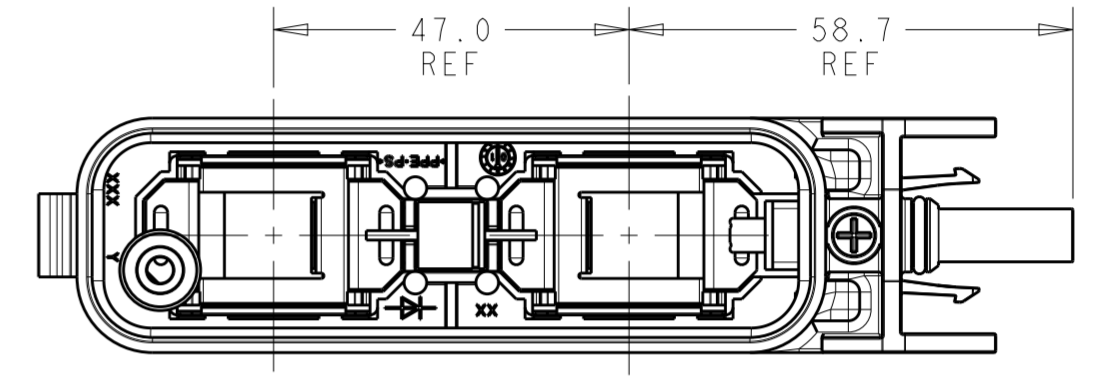
THIS DRAWING IS UNPUBLISHED. RELEASED FOR PUBLICATION
 © COPYRIGHT copyright.d8Te- ALL RIGHTS RESERVED.

REVISIONS				
P	LTR	DESCRIPTION	DATE	APVD
-		SEE SHEET 1	-	-

LID NOT SHOWN FOR REFERENCE ONLY



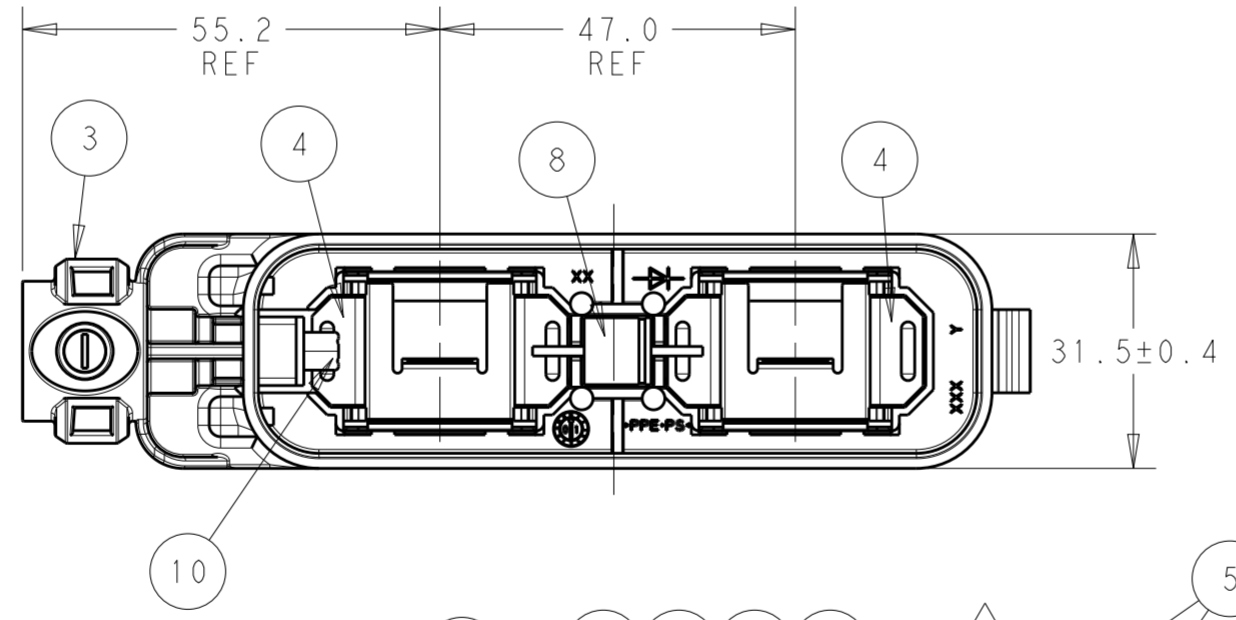
LID NOT SHOWN FOR REFERENCE ONLY



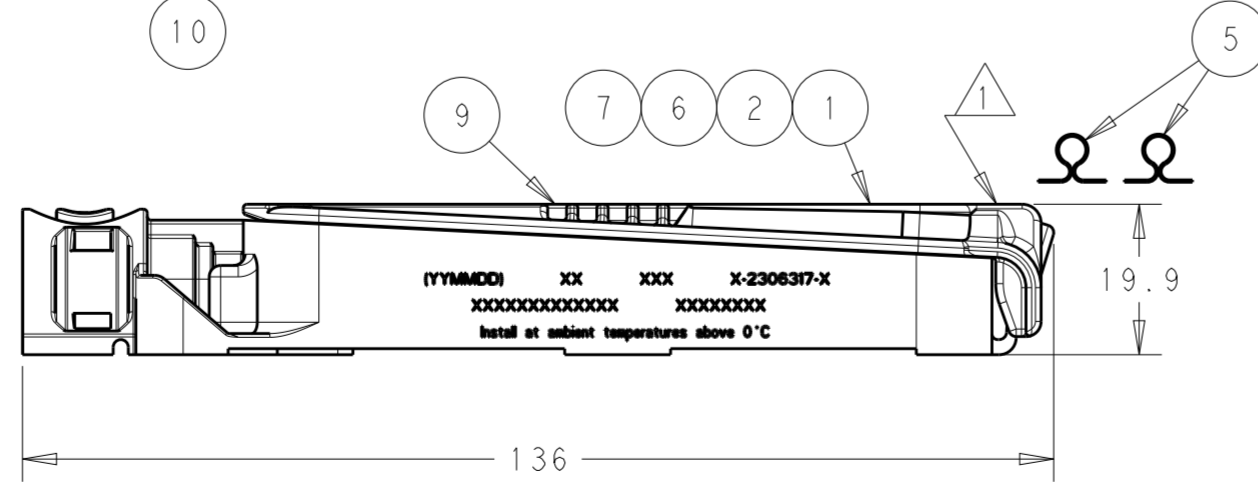
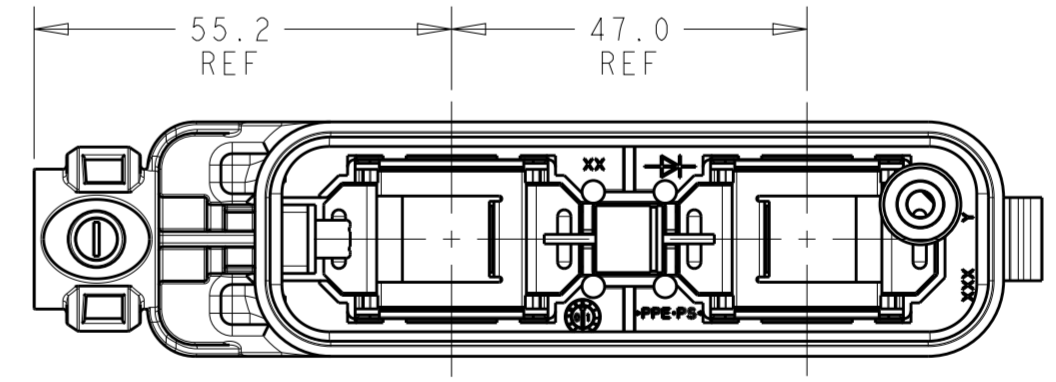
NORTH-SOUTH VERSIONS
 2306317-1
 1-2306317-1
 2-2306317-1
 3-2306317-1
 SHOWN

EAST-WEST VERSIONS
 4-2306317-1
 5-2306317-1
 6-2306317-1
 7-2306317-1
 SAME AS N-S VERSIONS
 EXCEPT AS SHOWN

LID NOT SHOWN FOR REFERENCE ONLY



LID NOT SHOWN FOR REFERENCE ONLY



EAST-WEST VERSIONS
 4-2306317-2
 5-2306317-2
 6-2306317-2
 7-2306317-2
 SAME AS N-S VERSIONS
 EXCEPT AS SHOWN

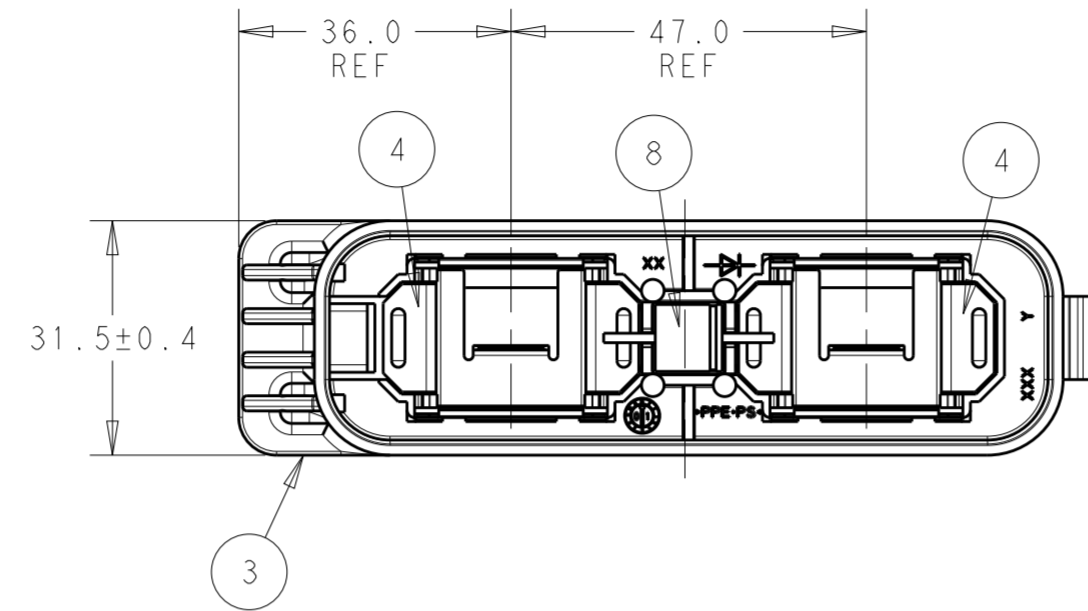
NORTH-SOUTH VERSIONS
 2306317-2
 1-2306317-2
 2-2306317-2
 3-2306317-2
 SHOWN

THIS DRAWING IS A CONTROLLED DOCUMENT.		DWN RAVLS 13AUG2016	TE Connectivity	
DIMENSIONS: mm		CHK GINGRICH CHUCK 13AUG2016		
TOLERANCES UNLESS OTHERWISE SPECIFIED:		APVD GINGRICH CHUCK 13AUG2016	NAME PV EDGE ASSEMBLY, WITHOUT FLAP, OMEGA CLIP	
0 PLC ±0.50 1 PLC ±0.25 2 PLC ±0.13 3 PLC ± 4 PLC ± ANGLES ± FINISH -		PRODUCT SPEC 108-32122	RESTRICTED TO	
MATERIAL		APPLICATION SPEC 114-32157	SIZE A2	CAGE CODE C-2306317
		WEIGHT -	DRAWING NO C-2306317	
		CUSTOMER DRAWING	SCALE 5:1	SHEET 2 OF 4
			REV A	

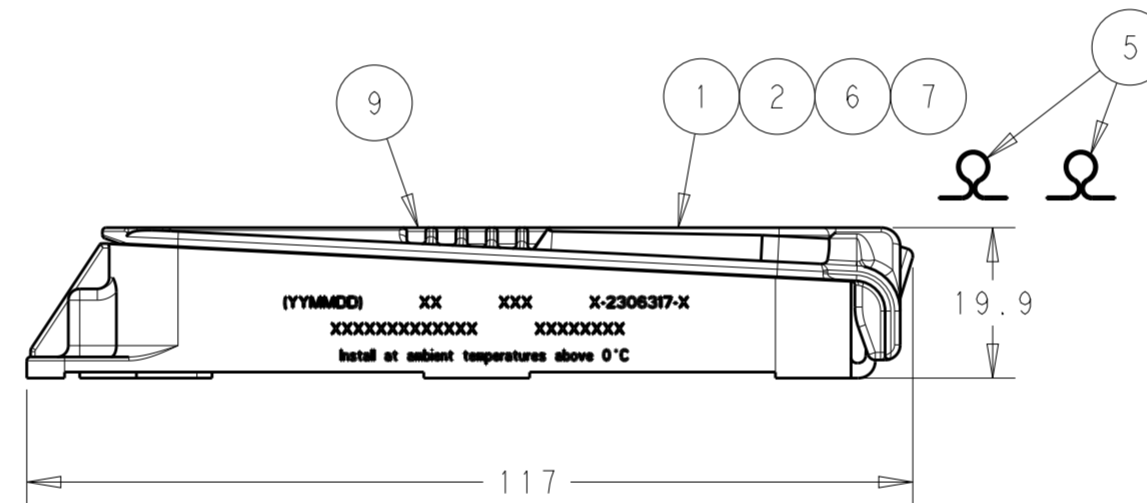
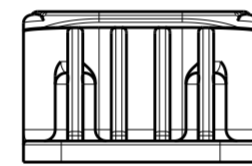
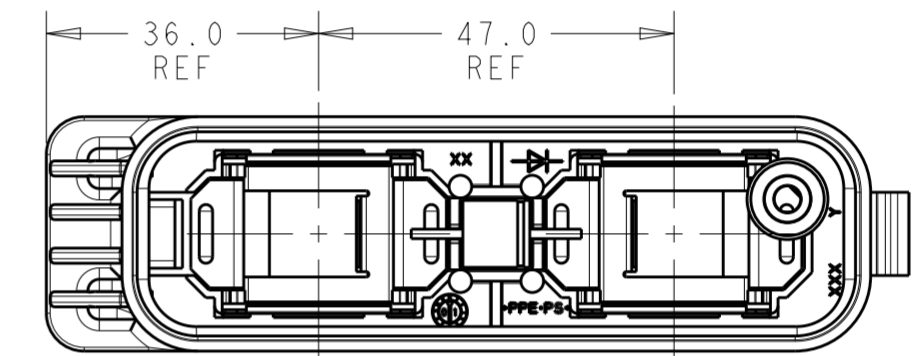
THIS DRAWING IS UNPUBLISHED. RELEASED FOR PUBLICATION
 © COPYRIGHT copyright.d8te- ALL RIGHTS RESERVED.

REVISIONS				
P	LTR	DESCRIPTION	DATE	APVD
-		SEE SHEET 1	-	-

LID NOT SHOWN FOR REFERENCE ONLY



LID NOT SHOWN FOR REFERENCE ONLY



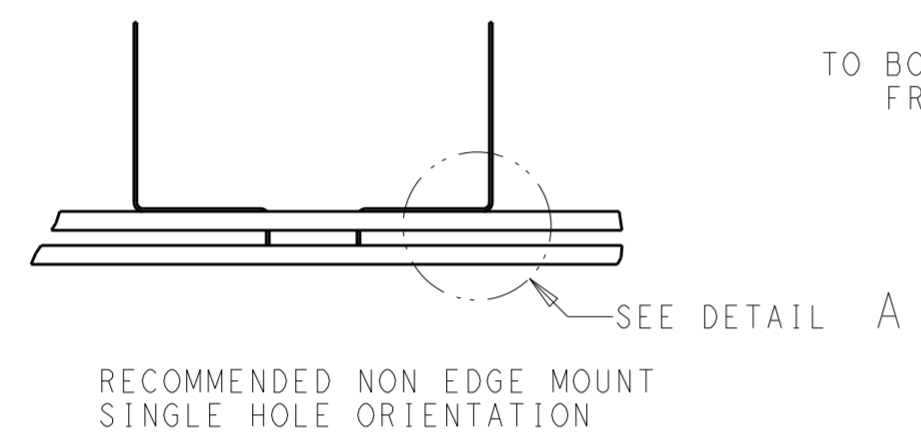
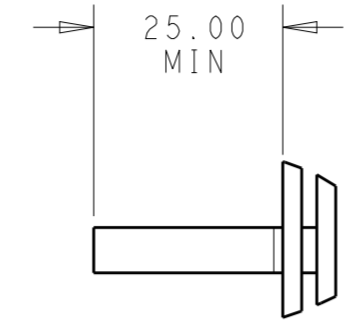
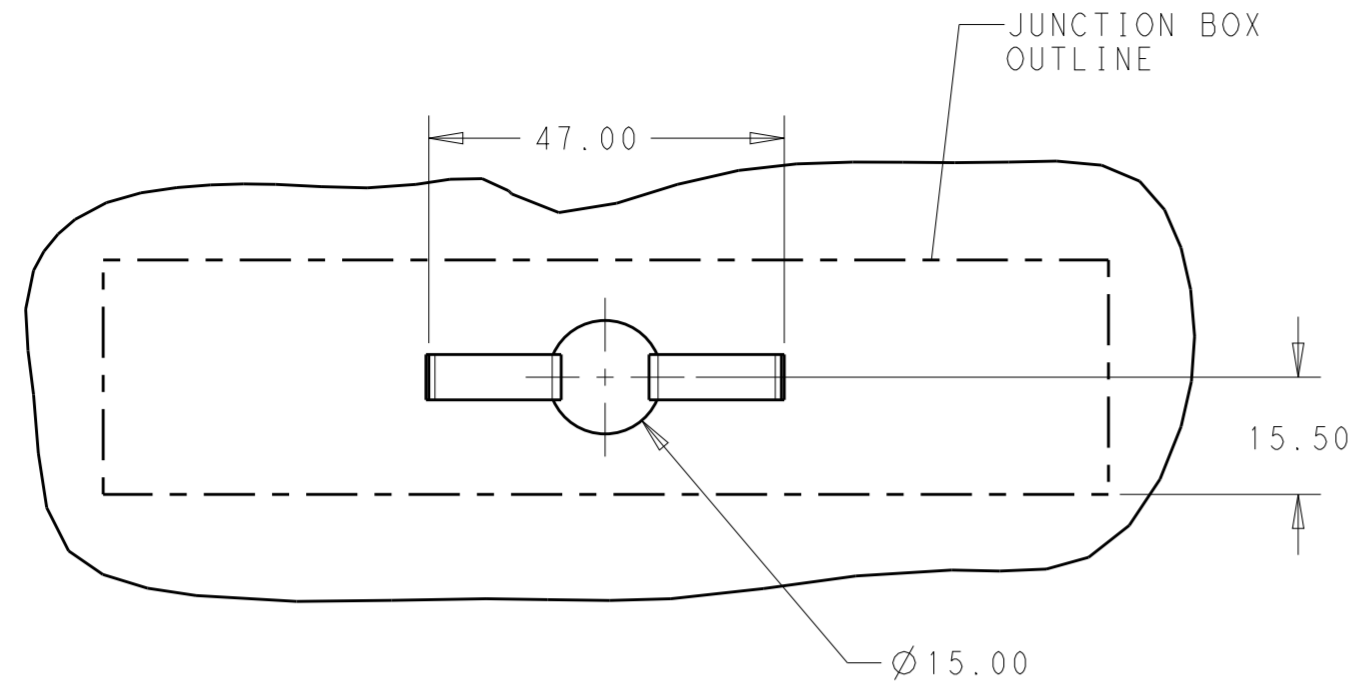
EAST-WEST VERSIONS
 4-2306317-5
 5-2306317-5
 6-2306317-5
 7-2306317-5
 SAME AS N-S VERSIONS
 EXCEPT AS SHOWN

NORTH-SOUTH VERSIONS
 2306317-5
 1-2306317-5
 2-2306317-5
 3-2306317-5
 SHOWN

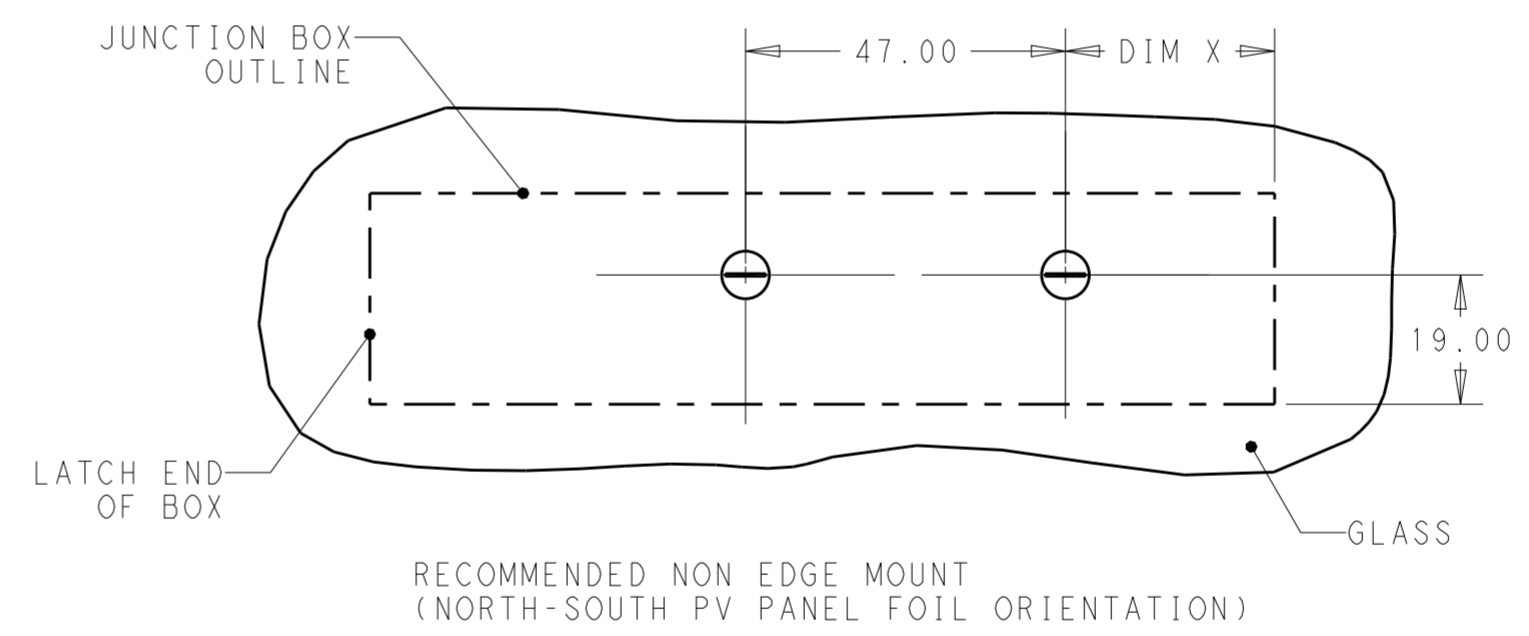
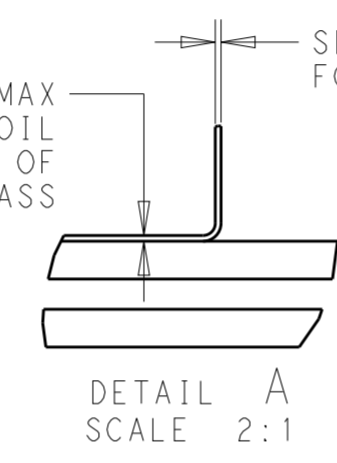
THIS DRAWING IS A CONTROLLED DOCUMENT.		DWN RAVLS 13AUG2016	TE Connectivity															
DIMENSIONS: mm		CHK GINGRICH CHUCK 13AUG2016																
TOLERANCES UNLESS OTHERWISE SPECIFIED:		APVD GINGRICH CHUCK 13AUG2016	NAME PV EDGE ASSEMBLY, WITHOUT FLAP, OMEGA CLIP															
<table border="0"> <tr><td>0 PLC</td><td>±0.50</td></tr> <tr><td>1 PLC</td><td>±0.25</td></tr> <tr><td>2 PLC</td><td>±0.13</td></tr> <tr><td>3 PLC</td><td>±</td></tr> <tr><td>4 PLC</td><td>±</td></tr> <tr><td>ANGLES</td><td>±</td></tr> <tr><td>FINISH</td><td>-</td></tr> </table>		0 PLC	±0.50	1 PLC	±0.25	2 PLC	±0.13	3 PLC	±	4 PLC	±	ANGLES	±	FINISH	-	PRODUCT SPEC 108-32122	SIZE A2	
0 PLC	±0.50																	
1 PLC	±0.25																	
2 PLC	±0.13																	
3 PLC	±																	
4 PLC	±																	
ANGLES	±																	
FINISH	-																	
MATERIAL		APPLICATION SPEC 114-32157	DRAWING NO C-2306317															
		WEIGHT -	RESTRICTED TO -															
		CUSTOMER DRAWING	SCALE 5:1 SHEET 3 OF 4 REV A															

THIS DRAWING IS UNPUBLISHED. RELEASED FOR PUBLICATION
 © COPYRIGHT copyright.d8te- ALL RIGHTS RESERVED.

REVISIONS				
P	LTR	DESCRIPTION	DATE	APVD
-		SEE SHEET 1	-	-

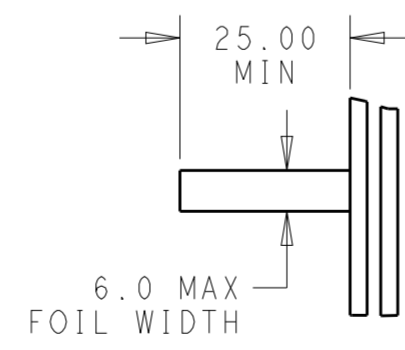
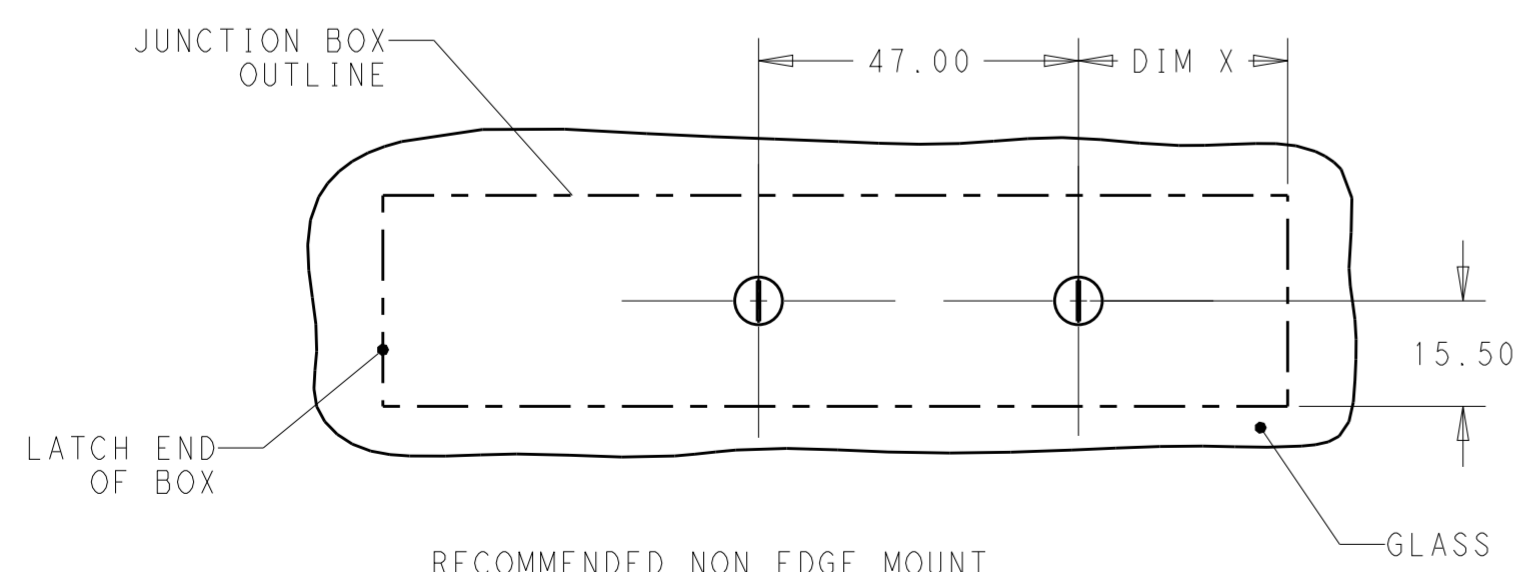


0.8 MAX TO BOTTOM SIDE OF FOIL FROM BOTTOM SIDE OF GLASS
 SEE 114-32157 FOR FOIL THICKNESS RANGE



SEE 114-32157 FOR FOIL THICKNESS RANGE

RECOMMENDED NON EDGE MOUNT (NORTH-SOUTH PV PANEL FOIL ORIENTATION)



RECOMMENDED NON EDGE MOUNT (EAST-WEST PV PANEL FOIL ORIENTATION)

THIS DRAWING IS A CONTROLLED DOCUMENT.		DWN RAVLS 13AUG2016	TE Connectivity	
DIMENSIONS: mm		CHK GINGRICH CHUCK 13AUG2016		
TOLERANCES UNLESS OTHERWISE SPECIFIED:		APVD GINGRICH CHUCK 13AUG2016	NAME PV EDGE ASSEMBLY, WITHOUT FLAP, OMEGA CLIP	
0 PLC ±0.50		PRODUCT SPEC 108-32122	RESTRICTED TO	
1 PLC ±0.25		APPLICATION SPEC 114-32157	SIZE A2	CAGE CODE C-2306317
2 PLC ±0.13		WEIGHT -	SCALE 5:1	SHEET 4 OF 4
3 PLC ±		CUSTOMER DRAWING	REV A	
4 PLC ±				
ANGLES ±				
FINISH -				

Компания «Life Electronics» занимается поставками электронных компонентов импортного и отечественного производства от производителей и со складов крупных дистрибьюторов Европы, Америки и Азии.

С конца 2013 года компания активно расширяет линейку поставок компонентов по направлению коаксиальный кабель, кварцевые генераторы и конденсаторы (керамические, пленочные, электролитические), за счёт заключения дистрибьюторских договоров

Мы предлагаем:

- Конкурентоспособные цены и скидки постоянным клиентам.
- Специальные условия для постоянных клиентов.
- Подбор аналогов.
- Поставку компонентов в любых объемах, удовлетворяющих вашим потребностям.
- Приемлемые сроки поставки, возможна ускоренная поставка.
- Доставку товара в любую точку России и стран СНГ.
- Комплексную поставку.
- Работу по проектам и поставку образцов.
- Формирование склада под заказчика.
- Сертификаты соответствия на поставляемую продукцию (по желанию клиента).
- Тестирование поставляемой продукции.
- Поставку компонентов, требующих военную и космическую приемку.
- Входной контроль качества.
- Наличие сертификата ISO.

В составе нашей компании организован Конструкторский отдел, призванный помогать разработчикам, и инженерам.

Конструкторский отдел помогает осуществить:

- Регистрацию проекта у производителя компонентов.
- Техническую поддержку проекта.
- Защиту от снятия компонента с производства.
- Оценку стоимости проекта по компонентам.
- Изготовление тестовой платы монтаж и пусконаладочные работы.



Тел: +7 (812) 336 43 04 (многоканальный)

Email: org@lifeelectronics.ru