

High Quality Interconnect Products For Military and Aerospace Applications

Amphenol

Amphenol Pcd



Terminal Junction Systems

MIL-T-81714 Series I Class D



MIL-T-81714 Series I Junction Modules

QPL-approved MIL-T-81714 modules and MIL-C-39029/1 contacts are available in four standard sizes accommodating 12-26 AWG wires in both feedback and feedthru types with full a selection of bussing arrangements. The complete MIL-T-81714 Series I Terminal Junction System includes the following products.



Feedback Modules
Feedthru Modules



Electronic Modules



Ground Modules



Single In-Line Splices
Dual In-Line Splices
Electronic Splices



Mounting Tracks

Key Features and Benefits

Integral Socket/Bus Bar

The patented integral socket/bus bar assembly provides superior electrical characteristics and assures mechanical integrity over a long product life. This unique design totally eliminates all solder of welded joints which could cause variation in electrical and/or mechanical performance

Integral Contacts

Integral female contacts and bus bar have no mechanical functions- only the electrical conductivity function and are highly conductive alloy for optimum electrical performance.

Split Socket Design

Split Socket Design, conforming to the mating pin diameter, provides peripheral surface wipe and contact, while utilizing the maximum mating surfaces of pin and socket.

High Density Modules

A recently introduced series of high density modules which conform to all dimensional and performance requirements of MIL-T-81714/17 is now available from Amphenol Pcd. The high density modules accept 21 size 22 contacts in a compact 3x7 configuration, with a wide variety of bus arrangements. The construction features one-piece screw machine contacts with a split socket design for maximum performance. Contacts are securely packaged within a polyetherimide housing.

Class D Modules System

Amphenol Pcd was the first supplier to qualify module and track systems to high performance MIL-T-81714 Series I Class D requirements. Class D systems combine the maximum high temperature and high fluid resistance performance parameters previously divided among three module classes A,B, and C.

Electronic Splices

TJSE electronic modules can be supplied with a wide variety of diodes, resistors, capacitors, and fuses within the splice itself. TJSE electronic splices meet the electrical parameters of MIL-81714/24 and allow customers to incorporate system modifications into a wire bundle, avoiding changes in panles modules.



Military Qualified, QPL-Listed

MIL-T-81714 Series I, Class D

Class D Feedback Modules

| Military P/N | Amphenol Pcd P/N | Page |
|---------------|------------------|------|
| M81714/1-DA1 | TJM122701 | 36 |
| M81714/1-DB1 | TJM122702 | 36 |
| M81714/1-DB2 | TJM122703 | 36 |
| M81714/1-DB3 | TJM122704 | 36 |
| M81714/1-DC1 | TJM122705 | 36 |
| M81714/1-DC2 | TJM122706 | 36 |
| M81714/1-DC3 | TJM122710 | 36 |
| M81714/1-DC4 | TJM122712 | 36 |
| M81714/1-DD1 | TJM122707 | 36 |
| M81714/1-DD2 | TJM122711 | 36 |
| M81714/1-DE1 | TJM122708 | 36 |
| | | |
| M81714/2-DA1 | TJM120701 | 37 |
| M81714/2-DB1 | TJM120702 | 37 |
| M81714/2-DB2 | TJM120703 | 37 |
| M81714/2-DB3 | TJM120704 | 37 |
| M81714/2-DC1 | TJM120705 | 37 |
| M81714/2-DC2 | TJM120706 | 37 |
| M81714/2-DC3 | TJM120710 | 37 |
| M81714/2-DC4 | TJM120712 | 37 |
| M81714/2-DD1 | TJM120707 | 37 |
| M81714/2-DD2 | TJM120711 | 37 |
| M81714/2-DE1 | TJM120708 | 37 |
| | | |
| M81714/3-DA1 | TJM116701 | 38 |
| M81714/3-DB1 | TJM116702 | 38 |
| M81714/3-DB2 | TJM116703 | 38 |
| M81714/3-DC1 | TJM116705 | 38 |
| M81714/3-DC2 | TJM116706 | 38 |
| M81714/3-DD1 | TJM116707 | 38 |
| | | |
| M81714/4-DA1 | TJM112701 | 39 |
| M81714/4-DB1 | TJM112702 | 39 |
| M81714/4-DB2 | TJM112703 | 39 |
| M81714/4-DC1 | TJM112705 | 39 |
| M81714/4-DC2 | TJM112706 | 39 |
| M81714/4-DD1 | TJM112707 | 39 |
| | | |
| M81714/17-D30 | TJHD22700 | 40 |
| M81714/17-D31 | TJHD22701 | 40 |
| M81714/17-D32 | TJHD22702 | 40 |
| M81714/17-D33 | TJHD22703 | 40 |
| M81714/17-D34 | TJHD22704 | 40 |
| M81714/17-D35 | TJHD22705 | 40 |
| M81714/17-D36 | TJHD22706 | 40 |
| M81714/17-D37 | TJHD22707 | 40 |
| M81714/17-D38 | TJHD22708 | 40 |
| M81714/17-D39 | TJHD22709 | 40 |
| M81714/17-D40 | TJHD22710 | 40 |
| M81714/17-D42 | TJHD22712 | 40 |
| M81714/17-D43 | TJHD22713 | 40 |
| M81714/17-D44 | TJHD22714 | 40 |
| M81714/17-D45 | TJHD22715 | 40 |

Class D Feedthru Modules

| Military P/N | Amphenol Pcd P/N | Page |
|--------------|------------------|------|
| M81714/6-DA1 | TJM222701 | 36 |
| M81714/6-DB1 | TJM222702 | 36 |
| M81714/6-DB2 | TJM222703 | 36 |
| M81714/6-DB3 | TJM222704 | 36 |
| M81714/6-DC1 | TJM222705 | 36 |
| M81714/6-DC2 | TJM222706 | 36 |
| M81714/6-DD1 | TJM222707 | 36 |
| M81714/6-DE1 | TJM222708 | 36 |
| M81714/6-DJ1 | TJM222709 | 36 |
| | | |
| M81714/7-DA1 | TJM220701 | 37 |
| M81714/7-DB1 | TJM220702 | 37 |
| M81714/7-DB2 | TJM220703 | 37 |
| M81714/7-DB3 | TJM220704 | 37 |
| M81714/7-DC1 | TJM220705 | 37 |
| M81714/7-DC2 | TJM220706 | 37 |
| M81714/7-DD1 | TJM220707 | 37 |
| M81714/7-DE1 | TJM220708 | 37 |
| M81714/7-DJ1 | TJM220709 | 37 |
| | | |
| M81714/8-DA1 | TJM216701 | 38 |
| M81714/8-DB1 | TJM216702 | 38 |
| M81714/8-DB2 | TJM216703 | 38 |
| M81714/8-DC1 | TJM216705 | 38 |
| M81714/8-DC2 | TJM216706 | 38 |
| M81714/8-DD1 | TJM216707 | 38 |
| M81714/8-DG1 | TJM216708 | 38 |
| M81714/8-DH1 | TJM216709 | 38 |
| | | |
| M81714/9-DA1 | TJM212701 | 39 |
| M81714/9-DB2 | TJM212702 | 39 |
| M81714/9-DB3 | TJM212703 | 39 |
| M81714/9-DC1 | TJM212705 | 39 |
| M81714/9-DC2 | TJM212706 | 39 |
| M81714/9-DD1 | TJM212707 | 39 |
| M81714/9-DH1 | TJM212709 | 39 |

Terminal Junction Modules

M81714/1, /6 Series I Size 22 Class D



Operating Range

Temperature:
-65°C to 200°C
Insulation Resistance:
5000 Megaohms @ 25°C
Dielectric Withstanding Voltage:
1500 VRMS at Sea Level
200 VRMS at 100,000 ft.
Current Rating
5 Amps
Vibration & Shock:
MIL-T-81714 Paragraph
3.5.5 and 3.5.8

Materials

Module Body:
Polyetherimide per ASTM-D5205
Grommet:
Silicone Blend Elastomer per A-A-59588
Contact Retainers:
Stainless Steel
Internal Socket Contacts:
Copper Alloy, Hard Gold Plated in
Accordance with MIL-G-45204
Accepts Multiple Wire Sizes:
Size 22, 24, 26 AWG

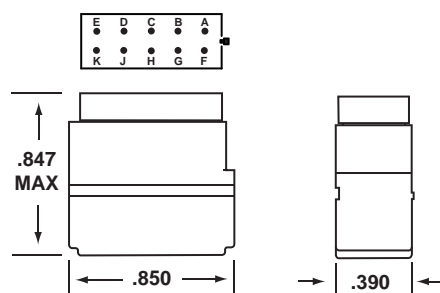
Amphenol Pcd Terminal Junction Modules

| Bussing Configurations | Feedback | | Feedthru | | Contact | | |
|------------------------|--------------|-----------|--------------|-----------|---------|-------------------|------------|
| | Military P/N | APCD P/N | Military P/N | APCD P/N | QTY* | Size ¹ | P/N M39029 |
| | M81714/1-DA1 | TJM122701 | M81714/6-DA1 | TJM222701 | 10 | 16/22 | /1-100 |
| | M81714/1-DB1 | TJM122702 | M81714/6-DB1 | TJM222702 | 10 | 16/22 | /1-100 |
| | M81714/1-DB2 | TJM122703 | M81714/6-DB2 | TJM222703 | 10 | 16/22 | /1-100 |
| | M81714/1-DB3 | TJM122704 | M81714/6-DB3 | TJM222704 | 10 | 16/22 | /1-100 |
| | M81714/1-DC1 | TJM122705 | M81714/6-DC1 | TJM222705 | 10 | 16/22 | /1-100 |
| | M81714/1-DC2 | TJM122706 | M81714/6-DC2 | TJM222706 | 10 | 16/22 | /1-100 |
| | M81714/1-DC3 | TJM122710 | | | 10 | 16/22 | /1-100 |
| | M81714/1-DC4 | TJM122712 | | | 10 | 16/22 | /1-100 |
| | M81714/1-DD1 | TJM122707 | M81714/6-DD1 | TJM222707 | 10 | 16/22 | /1-100 |
| | M81714/1-DD2 | TJM122711 | | | 10 | 16/22 | /1-100 |
| | M81714/1-DE1 | TJM122708 | M81714/6-DE1 | TJM222708 | 10 | 16/22 | /1-100 |
| | | | M81714/6-DJ1 | TJM222709 | 10 | 16/22 | /1-100 |

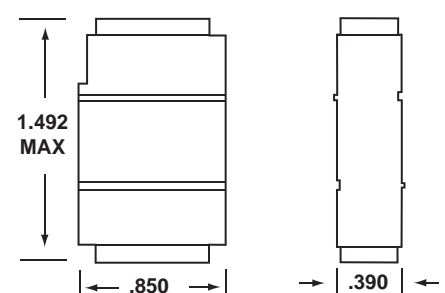
* Contact quantity for feedthru is double feedback. Quantity figure denotes number of contacts accommodated by module. Modules are supplied with one additional spare contact and sealing plug.
¹ Mating Pin / Wire Barrel

Terminal Junction Module Dimensions

Feedback Dimensions



Feedthru Dimensions



M81714/2, /7

Series I Size 20 Class D

Operating Range

Temperature:

-65°C to 200°C

Insulation Resistance:

5000 Megaohms @ 25°C

Dielectric Withstanding Voltage:

1500 VRMS at Sea Level

200 VRMS at 100,000 ft.

Current Rating

7.5 Amps

Vibration & Shock:

MIL-T-81714 Paragraph

3.5.5 and 3.5.8

Materials

Module Body:

Polyetherimide per ASTM-D5205

Grommet:

Silicone Blend Elastomer per A-A-59588

Contact Retainers:

Stainless steel

Socket Contacts:

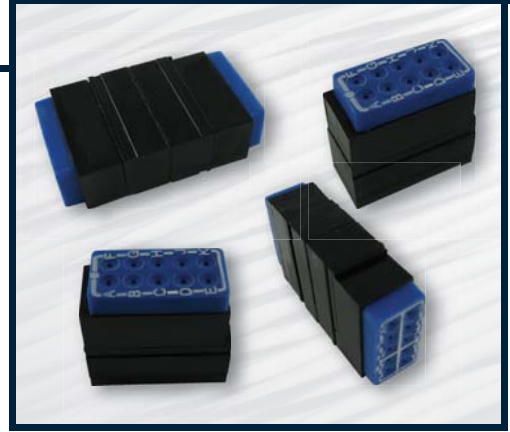
Copper Alloy, Hard Gold Plated in

Accordance with MIL-G-45204

Accepts Multiple Wire Sizes:

Size 20, 22, 24 AWG

Terminal Junction Modules



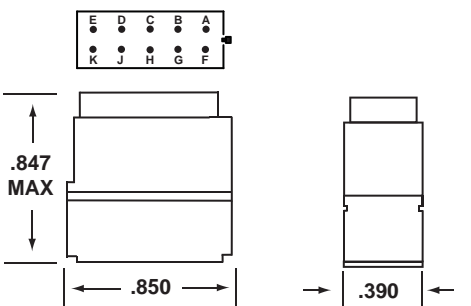
Amphenol Pcd Terminal Junction Modules

| Bussing Configurations | Feedback | | Feedthru | | QTY* | Size ¹ | P/N M39029 |
|------------------------|--------------|-----------|--------------|-----------|------|-------------------|------------|
| | Military P/N | APCD P/N | Military P/N | APCD P/N | | | |
| | M81714/2-DA1 | TJM120701 | M81714/7-DA1 | TJM220701 | 10 | 16/20 | /1-101 |
| | M81714/2-DB1 | TJM120702 | M81714/7-DB1 | TJM220702 | 10 | 16/20 | /1-101 |
| | M81714/2-DB2 | TJM120703 | M81714/7-DB2 | TJM220703 | 10 | 16/20 | /1-101 |
| | M81714/2-DB3 | TJM120704 | M81714/7-DB3 | TJM220704 | 10 | 16/20 | /1-101 |
| | M81714/2-DC1 | TJM120705 | M81714/7-DC1 | TJM220705 | 10 | 16/20 | /1-101 |
| | M81714/2-DC2 | TJM120706 | M81714/7-DC2 | TJM220706 | 10 | 16/20 | /1-101 |
| | M81714/2-DC3 | TJM120710 | | | 10 | 16/20 | /1-101 |
| | M81714/2-DC4 | TJM120712 | | | 10 | 16/20 | /1-101 |
| | M81714/2-DD1 | TJM120707 | M81714/7-DD1 | TJM220707 | 10 | 16/20 | /1-101 |
| | M81714/2-DD2 | TJM120711 | | | 10 | 16/20 | /1-101 |
| | M81714/2-DE1 | TJM120708 | M81714/7-DE1 | TJM220708 | 10 | 16/20 | /1-101 |
| | | | M81714/7-DJ1 | TJM220709 | 10 | 16/20 | /1-101 |

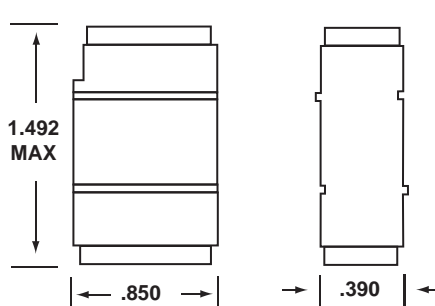
* Contact quantity for feedthru is double feedback. Quantity figure denotes number of contacts accommodated by module. Modules are supplied with one additional spare contact and sealing plug.
¹ Mating Pin / Wire Barrel

Terminal Junction Module Dimensions

Feedback Dimensions



Feedthru Dimensions



Amphenol Pcd

Terminal Junction Modules

M81714/3, /8 Series I Size 16 Class D



Operating Range

Temperature:
-65°C to 200°C

Insulation Resistance:
5000 Megaohms @ 25°C

Dielectric Withstanding Voltage:
1500 VRMS at Sea Level
200 VRMS at 100,000 ft.

Current Rating
13 Amps

Vibration & Shock:
MIL-T-81714 Paragraph
3.5.5 and 3.5.8

Materials

Module Body:
Polyetherimide per ASTM-D5205

Grommet:
Silicone Blend Elastomer per A-A-59588

Contact Retainers:
Stainless Steel

Socket Contacts:
Copper Alloy, Hard Gold Plated in
Accordance with MIL-G-45204

Accepts Multiple Wire Sizes:
Size 16, 18, 20 AWG

Amphenol Pcd Terminal Junction Modules

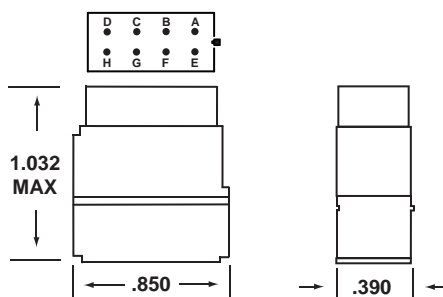
| Bussing Configurations | Feedback | | Feedthru | | Contact | | |
|------------------------|--------------|-----------|--------------|-----------|---------|-------------------|------------|
| | Military P/N | APCD P/N | Military P/N | APCD P/N | QTY* | Size ¹ | P/N M39029 |
| | M81714/3-DA1 | TJM116701 | M81714/8-DA1 | TJM216701 | 8 | 14/16 | /1-102 |
| | M81714/3-DB1 | TJM116702 | M81714/8-DB1 | TJM216702 | 8 | 14/16 | /1-102 |
| | M81714/3-DB2 | TJM116703 | M81714/8-DB2 | TJM216703 | 8 | 14/16 | /1-102 |
| | M81714/3-DC1 | TJM116705 | M81714/8-DC1 | TJM216705 | 8 | 14/16 | /1-102 |
| | M81714/3-DC2 | TJM116706 | M81714/8-DC2 | TJM216706 | 8 | 14/16 | /1-102 |
| | M81714/3-DD1 | TJM116707 | M81714/8-DD1 | TJM216707 | 8 | 14/16 | /1-102 |
| | | | M81714/8-DG1 | TJM216708 | 8 | 14/16 | /1-102 |
| | | | M81714/8-DH1 | TJM216709 | 8 | 14/16 | /1-102 |

* Contact quantity for feedthru is double feedback. Quantity figure denotes number of contacts accommodated by module. Modules are supplied with one additional spare contact and sealing plug.
¹ Mating Pin / Wire Barrel

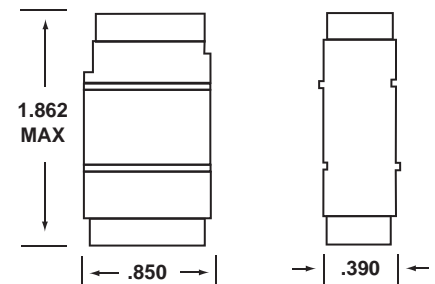
Terminal Junction Module Dimensions



Feedback Dimensions



Feedthru Dimensions



M81714/4, /9

Series I Size 12 Class D

Terminal Junction Modules

Operating Range

Temperature:

-65°C to 200°C

Insulation Resistance:

5000 Megaohms @ 25°C

Dielectric Withstanding Voltage:

1500 VRMS at Sea Level

200 VRMS at 100,000 ft.

Current Rating

23 Amps

Vibration & Shock:

MIL-T-81714 Paragraph

3.5.5 and 3.5.8

Materials

Module Body:

Polyetherimide per ASTM-D5205

Grommet:

Silicone Blend Elastomer per A-A-59588

Contact Retainers:

Stainless steel

Internal Socket Contacts:

Copper Alloy, Hard Gold Plated in

Accordance with MIL-G-45204

Accepts Multiple Wire Sizes:

Size 12, 14 AWG



Terminal Junction Modules

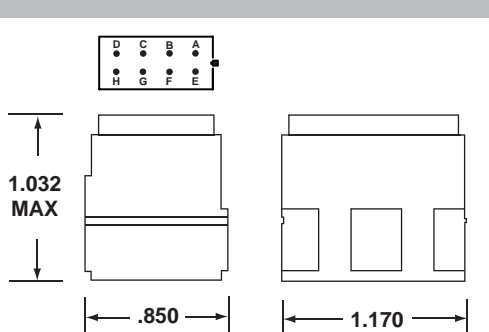
| Bussing Configurations | Feedback | | Feedthru | | Contact | | |
|------------------------|--------------|-----------|---------------|-----------|---------|-------------------|------------|
| | Military P/N | APCD P/N | Military P/N | APCD P/N | QTY* | Size ¹ | P/N M39029 |
| | M81714/4-DA1 | TJM112701 | M81714/9-DA1 | TJM212701 | 8 | 12/12 | /1-103 |
| | M81714/4-DB1 | TJM112702 | M81714/9-DB1 | TJM212702 | 8 | 12/12 | /1-103 |
| | M81714/4-DB2 | TJM112703 | M81714/9-DB2 | TJM212703 | 8 | 12/12 | /1-103 |
| | M81714/4-DC1 | TJM112705 | M/81714/9-DC1 | TJM212705 | 8 | 12/12 | /1-103 |
| | M81714/4-DC2 | TJM112706 | M81714/9-DC2 | TJM212706 | 8 | 12/12 | /1-103 |
| | M81714/4-DD1 | TJM112707 | M81714/9-DD1 | TJM212707 | 8 | 12/12 | /1-103 |
| | | | M81714/9-DH1 | TJM212709 | 8 | 12/12 | /1-103 |

* Contact quantity for feedthru is double feedback. Quantity figure denotes number of contacts accommodated by module. Modules are supplied with one additional spare contact and sealing plug.

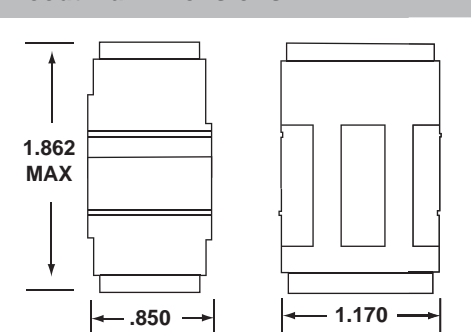
¹ Mating Pin / Wire Barrel

Terminal Junction Module Dimensions

Feedback Dimensions



Feedthru Dimensions



Amphenol Pcd

M81714/17 High Density Modules

Series I Size 22D Class D

Terminal Junction Modules



Operating Range

Temperature:
-65°C to 200°C

Insulation Resistance:
5000 Megaohms @ 25°C

Dielectric Withstanding Voltage:
1000 VRMS at Sea Level
200 VRMS at 110,000 ft.

Current Rating
5 Amps

Vibration & Shock:
MIL-T-81714 Paragraph
3.5.5 and 3.5.8

Materials

Module Body:
Polyetherimide per ASTM-D5205

Grommet:
Silicone Blend Elastomer per A-A-59588

Contact Retainers:
Stainless Steel

Internal Socket Contacts:
Copper Alloy, Hard Gold Plated in
Accordance with MIL-G-45204

Accepts Multiple Wire Sizes:
Size 22, 26 AWG

Amphenol Pcd Terminal Junction Modules

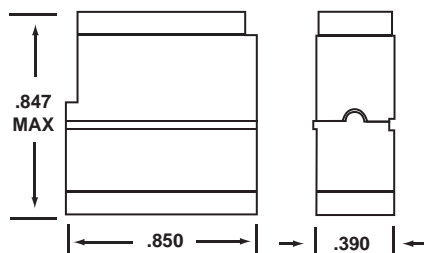
| Bussing Configurations | Feedback | |
|------------------------|---------------|-----------|
| | Military P/N | APCD P/N |
| | M81714/17-D30 | TJHD22700 |
| | M81714/17-D31 | TJHD22701 |
| | M81714/17-D32 | TJHD22702 |
| | M81714/17-D33 | TJHD22703 |
| | M81714/17-D34 | TJHD22704 |
| | M81714/17-D35 | TJHD22705 |
| | M81714/17-D36 | TJHD22706 |
| | M81714/17-D37 | TJHD22707 |

| Bussing Configurations | Feedback | |
|------------------------|---------------|-----------|
| | Military P/N | APCD P/N |
| | M81714/17-D38 | TJHD22708 |
| | M81714/17-D39 | TJHD22709 |
| | M81714/17-D40 | TJHD22710 |
| | M81714/17-D42 | TJHD22712 |
| | M81714/17-D43 | TJHD22713 |
| | M81714/17-D44 | TJHD22714 |
| | M81714/17-D45 | TJHD22715 |

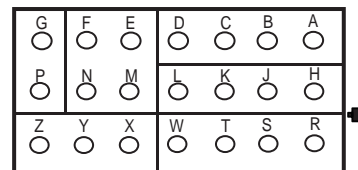
Contacts Supplied: M39029/1-507 Qty 22

Terminal Junction Module Dimensions

Feedback Dimensions



Bussing Configuration



Contacts Supplied: M39029/1-507
Quantity Supplied: 22



M81714/27 Ground Stud Modules

Series II Size 22, 20, 16, 12, Class D

Operating Range

Temperature:

-65°C to 200°C

Current Rating

5 Amps (Size 22)

7.5 Amps (Size 20)

13 Amps (Size 16)

23 Amps (Size 12)

Vibration & Shock:

MIL-T-81714 Paragraph

3.5.5 and 3.5.8

Materials

Module Body:

Polyetherimide per ASTM-D5205

Grommet:

Silicone Blend Elastomer per A-A-59588

Mounting Stud:

Copper Alloy, Gold Plated per

SAE-AMS-2422.

Contact Retainers:

Stainless Steel

Internal Socket Contacts:

Copper Alloy, Hard Gold Plated in

Accordance with MIL-G-45204

Terminal Junction Modules



Terminal Grounding Modules Part Numbers

| Part Numbers | | Contact | | |
|-------------------------|-----------|---------|-------------------|------------|
| Military Equivalent P/N | APCD P/N | QTY* | Size ¹ | P/N M39029 |
| M81714/27-22 | TJG122701 | 10 | 16/22 | /1-100 |
| M81714/27-20 | TJG120701 | 10 | 16/20 | /1-101 |
| M81714/27-16 | TJG116701 | 8 | 14/16 | /1-102 |
| M81714/27-12 | TJG112701 | 8 | 12/12 | /1-103 |

* Mating End/ Wire Barrel

¹ Quantity figure denotes number of contacts accommodated by module. Modules are supplied with two additional spare contacts and sealing plugs

Product Description

Multi-contact grounding/bus connection modules are provided with an integral threaded grounding stud. The stud is electrically and mechanically common to all internal contacts of the module.

Electrical connection and mechanical mounting are achieved through a single #10-32 stud. The modules are dimensional identical to the equivalent MIL-T-81714/27 grounding stud modules.

Direct mounting to a ground plane or ground wire with the terminal lug creates a convenient multi-wire sealed grounding device.

Direct attachment to a bus bar transforms the device into a bus connection module for multi-contact power distribution, sensing or metering.

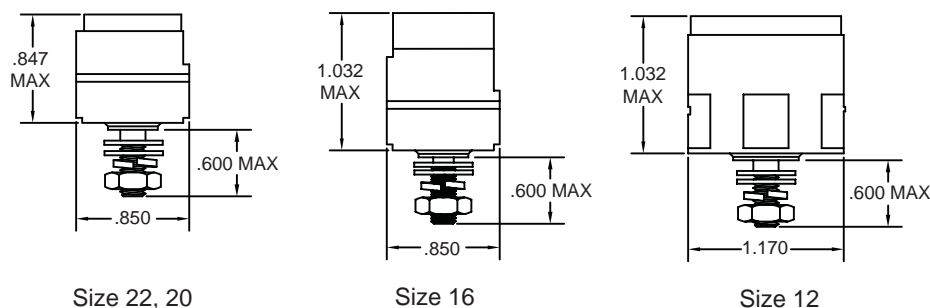
All modules are furnished with complete mounting hardware.

Terminal Junction Module Dimensions

Top View



Side View



Amphenol Pcd

Electronic Terminal Junction Modules

MIL-T-81714/26 Compatible Class D

Terminal Junction Modules



Operating Range

Temperature:
-65°C to 200°C*

Insulation Resistance:
5000 Megaohms Min. @ 25°C*

Dielectric Withstanding Voltage:
1500 VRMS at Sea Level
200 VRMS at 100,000 ft.*

Vibration & Shock:
Per MIL-T-81714
Paragraph 3.5.5 & 3.5.9*

Current Rating:
7.5 amps*

Materials

Module Body:
Polyetherimide per ASTM-D-5205

Grommet:
Silicone Rubber per A-A-59588

Contact Retainers:
Stainless Steel

Internal Contact:
Copper Alloy, Gold Finish

* May vary due to internal electronic component

Amphenol Pcd Terminal Junction Module

Product Description

Electronic Terminal Junction modules meet all dimensional and performance requirements of M81714/26 and are specifically developed for electronic component packaging. Available for size 20 and 22 contacts, these modules function as highly efficient and reliable Electronic component packages. They improve system efficiency and density by permitting various electronic components such as diodes, resistors, fuses, and capacitors, which usually take up valuable space elsewhere in the system, to be securely packaged within the module housing.

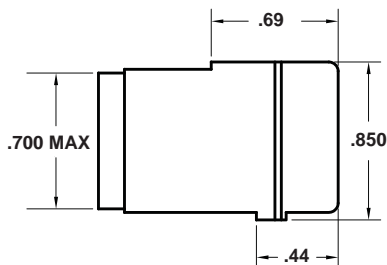
Amphenol Pcd electronic modules offer significant design, material and construction improvements over competitive modules. Hand soldering operations have been completely eliminated. Electronic components are encapsulated in a semi-rigid elastomer that provides electrical spacing and insulation as well as shock and vibration protection.

Typical commercially available diode configurations are indicated on this page. A broad variety of additional configurations are available, and modules can be customized to meet specific customer designs. Please contact Amphenol Pcd to review requirements and discuss available options.

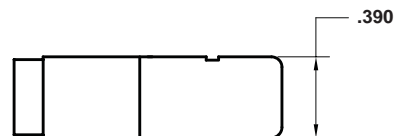
| Circuit Diagram | APCD P/N | Diode P/N | Quantity |
|-----------------|-----------|-------------|----------|
| | TJE120810 | JANTX1N5552 | 5 |
| | TJE120811 | JANTX1N5552 | 4 |
| | TJE120815 | 1N4005 | 2 |
| | TJE120998 | BYW56 | 2 |
| | TJE120999 | BYW56 | 2 |

Terminal Junction Module Dimensions

Top View



Side View



Electronic Terminal Junction Modules

MIL-T-81714/26 Compatible Class D

Terminal Junction Modules

Amphenol Pcd's Electronic Terminal Junction Modules are available with a variety of components and in a wide range of configurations. Components available include but are not limited to diodes, resistors, fuses, capacitors, thyristors, and inductors, and are also available with multiple components within one module. The following are currently available Electronic Terminal Junction Modules, although there are new configurations produced regularly and customized components are also available.



Amphenol Pcd Electronic Terminal Junction Modules

| Circuit Diagram | APCD P/N | Part | Part P/N | Quantity |
|-----------------|-----------|-----------|-------------|----------|
| | TJE120514 | Capacitor | 620pF | 1 |
| | TJE120816 | Diode | IN4003 | 3 |
| | TJE120817 | Diode | IN4003 | 2 |
| | TJE120818 | Diode | IN4003 | 3 |
| | TJE120819 | Diode | IN4003 | 3 |
| | TJE120820 | Diode | IN4003 | 3 |
| | TJE120822 | Diode | IN4007 | 5 |
| | TJE120824 | Diode | JANTX1N5618 | 5 |
| | TJE120826 | Diode | IN4006 | 2 |
| | TJE120827 | Diode | JANTX1N5552 | 2 |
| | TJE120828 | Diode | JANTX1N5618 | 2 |
| | TJE120829 | Diode | 1N5618 | 2 |
| | TJE120831 | Diode | 1N5618 | 2 |
| | TJE120833 | Diode | 1N5418 | 2 |

| Circuit Diagram | APCD P/N | Part | Part P/N | Quantity |
|-----------------|-----------|----------|--------------------------|----------|
| | TJE120900 | Resistor | 10 K Ω , 1/8 W | 5 |
| | TJE120902 | Resistor | 150K Ω , 1/8 W | 5 |
| | TJE120903 | Resistor | 33 Ω , 1/4 W | 2 |
| | TJE120904 | Resistor | 1K Ω , 1/8 W | 2 |
| | TJE120905 | Resistor | 1K Ω , 1/2 W | 2 |
| | TJE120906 | Resistor | 150 Ω , 1/2 W | 1 |
| | TJE120907 | Resistor | 180 Ω , 1/2 W | 1 |
| | TJE120908 | Resistor | Various Ω , 1/2 W | 5 |
| | TJE120920 | Resistor | 54K, 6K Ω , 1/2W | 2 |
| | TJE120921 | Resistor | 500K Ω , 1 W | 5 |
| | TJE120922 | Resistor | Various Ω , 1/2 W | 5 |
| | TJE120924 | Resistor | 1K Ω , 1/4 W | 4 |
| | TJE120927 | Fuse | 1 AMP | 5 |
| | TJE120928 | Resistor | 1.3K Ω , 1/2 W | 5 |

Terminal Junction Splices

Single/ Dual/ Diode M81714/11, /12,/24 Series I

Terminal Junction Splices



Operating Range

Temperature:
-65°C to 200°C
Insulation Resistance:
5000 Megaohms Min.
Dielectric Withstanding Voltage:
1500 VRMS at Sea Level
200 VRMS at 100,000 ft.
Vibration & Shock:
Per AS-81714
Paragraph 3.5.5 & 3.5.8

Materials

Insulator Body:
Polyetherimide per ASTM-D-5205
Grommet:
Silicone Rubber per A-A-59588
Internal Contact:
Copper Alloy, Gold Finish
Accordance with MIL-G-45204

Product Description

Single and Dual Splices and Electronic Splices are designed to provide a quick and efficient solution to customer wiring requirements.

Single and Dual Wire Splices meet MIL-T-81714/11 & 12 requirements and are highly resistant to temperature and fluids.

TJSE electronic modules can be supplied with a wide variety of diodes, resistors, capacitors, and fuses within the splice itself. TJSE electronic splices meet the electronic parameters of MIL-81714/24 and allow customers to incorporate system modifications into a wire bundle, avoiding changes in panels or boards.

Typical examples are represented to the right, but customer specific designs are welcomed, and an extensive list of existing splices are available on the next page.

Single Wire Splices

| | Contacts | | Part Numbers | | |
|--|---------------|-----------|--------------|-------|--------------|
| | Military P/N | APCD P/N | Quantity | Size* | Part No. |
| | M81714/11-22D | TJS322700 | 2 | 16/22 | M39029/1-100 |
| | M81714/11-20D | TJS320700 | 2 | 16/20 | M39029/1-101 |
| | M81714/11-12D | TJS316700 | 2 | 14/16 | M39029/1-102 |
| | M81714/11-16D | TJS312700 | 2 | 12/12 | M39029/1-103 |

Dual Wire Splices

| Bussing Type | Part Numbers | | Contacts | | Diameter | |
|--------------|---------------|-----------|----------|------------------|----------|------|
| | MIL P/N 81714 | APCD P/N | Quantity | Size* P/N M39029 | A | B |
| | /12-22D-1 | TJS322701 | 4 | 16/22 /1-100 | .400 | .275 |
| | /12-20D-1 | TJS320701 | 4 | 16/20 /1-101 | .400 | .275 |
| | /12-16D-1 | TJS316701 | 4 | 14/16 /1-102 | .500 | .300 |
| | /12-22D-2 | TJS322702 | 4 | 16/22 /1-100 | .400 | .275 |
| | /12-20D-2 | TJS320702 | 4 | 16/20 /1-101 | .400 | .275 |
| | /12-16D-2 | TJS316702 | 4 | 14/16 /1-102 | .500 | .300 |

Electronic Splices

| Circuit Type | Part Numbers | | Diode | | Contacts | |
|--------------|--------------|-------------|----------|-------|----------|------------|
| | APCD P/N | Diode P/N | Quantity | Size* | Quantity | P/N M39029 |
| | TJSE22707 | JANTX1N5622 | 1 | 16/22 | 4 | 1-100 |
| | TJSE20705 | JANTX1N5622 | 1 | 16/20 | 4 | 1-101 |
| | TJSE22709 | JANTX1N5622 | 2 | 16/22 | 4 | 1-100 |
| | TJSE20705 | JANTX1N5622 | 2 | 16/20 | 4 | 1-101 |

*Mating Pin Wire Barrel

Relay Socket Dimensions

Single Splice

1.552 Max
.250 ± .025 Diameter

Double Splice

Dimension C
Size 20/22 1.552 Max
Size 16 1.922 Max

Electronic Splice

2.000 Max
.275 Max

Electronic Terminal Junction Splices

MIL-T-81714/24 Compatible Class D

Terminal Junction Modules

Amphenol Pcd's Electronic Terminal Junction Splices are available with a variety of components and in a wide range of configurations. Components available include but are not limited to diodes, resistors, fuses, capacitors, thyristors, and inductors, and are also available with multiple components within one module. The following are currently available Electronic Terminal Junction Splices, although there are new configurations produced regularly and customized components are also available.



Amphenol Pcd Terminal Junction Splices

Circuit Diagram **APCD P/N** **Part** **Part P/N** **Quantity**

| | | | | |
|--|-----------|----------|---------------|---|
| | TJSE20501 | Inductor | 1 100 μ H | 1 |
|--|-----------|----------|---------------|---|

| | | | | |
|--|-----------|------|------------|---|
| | TJSE20503 | Fuse | 5 AMP 125V | 1 |
|--|-----------|------|------------|---|

| | | | | |
|--|-----------|----------|---------------------|---|
| | TJSE20505 | Resistor | RW81 38 Ω 1W | 1 |
|--|-----------|----------|---------------------|---|

| | | | | |
|--|-----------|----------|-------------------|---|
| | TJSE20506 | Resistor | 120 Ω 1/4W | 2 |
|--|-----------|----------|-------------------|---|

| | | | | |
|--|-----------|-------|-------|---|
| | TJSE20509 | Diode | 5 Amp | 2 |
|--|-----------|-------|-------|---|

| | | | | |
|--|-----------|-------|------------|---|
| | TJSE20510 | Diode | 1 Amp 125V | 1 |
|--|-----------|-------|------------|---|

| | | | | |
|--|-----------|-----------|-------|---|
| | TJSE20513 | Capacitor | 620pF | 1 |
|--|-----------|-----------|-------|---|

| | | | | |
|--|-----------|-----------|-------|---|
| | TJSE20520 | Capacitor | 390pF | 5 |
|--|-----------|-----------|-------|---|

| | | | | |
|--|-----------|----------|-------------------|---|
| | TJSE20523 | Resistor | 15K Ω 1/4W | 1 |
|--|-----------|----------|-------------------|---|

| | | | | |
|--|-----------|----------|-------------------|---|
| | TJSE20525 | Resistor | 10K Ω 1/4W | 1 |
|--|-----------|----------|-------------------|---|

| | | | | |
|--|-----------|----------|-------------------|---|
| | TJSE20526 | Resistor | 910 Ω 1/4W | 1 |
|--|-----------|----------|-------------------|---|

| | | | | |
|--|-----------|----------|------------------|---|
| | TJSE20553 | Resistor | 1K Ω 1/2W | 1 |
|--|-----------|----------|------------------|---|

| | | | | |
|--|-----------|----------|-------------------|---|
| | TJSE20554 | Resistor | 18K Ω 1/2W | 2 |
|--|-----------|----------|-------------------|---|

| | | | | |
|--|-----------|----------|-------------------|---|
| | TJSE20555 | Resistor | 18K Ω 1/2W | 1 |
|--|-----------|----------|-------------------|---|

Circuit Diagram **APCD P/N** **Part** **Part P/N** **Quantity**

| | | | | |
|--|-----------|-------|-------------|---|
| | TJSE20599 | Diode | JANTX1N5554 | 1 |
|--|-----------|-------|-------------|---|

| | | | | |
|--|-----------|-------|-------------|---|
| | TJSE20602 | Diode | JANTX1N5618 | 2 |
|--|-----------|-------|-------------|---|

| | | | | |
|--|-----------|-------|--------|---|
| | TJSE20703 | Diode | 1N5819 | 2 |
|--|-----------|-------|--------|---|

| | | | | |
|--|-----------|-------|-------------|---|
| | TJSE20705 | Diode | JANTX1N5622 | 1 |
|--|-----------|-------|-------------|---|

| | | | | |
|--|-----------|-------|-------------|---|
| | TJSE20706 | Diode | JANTX1N5622 | 2 |
|--|-----------|-------|-------------|---|

| | | | | |
|--|-----------|-------|--------|---|
| | TJSE20710 | Diode | 1N5622 | 1 |
|--|-----------|-------|--------|---|

| | | | | |
|--|-----------|-------|--------|---|
| | TJSE20711 | Diode | 1N4006 | 2 |
|--|-----------|-------|--------|---|

| | | | | |
|--|-----------|------|------------|---|
| | TJSE22503 | Fuse | 5 AMP 125V | 1 |
|--|-----------|------|------------|---|

| | | | | |
|--|-----------|----------|----------------------|---|
| | TJSE22514 | Resistor | 10K Ω , 1/4 W | 1 |
|--|-----------|----------|----------------------|---|

| | | | | |
|--|-----------|----------|--------------------|---|
| | TJSE22517 | Resistor | 120 Ω , 1 W | 1 |
|--|-----------|----------|--------------------|---|

| | | | | |
|--|-----------|----------|----------------------|---|
| | TJSE22523 | Resistor | 75K Ω , 1/2 W | 2 |
|--|-----------|----------|----------------------|---|

| | | | | |
|--|-----------|-------|-------------|---|
| | TJSE22707 | Diode | JANTX1N5622 | 2 |
|--|-----------|-------|-------------|---|

| | | | | |
|--|-----------|-------|--------|---|
| | TJSE20599 | Diode | 1N5622 | 1 |
|--|-----------|-------|--------|---|

| | | | | |
|--|-----------|----------|-----------------------|---|
| | TJSE20599 | Resistor | 78.7 Ω , 1/4 W | 2 |
|--|-----------|----------|-----------------------|---|



Operating Range

Temperature:
-65° to 200°C

Corrosion:

No Exposure of Base Metal
After 48 Hours of Salt Spray

Magnetic Permeability:
2.0 MU Max.

Vibration and Shock:

Per MIL-T-81714 Paragraph
3.5.5 and 3.5.8

Materials

Rail:

Aluminum Alloy, Black Anodized
Finish per MIL-A-8625

Locking Clamp Screw:

Corrosion Resistant, Passivated,
Self Locking

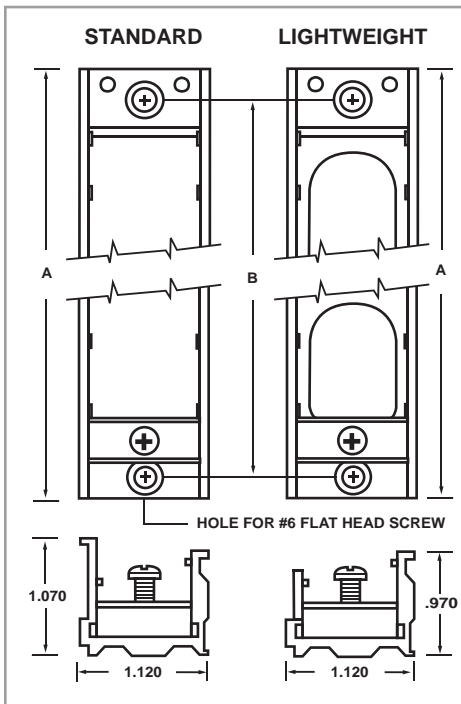
Product Description

Amphenol Pcd offers feedback and feedthru mounting tracks, as well as a light weight feedback type with weight reduction cutouts per MIL-T-81714/16 for weight critical applications.

One track holds all module sizes. With size 22,20,16 modules requiring one mounting space and size 12 requiring three.

Each track unit consists of an aluminum alloy track and MIL-T-81714/16 anodized black locking clamp. The stainless steel clamp screw is self locking to meet vibration, shock and temperature variation requirements.

Feedback Track Dimensions

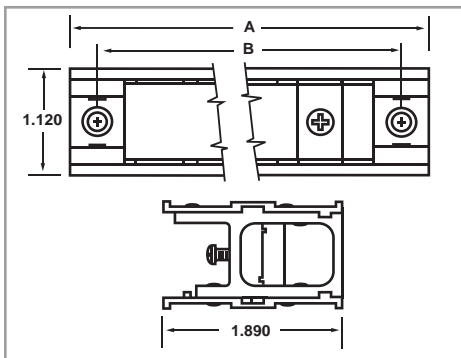


Feedback Mounting Tracks

| Standard | | Lightweight | | Dimensions | | |
|--------------|-----------|--------------|-----------|----------------|------|------|
| Military P/N | APCD P/N | Military P/N | APCD P/N | Mounting Pos.* | A | B |
| M81714/5-1 | TJT701010 | M81714/16-1 | TJT703010 | 10 | 5.29 | 4.79 |
| | TJT701002 | | TJT703002 | 2 | 2.17 | 1.67 |
| M81714/5-2 | TJT701003 | M81714/16-2 | TJT703003 | 3 | 2.56 | 2.06 |
| M81714/5-3 | TJT701004 | M81714/16-3 | TJT703004 | 4 | 2.95 | 2.45 |
| M81714/5-4 | TJT701005 | M81714/16-4 | TJT703005 | 5 | 3.34 | 2.84 |
| M81714/5-5 | TJT701006 | M81714/16-5 | TJT703006 | 6 | 3.73 | 3.23 |
| M81714/5-6 | TJT701007 | M81714/16-6 | TJT703007 | 7 | 4.12 | 3.62 |
| M81714/5-7 | TJT701008 | M81714/16-7 | TJT703008 | 8 | 4.51 | 4.01 |
| M81714/5-8 | TJT701009 | M81714/16-8 | TJT703009 | 9 | 4.90 | 4.40 |
| M81714/5-9 | TJT701011 | M81714/16-9 | TJT703011 | 11 | 5.68 | 5.18 |
| M81714/5-10 | TJT701012 | M81714/16-10 | TJT703012 | 12 | 6.07 | 5.57 |
| M81714/5-11 | TJT701013 | M81714/16-11 | TJT703013 | 13 | 6.46 | 5.96 |
| M81714/5-12 | TJT701014 | M81714/16-12 | TJT703014 | 14 | 6.85 | 6.35 |
| M81714/5-13 | TJT701015 | M81714/16-13 | TJT703015 | 15 | 7.24 | 6.74 |
| | TJT701016 | | TJT703016 | 16 | 7.63 | 7.13 |
| | TJT701017 | | TJT703017 | 17 | 8.02 | 7.52 |
| | TJT701018 | | TJT703018 | 18 | 8.41 | 7.91 |
| | TJT701019 | | TJT703019 | 19 | 8.80 | 8.30 |
| | TJT701020 | | TJT703020 | 20 | 9.19 | 8.69 |

*Divide by 3 for Size 12 Module Mounting

Feedthru Track Dimensions



Feedthru Mounting Tracks

| Standard | | Dimensions | | |
|--------------|-----------|----------------|------|------|
| Military P/N | APCD P/N | Mounting Pos.* | A" | B" |
| M81714/10-1 | TJT702010 | 10 | 5.55 | 5.05 |
| | TJT702002 | 2 | 2.43 | 1.91 |
| M81714/10-2 | TJT702003 | 3 | 2.82 | 2.32 |
| M81714/10-3 | TJT702004 | 4 | 3.21 | 2.71 |
| M81714/10-4 | TJT702005 | 5 | 3.60 | 3.10 |
| M81714/10-5 | TJT702006 | 6 | 3.90 | 3.49 |
| M81714/10-6 | TJT702007 | 7 | 4.38 | 3.88 |
| M81714/10-7 | TJT702008 | 8 | 4.77 | 4.27 |
| M81714/10-8 | TJT702009 | 9 | 5.16 | 4.66 |

*Divide by 3 for Size 12 Module Mounting

Socket Junction Systems

MIL-T-81714 Series I Class D



MIL-T-81714 Series II Junction Modules

The high pin count, low weight MIL-T-81714 Series II Socket Junction Module System is available in four basic module sizes, accommodating 12-26 AWG wire in a broad selection of bussing arrangements. Modules are supplied with the appropriate and specified MIL-C-39029/22 socket contacts.



Feedback Modules
Feedthru Modules
Distribution Modules



Board Mount Modules



Ground Modules



Sealed Splices



Mounting Tracks

Key Features and Benefits

Improved Performance

Significant Amphenol Pcd design innovations over conventional Series II systems assure superior performance in wire sealing, contact alignment and retention, and module extraction.

Feedback Modules

The SJM feedback modules and mounting track system offer a lightweight junction system with a full range of bussing arrangements.

Distribution Modules

Distribution modules provide a variety of contact combinations for power distribution applications and have the same construction and features as the standard Series II modules.

Ground Modules

SJM grounding modules are available in both center stud and mounting flange versions.

Board Mount Pin Modules

The socket junction modules indicate on the following pages can also be provided in a solder pin version for mounting directly to printed circuit boards, providing a flexible, compact wiring package and eliminating the need for mounting track.



Amphenol Pcd

Military Qualified, QPL-Listed MIL-T-81714 Series II, Class D

Socket Junction Modules

| Military P/N | Amphenol Pcd P/N | Page |
|-----------------|------------------|------|
| M81714/60-22-01 | SJM022100 | 49 |
| M81714/60-22-02 | SJM022200 | 49 |
| M81714/60-22-04 | SJM022400 | 49 |
| M81714/60-22-05 | SJM022500 | 49 |
| M81714/60-22-06 | SJM022600 | 49 |
| M81714/60-22-10 | SJM022700 | 49 |
| | | |
| M81714/60-20-01 | SJM020100 | 50 |
| M81714/60-20-02 | SJM020200 | 50 |
| M81714/60-20-03 | SJM020300 | 50 |
| M81714/60-20-04 | SJM020400 | 50 |
| M81714/60-20-06 | SJM020600 | 50 |
| | | |
| M81714/60-16-01 | SJM016100 | 51 |
| M81714/60-16-02 | SJM016200 | 51 |
| M81714/60-16-03 | SJM016300 | 51 |
| | | |
| | | 51 |
| M81714/60-12-01 | SJM012100 | 51 |
| M81714/60-12-02 | SJM012200 | 51 |
| M81714/60-12-03 | SJM012300 | 51 |
| | | |
| M81714/61-0Z | SJM000100 | 52 |
| M81714/61-0Y | SJM000800 | 52 |
| M81714/61-0X | SJM000200 | 52 |
| M81714/61-0W | SJM000300 | 52 |

Socket Grounding Modules

| Military P/N | Amphenol Pcd P/N | Page |
|---------------|------------------|------|
| M81714/63-22S | SJG022170 | 54 |
| M81714/63-20S | SJG020170 | 54 |
| M81714/63-16S | SJG016170 | 54 |
| M81714/63-22F | SJG022270 | 55 |
| M81714/63-20F | SJG020270 | 55 |
| M81714/63-16F | SJG016270 | 55 |
| M81714/63-12F | SJG016270 | 55 |

Socket Junction Module Mounting Track

| Military P/N | Amphenol Pcd P/N | Page |
|--------------|------------------|------|
| M81714/67-02 | SJT502404 | 59 |
| M81714/67-03 | SJT503404 | 59 |
| M81714/67-04 | SJT504404 | 59 |
| M81714/67-05 | SJT505404 | 59 |
| M81714/67-06 | SJT506404 | 59 |
| M81714/67-07 | SJT507404 | 59 |
| M81714/67-08 | SJT508404 | 59 |
| M81714/67-09 | SJT509404 | 59 |
| M81714/67-10 | SJT510404 | 59 |
| M81714/67-12 | SJT512404 | 59 |
| M81714/67-13 | SJT513404 | 59 |
| M81714/67-14 | SJT514404 | 59 |
| M81714/67-15 | SJT515404 | 59 |
| M81714/67-16 | SJT516404 | 59 |
| M81714/67-18 | SJT518404 | 59 |
| M81714/67-19 | SJT519404 | 59 |
| M81714/67-20 | SJT520404 | 59 |
| M81714/67-21 | SJT521404 | 59 |
| M81714/67-25 | SJT525404 | 59 |
| M81714/67-30 | SJT530404 | 59 |
| M81714/67-32 | SJT532404 | 59 |
| M81714/67-40 | SJT540404 | 59 |

In-Line Junction Splices

| Military P/N | Amphenol Pcd P/N | Page |
|----------------|------------------|------|
| M81714/65-16-1 | SJS316700 | 58 |
| M81714/65-20-1 | SJS320700 | 58 |
| M81714/65-22-1 | SJS322700 | 58 |
| M81714/65-16-2 | SJS316701 | 58 |
| M81714/65-20-2 | SJS320701 | 58 |
| M81714/65-22-2 | SJS322701 | 58 |

M81714/60-22

Series II Size 22

Operating Range

Temperature:

-65°C to 200°C

Insulation Resistance:

5000 Megaohms @ 25°C

Dielectric Withstanding Voltage:

1500 VRMS at Sea Level

200 VRMS at 110,000 ft.

Current Rating

5 Amps

Vibration & Shock:

MIL-T-81714 Paragraph

3.5.5 and 3.5.8

Materials

Module Body:

Polytherimide per ASTM-D5205

Grommet:

Silicone Blend Elastomer per A-A-59588

Contact Retainers:

Stainless Steel

Internal Pin and Socket Contacts:

Copper Alloy, Hard Gold Plated in

Accordance with MIL-G-45204

Socket Junction Modules



Amphenol Pcd Socket Junction Modules

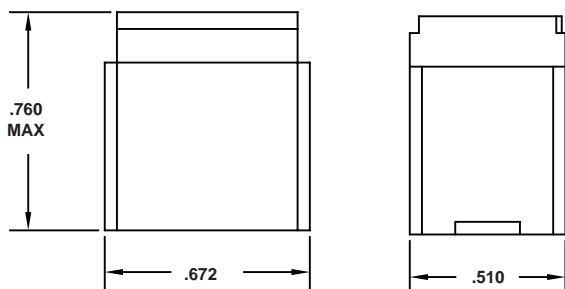
| Bussing Configurations | Part Numbers | | Contact | | |
|------------------------|-----------------|-----------|---------|-------------------|------------|
| | Military P/N | APCD P/N | QTY* | Size ¹ | P/N M39029 |
| | M81714/60-22-01 | SJM022100 | 20 | 22/22 | /22-191 |
| | M81714/60-22-02 | SJM022200 | 20 | 22/22 | /22-191 |
| | M81714/60-22-04 | SJM022400 | 20 | 22/22 | /22-191 |
| | M81714/60-22-05 | SJM022500 | 20 | 22/22 | /22-191 |
| | M81714/60-22-06 | SJM022600 | 20 | 22/22 | /22-191 |
| | M81714/60-22-07 | SJM022700 | 20 | 22/22 | /22-191 |

* Quantity figure denotes number of contacts accommodated by module. Modules are supplied with one additional spare contacts and two sealing plugs.

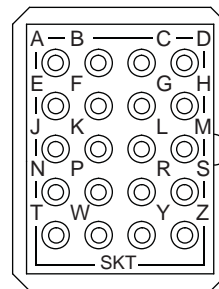
¹ Mating End / Wire Barrel.

Socket Junction Module Dimensions

Front & Side View



Top View



M81714/60-22-01 SHOWN



Amphenol Pcd

Socket Junction Modules

M81714/60-20

Series II Size 20



Operating Range

Temperature:

-65°C to 200°C

Insulation Resistance:

5000 Megaohms @ 25°C

Dielectric Withstanding Voltage:

1500 VRMS at Sea Level

200 VRMS at 110,000 ft.

Current Rating

7.5 Amps

Vibration & Shock:

MIL-T-81714 Paragraph

3.5.5 and 3.5.8

Materials

Module Body:

Polyetherimide per ASTM-D5205

Grommet:

Silicone Blend Elastomer per A-A-59588

Contact Retainers:

Stainless Steel

Internal Pin and Socket Contacts:

Copper Alloy, Hard Gold Plated in

Accordance with MIL-G-45204

Amphenol Pcd Socket Junction Modules

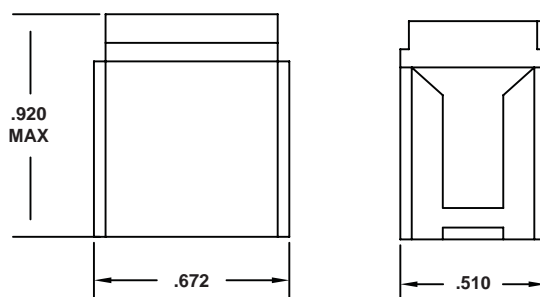
| Bussing Configurations | Part Numbers | | Contact | | |
|------------------------|-----------------|-----------|---------|-------------------|------------|
| | Military P/N | APCD P/N | QTY* | Size ¹ | P/N M39029 |
| | M81714/60-20-01 | SJM020100 | 12 | 20/20 | /22-192 |
| | M81714/60-20-02 | SJM020200 | 12 | 20/20 | /22-192 |
| | M81714/60-20-03 | SJM020300 | 12 | 20/20 | /22-192 |
| | M81714/60-20-04 | SJM020400 | 12 | 20/20 | /22-192 |
| | M81714/60-20-06 | SJM020600 | 12 | 20/20 | /22-192 |

* Quantity figure denotes number of contacts accommodated by module. Modules are supplied with one additional spare contacts and two sealing plugs.
¹ Mating End / Wire Barrel.

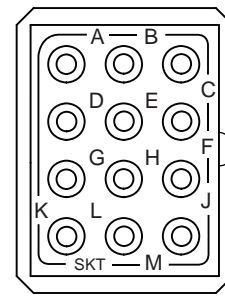


Socket Junction Module Dimensions

Front & Side View



Top View



M81714/60-20-01 SHOWN

M81714/60-16

Series II Size 16

Operating Range

Temperature:

-65°C to 200°C

Insulation Resistance:

5000 Megaohms @ 25°C

Dielectric Withstanding Voltage:

1500 VRMS at Sea Level

200 VRMS at 110,000 ft.

Current Rating

13 Amps

Vibration & Shock:

MIL-T-81714 Paragraph

3.5.5 and 3.5.8

Materials

Module Body:

Polyetherimide per ASTM-D5205

Grommet:

Silicone Blend Elastomer per A-A-59588

Contact Retainers:

Stainless Steel

Internal Pin and Socket Contacts:

Copper Alloy, Hard Gold Plated in
Accordance with MIL-G-45204

Socket Junction Modules



Amphenol Pcd Socket Junction Modules

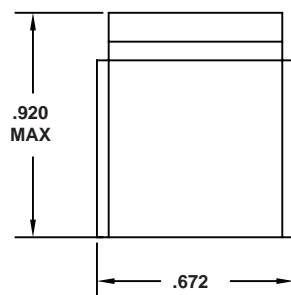
| Bussing Configurations | Part Numbers | | Contact | | |
|------------------------|-----------------|-----------|---------|-------------------|------------|
| | Military P/N | APCD P/N | QTY* | Size ¹ | P/N M39029 |
| | M81714/60-16-01 | SJM016100 | 6 | 16/16 | /22-193 |
| | M81714/60-16-02 | SJM016200 | 6 | 16/16 | /22-193 |
| | M81714/60-16-03 | SJM016300 | 6 | 16/16 | /22-193 |

* Quantity figure denotes number of contacts accommodated by module. Modules are supplied with one additional spare contacts and two sealing plugs.

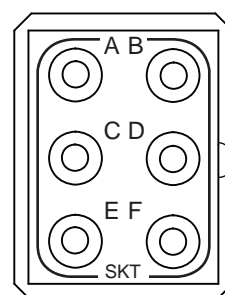
¹ Mating End / Wire Barrel.

Socket Junction Module Dimensions

Front & Side View



Top View



M81714/60-16-01 SHOWN



Amphenol Pcd

Socket Junction Modules

M81714/60-12

Series II Size 12



Operating Range

Temperature:

-65°C to 200°C

Insulation Resistance:

5000 Megaohms @ 25°C

Dielectric Withstanding Voltage:

1500 VRMS at Sea Level

200 VRMS at 110,000 ft.

Current Rating

23 Amps

Vibration & Shock:

MIL-T-81714 Paragraph

3.5.5 and 3.5.8

Materials

Module Body:

Polyetherimide per ASTM-D5205

Grommet:

Silicone Blend Elastomer per A-A-59588

Contact Retainers:

Stainless Steel

Internal Pin and Socket Contacts:

Copper Alloy, Hard Gold Plated in

Accordance with MIL-G-45204

Amphenol Pcd Socket Junction Modules

| Bussing Configurations | Part Numbers | | Contact | | |
|------------------------|-----------------|-----------|---------|-------------------|------------|
| | Military P/N | APCD P/N | QTY* | Size ¹ | P/N M39029 |
| | M81714/60-12-01 | SJM012100 | 6 | 12/12 | /22-605 |
| | M81714/60-12-02 | SJM012200 | 6 | 12/12 | /22-605 |
| | M81714/60-12-03 | SJM012300 | 6 | 12/12 | /22-605 |

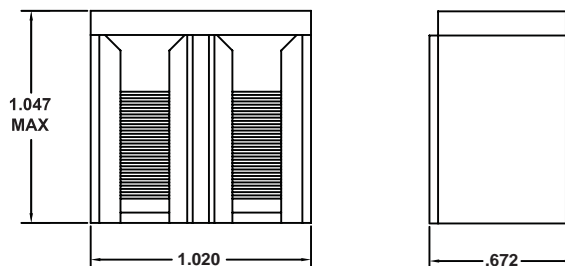
* Quantity figure denotes number of contacts accommodated by module. Modules are supplied with one additional spare contacts and two sealing plugs.

¹ Mating End / Wire Barrel.



Socket Junction Module Dimensions

Front & Side View



Top View



M81714/60-12-01 SHOWN

M81714/61 Series II

Distribution Socket Junction Modules

Socket Junction Modules

Operating Range

Temperature:

-65°C to 200°C

Insulation Resistance:

5000 Megaohms @ 25°C

Dielectric Withstanding Voltage:

1500 VRMS at Sea Level

200 VRMS at 110,000 ft.

Current Rating

5 Amps (Size 22)

7.5 Amps (Size 20)

13 Amps (Size 16)

23 Amps (Size 12)

Vibration & Shock:

MIL-T-81714 Paragraph

3.5.5 and 3.5.8

Materials

Module Body:

Polyetherimide per ASTM-D5205

Grommet:

Silicone Blend Elastomer per A-A-59588

Contact Retainers:

Stainless Steel

Internal Pin and Socket Contacts:

Copper Alloy, Hard Gold Plated in Accordance with MIL-G-45204



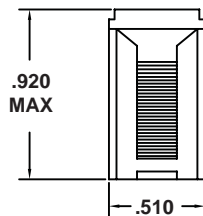
Amphenol Pcd Socket Junction Modules

| Bussing Configurations | Part Numbers | | Contact | | | Bussing |
|------------------------|--------------|-----------|---------|------|------------|---|
| | Military P/N | APCD P/N | QTY | Size | P/N M39029 | Bus Description |
| | M81714/61-0Z | SJM000100 | 6 | 16 | /22-193 | 1 BUS TWO SIZE 12 & SIX SIZE 16 |
| | | | 2 | 12 | /22-605 | |
| | M81714/61-0Y | SJM000800 | 6 | 20 | /22-192 | 1 BUS TWO SIZE 16 & SIX SIZE 20 |
| | | | 2 | 16 | /22-193 | |
| | M81714/61-0X | SJM000200 | 6 | 16 | /22-193 | 2 BUSES ONE SIZE 12 & THREE SIZE 16 PER BUS |
| | | | 2 | 12 | /22-605 | |
| | M81714/61-0W | SJM000500 | 5 | 22 | /22-191 | 5 BUSES ONE SIZE 22 & ONE SIZE 20 & ONE SIZE 16 PER BUS |
| | | | 5 | 20 | /22-192 | |
| | | | 5 | 16 | /22-193 | |

Socket Junction Module Dimensions

Front View

M81714/61-0Y

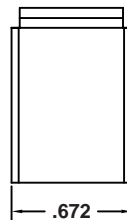


M81714/61-0Z, M81714/61-0X, M81714/61-0W

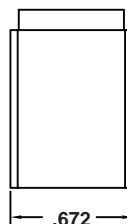


Side View

M81714/61-0Y



M81714/61-0Z, M81714/61-0X, M81714/61-0W



Product Description

Distribution Socket Junction Modules are available in a variety of MIL-T-81714 configurations, feature the same construction and features as the standard Series II high density modules, and are recommended for power distribution applications



Amphenol Pcd

M81714/63 Socket Ground Modules

Stud Mount Series II Size 16, 20, 22

Socket Junction Modules



Operating Range

Temperature:
-65°C to 200°C

Current Rating
5 Amps (Size 22)
7.5 Amps (Size 20)
13 Amps (Size 16)

Vibration & Shock:
MIL-T-81714 Paragraph
3.5.5 and 3.5.8

Materials

Module Body:
Polyetherimide per ASTM-D5205

Grommet:
Silicone Blend Elastomer per A-A-59588

Stud / Shell:
Copper Alloy, Gold Plated per
SAE-AMS-2422. Tin Plating per
ASTM-B545 Also Available as an Alternate

Contact Retainers:
Stainless Steel

Socket Contacts:
Copper Alloy, Hard Gold Plated in
Accordance with MIL-G-45204

Socket Grounding Modules Part Numbers

Product Description

M81714/63, stud mount, socket grounding modules mount directly to a ground plane or ground lug creating a multi-wire sealed grounding device. The grounding modules could also be mounted to a bus bar for power distribution, sensing or metering. All mounting hardware is furnished and custom hardware configurations are available. The mounting stud is available in gold or tin plating.

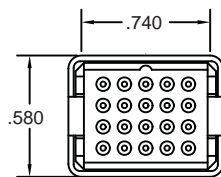


| Part Numbers | | | Contact | | Stud |
|---------------|-----------|------|-------------------|------------|---------|
| Military P/N | APCD P/N | QTY* | Size ¹ | P/N M39029 | Plating |
| M81714/63-22S | SJG022170 | 20 | 22/22 | /22-191 | Gold |
| | SJG022100 | 20 | 22/22 | /22-191 | Tin |
| M81714/63-20S | SJG020170 | 12 | 20/20 | /22-192 | Gold |
| | SJG020100 | 12 | 20/20 | /22-192 | Tin |
| M81714/63-16S | SJG016170 | 6 | 16/16 | /22-193 | Gold |
| | SJG016100 | 6 | 16/16 | /22-193 | Tin |

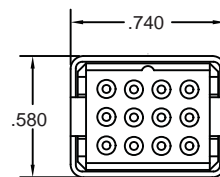
* Quantity figure denotes number of contacts accommodated by module. Modules are supplied with one additional spare contacts and two sealing plugs
¹ Mating End/ Wire Barrel

Socket Junction Module Dimensions

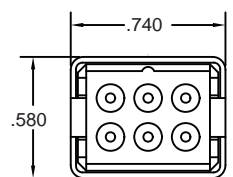
Top View



Size 22

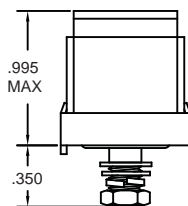


Size 20

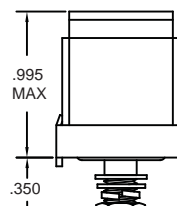


Size 16

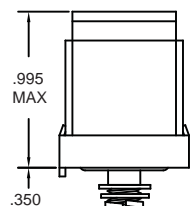
Side View



Size 22



Size 20



Size 16

M81714/63 Socket Ground Modules

Flange Mount Series II Size 12, 16, 20, 22

Operating Range

Temperature:

-65°C to 200°C

Current Rating

5 Amps (Size 22)

7.5 Amps (Size 20)

13 Amps (Size 16)

23 Amps (Size 12)

Vibration & Shock:

MIL-T-81714 Paragraph

3.5.5 and 3.5.8

Materials

Module Body:

Polyetherimide per ASTM-D5205

Grommet:

Silicone Blend Elastomer per A-A-59588

Flange / Shell:

Copper Alloy, Gold Plated per SAE-AMS-2422. Tin Plating per ASTM-B545 Also Available as an Alternate

Contact Retainers:

Stainless Steel

Socket Contacts:

Copper Alloy, Hard Gold Plated in Accordance with MIL-G-45204

Socket Junction Modules



Socket Grounding Modules Part Numbers

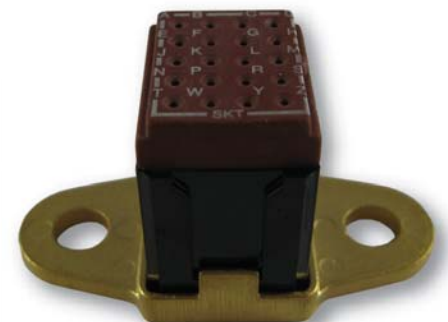
| Part Numbers | | | Contact | | Flange |
|---------------|-----------|------|-------------------|------------|---------|
| Military P/N | APCD P/N | QTY* | Size ¹ | P/N M39029 | Plating |
| M81714/63-22F | SJG022270 | 20 | 22/22 | /22-191 | Gold |
| | SJG022200 | 20 | 22/22 | /22-191 | Tin |
| M81714/63-20F | SJG020270 | 12 | 20/20 | /22-192 | Gold |
| | SJG020200 | 12 | 20/20 | /22-192 | Tin |
| M81714/63-16F | SJG016270 | 6 | 16/16 | /22-193 | Gold |
| | SJG016200 | 6 | 16/16 | /22-193 | Tin |
| M81714/63-12F | SJG012270 | 6 | 12/12 | /22-605 | Gold |
| | SJG012200 | 6 | 12/12 | /22-605 | Tin |

* Quantity figure denotes number of contacts accommodated by module. Modules are supplied with one additional spare contacts and two sealing plugs

¹ Mating End/ Wire Barrel

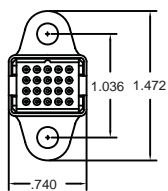
Product Description

M81714/ 63, flange mount, socket grounding modules mount directly to a ground plane or ground lug creating a multi-wire sealed grounding device. The grounding modules could also be mounted to a bus bar for power distribution, sensing or metering. All mounting hardware is furnished and custom hardware configurations are available. The mounting stud is available in gold or tin plating.

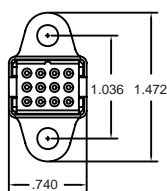


Socket Junction Module Dimensions

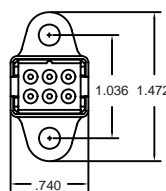
Top View



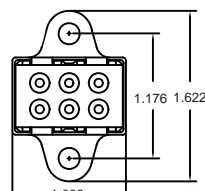
Size 22



Size 20

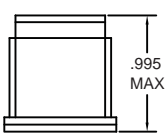


Size 16

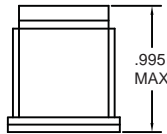


Size 12

Side View



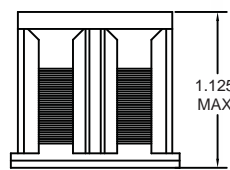
Size 22



Size 20



Size 16



Size 12

Amphenol Pcd

Socket Junction Modules



Board Mount Socket Junction Modules Series II Size 12, 16, 20, 22

Operating Range

Temperature:

-65°C to 125°C

Insulation Resistance:

1000 Megaohms Min.

Dielectric Withstanding Voltage:

1500 VRMS at Sea Level

200 VRMS at 80,000 ft.

Current rating:

5 Amps (Size 22)

7.5 Amps (Size 20)

13 Amps (Size 16)

23 Amps (Size 12)

Materials

Module Body:

Polytherimide per ASTM-D5205

Grommet:

Silicone Blend Elastomer per A-A-59588

Contact Retainers:

Stainless Steel

Socket Contacts:

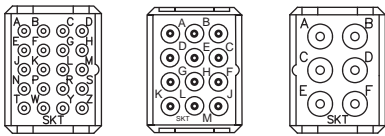
Copper Alloy, Hard Gold Plated in

Accordance with MIL-G-45204

Product Description

The socket junction modules indicate on the following pages can also be provided in a solder pin version for mounting directly to printed circuit boards, providing a flexible, compact wiring package and eliminating the need for mounting track. Please contact Amphenol Pcd for details on the SJP pin module.

Module Configurations



A

B

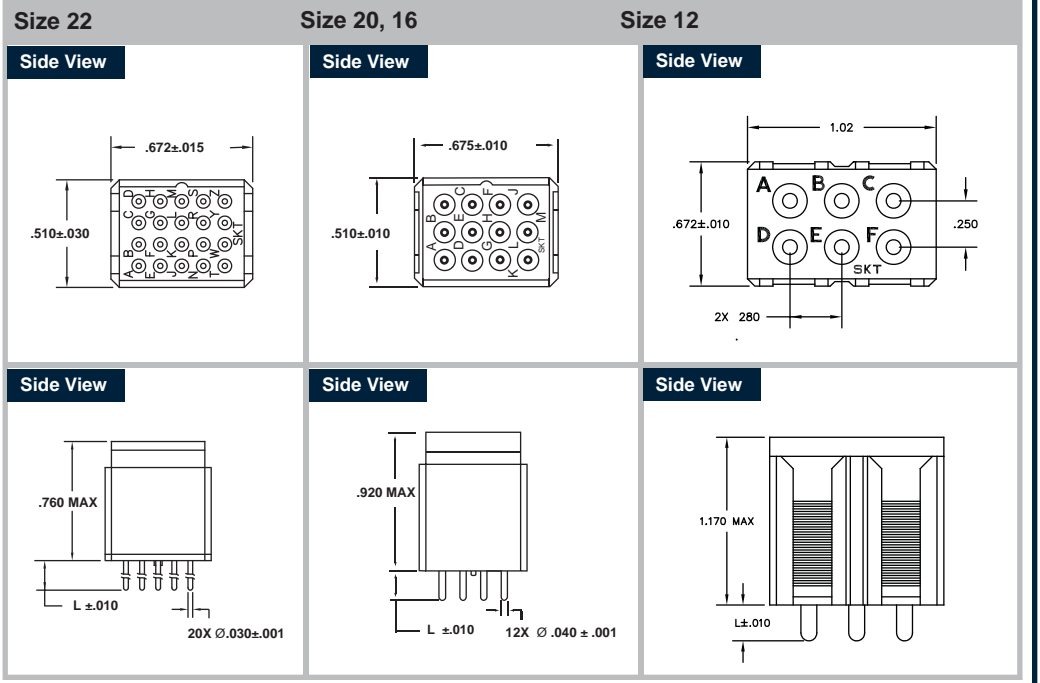
C



Board Mount Socket Junctions

| APCD P/N | QTY | Size | Contact P/N | Config. | DIM. L |
|-----------|-----|-------|---------------|---------|--------|
| SJP022000 | 20 | 22/22 | M39029/22-191 | A | .187 |
| SJP022010 | 20 | 22/22 | M39029/22-191 | A | .250 |
| SJP020000 | 12 | 20/20 | M39029/22-192 | B | .187 |
| SJP020010 | 12 | 20/20 | M39029/22-192 | B | .250 |
| SJP016000 | 6 | 16/16 | M39029/22-193 | C | .187 |
| SJP016010 | 6 | 16/16 | M39029/22-193 | C | .250 |
| SJP012000 | 6 | 12/12 | M39029/22-605 | D | .187 |
| SJP012010 | 6 | 12/12 | M39029/22-605 | D | .250 |
| SJP012010 | 6 | 12/12 | M39029/22-605 | D | .335 |

Board Mount Socket Junction Modules Dimensions



Electronic Socket Junction Modules

SJE Component Modules

Operating Range

Temperature:

-65°C to 200°C

Insulation Resistance:

5000 Megaohms Min.

Dielectric Withstanding Voltage:

1500 VRMS at Sea Level

200 VRMS at 100,000 ft.

Vibration & Shock:

Per MIL-T-81714

Paragraph 3.5.5 & 3.5.8

Materials

Insulator Body:

Polyetherimide per ASTM-D-5205

Grommet:

Silicone Rubber per A-A-59588

Internal Contact:

Copper Alloy, Gold Finish

per SAE-AMS-MIL-G-45204

Socket Junction Modules



Electronic Socket Junction Modules

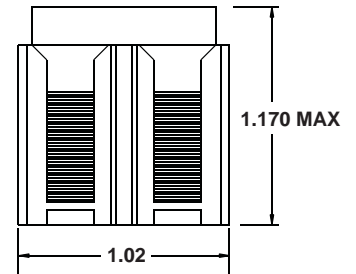
| Circuit Diagram | APCD P/N | Component | Quantity |
|-----------------|-----------|-----------|----------|
| | SJE020001 | Diode | 5 |
| | SJE020003 | Diode | 4 |
| | SJE020006 | Resistor | 5 |
| | SJE020008 | Diode | 2 |
| | SJE020009 | Diode | 5 |
| | SJE020016 | Diode | 5 |
| | SJE020017 | Resistor | 4 |
| | SJE020022 | Diode | 5 |
| | SJE020045 | Diode | 5 |
| | SJE020290 | Resistor | 2 |
| | SJE020297 | Fuse | 5 |

Product Descriptions

Amphenol Pcd's Electronic Socket Junction Modules are available with a variety of components and in a wide range of configurations. Components available include, but are not limited to, diodes, resistors, fuses, thyristors, and inductors, and are also available with multiple components within one module. There are new configurations produced regularly and customized components are also available.

Junction Module Dimensions

Side View



Top View



Amphenol Pcd

M81714/65 Sealed In-Line Splices

SJS Series II Single and Double

Socket Junction Splices



Operating Range

Temperature:
-65°C to 200°C

Insulation Resistance:
5000 Megaohms Min.

Dielectric Withstanding Voltage:
1500 VRMS at Sea Level
200 VRMS at 100,000 ft.

Vibration & Shock:
Per MIL-T-81714
Paragraph 3.5.5 & 3.5.8

Current Rating:
13 Amps (Size 16)
7.5 Amps (Size 20)
5 Amps (Size 22)

Materials

Insulator Body:
Polyetherimide per ASTM-D-5205

Grommet:
Silicone Rubber per A-A-59588

Internal Contact:
Copper Alloy, Gold Finish
Accordance with MIL-G-45204

Product Description

Series II In-Line Splices are available in single and double configurations in sizes 16, 20, and 22 AWG. These M81714/65 Splices use the same advanced polyetherimide body, one-piece bus assembly and construction as Amphenol Pcd's other M81714 connectors.

Single SJS Splices

| | Military P/N | APCD P/N | Ø Diameter |
|--|----------------|-----------|------------|
| | M81714/65-16-1 | SJS316700 | .324 Max |
| | M81714/65-20-1 | SJS320700 | .290 Max |
| | M81714/65-22-1 | SJS322700 | .230 Max |

Sealed Splice Contacts

| In-Line Splice | Contact |
|----------------|---------------|
| M81714/65-16-1 | M39029/22-193 |
| M81714/65-20-1 | M39029/22-192 |
| M81714/65-22-1 | M39029/22-191 |
| M81714/65-16-2 | M39029/22-193 |
| M81714/65-20-2 | M39029/22-192 |
| M81714/65-22-2 | M39029/22-191 |

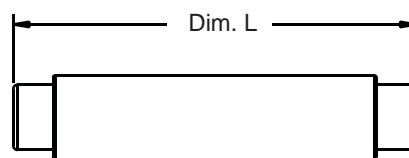
Double SJS Splices

| | Military P/N | APCD P/N | A | B | C |
|--|----------------|-----------|----------|----------|----------|
| | M81714/65-16-2 | SJS316701 | .548 Max | .304 Max | .180 Max |
| | M81714/65-20-2 | SJS320701 | .481 Max | .271 Max | .150 Max |
| | M81714/65-22-2 | SJS322701 | .384 Max | .204 Max | .120 Max |

Splice Dimensions

SJS Single Splice

Side View

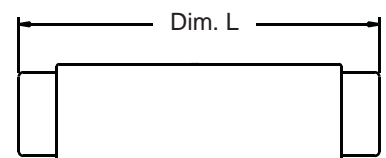


Wire Size Dimension L

| | |
|---------|-----------|
| Size 16 | 1.452 Max |
| Size 20 | 1.434 Max |
| Size 22 | 1.310 Max |

SJS Double Splice

Side View



Wire Size Dimension L

| | |
|---------|-----------|
| Size 16 | 1.428 Max |
| Size 20 | 1.428 Max |
| Size 22 | 1.322 Max |

M81714/67 Series II

Socket Junction Module Mounting Tracks

Operating Range

Temperature:

-65° to 200°C

Corrosion:

No Exposure of Base Metal
After 48 Hours of Salt Spray

Magnetic Permeability:

2.0 MU Max.

Vibration and Shock:

Per MIL-T-81714 Paragraph

3.5.5 and 3.5.8

Materials

Rail:

Aluminum Alloy, Black Anodized

Spring Clips:

Stainless Steel

Rivets:

Stainless Steel

Socket Junction Modules



Socket Junction Modules Mounting Tracks

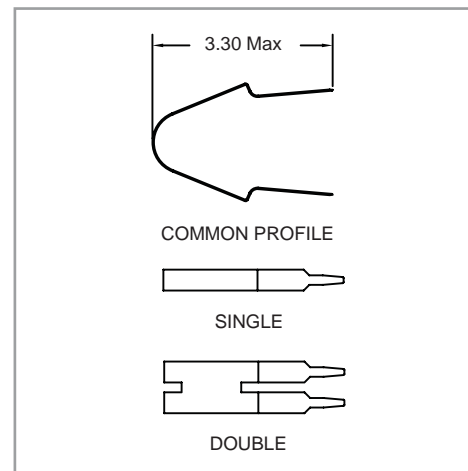
| Military P/N | APCD | Mounting Pos.* | Dimensions | |
|--------------|-----------|----------------|------------|--------|
| | | | A | B |
| M81714/67-02 | SJT502404 | 2 | 1.036 | 0.518 |
| M81714/67-03 | SJT503404 | 3 | 1.554 | 1.036 |
| M81714/67-04 | SJT504404 | 4 | 2.072 | 1.554 |
| M81714/67-05 | SJT505404 | 5 | 2.590 | 2.072 |
| M81714/67-06 | SJT506404 | 6 | 3.108 | 2.590 |
| M81714/67-07 | SJT507404 | 7 | 3.626 | 3.108 |
| M81714/67-08 | SJT508404 | 8 | 4.144 | 3.626 |
| M81714/67-09 | SJT509404 | 9 | 4.662 | 4.144 |
| M81714/67-10 | SJT510404 | 10 | 5.180 | 4.662 |
| M81714/67-12 | SJT512404 | 12 | 6.216 | 5.698 |
| M81714/67-13 | SJT513404 | 13 | 6.734 | 6.216 |
| M81714/67-14 | SJT514404 | 14 | 7.252 | 6.734 |
| M81714/67-15 | SJT515404 | 15 | 7.770 | 7.252 |
| M81714/67-16 | SJT516404 | 16 | 8.288 | 7.770 |
| M81714/67-18 | SJT518404 | 18 | 9.324 | 8.806 |
| M81714/67-19 | SJT519404 | 19 | 9.842 | 9.324 |
| M81714/67-20 | SJT520404 | 20 | 10.360 | 9.842 |
| M81714/67-21 | SJT521404 | 21 | 10.878 | 10.360 |
| M81714/67-25 | SJT525404 | 25 | 12.950 | 12.432 |
| M81714/67-30 | SJT530404 | 30 | 15.540 | 15.022 |
| M81714/67-32 | SJT532404 | 32 | 16.576 | 16.058 |
| M81714/67-40 | SJT540404 | 40 | 20.720 | 20.202 |

*Size 12 Modules require two mounting positions

Removal Tools

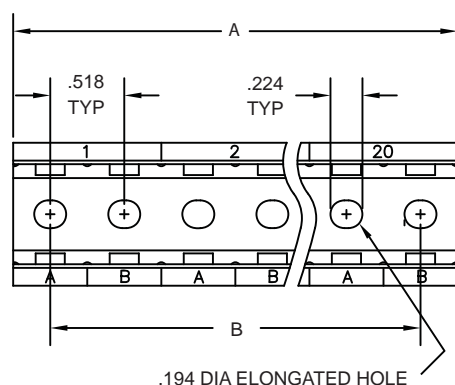
| MIL P/N | APCD P/N | Description |
|--------------|-----------|-------------|
| M81714/69-01 | CNA051300 | Single |
| M81714/69-02 | CNA052300 | Double |

Removal Tools

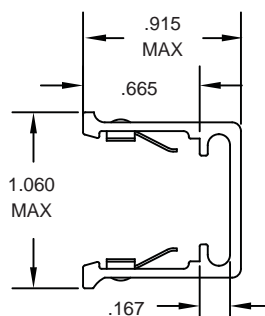


Socket Junction Track Dimensions

Top View



Cross Section



Amphenol Pcd

M81714/67 Series II

Composite Socket Junction Module Mounting Tracks

Socket Junction Modules



Operating Range

Temperature:

-65° to 175°C

Vibration and Shock:

Per MIL-T-81714 Paragraph

3.5.5 and 3.5.8

Materials

Rail:

Glass Filled Polyetherimide,

Color: Black

Product Description

The SJTC Mounting Track is fabricated of glass-filled polyetherimide which was selected for its unique combination of high strength, lightweight, chemical resistance and dimensional stability. The track is available with 2 through 20 mounting positions and is inter-changeable with existing aluminum track. The new track is 45% lighter than the aluminum track and 10% lighter than any other series II track available, and meets all dimensional requirements of MIL-T-81714.

Composite Socket Junction Module Mounting Tracks

| Military Equivalent P/N | APCD P/N | Mounting Pos. | Dimensions | |
|-------------------------|-----------|---------------|------------|-------|
| | | | A | B |
| M81714/67-02 | SJTC02000 | 2 | 1.036 | 0.518 |
| M81714/67-03 | SJTC03000 | 3 | 1.554 | 1.036 |
| M81714/67-04 | SJTC04000 | 4 | 2.072 | 1.554 |
| M81714/67-05 | SJTC05000 | 5 | 2.590 | 2.072 |
| M81714/67-06 | SJTC06000 | 6 | 3.108 | 2.590 |
| M81714/67-07 | SJTC07000 | 7 | 3.626 | 3.108 |
| M81714/67-08 | SJTC08000 | 8 | 4.144 | 3.626 |
| M81714/67-09 | SJTC09000 | 9 | 4.662 | 4.144 |
| M81714/67-10 | SJTC10000 | 10 | 5.180 | 4.662 |
| | SJTC11000 | 11 | 5.698 | 5.180 |
| M81714/67-12 | SJTC12000 | 12 | 6.216 | 5.698 |
| M81714/67-13 | SJTC13000 | 13 | 6.734 | 6.216 |
| M81714/67-14 | SJTC14000 | 14 | 7.252 | 6.734 |
| M81714/67-15 | SJTC15000 | 15 | 7.770 | 7.252 |
| M81714/67-16 | SJTC16000 | 16 | 8.288 | 7.770 |
| | SJTC17000 | 17 | 8.806 | 8.288 |
| M81714/67-18 | SJTC18000 | 18 | 9.324 | 8.806 |
| M81714/67-19 | SJTC19000 | 19 | 9.842 | 9.324 |
| M81714/67-20 | SJTC20000 | 20 | 10.360 | 9.842 |

*Size 12 Modules require two mounting positions

Removal Tools

| MIL P/N | APCD P/N | Description |
|--------------|-----------|-------------|
| M81714/69-01 | CNA051300 | Single |
| M81714/69-02 | CNA052300 | Double |

Removal Tools



COMMON PROFILE



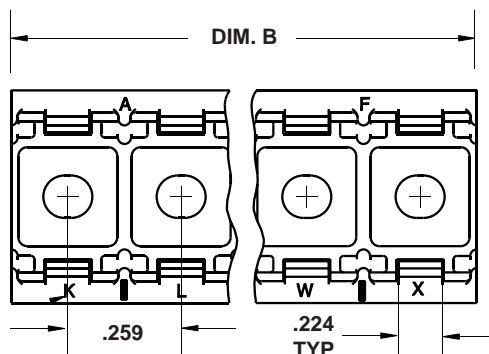
SINGLE



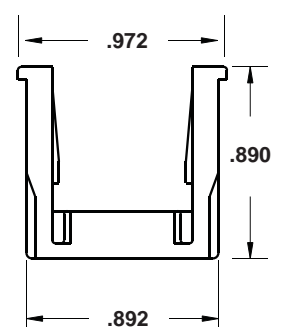
DOUBLE

Composite Socket Junction Module Mounting Tracks

Top View



Cross Section



Wire Junctions and System Attachments

MIL-T-81714, M39029, Cable Supports

Wire Junctions and Attachments

Amphenol Pcd offers a variety of Junctions, Splices, Contacts, and Attachments for a wide range of wiring applications. Amphenol Pcd welcomes customer inquiries regarding customization of existing products as well as inquiries about new products. Amphenol Pcd is committed to providing complete solutions to all interconnect requirements.



SJS In-Line Junctions



High Performance Clamps



Military Specification Contacts

Product features and Benefits

SJS In-Line Junctions

Environmentally sealed In-Line Junction Splices developed to bring higher reliability, improved installation ease, and greater flexibility to wiring applications.

High Performance Clamps

High Performance Clamps are designed to replace and outperform traditional P-Clamps & Saddle Clamps. Consisting of VICTREX® PEEK™ polymer and featuring an over-molded silicone cushion, these clamps are completely non-corrosive and non-conductive. These High Performance Clamps are designed to be lighter than traditional P-Clamps and are equipped with a locking feature to streamline installation.

Military Specification Contacts

Amphenol Pcd offers contacts for almost every connector, module or socket they produce. Contacts can be purchased with the parts or separately.

SJS In-Line Junctions



Single Contact In-Line Junction

SJS Plugs & Receptacles Size 16, 20

Operating Range

Temperature:

-55°C to 155°C

Insulation Resistance:

5000 Megaohms Min.

Dielectric Withstanding Voltage:

1500 VRMS at Sea Level

600 VRMS at 45,000 ft.

Vibration:

EIA-364D-028D, Test Condition V, E

Sealing:

EIA-364D-03B (55,000 ft)

Flammability Rating:

UL94, V0

CTI Rating:

UL746B, 600V

Contact Retention:

EIA-364D-029B (20lb)

Materials

Insulator Body:

Polyamide (Nylon)

Grommet:

Silicone Rubber per A-A-59588

Contact Retainers:

Stainless Steel

Product Description

Two-piece environmentally sealed In-Line Junction designed to bring higher reliability, improved installation ease, and greater flexibility to wiring applications. Developed to meet MIL-T-81714 criteria, these in-line junctions consist of compact cylindrical plug and receptacle housing, which lock firmly together with a straight push and unlock with a simple "Twist and Pull" motion. In-Line Junctions are available with protective dust covers and are available in two colors per size. Wire Size 12 SJS and panel mount versions are currently in development.

In-Line Junction Plugs

| Size | Part No. | Length | | Diameter | | Mated Length | | Color |
|------|-----------|--------|------|----------|------|--------------|------|--------|
| | | inch | cm | inch | cm | inch | cm | |
| 16 | SJS716100 | 1.13 | 2.87 | 0.39 | 0.99 | 1.65 | 4.20 | Blue |
| | SJS716110 | | | | | | | Red |
| 20 | SJS720100 | 1.11 | 2.81 | 0.39 | 0.99 | 1.70 | 4.30 | Green |
| | SJS720110 | | | | | | | Yellow |

In-Line Junction Contacts

| In-Line Junction | Contact |
|---------------------|------------------------|
| Size 16 Plugs | M39029/56-352 (socket) |
| Size 16 Receptacles | M39029/56-351 (socket) |
| Size 20 Plugs | M39029/58-364 (pin) |
| Size 20 Receptacles | M39029/58-363 (pin) |

In-Line Junction Receptacles

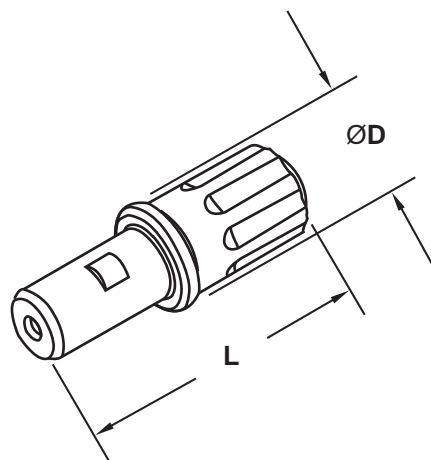
| Size | Part No. | Length | | Diameter | | Mated Length | | Color |
|------|-----------|--------|------|----------|------|--------------|------|--------|
| | | inch | cm | inch | cm | inch | cm | |
| 16 | SJS716200 | 1.06 | 2.69 | 0.43 | 1.09 | 1.65 | 4.20 | Blue |
| | SJS716210 | | | | | | | Red |
| 20 | SJS720200 | 1.03 | 2.61 | 0.39 | 0.99 | 1.70 | 4.30 | Green |
| | SJS720210 | | | | | | | Yellow |

In-Line Junction Weight

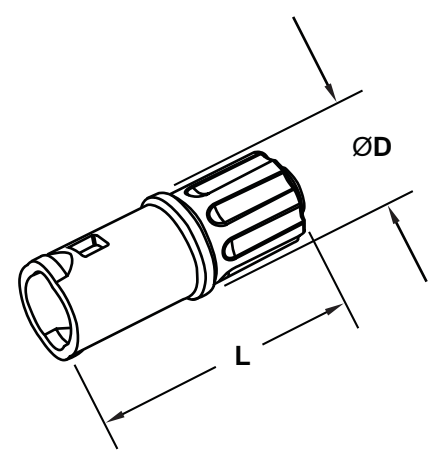
| In-Line Junction | Pounds | Grams |
|------------------|--------|-------|
| SJS716100 | .0037 | 1.70 |
| SJS716200 | .0031 | 1.40 |
| SJS720100 | .0033 | 1.50 |
| SJS720200 | .0026 | 1.20 |

In Line Junction Dimensions

In-Line Junction Plug Dimensions



In-Line Junction Receptacle Dimensions



Triple Contact In-Line Junction

SJS Plugs & Receptacles Size 16, 20

Operating Range

Temperature:

-55°C to 155°C

Insulation Resistance:

5000 Megaohms Min.

Dielectric Withstanding Voltage:

1500 VRMS at Sea Level

600 VRMS at 45,000 ft.

Vibration:

EIA-364D-028D, Test Condition V, E

Sealing:

EIA-364D-03B (55,000ft)

Flammability Rating:

UL94, V0

CTI Rating:

UL746B, 600V

Contact Retention:

EIA-364D-029B (20lb)

Materials

Insulator Body:

Polyamide (Nylon)

Grommet:

Silicone Rubber per A-A-59588

Contact Retainers:

Stainless Steel

SJS In-Line Junctions



Product Description

Two-piece environmentally sealed In-Line Junction designed to bring higher reliability, improved installation ease, and greater flexibility to wiring applications. Developed to meet MIL-T-81714 criteria, these in-line junctions consist of compact cylindrical plug and receptacle housing, which lock firmly together with a straight push and unlock with a simple "Squeeze and Pull" motion. The In-Line Junctions are keyed according to color and size and are available in three colors per size. Protective dust caps are also available. A panel mount version is currently in development.

In-Line Junction Plugs

| Size | Part No. | Length | | Diameter | | Mated Length | | Key | Color |
|------|-----------|--------|------|----------|------|--------------|------|-----|-------|
| | | inch | cm | inch | cm | inch | cm | | |
| 16 | SJS816100 | 1.12 | 2.84 | 0.70 | 1.78 | 1.60 | 4.10 | A | Red |
| | SJS816110 | | | | | | | B | White |
| | SJS816120 | | | | | | | C | Blue |
| 20 | SJS820100 | 1.08 | 2.74 | 0.70 | 1.78 | 1.68 | 4.30 | A | Red |
| | SJS820110 | | | | | | | B | White |
| | SJS820120 | | | | | | | C | Blue |

In-Line Junction Receptacles

| Size | Part No. | Length | | Diameter | | Mated Length | | Key | Color |
|------|-----------|--------|------|----------|------|--------------|------|-----|-------|
| | | inch | cm | inch | cm | inch | cm | | |
| 16 | SJS816200 | 1.03 | 2.61 | 0.70 | 1.78 | 1.60 | 4.10 | A | Red |
| | SJS816210 | | | | | | | B | White |
| | SJS816220 | | | | | | | C | Blue |
| 20 | SJS820200 | 0.99 | 2.51 | 0.70 | 1.78 | 1.68 | 4.30 | A | Red |
| | SJS820210 | | | | | | | B | White |
| | SJS820220 | | | | | | | C | Blue |

In-Line Junction Contacts

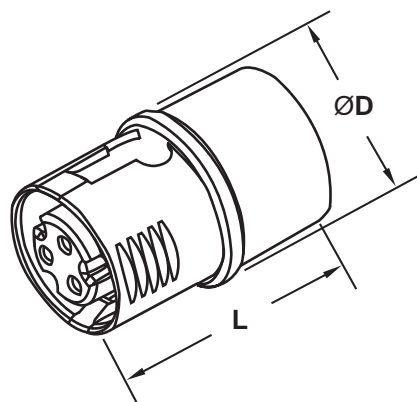
| In-Line Junction | Contact |
|---------------------|------------------------|
| Size 16 Plugs | M39029/56-352 (socket) |
| Size 16 Receptacles | M39029/56-351 (socket) |
| Size 20 Plugs | M39029/58-364 (pin) |
| Size 20 Receptacles | M39029/58-363 (pin) |

In-Line Junction Weight

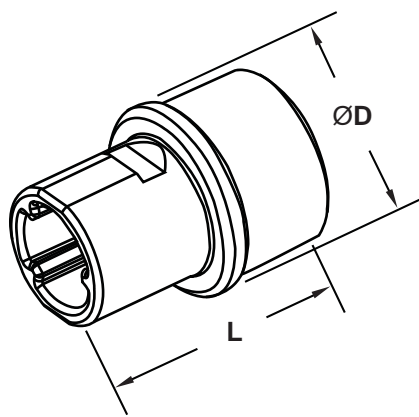
| In-Line Junction | Pounds | Grams |
|------------------|--------|-------|
| SJS816100 | .0116 | 5.30 |
| SJS816200 | .0095 | 4.30 |
| SJS820100 | .0101 | 4.60 |
| SJS820200 | .0081 | 3.70 |

Relay Socket Dimensions

In-Line Junction Plug Dimensions



In-Line Junction Receptacle Dimensions



High Performance Clamps



High Performance P-Clamp

High Strength, Lightweight Wire & Tubing Clamps

Materials

Clamp Base:

Polyetheretherketone (PEEK™)
Per MIL-P-46183

Overmolding:

Silicone Rubber per ASTM-D-2000

Performance

Temperature Limits:

Continuous: -54°C to 107°C
Excursions: up to 177°C

Flammability:

UL94, V0

Product Description

High Performance P-Clamps are designed to replace and outperform traditional clamps. Consisting of PEEK™ polymer and featuring and over-molded silicone cushion, these clamps are completely non-corrosive and non-conductive. These high performance clamps are designed to be lighter than traditional P-Clamps, are equipped with a locking feature to streamline installation, and are available in 15 different sizes. Alternate cushioning material available upon request including Fluorosilicone for fuel tank applications.

P-Clamp Weight Chart

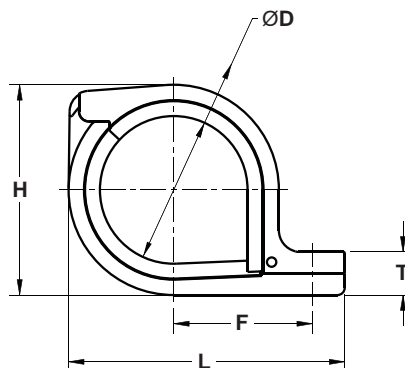
| APCD P/N | Weight (lbs) per 100 Clamps | Weight (grams) per 100 Clamps |
|-----------|--------------------------------|----------------------------------|
| PCL150101 | 0.9 | 408 |
| PCL150102 | 1.1 | 499 |
| PCL150103 | 1.5 | 681 |
| PCL150104 | 1.7 | 771 |
| PCL150105 | 1.9 | 862 |
| PCL150106 | 2.1 | 953 |
| PCL150107 | 2.6 | 1180 |
| PCL150108 | 2.9 | 1316 |
| PCL150109 | 3.1 | 1407 |
| PCL150110 | 3.3 | 1498 |
| PCL150111 | 4.0 | 1816 |
| PCL150112 | 4.4 | 1997 |
| PCL150113 | 4.6 | 2088 |
| PCL150114 | 5.2 | 2360 |
| PCL150115 | 5.7 | 2587 |

High Performance P-Clamps

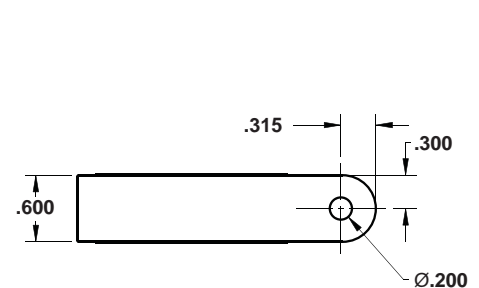
| Amphenol Pcd Part Number | Diameter | | F | | L | | H | | T | |
|-----------------------------|----------|------|------|------|------|------|------|------|------|------|
| | Inch | cm | Inch | cm | Inch | cm | Inch | cm | Inch | cm |
| PCL150101 | 0.12 | 0.32 | 0.59 | 1.51 | 1.18 | 2.99 | 0.64 | 1.62 | 0.18 | 0.46 |
| PCL150102 | 0.22 | 0.56 | 0.64 | 1.63 | 1.27 | 3.22 | 0.71 | 1.80 | 0.18 | 0.46 |
| PCL150103 | 0.31 | 0.79 | 0.71 | 1.81 | 1.41 | 3.59 | 0.82 | 2.07 | 0.24 | 0.61 |
| PCL150104 | 0.41 | 1.03 | 0.76 | 1.93 | 1.51 | 3.83 | 0.88 | 2.25 | 0.24 | 0.61 |
| PCL150105 | 0.50 | 1.27 | 0.81 | 2.05 | 1.60 | 4.07 | 0.92 | 2.33 | 0.24 | 0.61 |
| PCL150106 | 0.59 | 1.51 | 0.85 | 2.17 | 1.69 | 4.31 | 1.05 | 2.68 | 0.24 | 0.61 |
| PCL150107 | 0.69 | 1.75 | 0.93 | 2.35 | 1.84 | 4.67 | 1.20 | 3.05 | 0.30 | 0.76 |
| PCL150108 | 0.78 | 1.99 | 0.97 | 2.47 | 1.93 | 4.91 | 1.32 | 3.35 | 0.30 | 0.76 |
| PCL150109 | 0.88 | 2.22 | 1.02 | 2.59 | 2.03 | 5.15 | 1.39 | 3.53 | 0.30 | 0.76 |
| PCL150110 | 0.97 | 2.46 | 1.07 | 2.71 | 2.12 | 5.38 | 1.48 | 3.76 | 0.30 | 0.76 |
| PCL150111 | 1.06 | 2.70 | 1.14 | 2.89 | 2.26 | 5.75 | 1.62 | 4.12 | 0.36 | 0.91 |
| PCL150112 | 1.16 | 2.94 | 1.18 | 3.01 | 2.36 | 5.99 | 1.75 | 4.46 | 0.36 | 0.91 |
| PCL150113 | 1.25 | 3.18 | 1.23 | 3.13 | 2.45 | 6.23 | 1.82 | 4.63 | 0.36 | 0.91 |
| PCL150114 | 1.34 | 3.41 | 1.29 | 3.28 | 2.57 | 6.54 | 1.93 | 4.91 | 0.40 | 1.00 |
| PCL150115 | 1.44 | 3.65 | 1.35 | 3.43 | 2.69 | 6.83 | 2.05 | 5.20 | 0.42 | 1.07 |

P-Clamp Dimensions

Side View



Bottom View



High Performance Omega Clamp

High Strength, Lightweight Wire & Tubing Clamps

Materials

Clamp Base:

Polyetheretherketone (PEEK™)
per MIL-P-46183

Overmolding:

Silicone Rubber per ASTM-D-2000

Performance

Temperature Limits:

Continuous: -54°C to 107°C
Excursions: up to 177°C

Flammability:

UL94, V0

High Performance Clamps



High Performance Omega Clamps

| Amphenol Pcd Part Number | Diameter | | L | | F | | H | | C | | E | |
|--------------------------|----------|------|------|------|------|------|------|------|------|------|------|------|
| | Inch | cm | Inch | cm | Inch | cm | Inch | cm | Inch | cm | Inch | cm |
| PCL250008 | 0.45 | 1.14 | 2.19 | 5.56 | 0.78 | 1.98 | 0.91 | 2.31 | 1.56 | 3.96 | 0.20 | 0.51 |
| PCL250009 | 0.51 | 1.30 | 2.25 | 5.72 | 0.81 | 2.06 | 0.97 | 2.46 | 1.62 | 4.11 | 0.20 | 0.51 |
| PCL250010 | 0.57 | 1.45 | 2.31 | 5.87 | 0.84 | 2.13 | 1.03 | 2.62 | 1.68 | 4.27 | 0.20 | 0.51 |
| PCL250011 | 0.63 | 1.60 | 2.42 | 6.15 | 0.89 | 2.26 | 1.14 | 2.90 | 1.79 | 4.55 | 0.25 | 0.64 |
| PCL250012 | 0.70 | 1.78 | 2.49 | 6.32 | 0.93 | 2.36 | 1.21 | 3.07 | 1.86 | 4.72 | 0.25 | 0.64 |
| PCL250013 | 0.77 | 1.96 | 2.56 | 6.50 | 0.96 | 2.44 | 1.28 | 3.25 | 1.93 | 4.90 | 0.25 | 0.64 |
| PCL250014 | 0.83 | 2.11 | 2.62 | 6.65 | 1.00 | 2.54 | 1.34 | 3.40 | 1.99 | 5.05 | 0.25 | 0.64 |
| PCL250015 | 0.89 | 2.26 | 2.68 | 6.81 | 1.03 | 2.62 | 1.40 | 3.56 | 2.05 | 5.21 | 0.25 | 0.64 |
| PCL250016 | 0.95 | 2.41 | 2.79 | 7.09 | 1.08 | 2.74 | 1.51 | 3.84 | 2.16 | 5.49 | 0.30 | 0.76 |
| PCL250017 | 1.01 | 2.57 | 2.85 | 7.24 | 1.11 | 2.82 | 1.57 | 3.99 | 2.22 | 5.64 | 0.30 | 0.76 |
| PCL250018 | 1.07 | 2.72 | 2.91 | 7.39 | 1.14 | 2.90 | 1.63 | 4.14 | 2.28 | 5.79 | 0.30 | 0.76 |
| PCL250019 | 1.13 | 2.87 | 2.97 | 7.54 | 1.17 | 2.97 | 1.69 | 4.29 | 2.34 | 5.94 | 0.30 | 0.76 |
| PCL250020 | 1.20 | 3.05 | 3.07 | 7.80 | 1.22 | 3.10 | 1.79 | 4.55 | 2.44 | 6.20 | 0.33 | 0.84 |
| PCL250021 | 1.26 | 3.20 | 3.10 | 7.87 | 1.24 | 3.15 | 1.82 | 4.62 | 2.47 | 6.27 | 0.30 | 0.76 |
| PCL250022 | 1.33 | 3.38 | 3.17 | 8.05 | 1.27 | 3.23 | 1.89 | 4.80 | 2.54 | 6.45 | 0.30 | 0.76 |
| PCL250023 | 1.39 | 3.53 | 3.23 | 8.20 | 1.30 | 3.30 | 1.95 | 4.95 | 2.60 | 6.60 | 0.30 | 0.76 |
| PCL250024 | 1.45 | 3.68 | 3.29 | 8.36 | 1.33 | 3.38 | 2.01 | 5.11 | 2.66 | 6.76 | 0.30 | 0.76 |
| PCL250025 | 1.51 | 3.84 | 3.35 | 8.51 | 1.36 | 3.45 | 2.07 | 5.26 | 2.72 | 6.91 | 0.30 | 0.76 |
| PCL250026 | 1.57 | 3.99 | 3.41 | 8.66 | 1.39 | 3.53 | 2.13 | 5.41 | 2.78 | 7.06 | 0.30 | 0.76 |
| PCL250032 | 1.95 | 4.95 | 3.82 | 9.70 | 1.60 | 4.06 | 2.54 | 6.45 | 3.19 | 8.10 | 0.33 | 0.84 |

Product Description

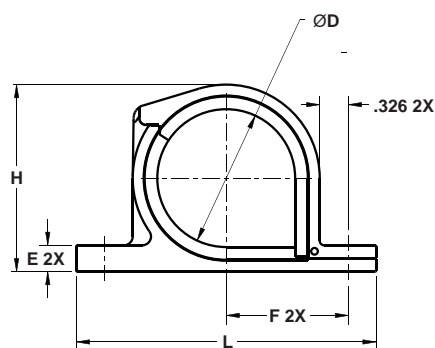
High Performance Omega Clamps are designed to replace and outperform traditional clamps. Consisting of PEEK™ polymer and featuring an over-molded silicone cushion, these clamps are completely non-corrosive and non-conductive. These high performance clamps are designed to be lighter than traditional Clamps, are equipped with a locking feature to streamline installation, and are available in 20 different sizes. Alternate cushioning material available upon request including Fluorosilicone for fuel tank applications.

Omega Clamp Weight Chart

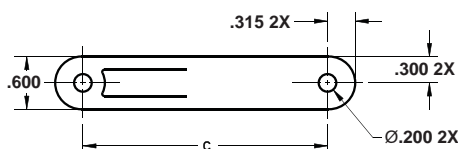
| APCD P/N | Weight (lbs) per 100 Clamps | Weight (grams) per 100 Clamps |
|-----------|-----------------------------|-------------------------------|
| PCL250008 | 2.0 | 907 |
| PCL250009 | 2.1 | 952 |
| PCL250010 | 2.2 | 997 |
| PCL250011 | 2.9 | 1315 |
| PCL250012 | 3.0 | 1360 |
| PCL250013 | 3.2 | 1451 |
| PCL250014 | 3.3 | 1496 |
| PCL250015 | 3.4 | 1542 |
| PCL250016 | 4.2 | 1905 |
| PCL250017 | 4.4 | 1995 |
| PCL250018 | 4.5 | 2041 |
| PCL250019 | 4.7 | 2131 |
| PCL250020 | 5.3 | 2404 |
| PCL250021 | 5.0 | 2268 |
| PCL250022 | 5.2 | 2358 |
| PCL250023 | 5.3 | 2404 |
| PCL250024 | 5.4 | 2449 |
| PCL250025 | 5.6 | 2540 |
| PCL250026 | 5.7 | 2585 |
| PCL250032 | 7.3 | 3311 |

P-Clamp Dimensions

Side View



Bottom View



Power Distribution Bus



Power Bus 3

Power Distribution Bus

Materials
Module Body:
 Polyetherimide
 per ASTM-D5205
Color:
 Gray
Socket Contact Retainers:
 Beryllium Copper
Bus Bar and Pin Contacts:
 Copper, Nickel Plated per
 SAE-AMS-QQ-N-29C, Class I
Marking:
 High Temperature epoxy ink
 (Colors Optional)

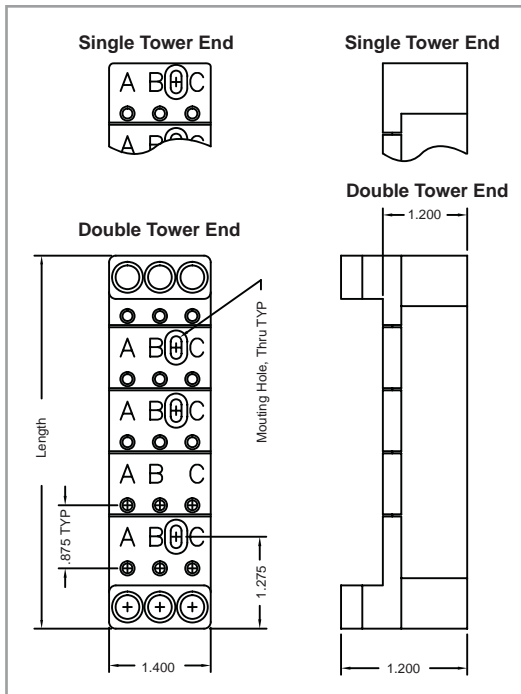
Operating Range
Temperature:
 -55°C to 80°C
Voltage:
 1000 Volts AC RMS Max
Current:
 73 Amps Max
Vibration:
 MIL-STD-202, Method 204,
 Test Condition D
Shock:
 MIL-STD-202, Method 213,
 Test Condition K
 Fluid

Operating Range (cont.)
Thermal Shock:
 MIL-STD-202, Method 107,
 Test Condition B
Salt Spray:
 MIL-STD-202, Method 101,
 Test Condition B
Humidity:
 MIL-STD-202, Method 106
 (No Vibration Step 7B)
Contact Retention:
 16 ga. Contact = 30 lbs Min.
 8 ga. Contact = 55 lbs Min.
Fluid Immersion:
 Materials and Marking Shall Be
 Resistant to Skydrol LD-4 and
 MIL-H-83282 Hydraulic

Product Description

Power Bus 3 is a lightweight, compact and fully enclosed 3-phase, 73 amp, 1000 VAC power distribution bus for aircraft and other applications. The unique Power Bus 3 provides significant advantages in terms of size and weight reduction and strength increases over existing power bus devices. The construction features a rigid extruded polyetherimide channel that contains and isolates the three bus phases in individual chambers. Stackable modular sections are welded ultrasonically to the extrusion to build the Power bus 3 to any desired length.

Power Bus Dimensions



Amphenol Pcd Power Bus

Single Tower End

| Output Sets | APCD P/N | Length |
|-------------|-----------|--------|
| 5 | SSM300105 | 4.300 |
| 6 | SSM300106 | 5.175 |
| 7 | SSM300107 | 6.050 |
| 9 | SSM300108 | 6.925 |
| 9 | SSM300109 | 7.800 |
| 10 | SSM300110 | 8.675 |
| 11 | SSM300111 | 9.550 |
| 12 | SSM300112 | 10.425 |
| 13 | SSM300113 | 11.300 |
| 14 | SSM300114 | 12.175 |
| 15 | SSM300115 | 13.050 |
| 16 | SSM300116 | 13.925 |
| 17 | SSM300117 | 14.800 |
| 18 | SSM300118 | 15.675 |
| 19 | SSM300119 | 16.550 |
| 20 | SSM300120 | 17.425 |
| 21 | SSM300121 | 18.300 |
| 22 | SSM300122 | 19.175 |
| 23 | SSM300123 | 20.050 |
| 24 | SSM300124 | 20.925 |
| 25 | SSM300125 | 21.800 |
| 26 | SSM300126 | 22.675 |
| 27 | SSM300127 | 23.550 |
| 28 | SSM300128 | 24.425 |
| 29 | SSM300129 | 25.300 |
| 30 | SSM300130 | 26.175 |
| 31 | SSM300131 | 27.050 |
| 32 | SSM300132 | 27.925 |
| 33 | SSM300133 | 28.800 |
| 34 | SSM300134 | 29.675 |
| 35 | SSM300135 | 30.550 |
| 36 | SSM300136 | 31.425 |

Double Tower End

| Output Sets | APCD P/N | Length |
|-------------|-----------|---------|
| 5 | SSM300205 | 5.175 |
| 6 | SSM300206 | 6.050 |
| 7 | SSM300207 | 6.925 |
| 9 | SSM300208 | 7.800 |
| 9 | SSM300209 | 8.675 |
| 10 | SSM300210 | 9.550 |
| 11 | SSM300211 | 10.425 |
| 12 | SSM300212 | 11.300 |
| 13 | SSM300213 | 12.175 |
| 14 | SSM300214 | 13.050 |
| 15 | SSM300215 | 13.925 |
| 16 | SSM300216 | 14.800 |
| 17 | SSM300217 | 15.675 |
| 18 | SSM300218 | 16.550 |
| 19 | SSM300219 | 17.425 |
| 20 | SSM300220 | 18.300 |
| 21 | SSM300221 | 1*9.175 |
| 22 | SSM300222 | 20.050 |
| 23 | SSM300223 | 20.925 |
| 24 | SSM300224 | 21.800 |
| 25 | SSM300225 | 22.675 |
| 26 | SSM300226 | 23.550 |
| 27 | SSM300227 | 24.425 |
| 28 | SSM300228 | 25.300 |
| 29 | SSM300229 | 26.175 |
| 30 | SSM300230 | 27.050 |
| 31 | SSM300231 | 27.925 |
| 32 | SSM300232 | 28.800 |
| 33 | SSM300233 | 29.675 |
| 34 | SSM300234 | 30.550 |
| 35 | SSM300235 | 31.425 |
| 36 | SSM300236 | 32.300 |

Crimp Removable Socket Contacts

MIL-C-39029/5, MIL-C-39029/101

Materials:

Body:

Copper Alloy, Hard Gold
Plated per MIL-G-45204

Hood:

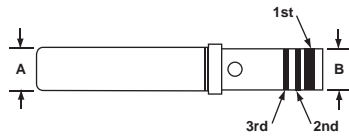
Stainless Steel Passivated

Performance:

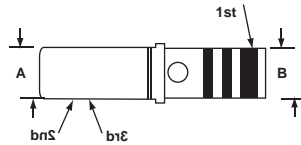
Performance:

Performance in Accord with
SAE-AS39209 and Related
Specifications

M39029/5 Contact Dimensions



M39029/101 Contact Dimensions



Contacts



Contacts By Relay Socket

M39029/5 Contacts Used with
M12883/40, /41, /47, & /48 Relay Sockets

M39029/101 Contacts Used with
M12883/44, /45, /46, & /52 Relay Sockets

Contact Design Characteristics

| Bin Code | Military P/N | APCD P/N | Pin Size | Wire Size | 1st | 2nd | 3rd | A (Max) | B (Max) |
|----------------------------|----------------|-----------|----------|-----------|--------------------|-------|--------|---------|---------|
| M39029/5 Contacts | | | | | Color Bands | | | | |
| 115 | M39029/5-115 | CNS511500 | 20 | 20 | Brown | Brown | Green | .078 | .078 |
| 116 | M39029/5-116 | CNS511600 | 16 | 16 | Brown | Brown | Blue | .113 | .103 |
| 117 | M39029/5-117 | CNS511700 | 16 | 20 | Brown | Brown | Violet | .113 | .078 |
| 118 | M39029/5-118 | CNS511800 | 12 | 12 | Brown | Brown | Gray | .161 | .151 |
| 119 | M39029/5-119 | CNS511900 | 12 | 16 | Brown | Brown | White | .161 | .103 |
| M39029/101 Contacts | | | | | Color Bands | | | | |
| 551 | M39029/101-551 | CNS101551 | 22 | 28 | Green | Green | Brown | .060 | .048 |
| 552 | M39029/101-552 | CNS101552 | 22 | 22 | Green | Green | Red | .060 | .048 |
| 553 | M39029/101-553 | CNS101553 | 20 | 20 | Green | Green | Orange | .076 | .070 |
| 554 | M39029/101-554 | CNS101554 | 16 | 16 | Green | Green | Yellow | .108 | .103 |

Contact Installation Tooling

| Bin Code | Basic Crimping Tool | Positioner | Wired Contact Installing Tool | Removal Tool |
|----------------------------|---|--|-------------------------------|--------------|
| M39029/5 Contacts | | | | |
| 115 | M22520/2-01, M22520/1-01 or M22520/7-01 | M22520/2-02, M22520/1-02 Red, or M22520/7-02 | M81969/14-02 | M81969/14-02 |
| 116 | M22520/1-01, M22520/7-01 | M22520/1-02 Blue or M22520/7-03 | M81969/14-03 | M81969/14-03 |
| 117 | M22520/1-01, M22520/7-01 | M22520/1-02 Blue or M22520/7-03 | M81969/14-02 | M81969/14-02 |
| 118 | M22520/1-01 | M22520/1-02 Yellow | M81969/14-04 | M81969/14-04 |
| 119 | M22520/1-01 | M22520/1-02 Yellow | M81969/14-03 | M81969/14-03 |
| M39029/101 Contacts | | | | |
| 551 | M22520/7-01 | M81969/7-11 | M81969/16-04 | M81969/16-04 |
| 552 | M22520/7-01 | M22520/7-11 | M81969/16-04 | M81969/16-04 |
| 553 | M22520/7-01 | M22520/7-12 | M81969/16-01 | M81969/16-01 |
| 554 | M22520/7-01 | M22520/7-13 | M81969/16-03 | M81969/16-02 |

Amphenol Pcd

Contacts



Crimp Removable Contacts

MIL-C-39029/1, MIL-C-39029/22

Materials:

Body:

Copper Alloy, Hard Gold Plated per MIL-G-45204

Hood:

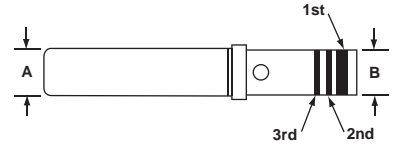
Stainless Steel Passivated

Performance:

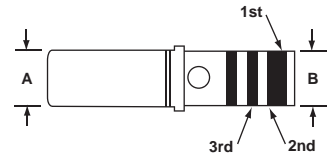
Performance:

Performance in Accord with SAE-AS39209 and Related Specifications

M39029/1 Contact Dimensions



M39029/22 Contact Dimensions



Contacts By Relay Socket

M39029/1 Contacts Used with M81714 Series I, TJE, TJSE, TJHD, and TJM Modules

M39029/22 Contacts Used with M81714/60, /61, /63, Series II Socket Junction Modules

Contact Design Characteristics

| Bin Code | Military P/N | APCD P/N | Pin Size | Wire Size | 1st | 2nd | 3rd | A (Max) | B (Max) |
|---------------------------|---------------|-----------|----------|-----------|--------------------|-------|--------|---------|---------|
| M39029/1 Contacts | | | | | Color Bands | | | | |
| 100 | M39029/1-100 | CNS068000 | 16 | 22 | Brown | Black | Black | .062 | .051 |
| 101 | M39029/1-101 | CNS060000 | 16 | 20 | Brown | Black | Brown | .063 | .078 |
| 102 | M39029/1-102 | CNS037000 | 14 | 16 | Brown | Black | Red | .078 | .105 |
| 103 | M39029/1-103 | CNS072000 | 12 | 12 | Brown | Black | Orange | .095 | .153 |
| 507 | M39029/1-507 | CNS022507 | 20 | 22D | Green | Black | Violet | .041 | .048 |
| M39029/22 Contacts | | | | | Color Bands | | | | |
| 191 | M39029/22-191 | CNS113900 | 22 | 22 | Brown | White | Brown | .060 | .048 |
| 192 | M39029/22-192 | CNS070900 | 20 | 20 | Brown | White | Red | .076 | .070 |
| 193 | M39029/22-193 | CNS072900 | 16 | 16 | Brown | White | Orange | .108 | .103 |
| 605 | M39029/22-605 | CNS123900 | 12 | 12 | Blue | Black | Green | .168 | .152 |

Contact Installation Tooling

| Bin Code | Basic Crimping Tool | Positioner | Installing Tool | Wired Contact Removal Tool |
|---------------------------|--------------------------|------------------------------|---|---|
| M39029/1 Contacts | | | | |
| 100 | M22520/2-01 | M22520/2-11 | M81969/14-02 | M81969/14-02 |
| 101 | M22520/1-01, M22520/2-01 | M22520/1-02 Red, M22520/2-11 | M81969/14-02 | M81969/14-02 |
| 102 | M22520/1-01 | M22520/1-02 Blue | M81969/14-03 | M81969/14-03 |
| 103 | M22520/1-01 | M22520/1-02 Yellow | M81969/14-04 | M81969/14-04 |
| 507 | M22520/2-01 | M22520/2-32 | M81969/14-01, or/1-04 or /8-01 or /8-02 | M81969/14-01, or/1-04 or /8-01 or /8-02 |
| M39029/22 Contacts | | | | |
| 191 | M22520/7-01 | M81969/7-11 | M81969/14-01 | M81969/14-01 |
| 192 | M22520/7-01 | M22520/7-12 | M81969/14-10 | M81969/14-10 |
| 193 | M22520/7-01 | M22520/7-13 | M81969/14-03 | M81969/14-03 |
| 605 | M22520/1-01 | Daniels, TH343 or TP405 | M81969/16-03 | M81969/16-03 |

Crimp Removable Socket Contacts

MIL-C-39029/92

Materials:

Body:

Copper Alloy, Hard Gold
Plated per MIL-G-45204

Hood:

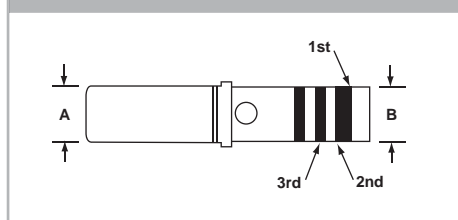
Stainless Steel Passivated

Performance:

Performance:

Performance in Accord with
MIL-C-39209 and Related
Specifications

M39029/92 Contact Dimensions



Contacts



Contacts By Relay Socket

M39029/92 Contacts Used with
M12883/40, /41, /47, /48, /54, /55 Relay Sockets

Contact Design Characteristics

| Bin Code | Military P/N | APCD P/N | Pin Size | Wire Size | 1st | 2nd | 3rd | A (Max) | B (Max) |
|---------------------------|----------------|-----------|----------|-----------|-------|--------|--------|---------|---------|
| M39029/92 Contacts | | | | | | | | | |
| 531 | M392029/92-531 | CNS115900 | 22 | 22 | Green | Orange | Brown | .062 | .053 |
| 532 | M392029/92-532 | CNS074900 | 20 | 20 | Green | Orange | Red | .078 | .078 |
| 533 | M392029/92-533 | CNS126900 | 16 | 16 | Green | Orange | Orange | .113 | .103 |
| 534 | M392029/92-534 | CNS127900 | 16 | 20 | Green | Orange | Yellow | .113 | .078 |
| 535 | M392029/92-535 | CNS128900 | 12 | 12 | Green | Orange | Green | .161 | .151 |
| 536 | M392029/92-536 | CNS129900 | 12 | 16 | Green | Orange | Blue | .161 | .103 |

Contact Installation Tooling

| Bin Code | Basic Crimping Tool | Positioner | Installing Tool | Wired Contact Removal Tool |
|---------------------------|--|--|---------------------|----------------------------|
| M39029/92 Contacts | | | | |
| 531 | M22520/2-01 | Daniels K1561 | M81969/8-03, /14-01 | M81969/8-04, /14-01 |
| 532 | M22520/1-01, M22520/2-01, M22520/7-01 | M22520/1-02 Red, M22520/2-02, M22520/7-02 | M81969/8-05, /14-02 | M81969/8-06, /14-02 |
| 533 | M22520/1-01 or M22520/7-01 | M22520/1-02 Blue or M22520/7-03 | M81969/8-07, /14-03 | M81969/8-08, /14-03 |
| 534 | M22520/1-01 or M22520/7-01 | M22520/1-02 Blue or M22520/7-03 | M81969/8-07, /14-03 | M81969/8-08, /14-03 |
| 535 | M22520/1-01 | M22520/1-02 Yellow | M81969/8-09, /14-04 | M81969/8-10, /14-04 |
| 536 | M22520/1-01 | M22520/1-02 Yellow | M81969/8-09, /14-04 | M81969/8-10, /14-04 |

Компания «Life Electronics» занимается поставками электронных компонентов импортного и отечественного производства от производителей и со складов крупных дистрибьюторов Европы, Америки и Азии.

С конца 2013 года компания активно расширяет линейку поставок компонентов по направлению коаксиальный кабель, кварцевые генераторы и конденсаторы (керамические, пленочные, электролитические), за счёт заключения дистрибьюторских договоров

Мы предлагаем:

- Конкурентоспособные цены и скидки постоянным клиентам.
- Специальные условия для постоянных клиентов.
- Подбор аналогов.
- Поставку компонентов в любых объемах, удовлетворяющих вашим потребностям.
- Приемлемые сроки поставки, возможна ускоренная поставка.
- Доставку товара в любую точку России и стран СНГ.
- Комплексную поставку.
- Работу по проектам и поставку образцов.
- Формирование склада под заказчика.
- Сертификаты соответствия на поставляемую продукцию (по желанию клиента).
- Тестирование поставляемой продукции.
- Поставку компонентов, требующих военную и космическую приемку.
- Входной контроль качества.
- Наличие сертификата ISO.

В составе нашей компании организован Конструкторский отдел, призванный помогать разработчикам, и инженерам.

Конструкторский отдел помогает осуществить:

- Регистрацию проекта у производителя компонентов.
- Техническую поддержку проекта.
- Защиту от снятия компонента с производства.
- Оценку стоимости проекта по компонентам.
- Изготовление тестовой платы монтаж и пусконаладочные работы.



Тел: +7 (812) 336 43 04 (многоканальный)

Email: org@lifeelectronics.ru